



US00D524613S

(12) **United States Design Patent**  
**Chen**

(10) **Patent No.:** **US D524,613 S**

(45) **Date of Patent:** **\*\* Jul. 11, 2006**

(54) **WRENCH**

(76) **Inventor:** **Terence Chen**, No. 325, Yung Ching Road, Lo Tung Town, Tung Shan Hsiang (TW)

(\*\*) **Term:** **14 Years**

(21) **Appl. No.:** **29/225,640**

(22) **Filed:** **Mar. 18, 2005**

(51) **LOC (8) Cl.** ..... **08-05**

(52) **U.S. Cl.** ..... **D8/25; D8/21**

(58) **Field of Classification Search** ..... D8/21-29, D8/17, 107; 81/119, 52, 60-63.2, 177.1, 81/177.2, 177.6, 177.7, 121.1, 124.3, 124.4, 81/124.6, 127.7, 125, 125.1

See application file for complete search history.

(56) **References Cited**

**U.S. PATENT DOCUMENTS**

3,269,228	A	*	8/1966	Mack	.....	81/177.6
D250,167	S	*	11/1978	D'Oporto	.....	D8/29
D271,937	S	*	12/1983	Combs	.....	D8/25
D287,456	S	*	12/1986	Kobos	.....	D8/24
4,791,837	A	*	12/1988	Main	.....	81/63.1
D332,557	S	*	1/1993	Blake et al.	.....	D8/29

D349,025	S	*	7/1994	Romero	.....	D8/25
D371,298	S	*	7/1996	Reddy et al.	.....	D8/107
D419,837	S	*	2/2000	Knox et al.	.....	D8/25
6,301,998	B1	*	10/2001	Hu	.....	81/60
6,321,623	B1	*	11/2001	Dykes et al.	.....	81/121.1
6,321,625	B1	*	11/2001	Fernandez	.....	81/176.2

\* cited by examiner

*Primary Examiner*—Raphael Barkai

*Assistant Examiner*—Randall H. Gholson

(74) *Attorney, Agent, or Firm*—Alan D. Kamrath; Nikolai & Mersereau, P.A.

(57) **CLAIM**

The ornamental design for wrench, as shown and described.

**DESCRIPTION**

FIG. 1 is a perspective view of a wrench showing my new design;

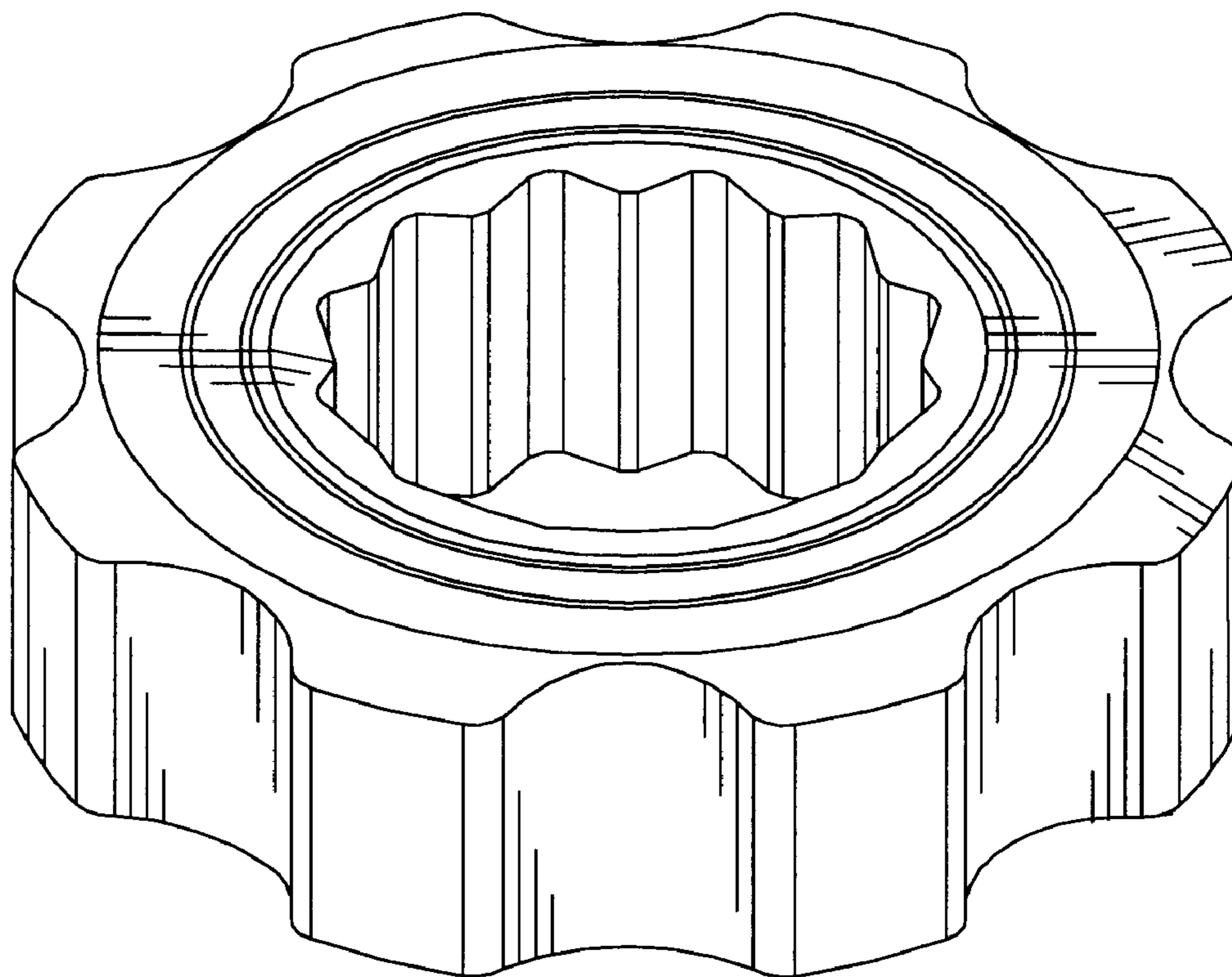
FIG. 2 is a front view thereof; the opposite side being a mirror image of the shown;

FIG. 3 is a left view thereof; the opposite side being a mirror image of the shown;

FIG. 4 is a top view thereof; and,

FIG. 5 is a bottom view thereof.

**1 Claim, 2 Drawing Sheets**



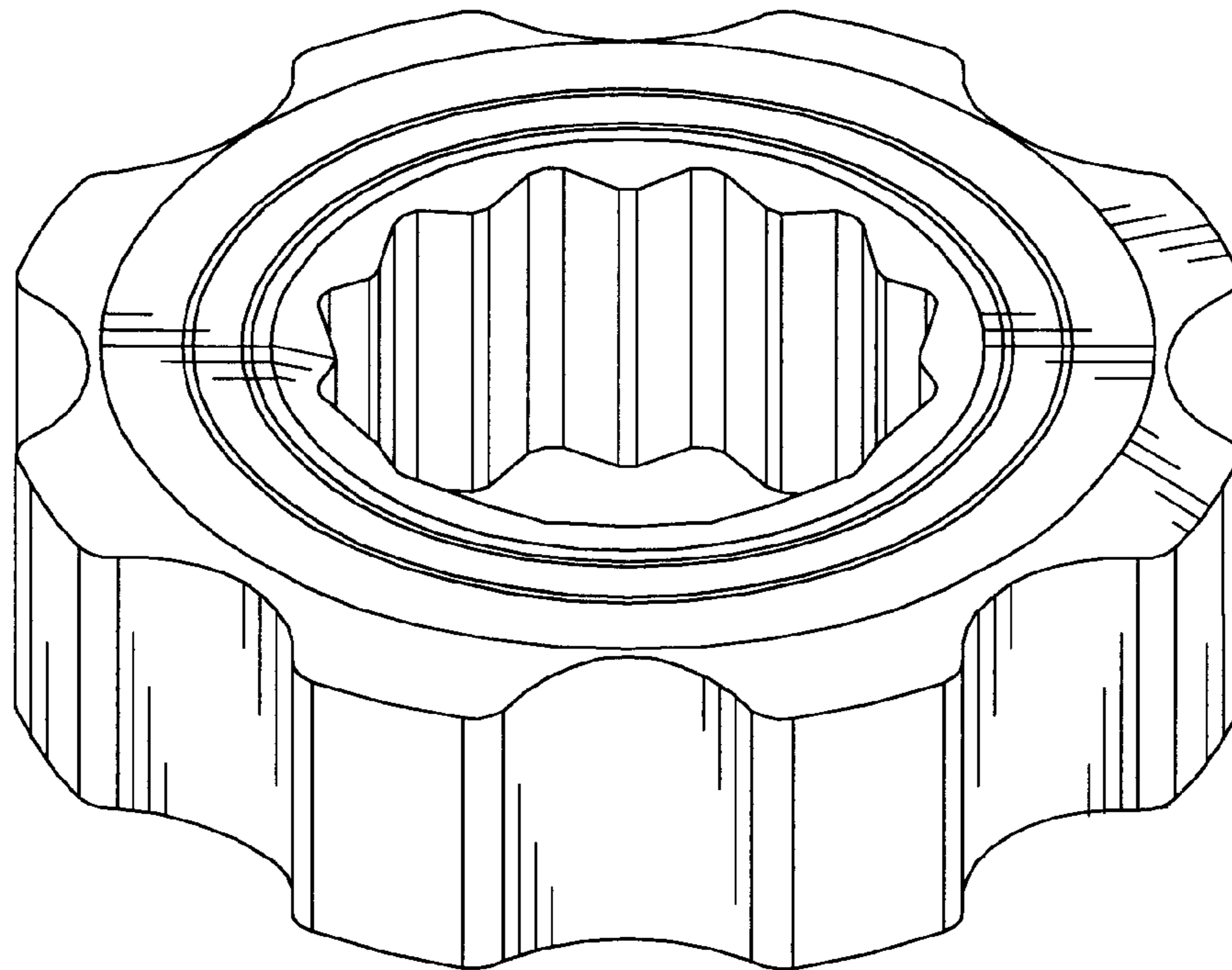


Fig.1

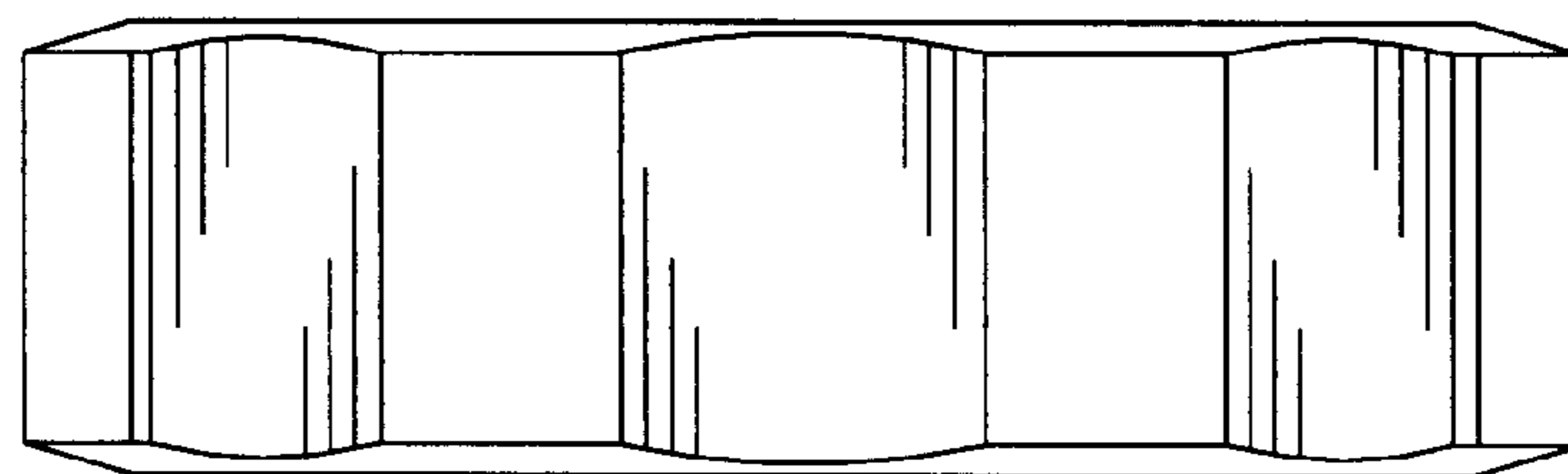


Fig.2

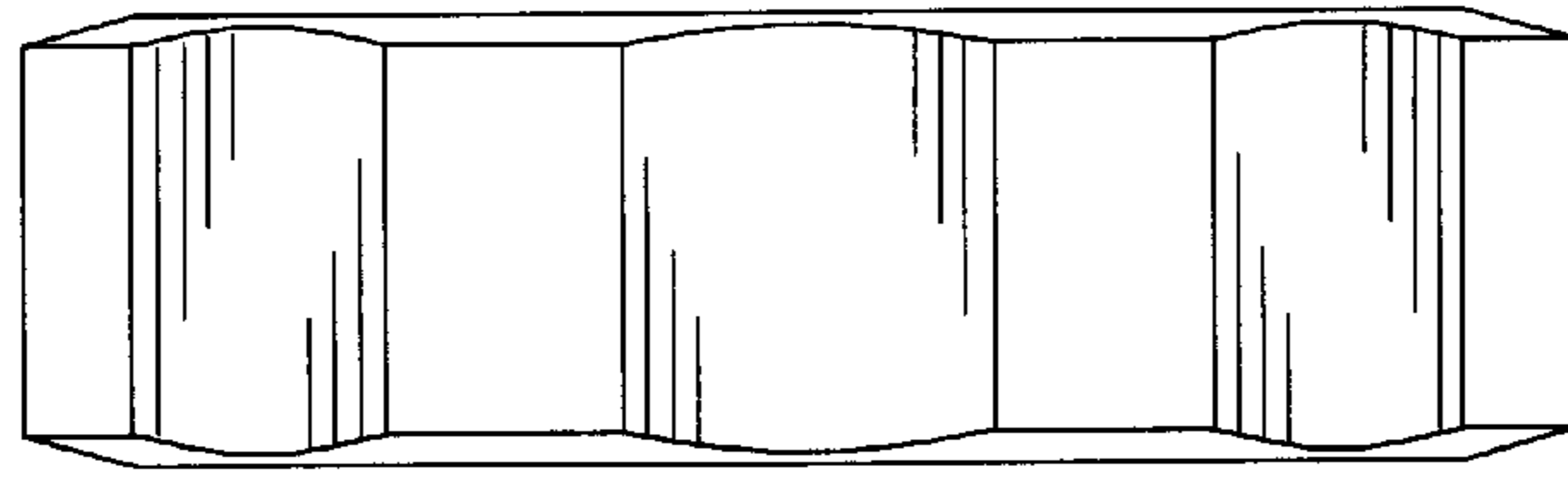


Fig.3

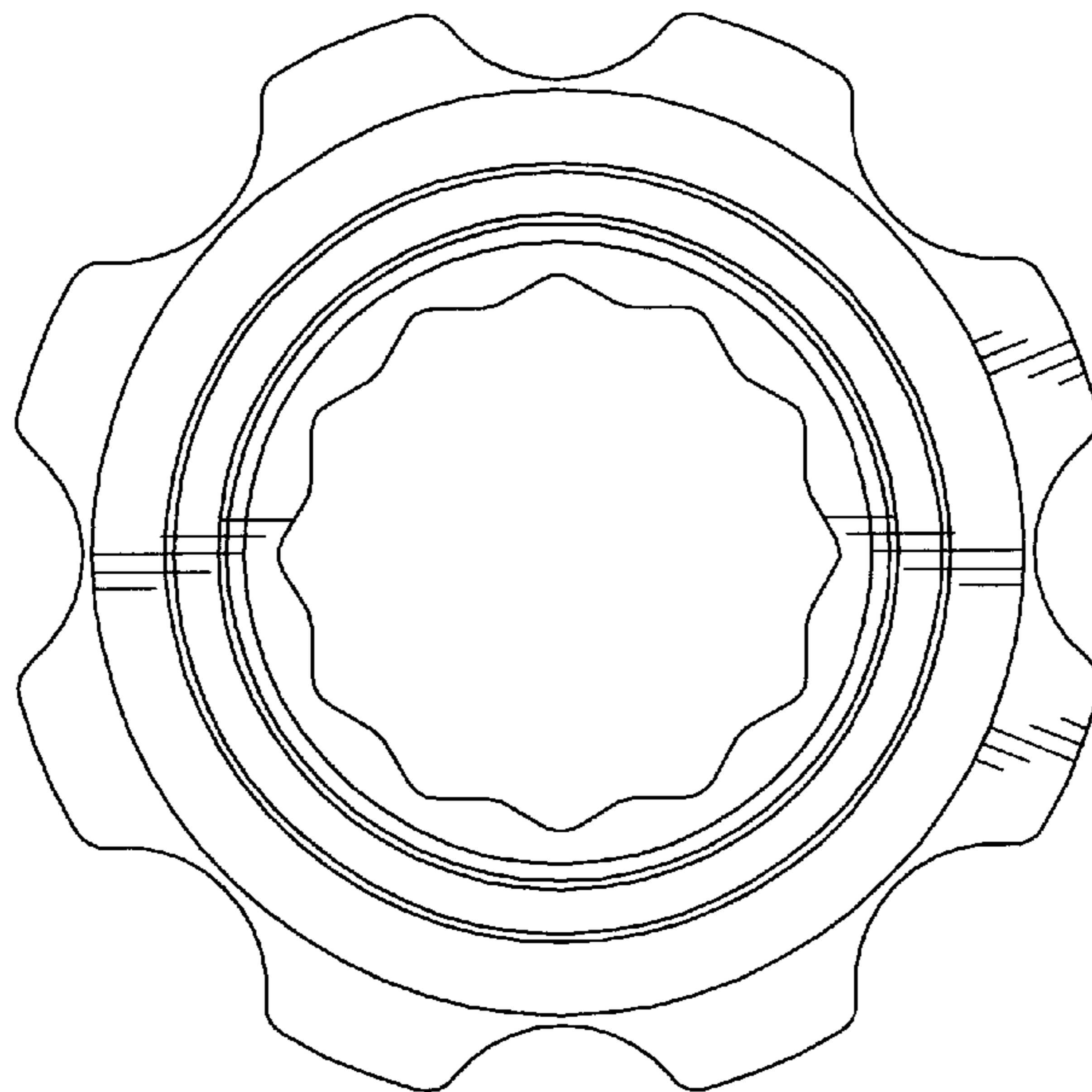


Fig.4

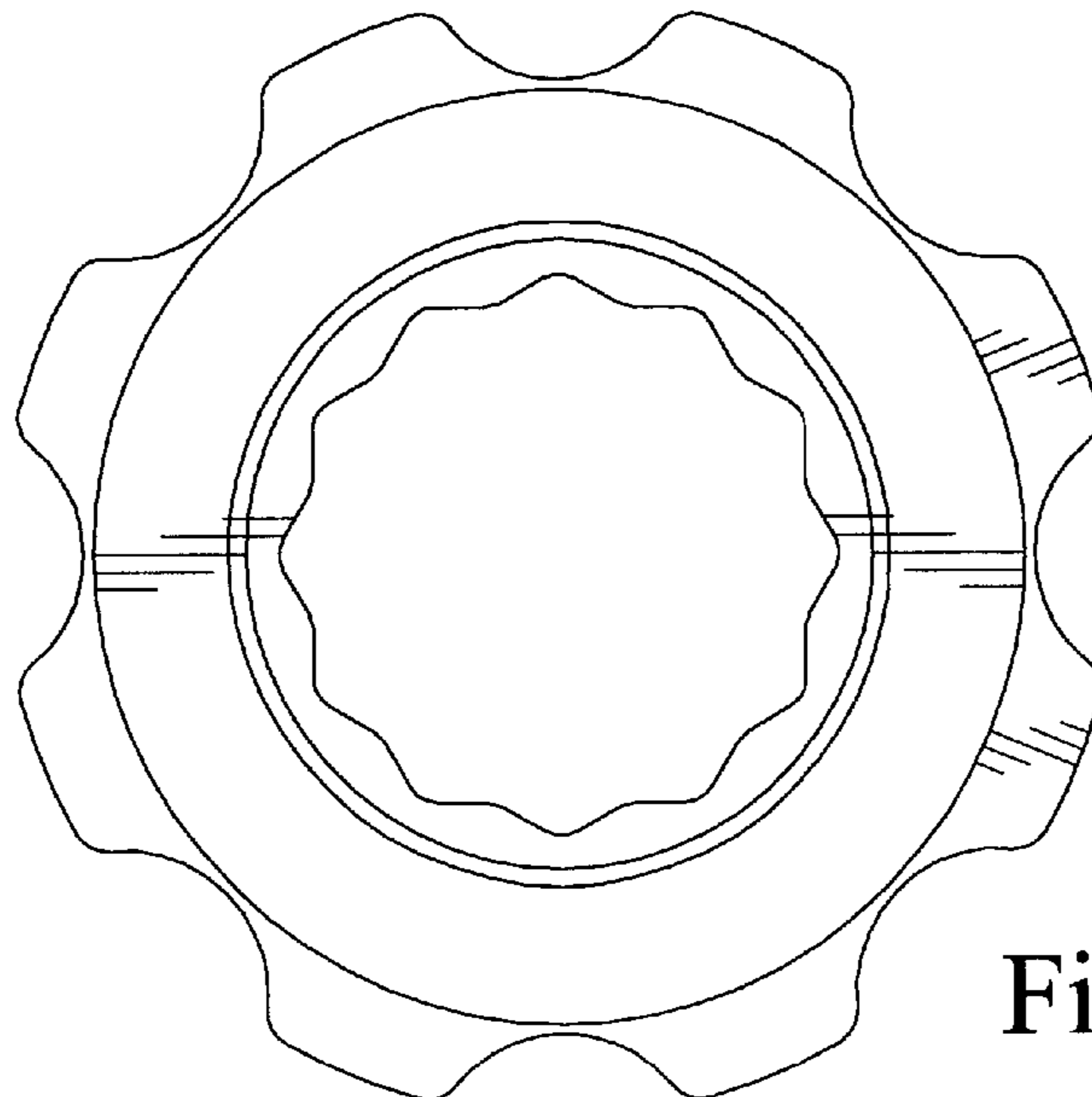


Fig.5