

US00D524599S

(12) **United States Design Patent**  
**Bodum**

(10) **Patent No.:** **US D524,599 S**  
(45) **Date of Patent:** **\*\* Jul. 11, 2006**

(54) **COFFEE DRIP FILTER**

(75) Inventor: **Jørgen Bodum**, St. Niklausen (CH)

(73) Assignee: **PI-Design AG**, Triengen (CH)

(\*\*) Term: **14 Years**

(21) Appl. No.: **29/186,597**

(22) Filed: **Jul. 21, 2003**

(30) **Foreign Application Priority Data**

Feb. 14, 2003 (DK) ..... DA 2003 00118

(51) **LOC (8) Cl.** ..... **07-99**

(52) **U.S. Cl.** ..... **D7/400**

(58) **Field of Classification Search** ..... D7/400,  
D7/700, 300, 667, 608, 369; D23/209; D15/138;  
141/342; 219/689; 99/304, 306, 300, 295,  
99/322, 321, 319, 323, 289 R; 220/676, 675;  
210/477, 474, 232, 479, 455, 248, 238, 380.1,  
210/497.3

See application file for complete search history.

(56) **References Cited**

**U.S. PATENT DOCUMENTS**

- 2,234,397 A \* 3/1941 Benitz ..... 210/477
- 2,897,970 A \* 8/1959 Schlumbohm ..... 210/474
- D203,854 S \* 2/1966 Douglas ..... D7/400
- 3,334,574 A \* 8/1967 Douglas ..... 99/304
- D208,936 S \* 10/1967 Caprio ..... D7/667
- D217,381 S \* 4/1970 Douglas ..... D7/400

- D226,531 S \* 3/1973 Beckman ..... D7/400
- 3,980,563 A \* 9/1976 Greutert et al. .... 210/232
- 4,167,136 A \* 9/1979 Chupurdy ..... 99/306
- D279,379 S \* 6/1985 Uram ..... D15/138
- 4,739,697 A \* 4/1988 Roberts ..... 99/295
- D330,992 S \* 11/1992 Kleek ..... D7/400
- D341,992 S \* 12/1993 Gasser ..... D7/400
- D349,211 S \* 8/1994 Cerato ..... D7/400
- 5,386,926 A \* 2/1995 Assier ..... 220/676
- D360,106 S \* 7/1995 Sintchak ..... D7/400
- D383,036 S \* 9/1997 Cohen et al. .... D7/400

\* cited by examiner

*Primary Examiner*—M. N. Pandozzi

(74) *Attorney, Agent, or Firm*—Nath & Associates PLLC;  
Gregory B. Kang; Derek Richmond

(57) **CLAIM**

The ornamental design for a coffee drip filter, as shown and described.

**DESCRIPTION**

FIG. 1 is an oblique perspective view of the coffee drip filter; FIG. 2 is a front view of the coffee drip filter, as shown in FIG. 1;

FIG. 3 is a back side view of the coffee drip filter;

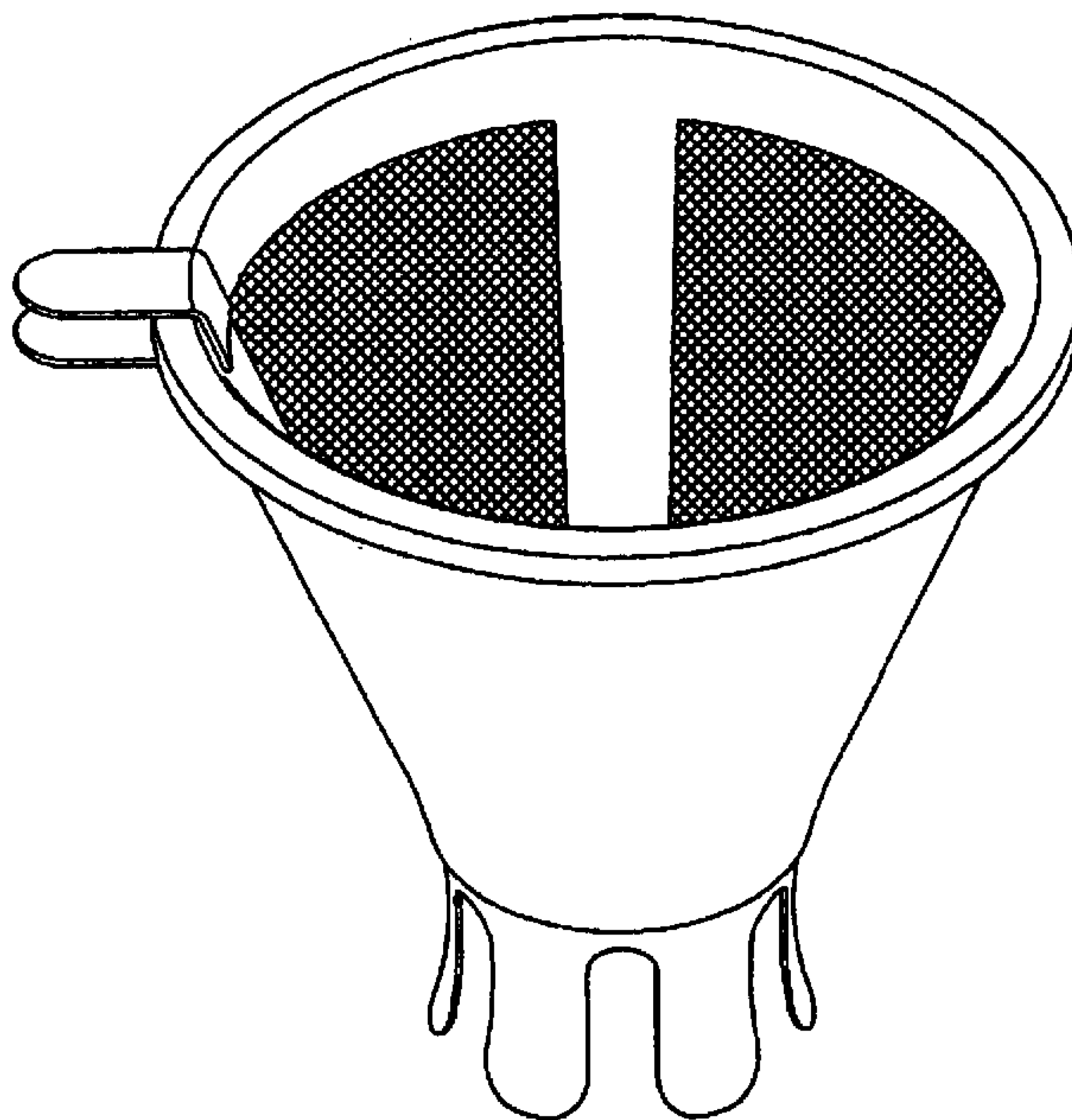
FIG. 4 is a top plan view of the coffee drip filter;

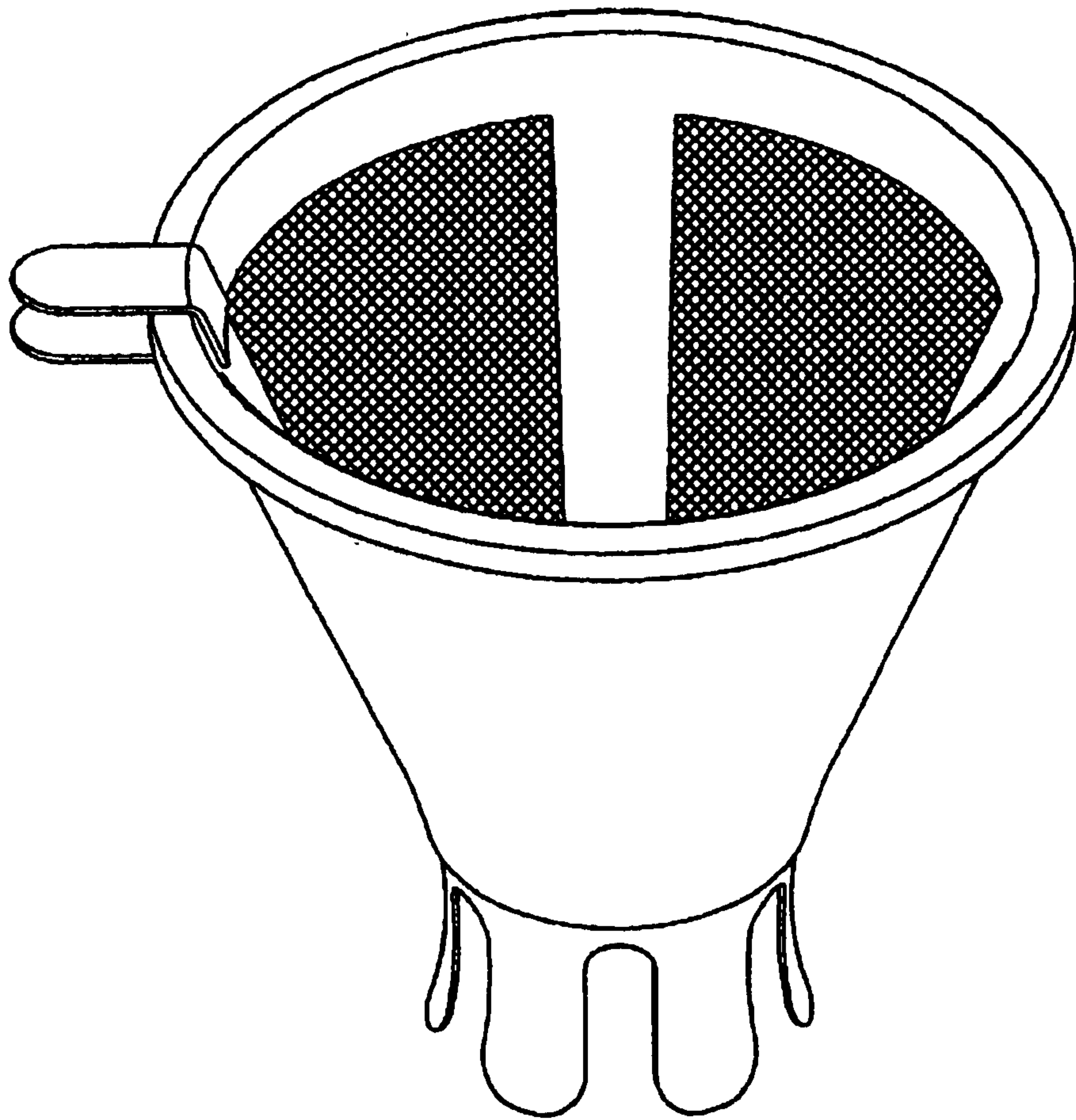
FIG. 5 is a bottom plan view of the coffee drip filter;

FIG. 6 is a right side view of the coffee drip filter; and,

FIG. 7 is a left side view of the coffee drip filter.

**1 Claim, 7 Drawing Sheets**





**Fig. 1**

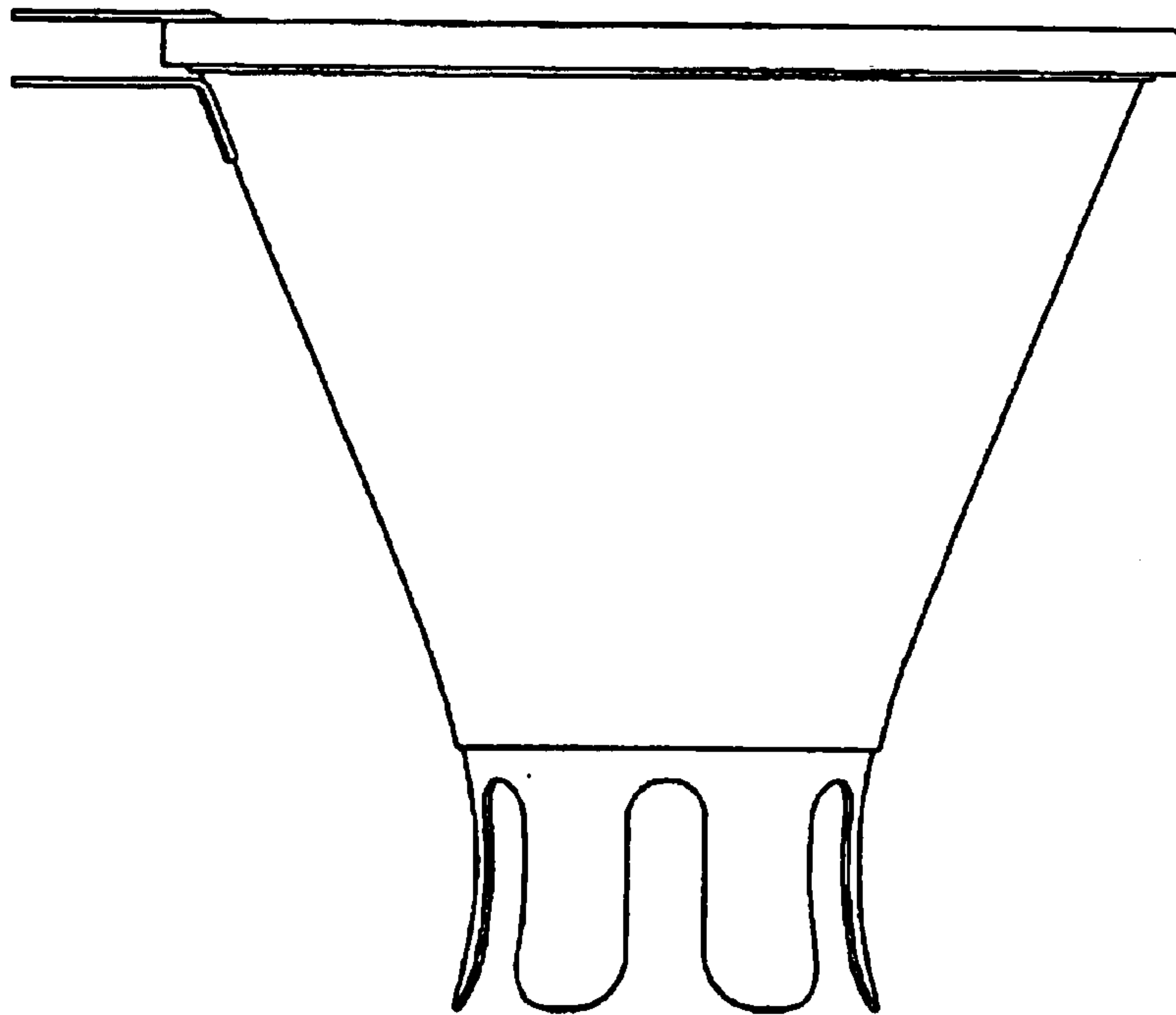
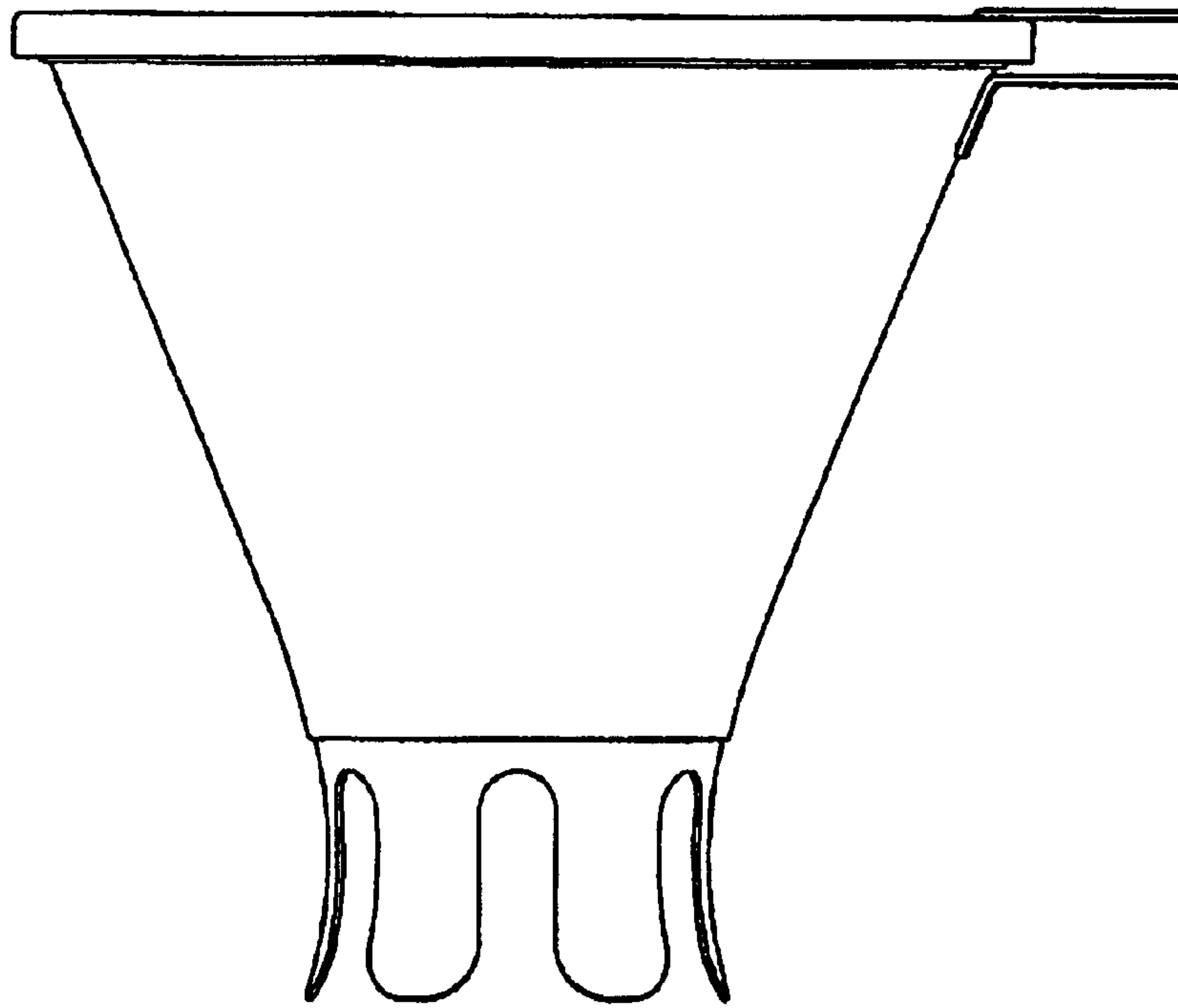
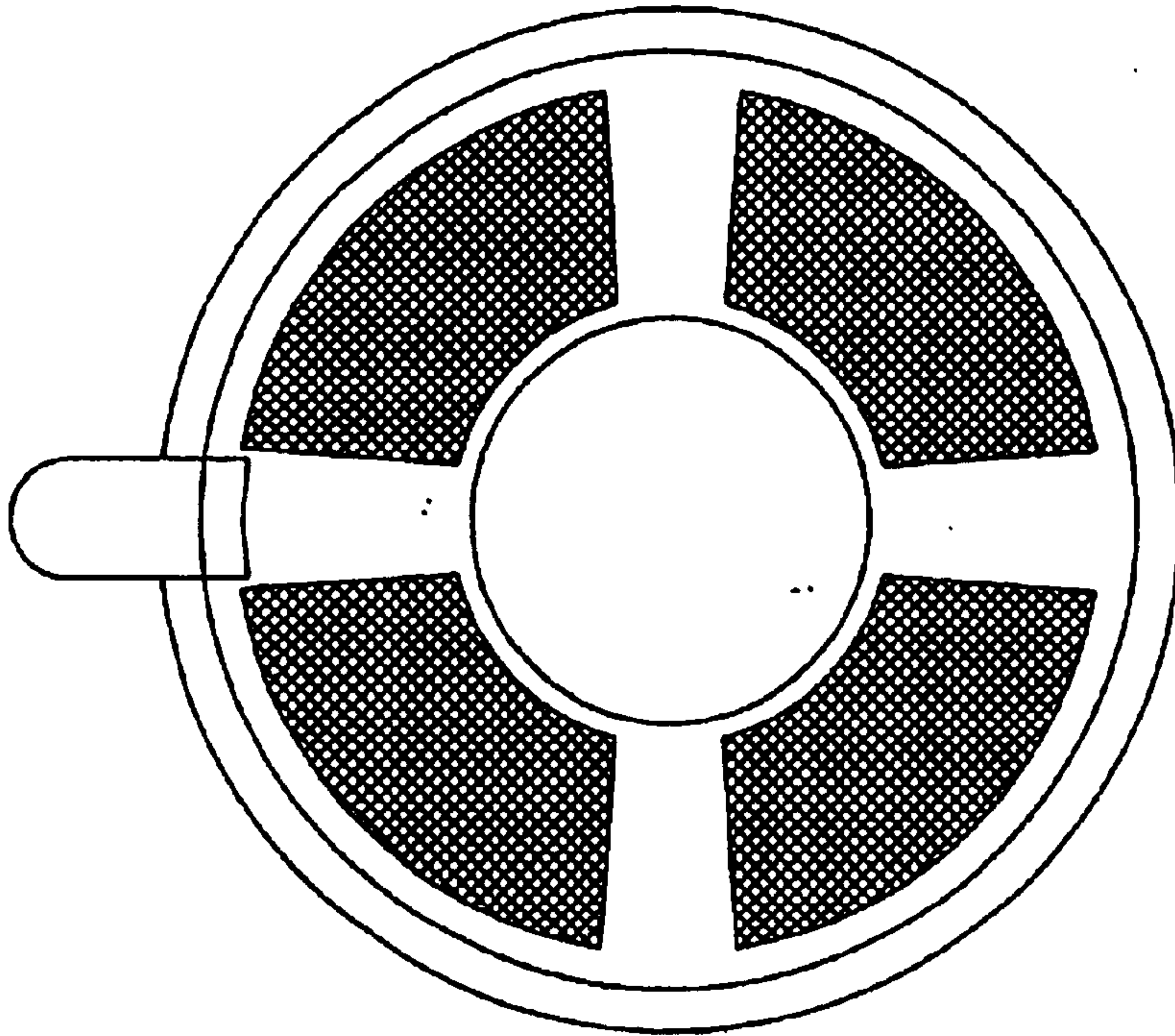


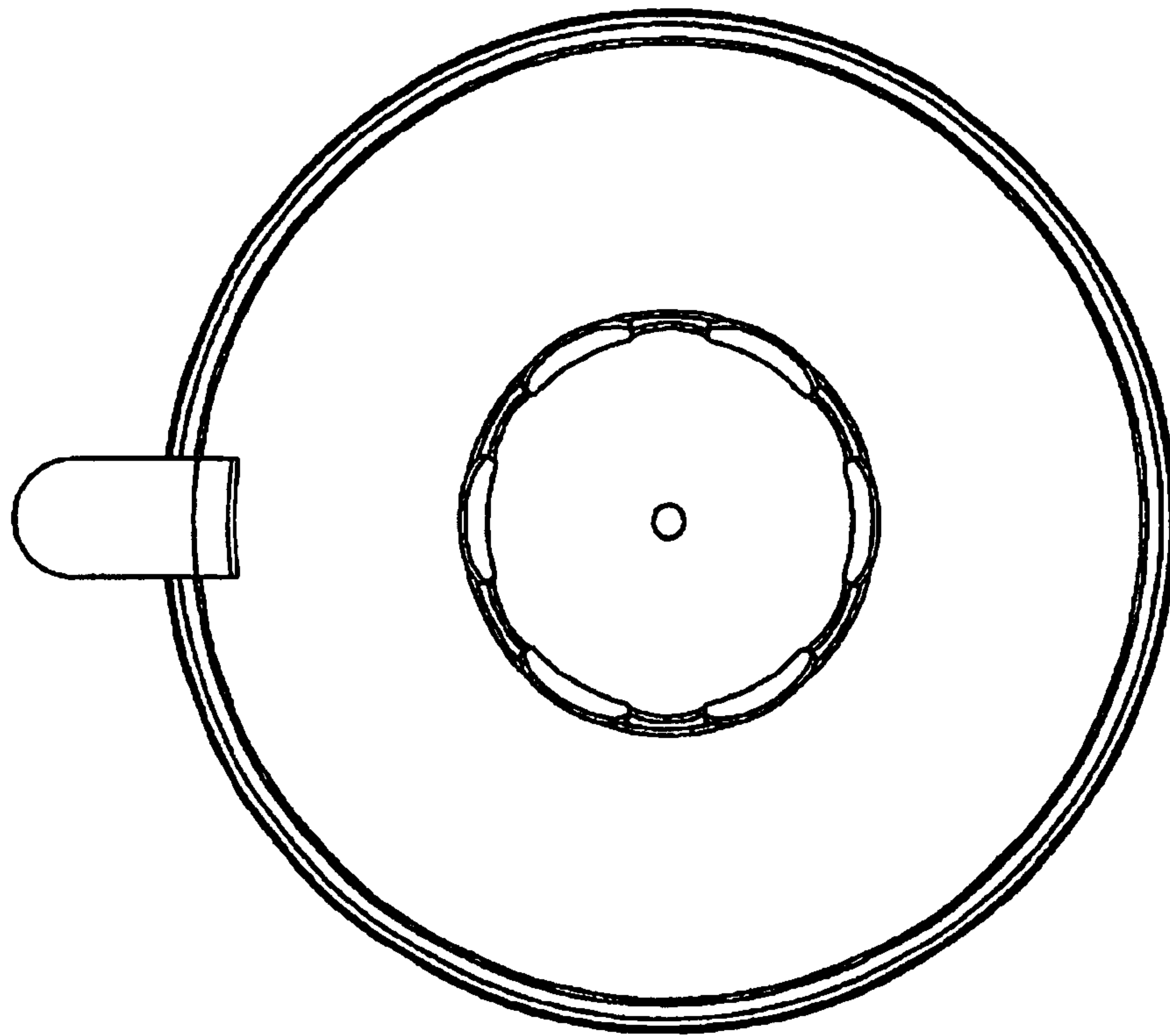
Fig. 2



**Fig. 3**



**Fig. 4**



**Fig. 5**



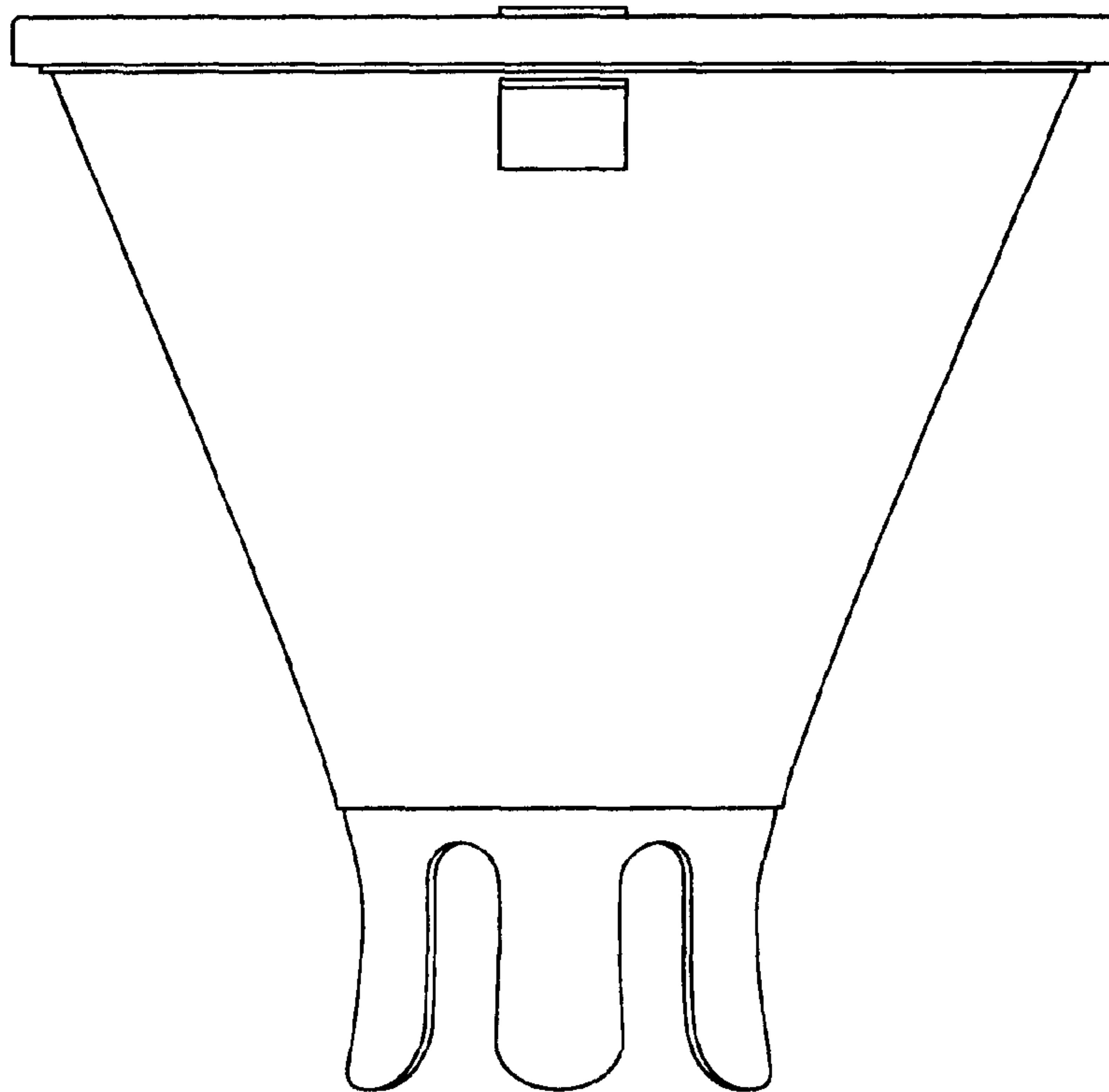


Fig. 6

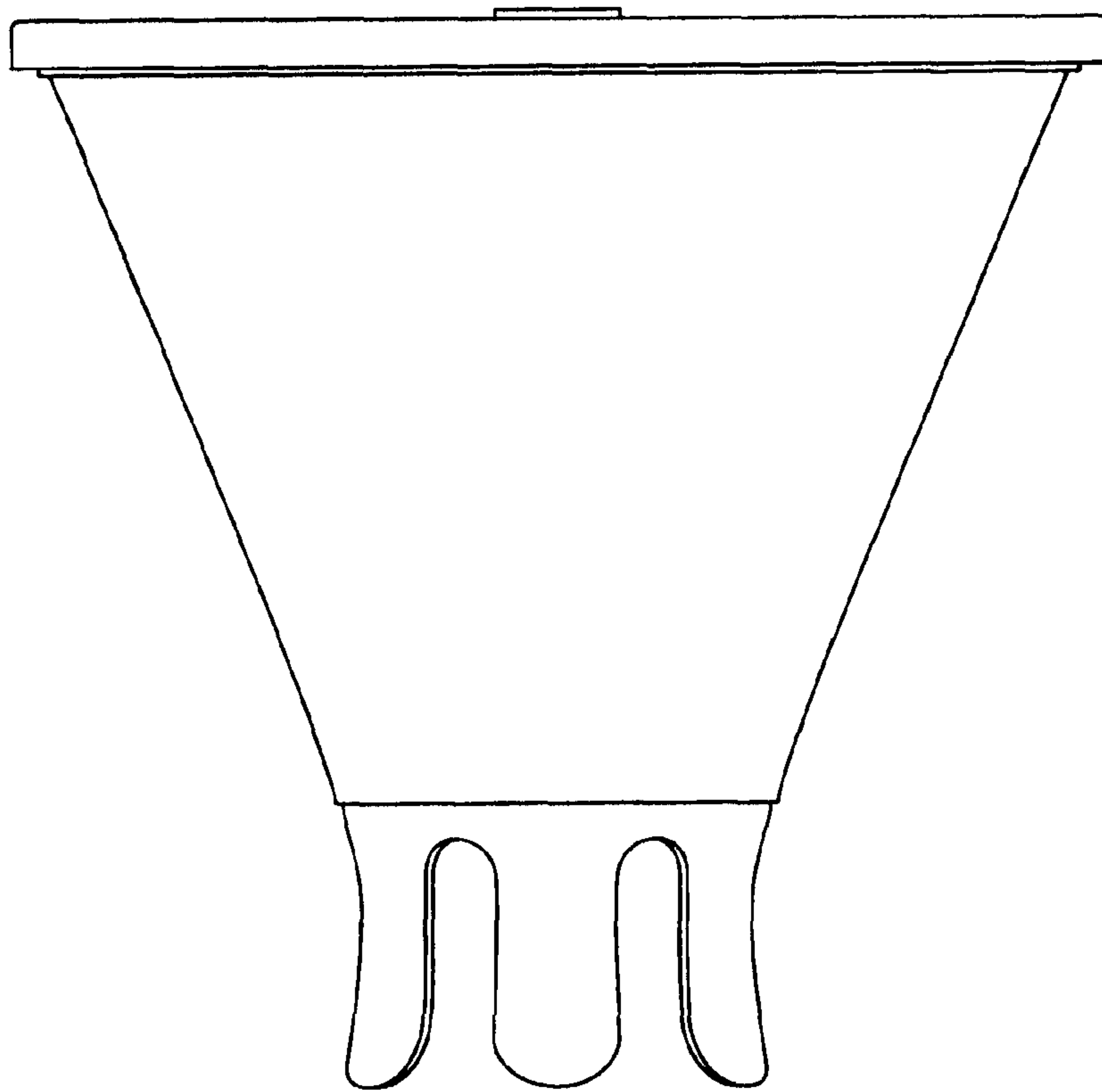


Fig. 7