



US00D524596S

(12) **United States Design Patent**
Magnouloux

(10) **Patent No.:** **US D524,596 S**
(45) **Date of Patent:** **** Jul. 11, 2006**

(54) **THERMOSIGNAL HANDLE FOR COOKING UTENSIL**

(75) Inventor: **Guy Magnouloux, Annecy (FR)**

(73) Assignee: **Tefal, Rumilly (FR)**

(**) Term: **14 Years**

(21) Appl. No.: **29/219,270**

(22) Filed: **Dec. 14, 2004**

(30) **Foreign Application Priority Data**

Jun. 21, 2004 (FR) 04 3072

(51) **LOC (8) Cl.** **07-02**

(52) **U.S. Cl.** **D7/393**

(58) **Field of Classification Search** D7/350.3,
D7/354-361, 393-395, 401.2; D8/107, 300,
D8/301, 307; D4/138, 127, 129, 132, 134;
16/430, 431, 110.1, 407; 220/573.1-573.5,
220/752, 753, 755, 756, 912

See application file for complete search history.

(56) **References Cited**

U.S. PATENT DOCUMENTS

4,257,394 A * 3/1981 Zabel 126/374.1
D315,847 S * 4/1991 Sebillotte D7/393
D352,884 S * 11/1994 Schlack D8/331

D360,335 S * 7/1995 Chang D7/350.3
D362,842 S * 10/1995 Levine D13/174
D365,964 S * 1/1996 Gebhardt D7/393
D390,748 S * 2/1998 Short et al. D7/412
D445,017 S * 7/2001 Kronemeyer et al. D8/337
D451,339 S * 12/2001 Munari D7/393
D463,209 S * 9/2002 Wagner D7/393
D476,524 S * 7/2003 Cornfield D7/393

* cited by examiner

Primary Examiner—Holly Baynham

Assistant Examiner—Cynthia M. Chin

(74) *Attorney, Agent, or Firm*—Harness, Dickey & Pierce, PLC

(57) **CLAIM**

The ornamental design for a thermosignal handle for cooking utensil, as shown and described.

DESCRIPTION

FIG. 1 is a perspective view;

FIG. 2 is a front view;

FIG. 3 is a rear view;

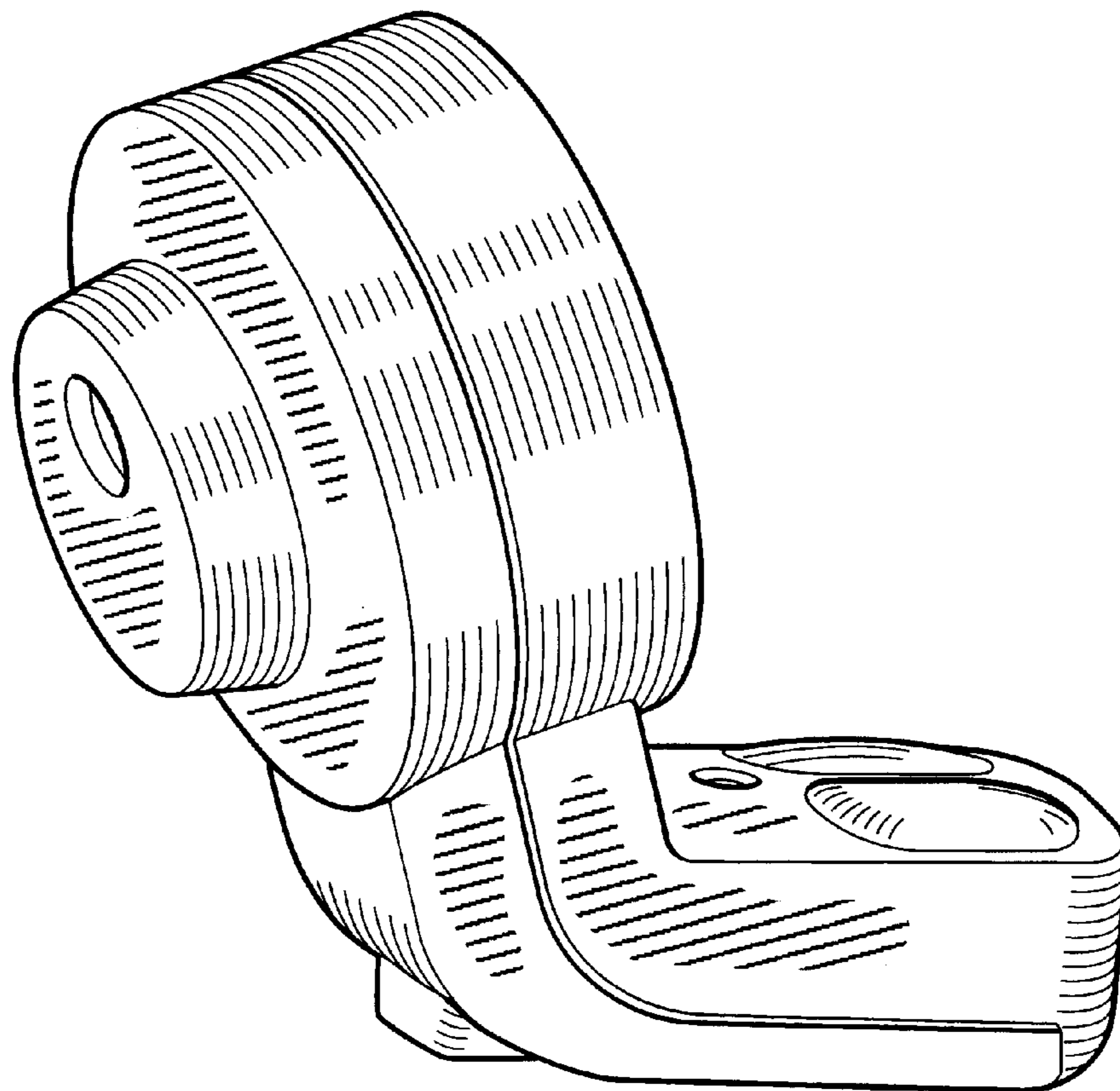
FIG. 4 is a top view;

FIG. 5 is a bottom view;

FIG. 6 is a left side view; and,

FIG. 7 is a right side view.

1 Claim, 7 Drawing Sheets



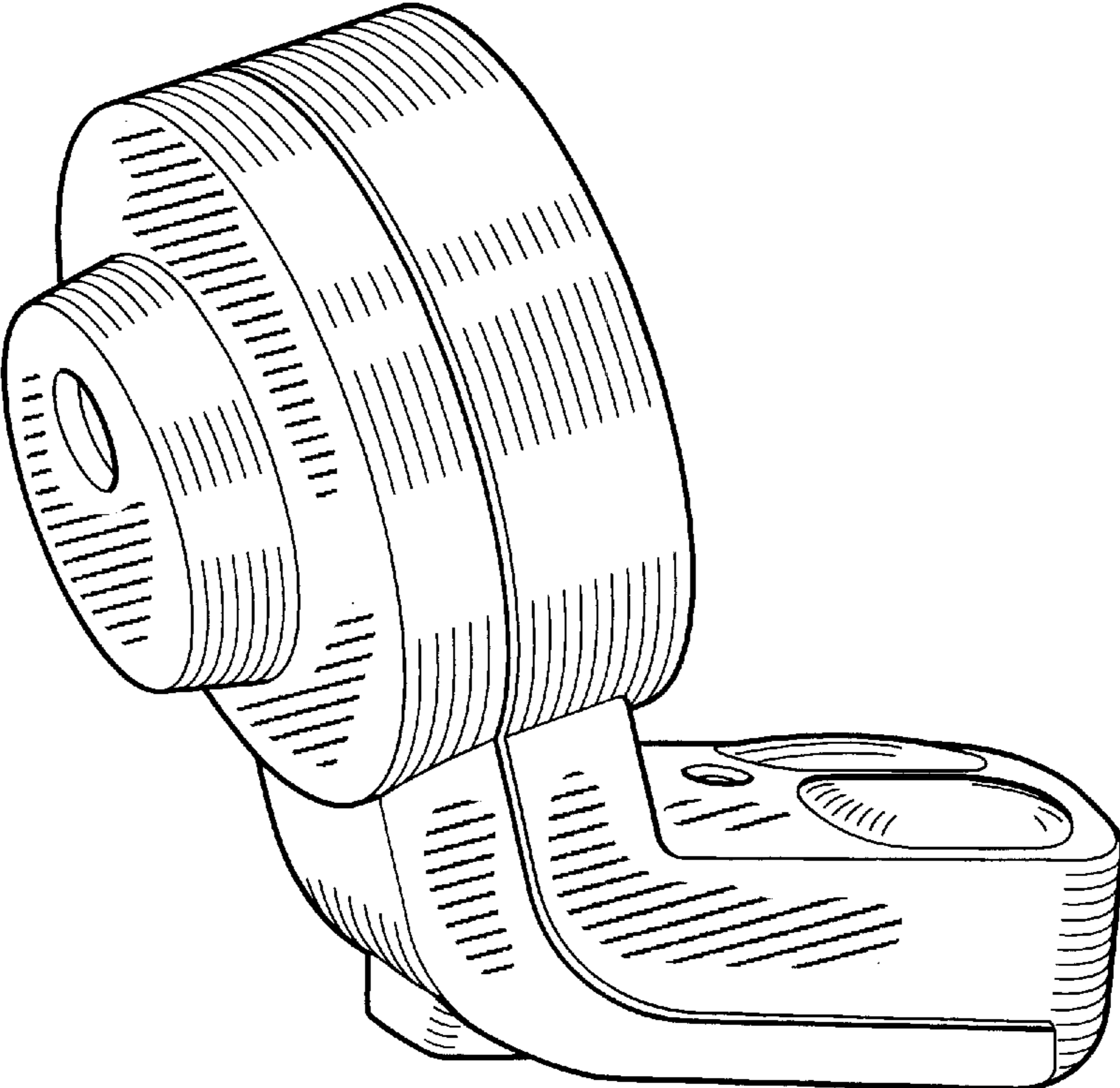


Fig. 1

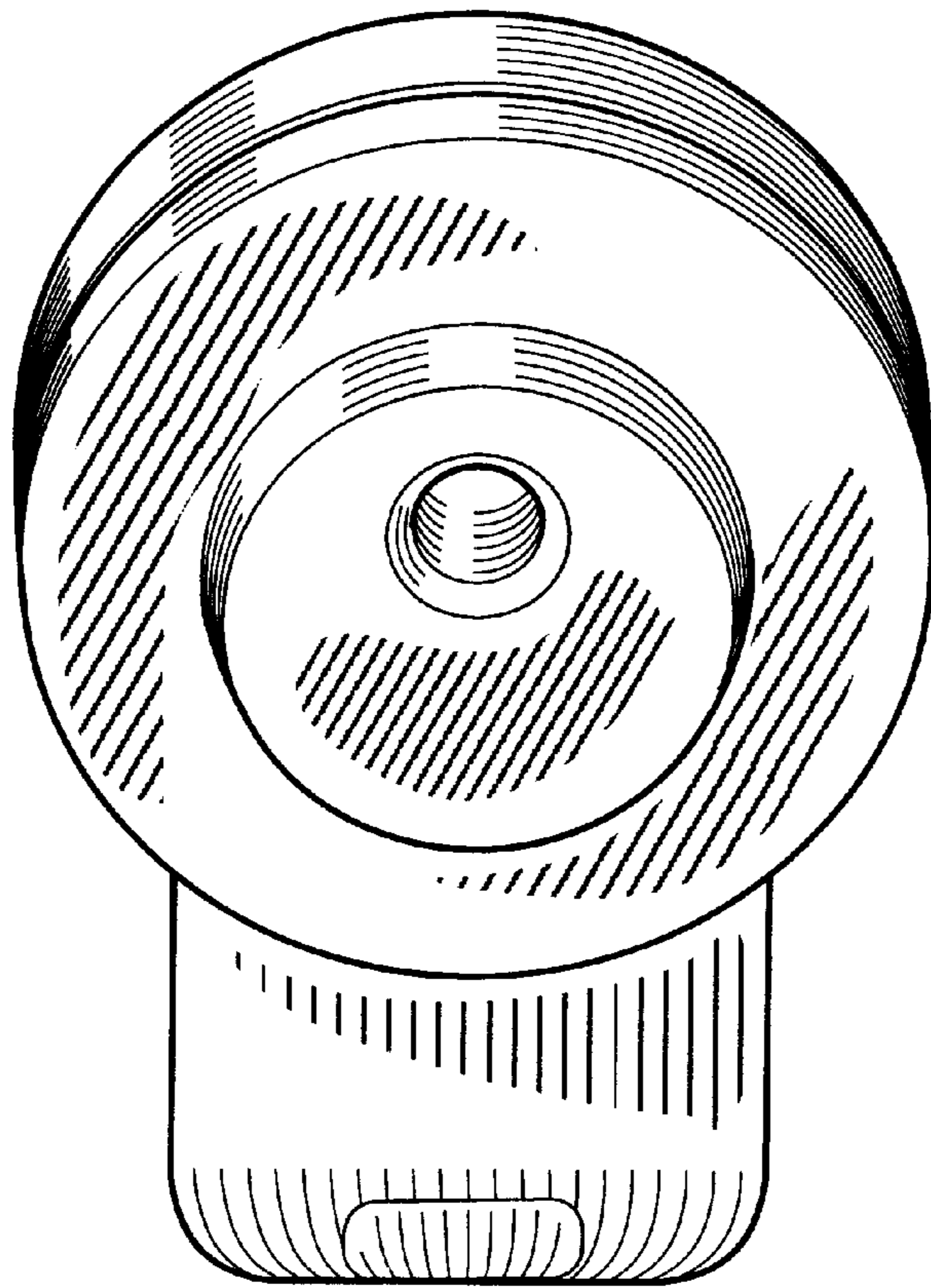


Fig. 2

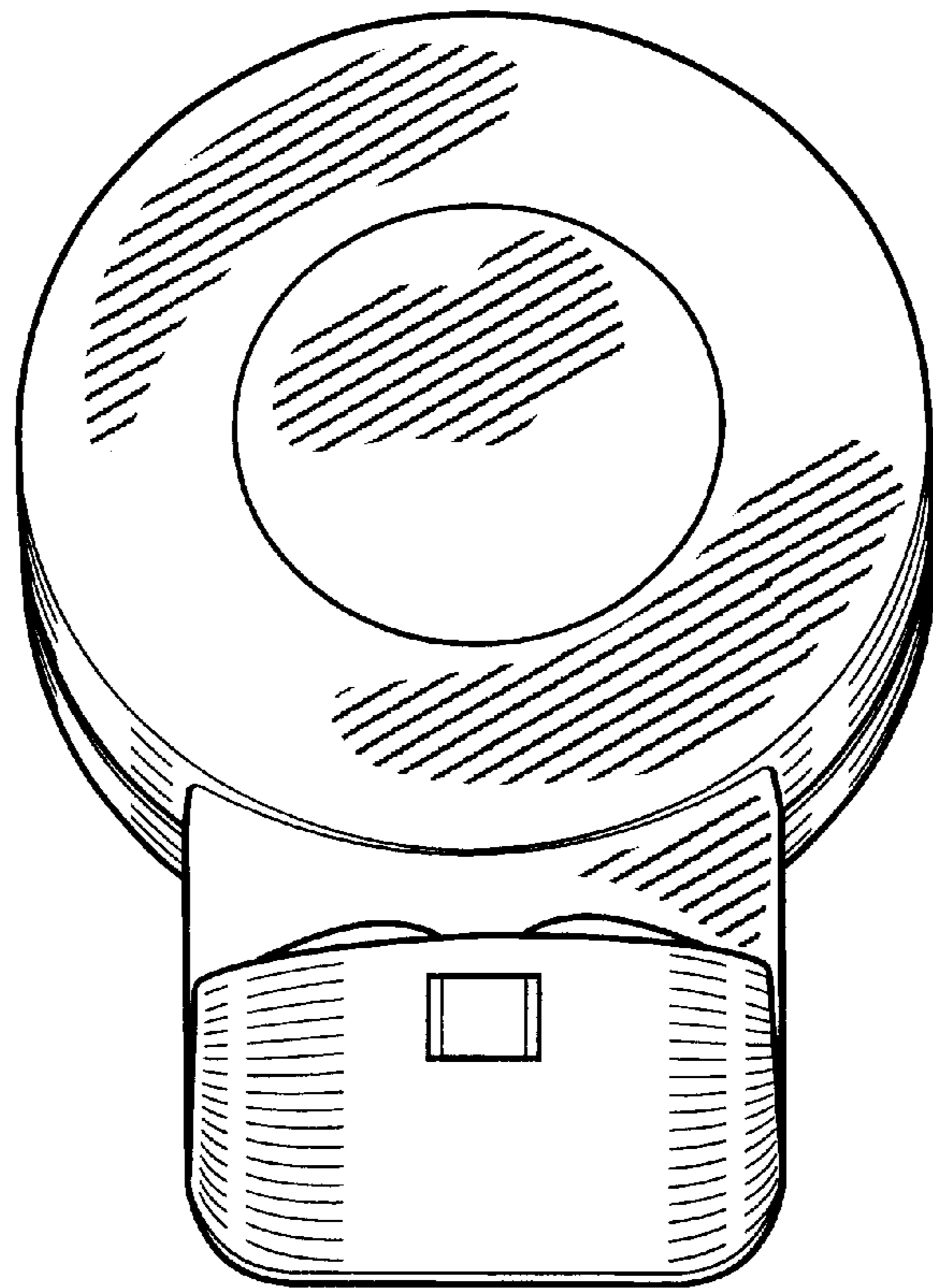


Fig. 3

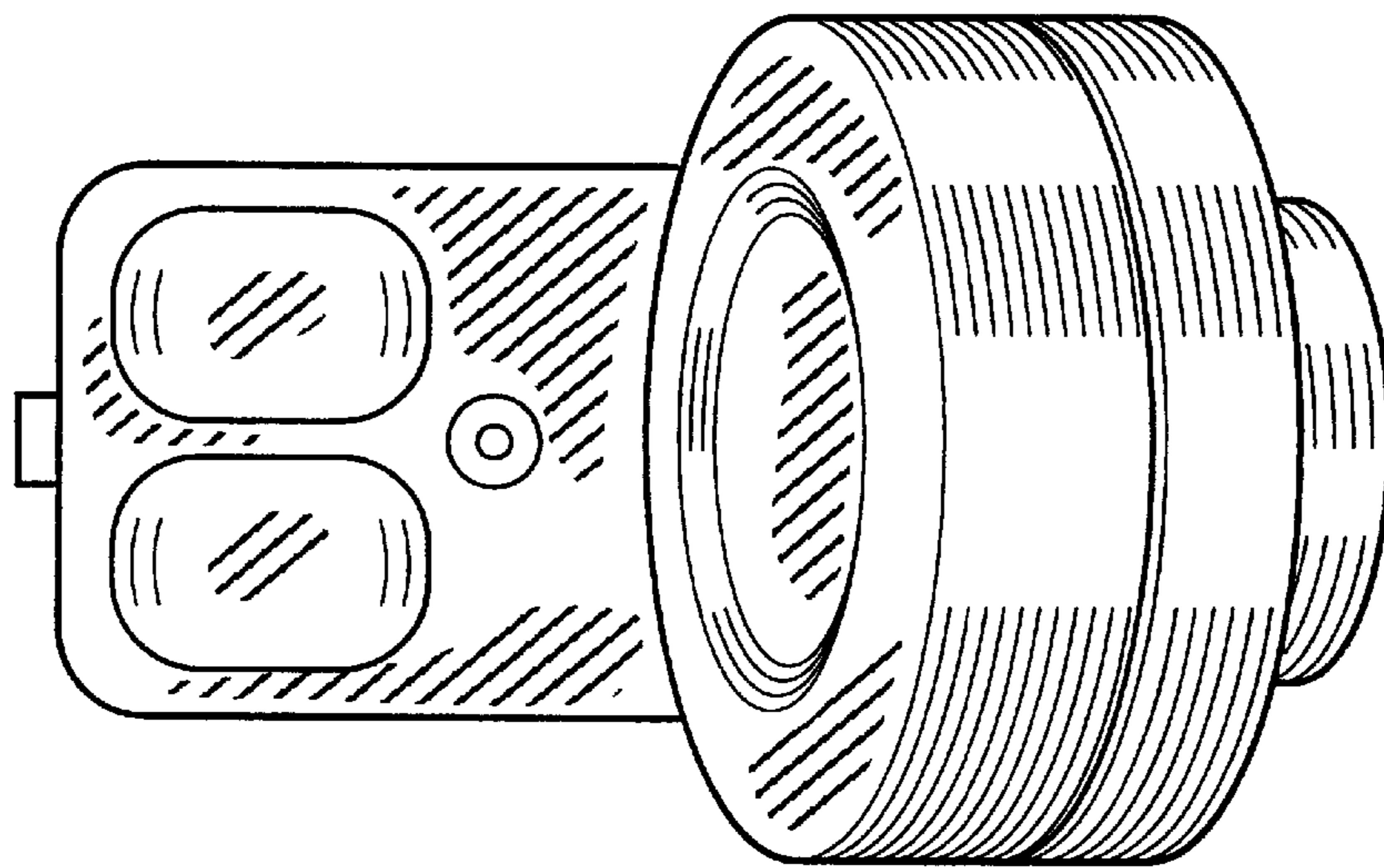


Fig. 4

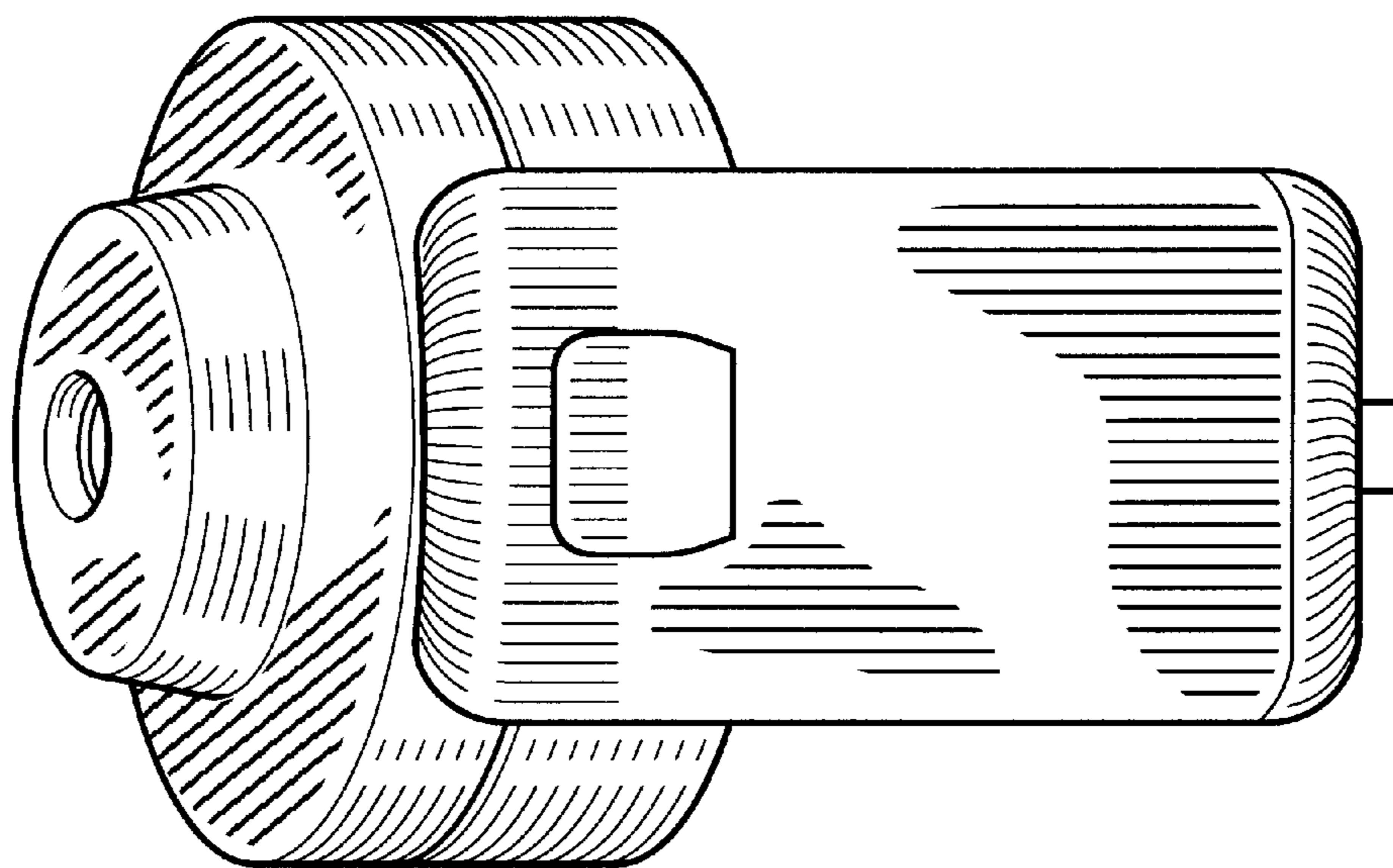


Fig. 5

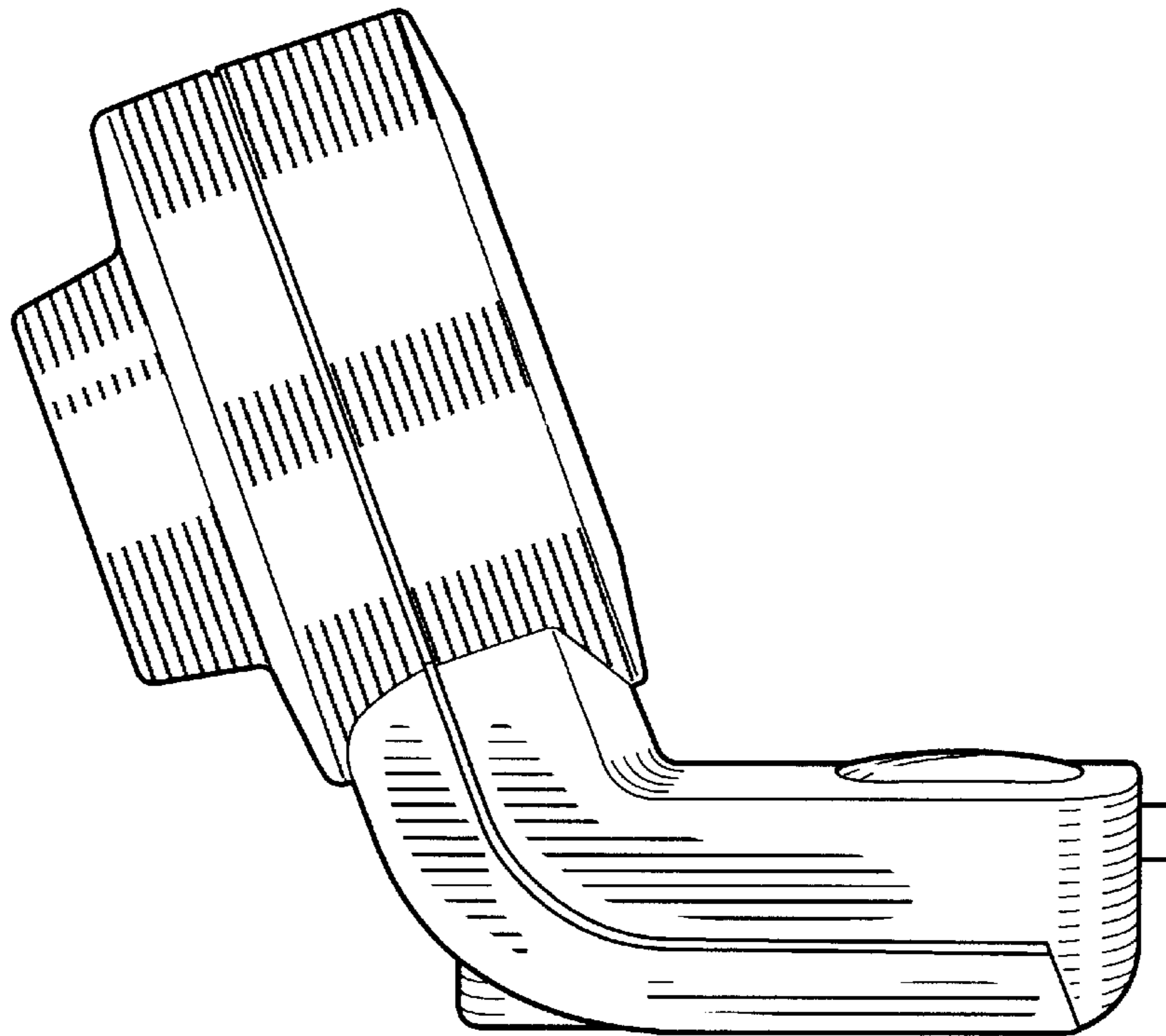


Fig. 6

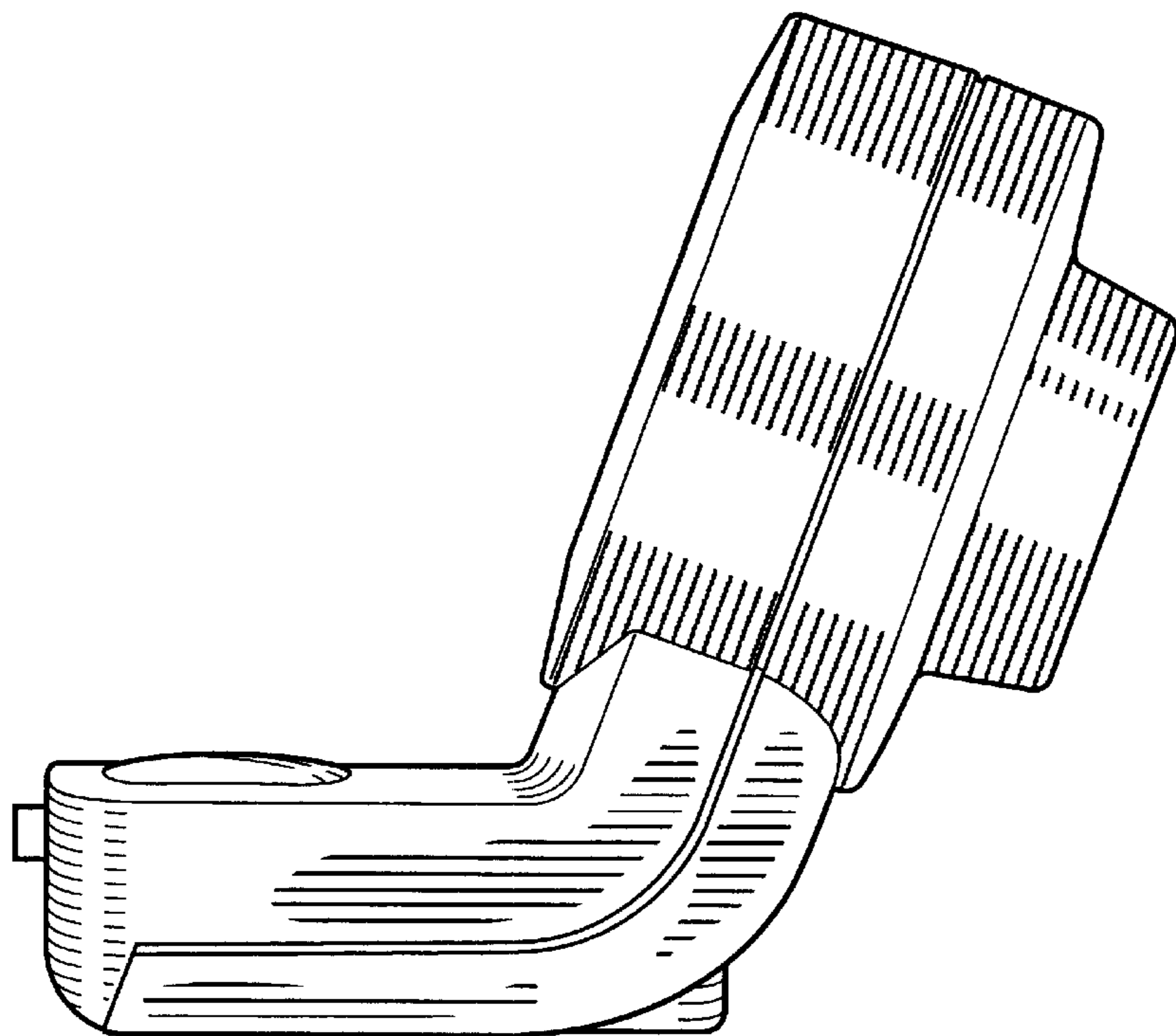


Fig. 7