



US00D524595S

(12) **United States Design Patent**  
**Kanza**

(10) **Patent No.:** **US D524,595 S**

(45) **Date of Patent:** **\*\* Jul. 11, 2006**

(54) **MICROWAVE OVEN**

(75) Inventor: **Akinobu Kanza**, Kobe (JP)

(73) Assignee: **Matsushita Electric Industrial/Co. Ltd.**, Osaka (JP)

(\*\*) Term: **14 Years**

(21) Appl. No.: **29/223,398**

(22) Filed: **Feb. 10, 2005**

(51) **LOC (8) Cl.** ..... **07-02**

(52) **U.S. Cl.** ..... **D7/351**

(58) **Field of Classification Search** ..... D7/350.1,  
D7/350.2, 350.3, 350.4, 351, 402-403, 405-406;  
126/19 M, 275 E, 273 A; 219/756-758, 391,  
219/402, 393; 99/DIG. 14

See application file for complete search history.

(56) **References Cited**

**U.S. PATENT DOCUMENTS**

|            |   |         |              |       |        |
|------------|---|---------|--------------|-------|--------|
| D334,109 S | * | 3/1993  | Kim          | ..... | D7/351 |
| D385,154 S | * | 10/1997 | Weiss et al. | ..... | D7/405 |
| D412,083 S |   | 7/1999  | Okuda et al. |       |        |
| D425,750 S | * | 5/2000  | Koike        | ..... | D7/351 |
| D437,179 S |   | 2/2001  | Ozaki et al. |       |        |
| D442,008 S | * | 5/2001  | Noda et al.  | ..... | D7/351 |
| D442,820 S | * | 5/2001  | Kim          | ..... | D7/351 |
| D452,410 S |   | 12/2001 | Ichimura     |       |        |
| D454,029 S | * | 3/2002  | Noda et al.  | ..... | D7/351 |

|            |   |        |               |       |        |
|------------|---|--------|---------------|-------|--------|
| D455,932 S | * | 4/2002 | Noda et al.   | ..... | D7/351 |
| D476,521 S | * | 7/2003 | Fukuda et al. | ..... | D7/351 |
| D477,964 S | * | 8/2003 | Kanza         | ..... | D7/351 |
| D509,399 S | * | 9/2005 | Kanza         | ..... | D7/351 |

**FOREIGN PATENT DOCUMENTS**

|    |               |         |
|----|---------------|---------|
| CN | ZL 95316418.7 | 9/1996  |
| CN | ZL 95316419.5 | 11/1996 |
| CN | ZL 99328034.X | 11/1999 |
| CN | ZL 00336298.1 | 7/2001  |
| CN | ZL 01359956.9 | 7/2002  |
| CN | ZL 03352307.X | 3/2004  |

\* cited by examiner

*Primary Examiner*—Ruth McInroy

(74) *Attorney, Agent, or Firm*—Brinks Hofer Gilson & Lione

(57) **CLAIM**

I claim the ornamental design for a microwave oven, as shown and described.

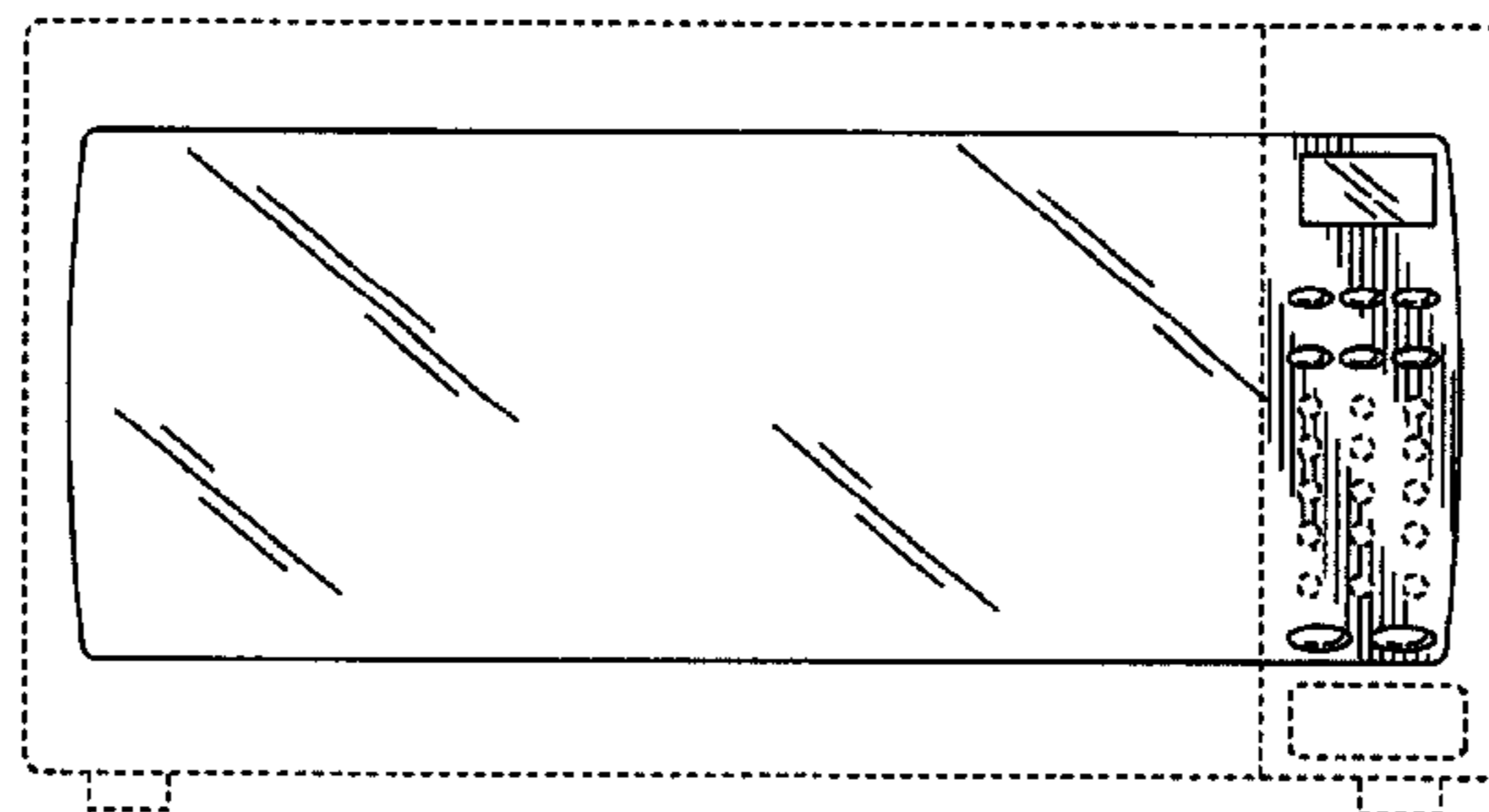
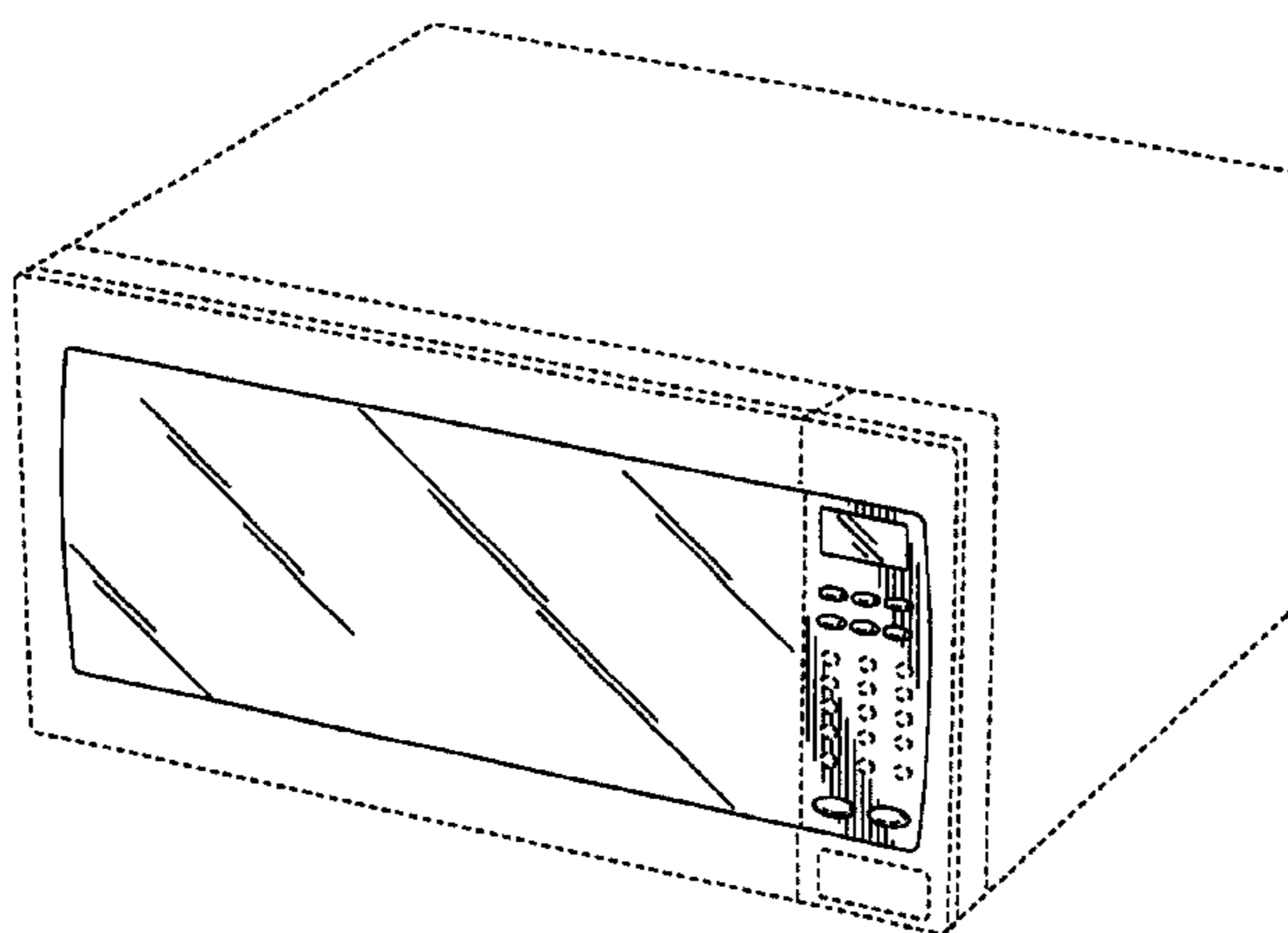
**DESCRIPTION**

FIG. 1 is a top perspective view of a microwave oven of the present invention; and,

FIG. 2 is a front view thereof.

The ornamental design which is claimed is shown in solid lines in the drawings. Any broken lines in the drawings are for illustrative purposes only and form no part of the claimed design.

**1 Claim, 2 Drawing Sheets**



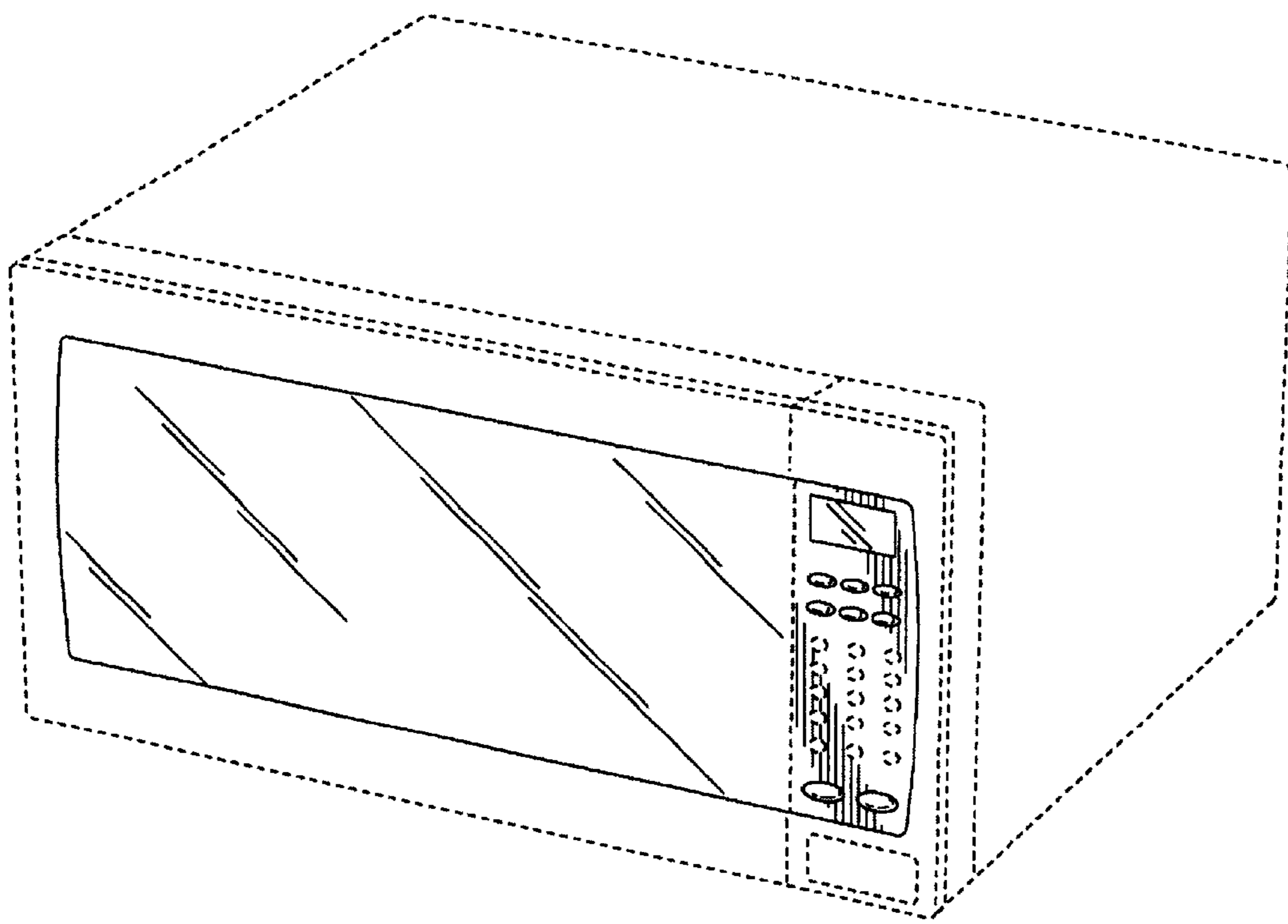


FIG. 1

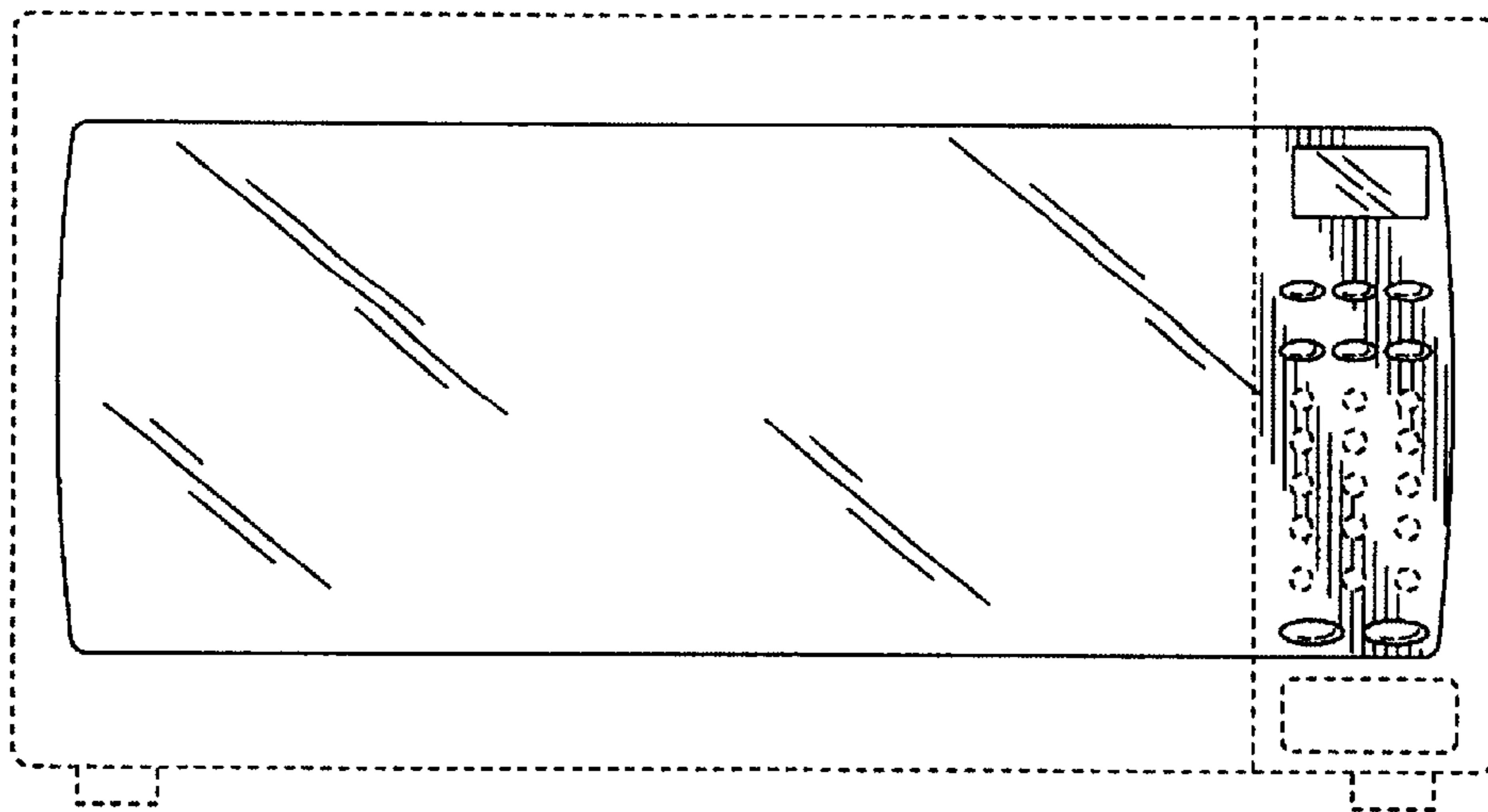


FIG. 2