



US00D524593S

(12) **United States Design Patent**
Kanza

(10) **Patent No.:** **US D524,593 S**
(45) **Date of Patent:** **** Jul. 11, 2006**

(54) **MICROWAVE OVEN**

D476,521 S * 7/2003 Fukuda et al. D7/351
D478,465 S * 8/2003 Kanza D7/351

(75) Inventor: **Akinobu Kanza**, Kobe (JP)

FOREIGN PATENT DOCUMENTS

(73) Assignee: **Matsushita Electric Industrial Co., Ltd.**, Osaka (JP)

CN	ZL 95316418.7	9/1996
CN	ZL 95316419.5	11/1996
CN	ZL 99328034.X	11/1999
CN	ZL 00336298.1	7/2001
CN	ZL 01359956.9	7/2002
CN	ZL 03352307.X	3/2004

(**) Term: **14 Years**

(21) Appl. No.: **29/223,215**

* cited by examiner

(22) Filed: **Feb. 10, 2005**

(51) **LOC (8) Cl.** **07-02**

Primary Examiner—Ruth McInroy

(52) **U.S. Cl.** **D7/351**

(74) *Attorney, Agent, or Firm*—Brinks Hofer Gilson & Lione

(58) **Field of Classification Search** D7/350.1,
D7/350.2, 350.3, 350.4, 351, 402–403, 405–406;
126/19 M, 275 E, 273 A; 219/756–758, 391,
219/402, 393; 99/DIG. 14
See application file for complete search history.

(57) **CLAIM**

I claim the ornamental design for a microwave oven, as shown and described.

(56) **References Cited**

DESCRIPTION

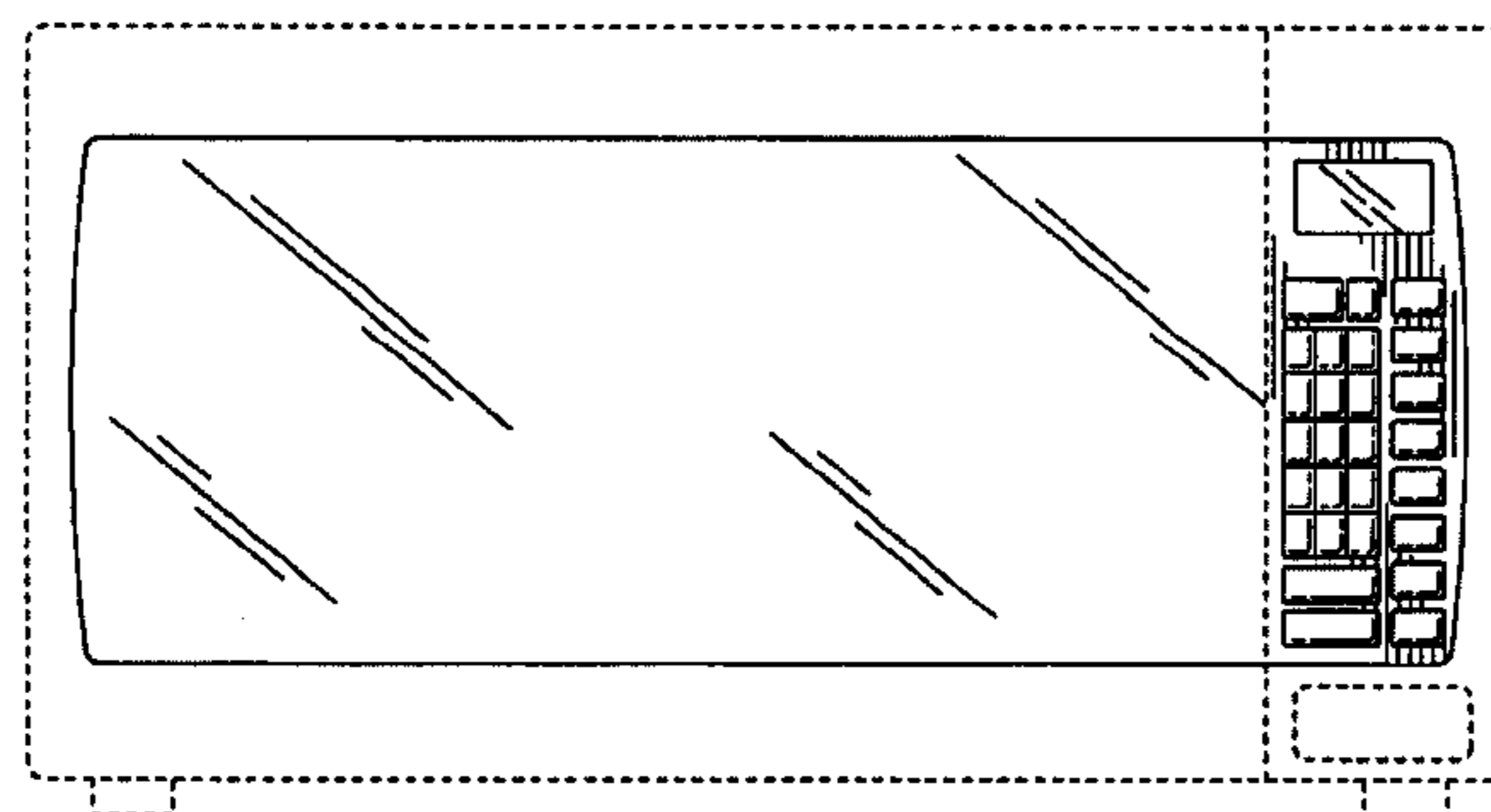
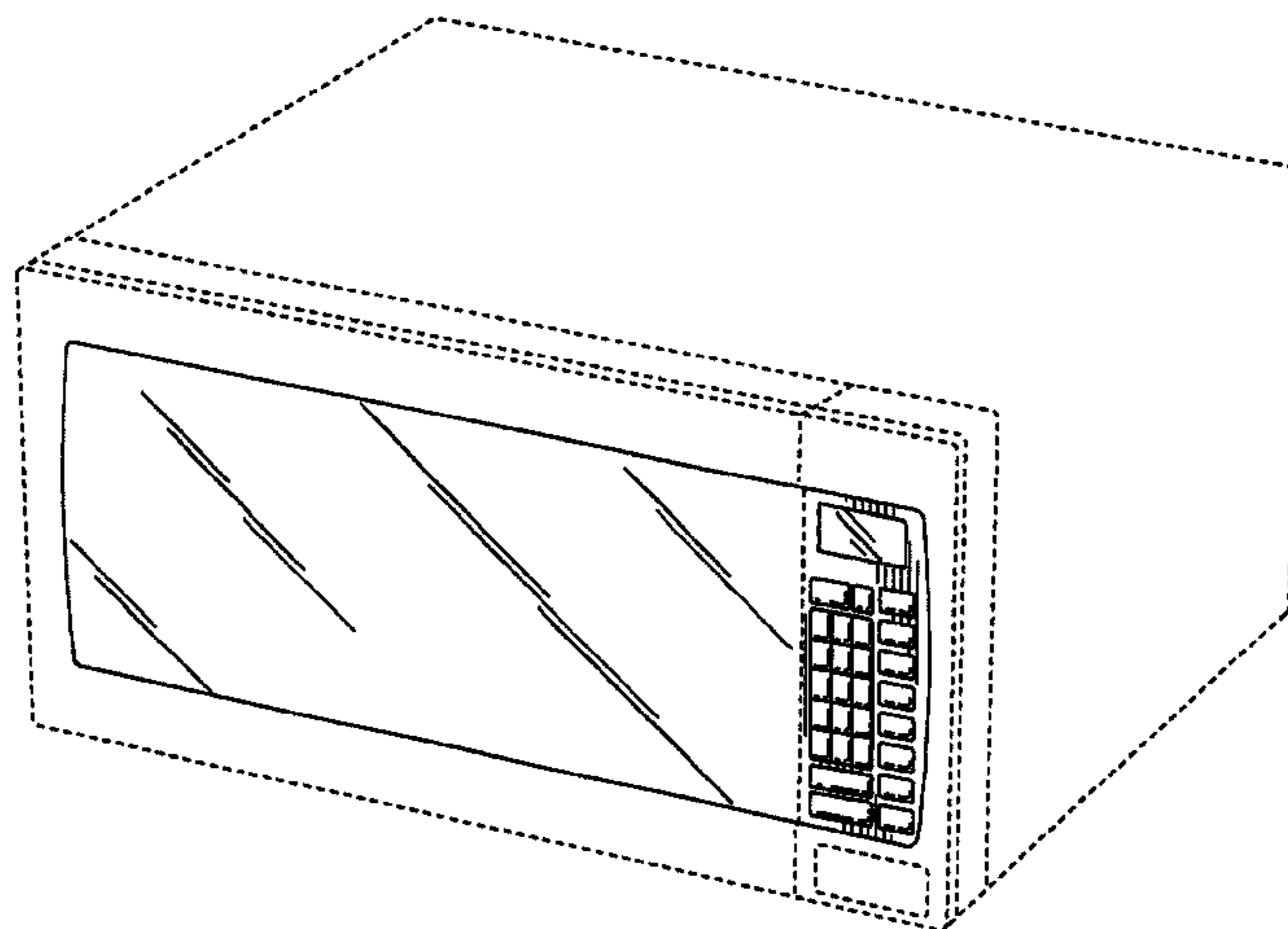
U.S. PATENT DOCUMENTS

D302,373 S	*	7/1989	Yoshida	D7/351
D324,466 S	*	3/1992	Yamagami et al.	D7/351
D353,511 S	*	12/1994	Saimen	D7/351
D371,039 S	*	6/1996	Matoba et al.	D7/351
D437,179 S		2/2001	Ozaki et al.		
D441,595 S	*	5/2001	Naganuma	D7/351
D442,820 S	*	5/2001	Kim	D7/351
D452,410 S		12/2001	Ichimura		

FIG. 1 is a top perspective view of a microwave oven of the present invention; and,
FIG. 2 is a front view thereof.

The ornamental design which is claimed is shown in solid lines in the drawings. Any broken lines in the drawings are for illustrative purposes only and form no part of the claimed design.

1 Claim, 2 Drawing Sheets



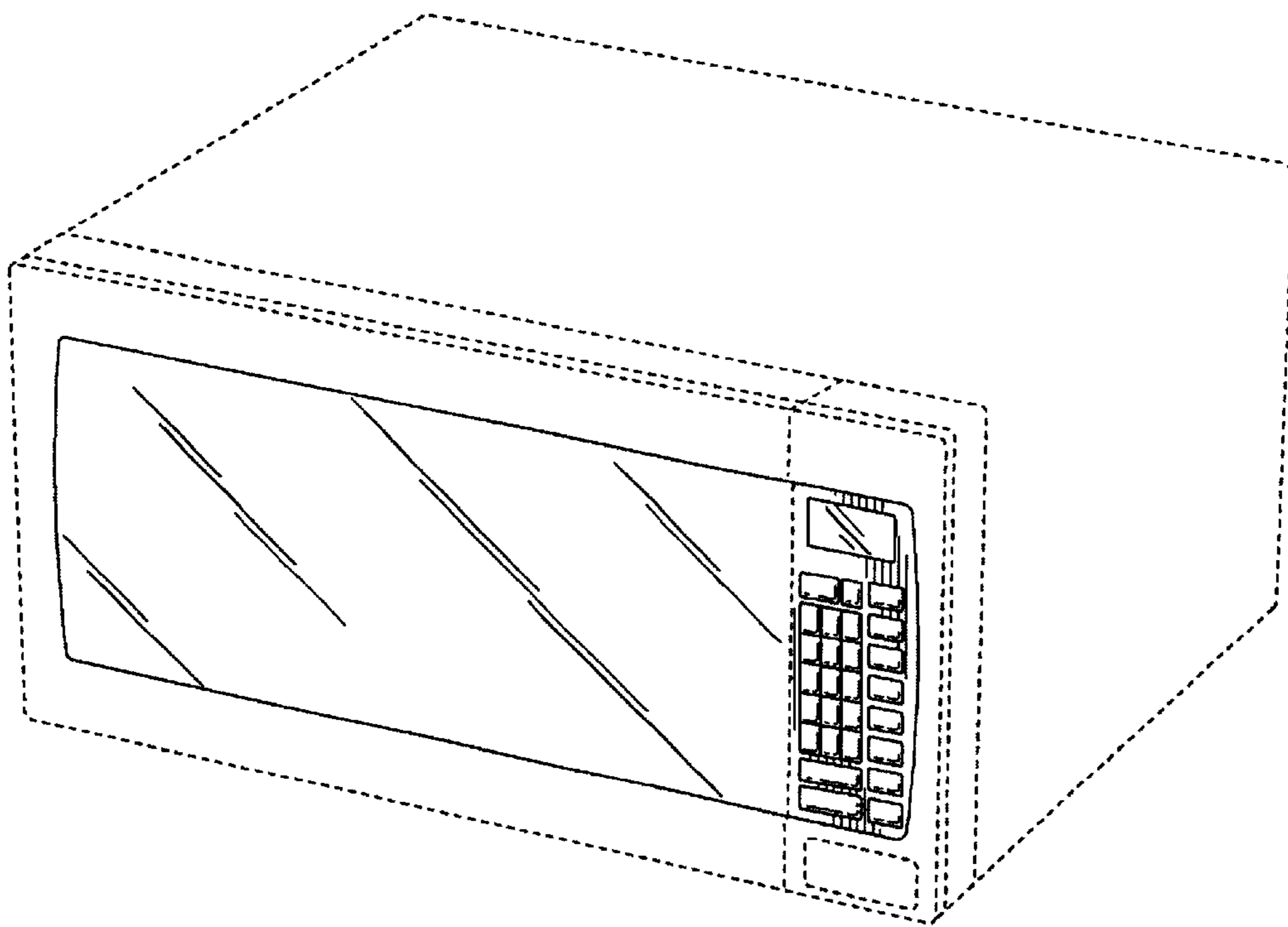


FIG. 1

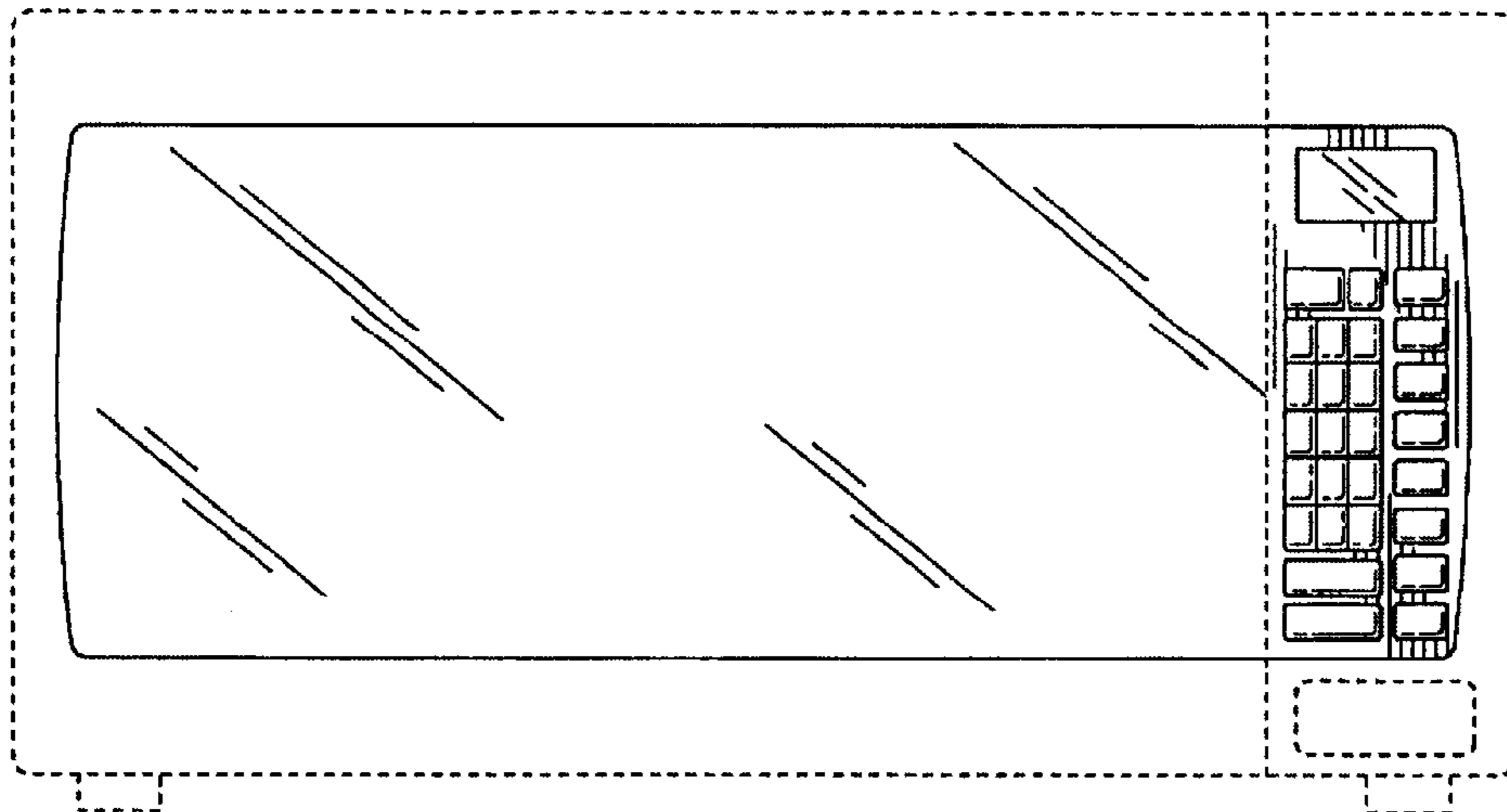


FIG. 2