



US00D524592S

(12) **United States Design Patent**
Brunner et al.

(10) **Patent No.:** **US D524,592 S**

(45) **Date of Patent:** **** Jul. 11, 2006**

(54) **COMBINED COOKING BASE AND GRILL**

(76) Inventors: **John Brunner**, Direct Designs, Manor Farm Factory, Cricket St., Thomas Chard, Somerset (GB), TA20 4BZ;
Jeremy Taylor, Direct Designs, Manor Farm Factory, Cricket St., Thomas Chard, Somerset (GB), TA20 4BZ

(**) Term: **14 Years**

(21) Appl. No.: **29/190,778**

(22) Filed: **Sep. 26, 2003**

(51) **LOC (8) Cl.** **07-02**

(52) **U.S. Cl.** **D7/332**

(58) **Field of Classification Search** D7/332-337,
D7/402-405, 350.1, 350.4; 126/25 R, 41 R,
126/37 R, 38, 50, 9 R, 9 B; D21/540; D29/106;
D22/104

See application file for complete search history.

(56) **References Cited**

U.S. PATENT DOCUMENTS

- 3,316,892 A * 5/1967 Hanke 126/25 R
- D271,935 S * 12/1983 Conner et al. D7/332
- D321,108 S * 10/1991 Lutter et al. D7/332
- D382,765 S * 8/1997 Kellermann D7/332
- D386,936 S * 12/1997 Stone et al. D7/332
- D416,750 S * 11/1999 Persson D7/337
- D424,364 S * 5/2000 Persson D7/337

- D444,991 S * 7/2001 Measom D7/337
- D446,991 S * 8/2001 Taniguchi et al. D7/337
- D447,664 S * 9/2001 Stephens et al. D7/337
- D463,195 S * 9/2002 Jimenez D7/332

* cited by examiner

Primary Examiner—Ruth McInroy

(74) *Attorney, Agent, or Firm*—Ostrolenk, Faber, Gerb & Soffen, LLP

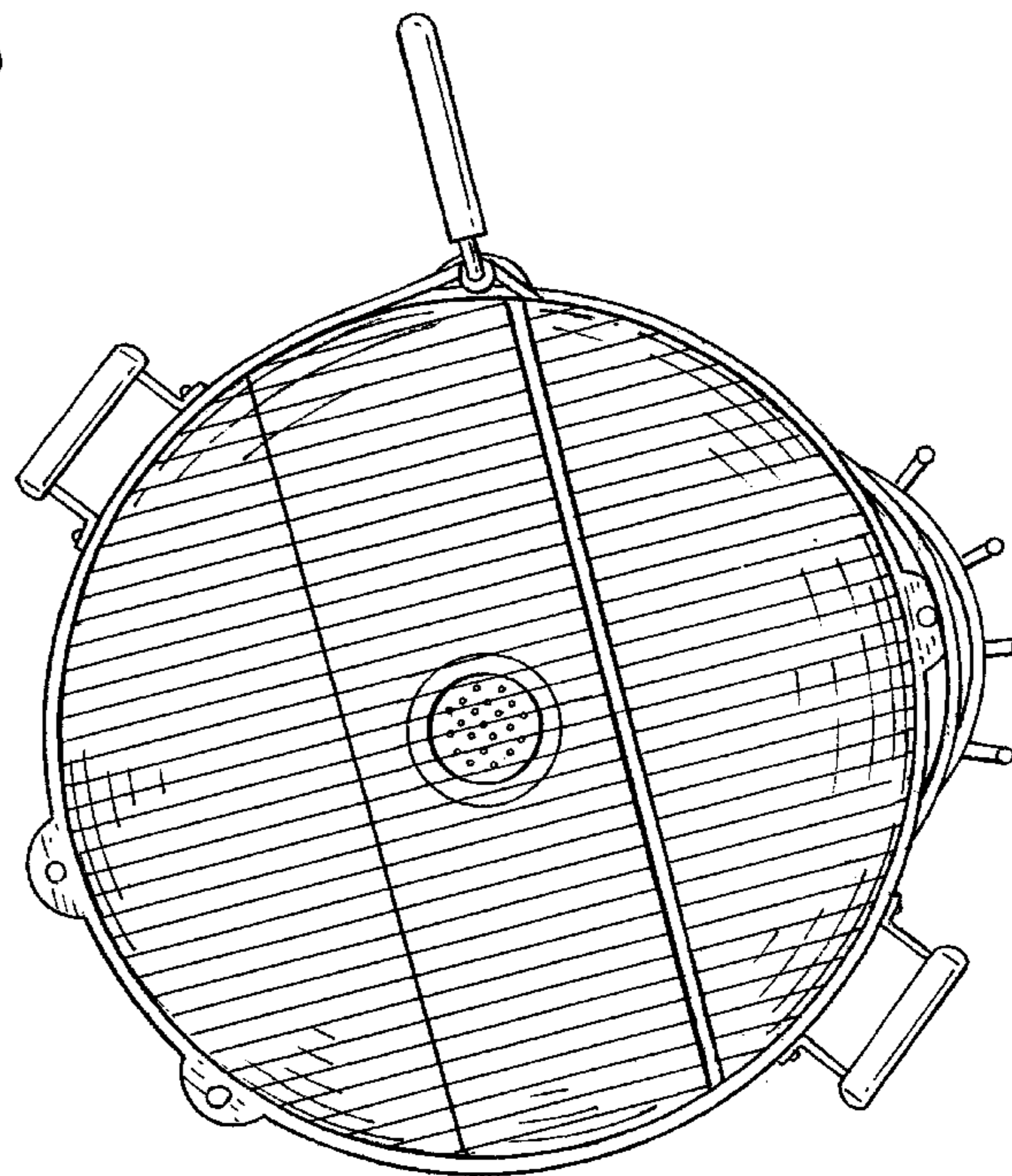
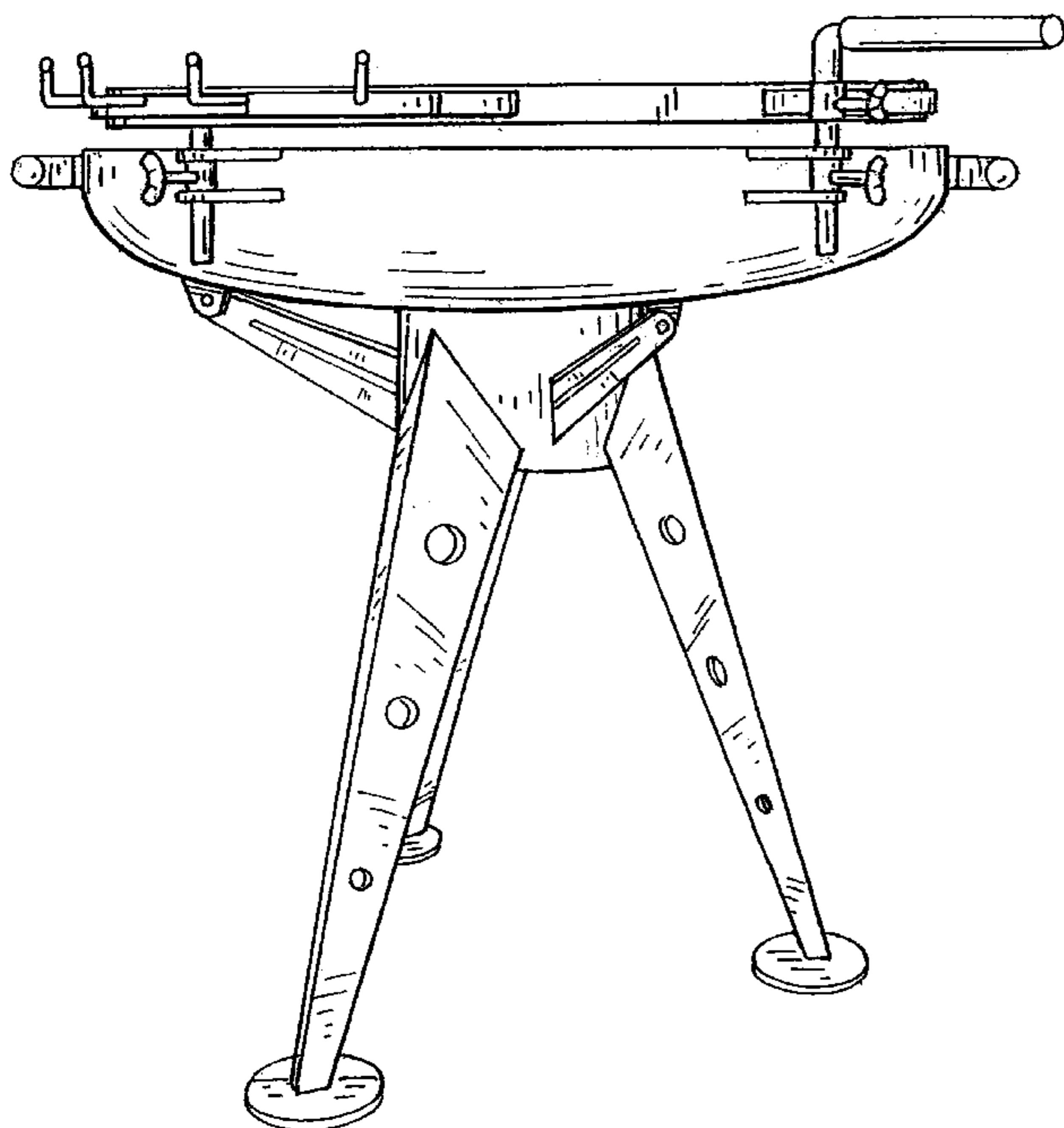
(57) **CLAIM**

The ornamental design for a combined cooking base and grill, as shown and described.

DESCRIPTION

FIG. 1 is a front view of a combined cooking base and grill showing my new design;
 FIG. 2 is a rear view thereof;
 FIG. 3 is a left side view thereof;
 FIG. 4 is a right side view thereof;
 FIG. 5 is a top view thereof;
 FIG. 6 is a bottom view thereof;
 FIG. 7 is a front view of a combined cooking base and grill;
 FIG. 8 is a rear view thereof;
 FIG. 9 is a right side view thereof;
 FIG. 10 is a left side view thereof; and,
 FIG. 11 is a top view thereof.
 FIGS. 1-6 are shown separate for clarity of illustration, the claim being directed to the entire grill shown in FIGS. 7-11.

1 Claim, 11 Drawing Sheets



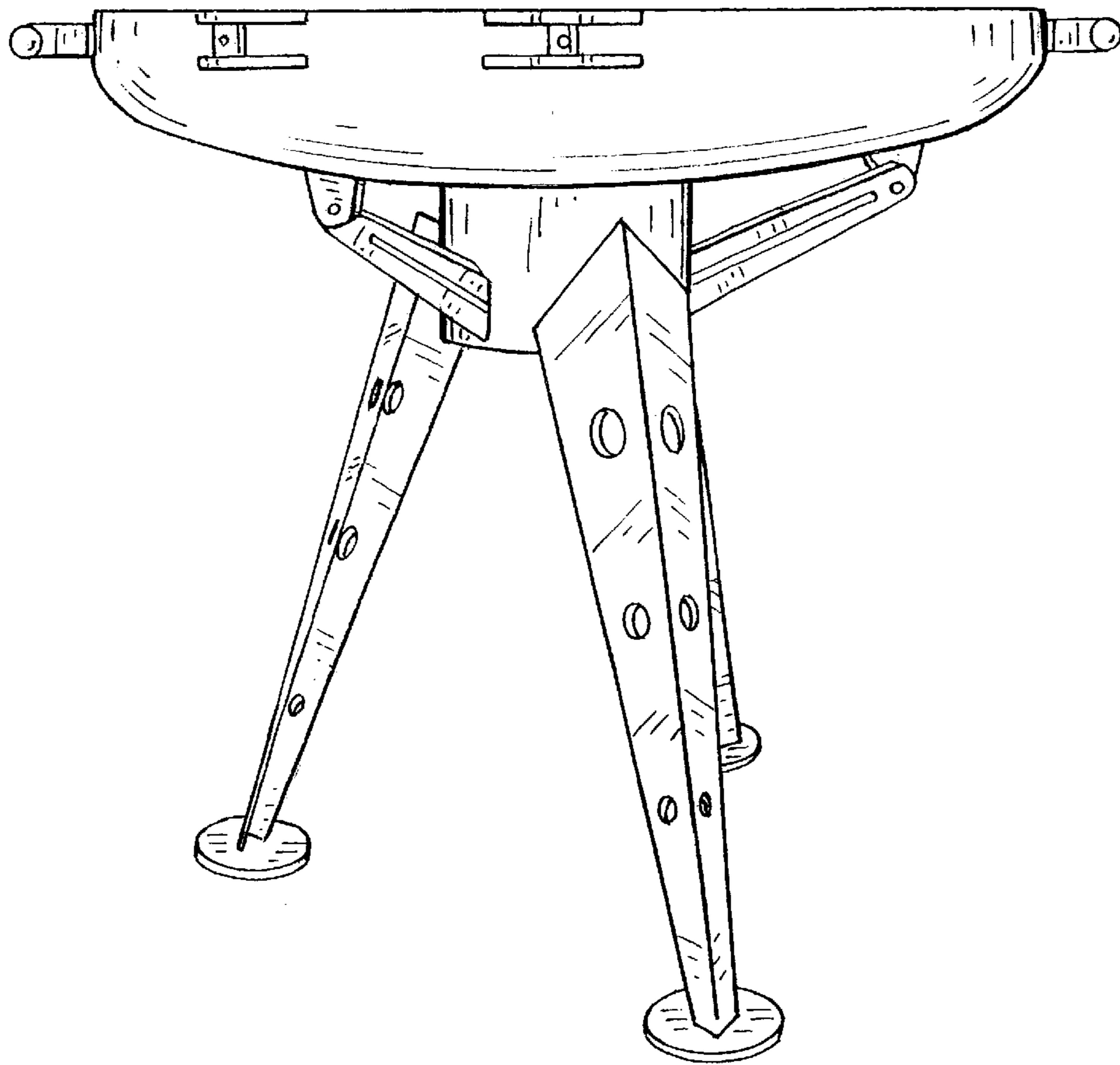


FIG. 1

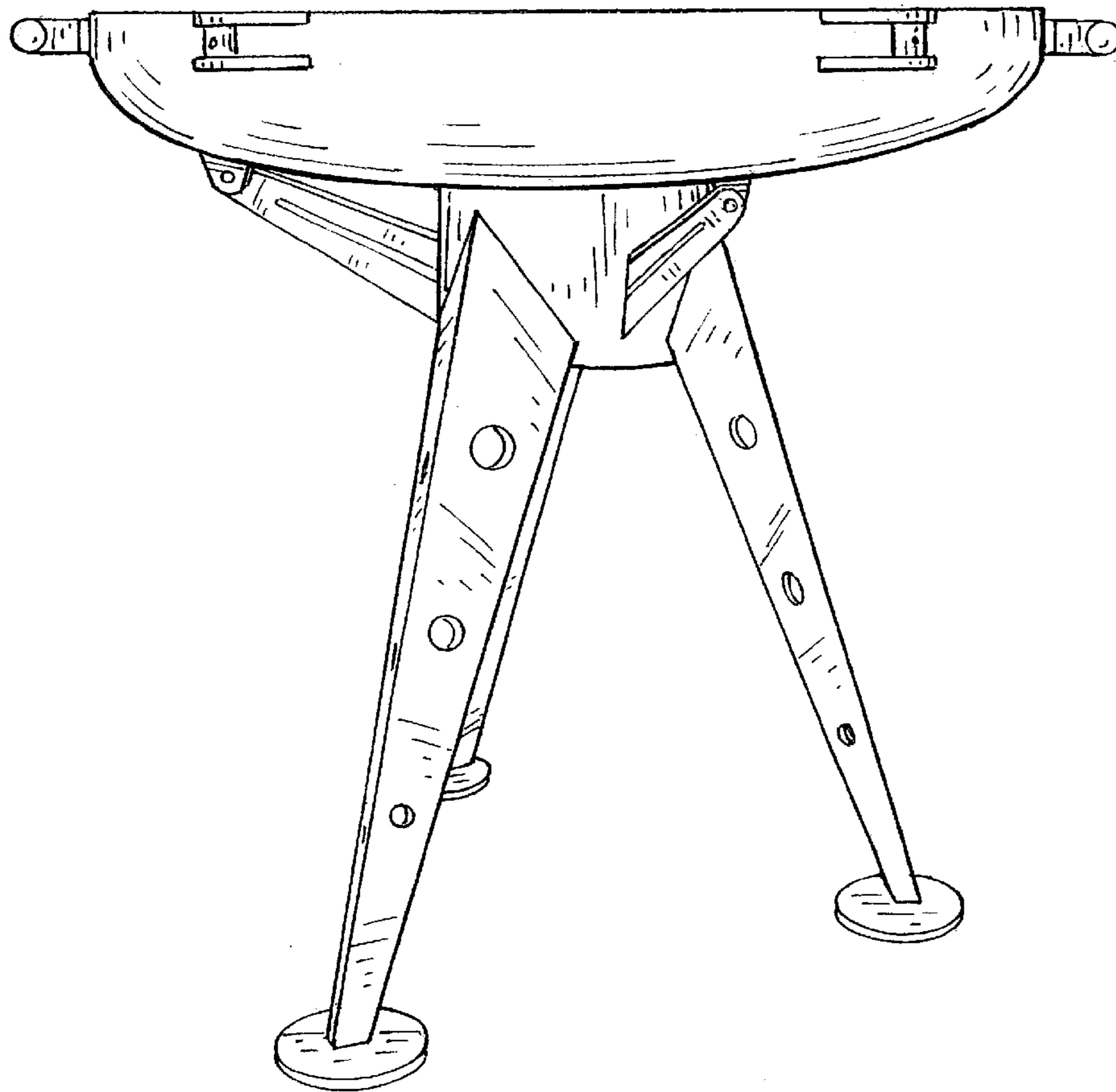


FIG.2

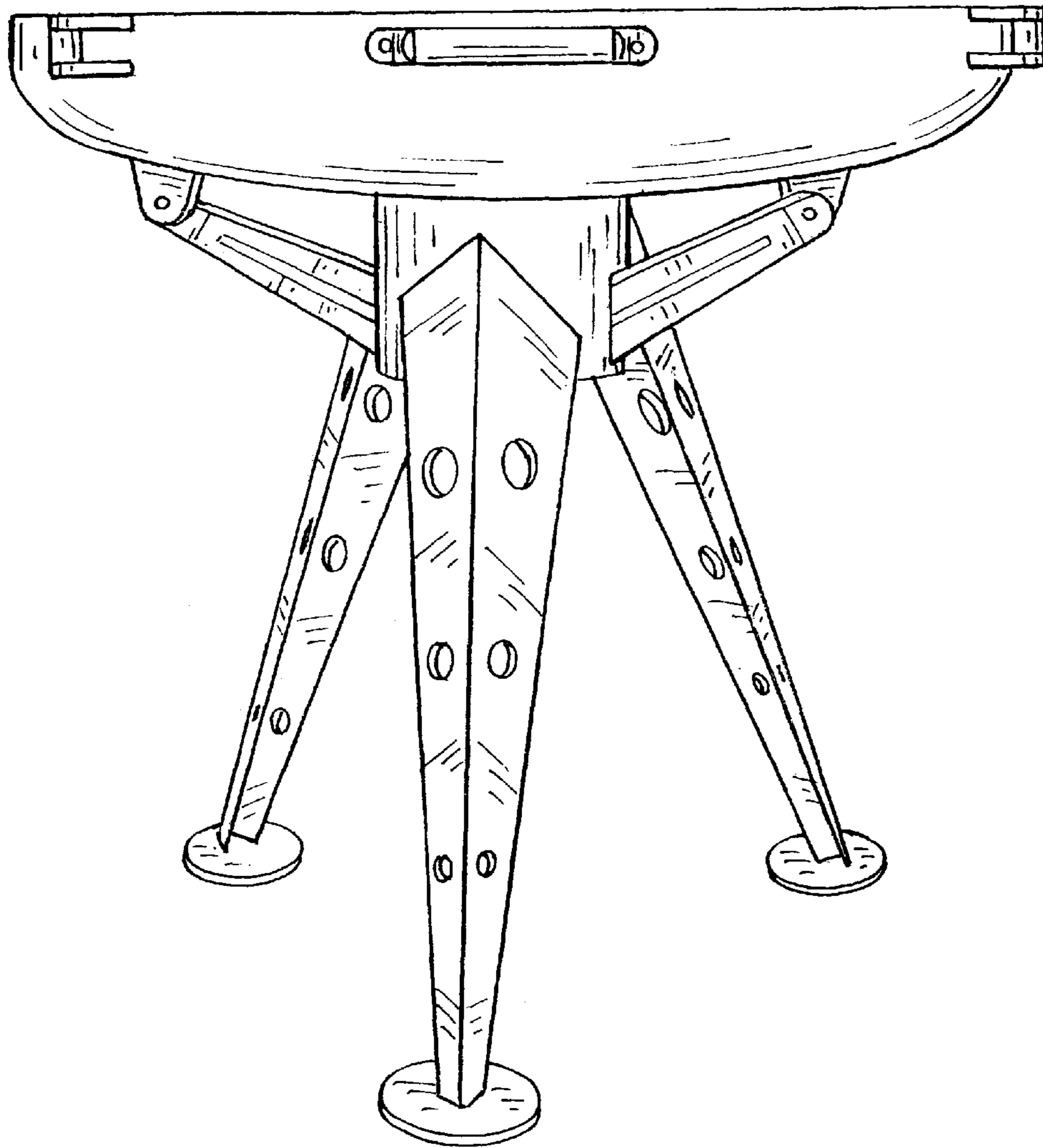


FIG.3

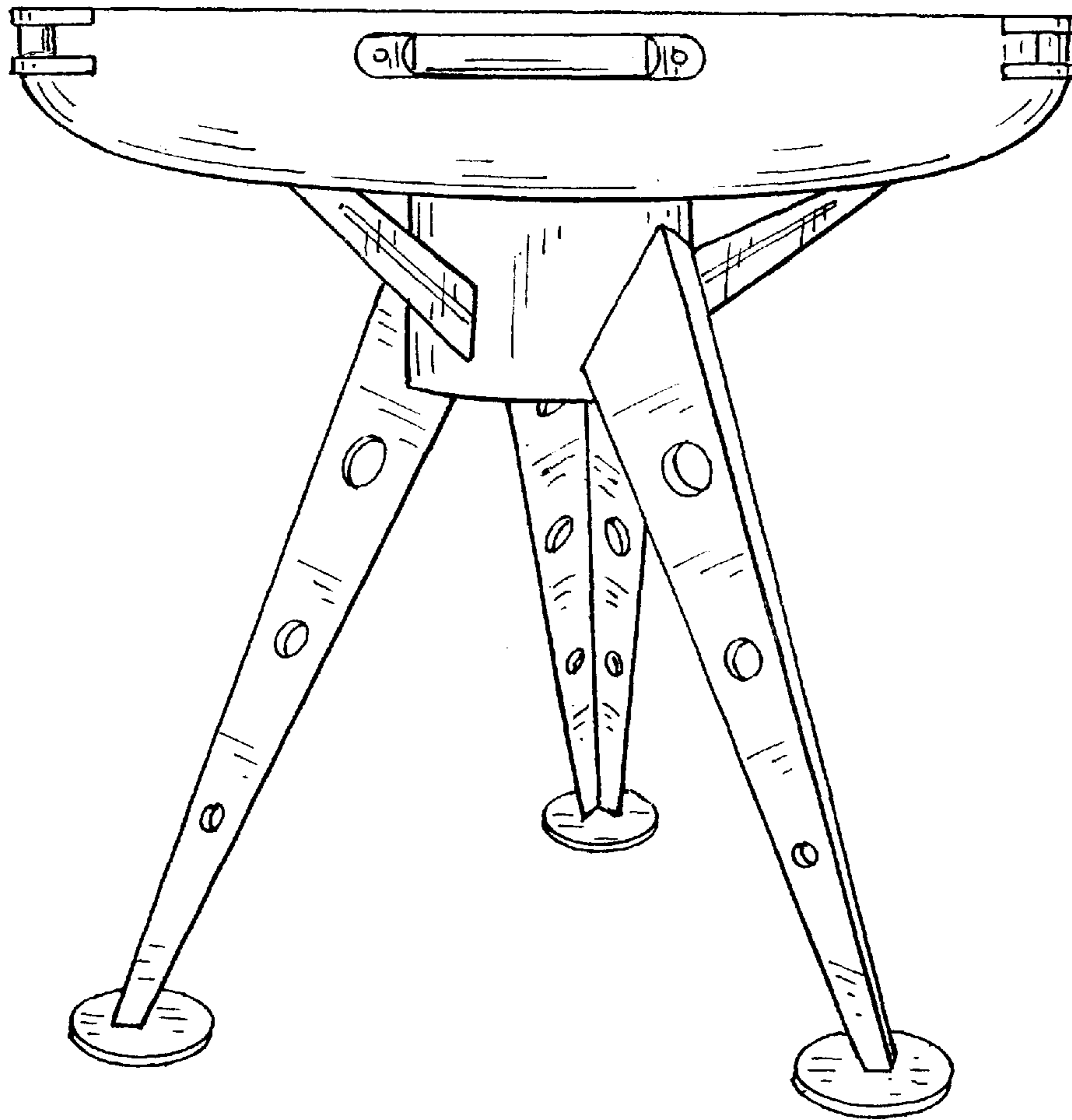


FIG.4

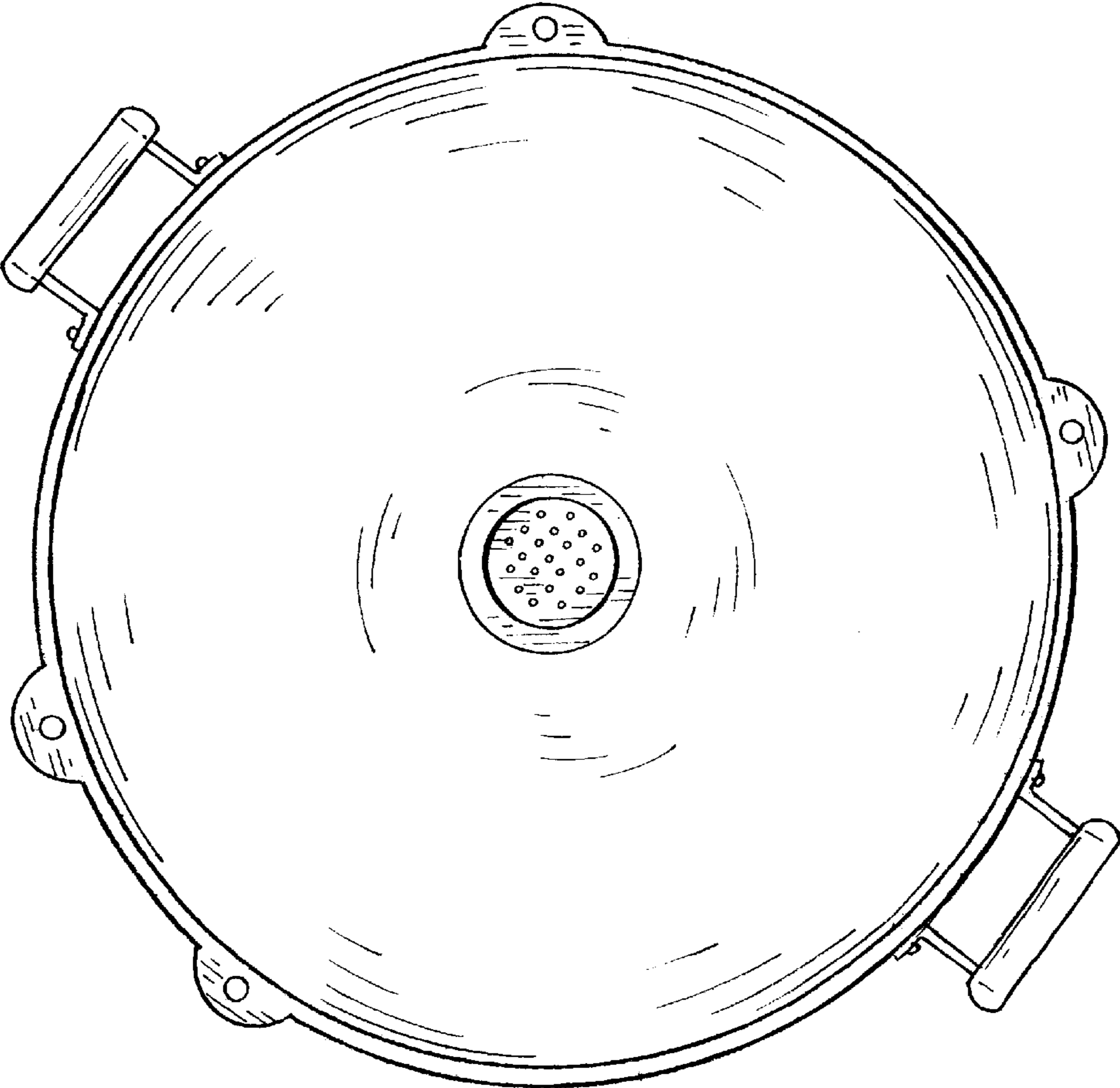


FIG.5

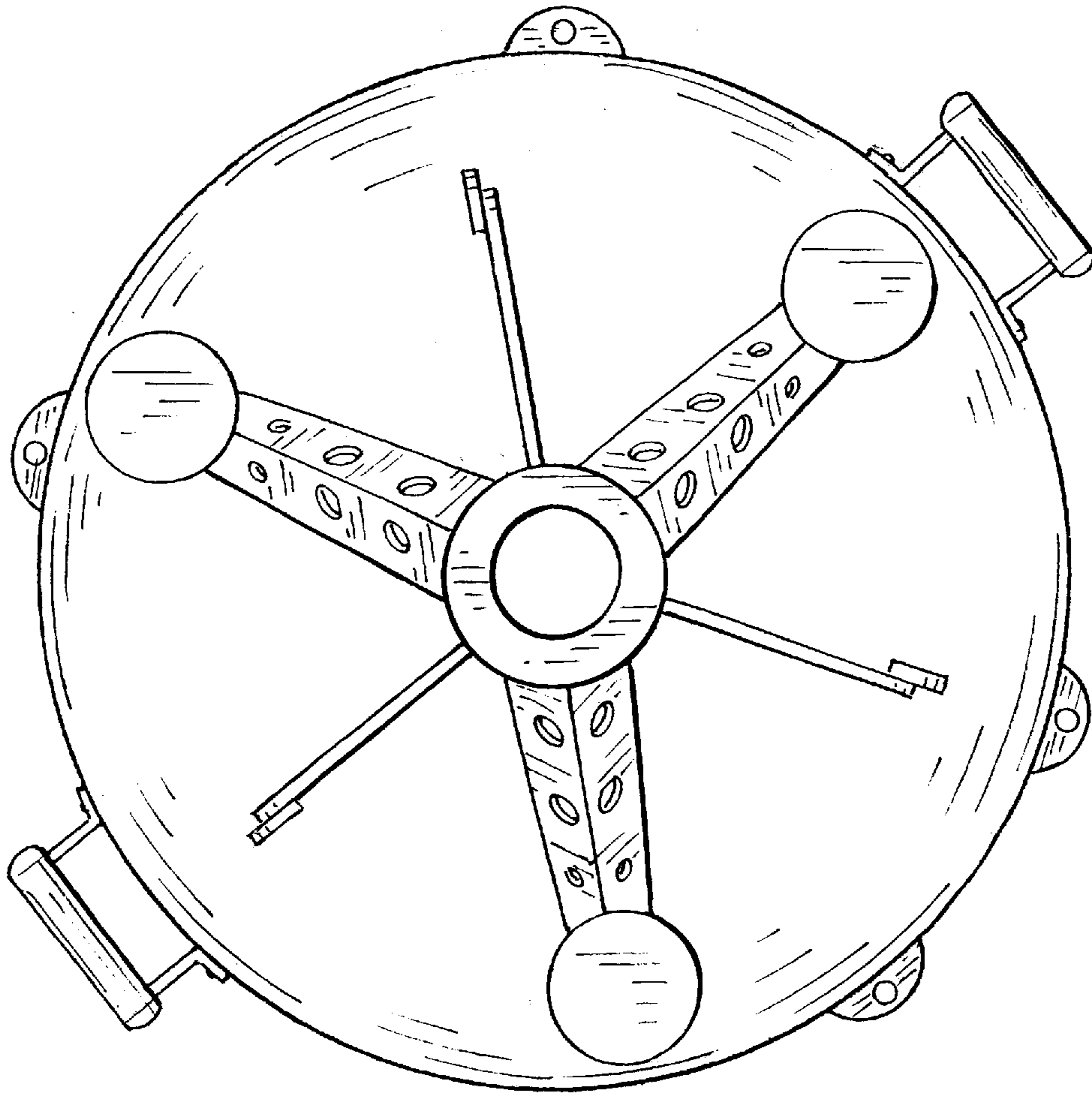


FIG.6

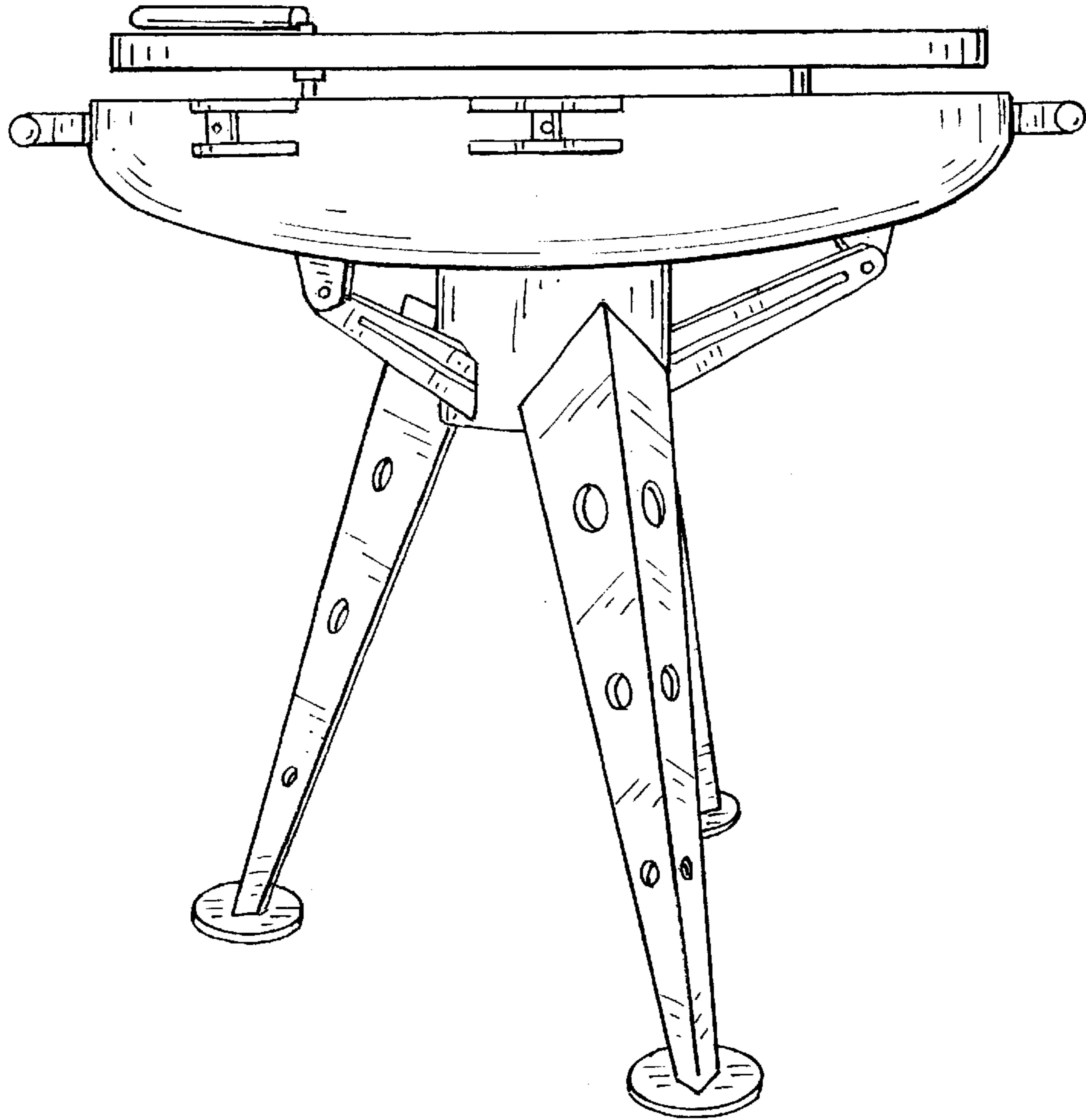


FIG.7

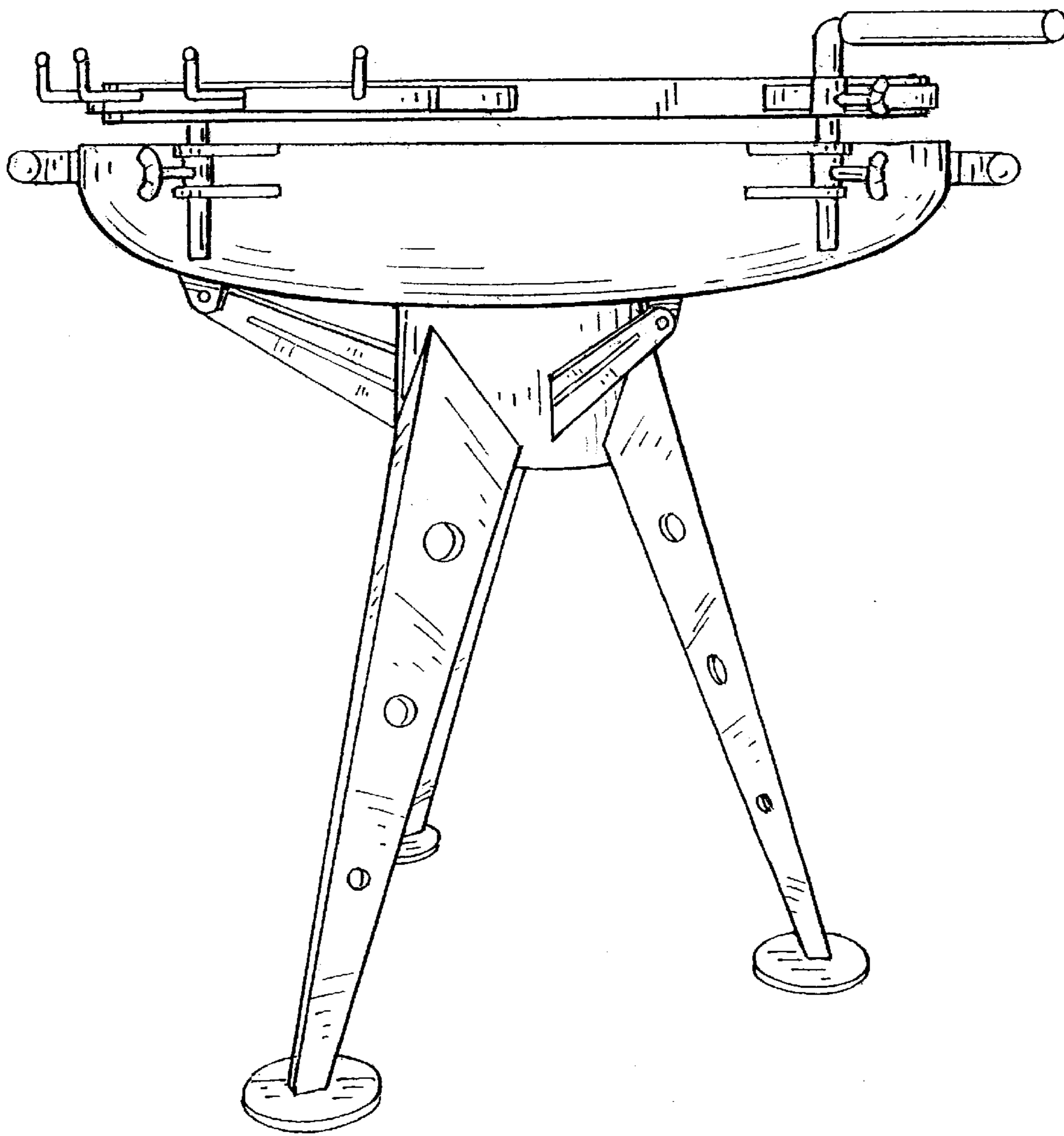


FIG.8

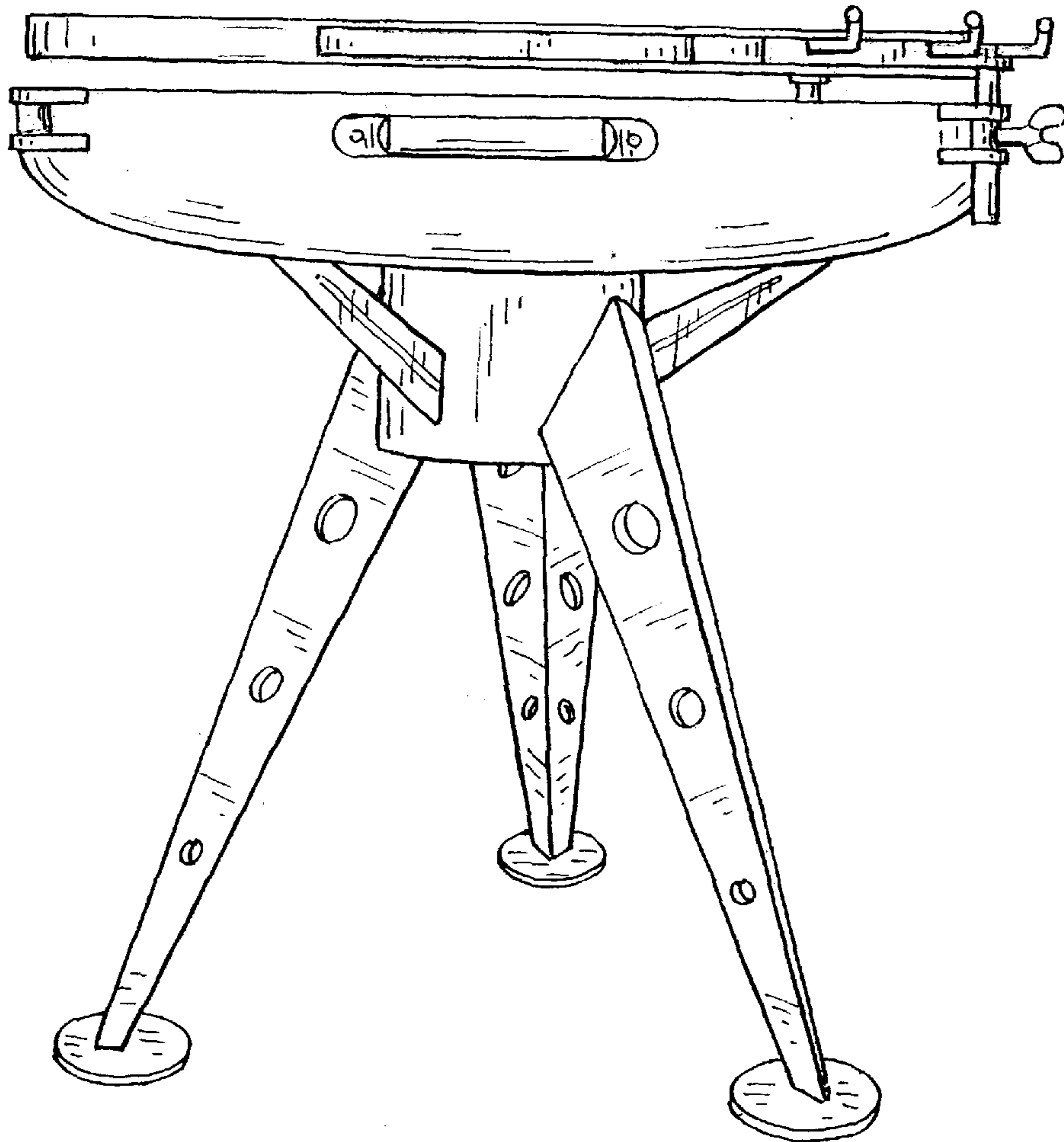


FIG. 9

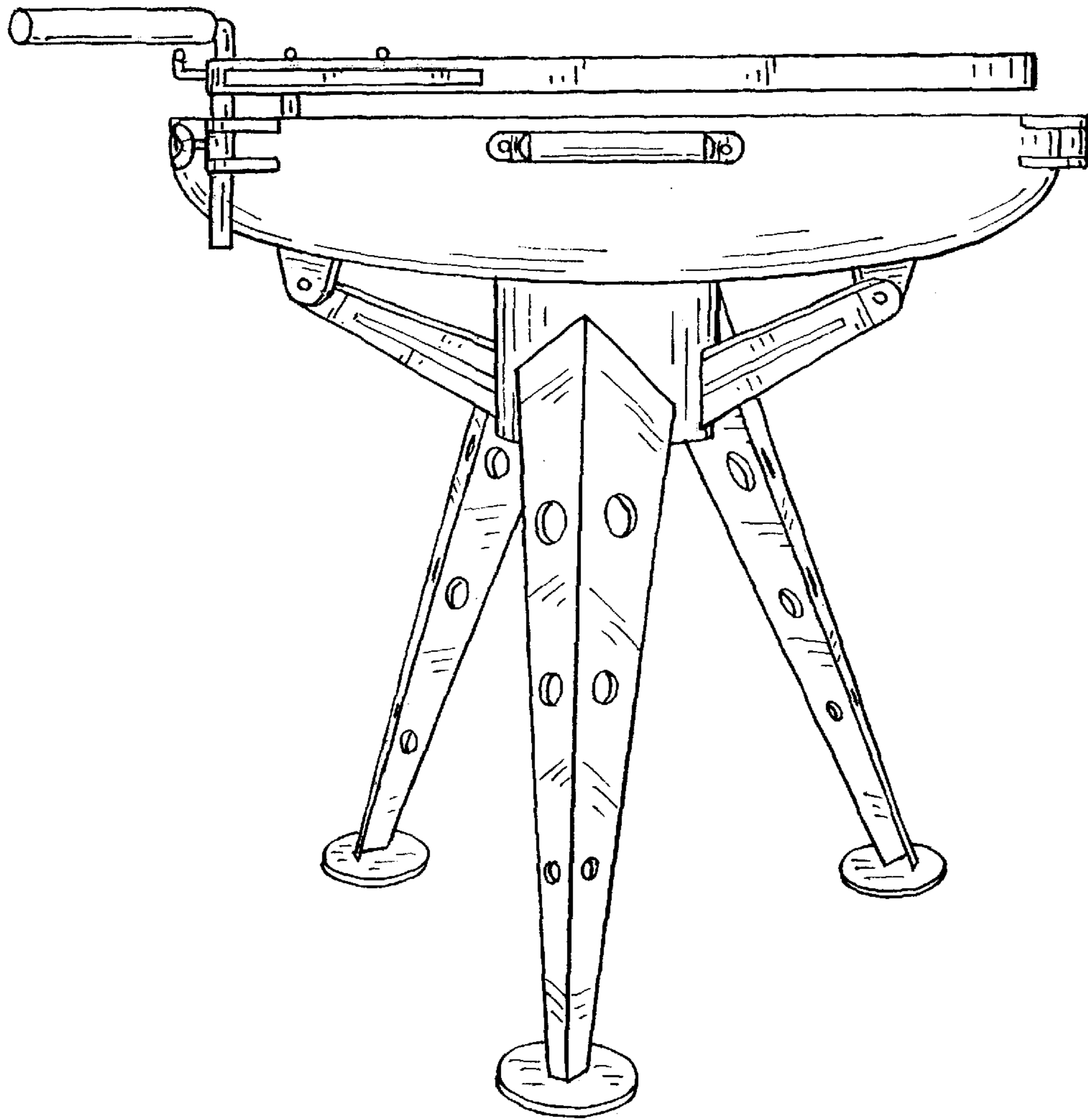


FIG. 10

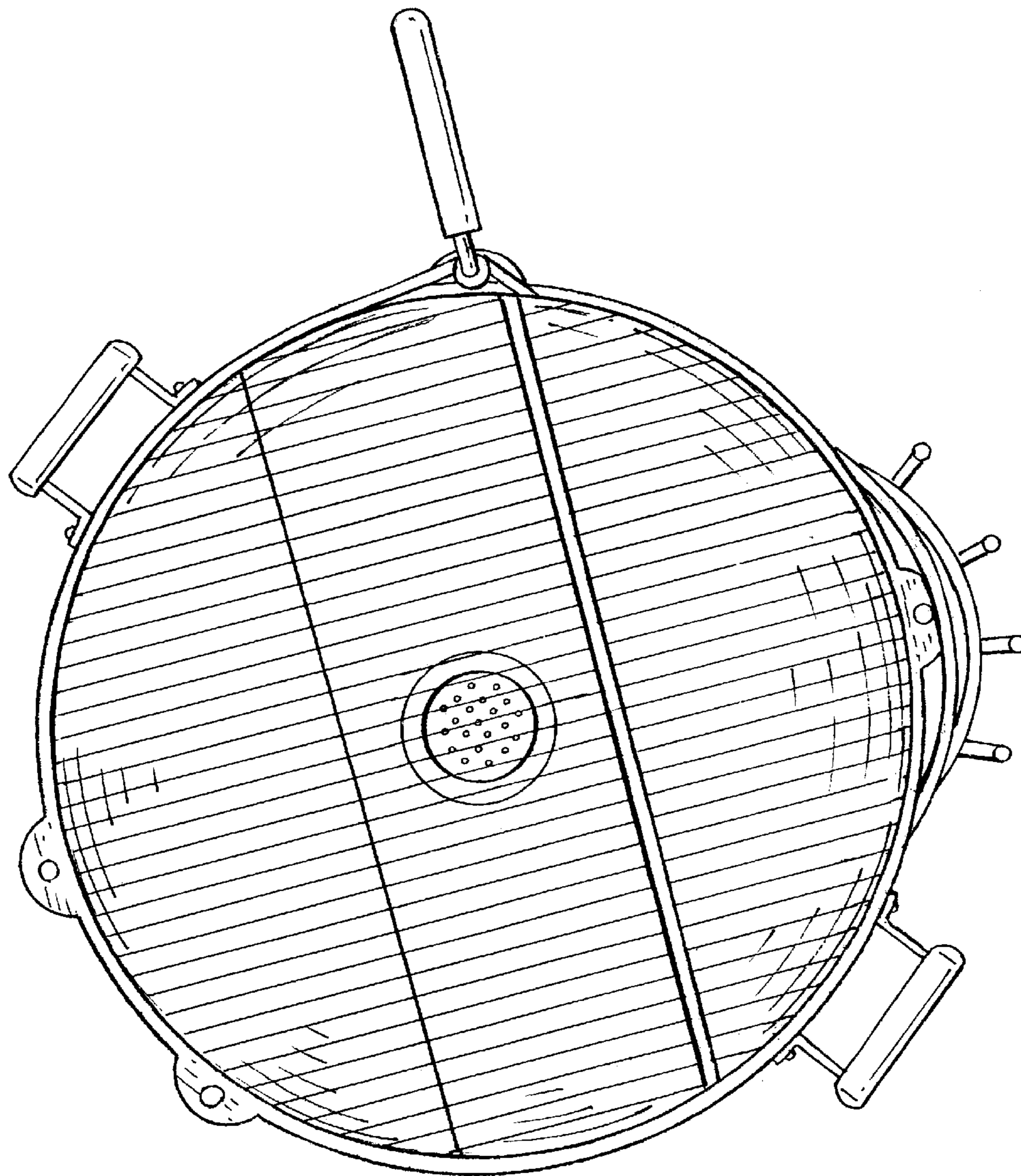


FIG. 11