



US00D524591S

(12) **United States Design Patent**
Averty

(10) **Patent No.:** **US D524,591 S**
(45) **Date of Patent:** **** Jul. 11, 2006**

(54) **TOASTER**

(75) Inventor: **Lionel Averty**, Dijon (FR)

(73) Assignee: **SEB. S.A.**, Selongey (FR)

(**) Term: **14 Years**

(21) Appl. No.: **29/219,627**

(22) Filed: **Dec. 21, 2004**

(30) **Foreign Application Priority Data**

Jun. 21, 2004 (FR) 04 3169

(51) **LOC (8) Cl.** **07-02**

(52) **U.S. Cl.** **D7/330**

(58) **Field of Classification Search** D7/323,
D7/328-333, 385, 390, 340, 341, 346, 365,
D7/367, 402, 405, 406, 407, 411; D13/158,
D13/162, 162.1, 163; D21/525; 99/331, 332,
99/357, 375, 385; 219/214, 388, 405, 443.1,
219/450.1, 492

See application file for complete search history.

(56) **References Cited**

U.S. PATENT DOCUMENTS

D383,352 S * 9/1997 Powel D7/330
D450,975 S * 11/2001 Aeschbacher D7/330
D473,094 S * 4/2003 Aeshbacher D7/330
D474,368 S * 5/2003 Averty D7/330

D488,664 S * 4/2004 Seum et al. D7/330
D489,565 S * 5/2004 Averty D7/330
D496,819 S * 10/2004 Enriquez et al. D7/330
D505,585 S * 5/2005 MacWilliam D7/330

OTHER PUBLICATIONS

Frontgate—Outfitting America’s Finest Homes, Fall 2002 Catalog, T-Fal, Item #16243 Chrome 4-Slice Toaster.*
Gilles Mac William, U.S. Appl. No. 29/196,683. (filed Jan. 5, 2004).

* cited by examiner

Primary Examiner—Caron D. Veynar

Assistant Examiner—Ricky Pham

(74) *Attorney, Agent, or Firm*—Browdy and Neimark, PLLC

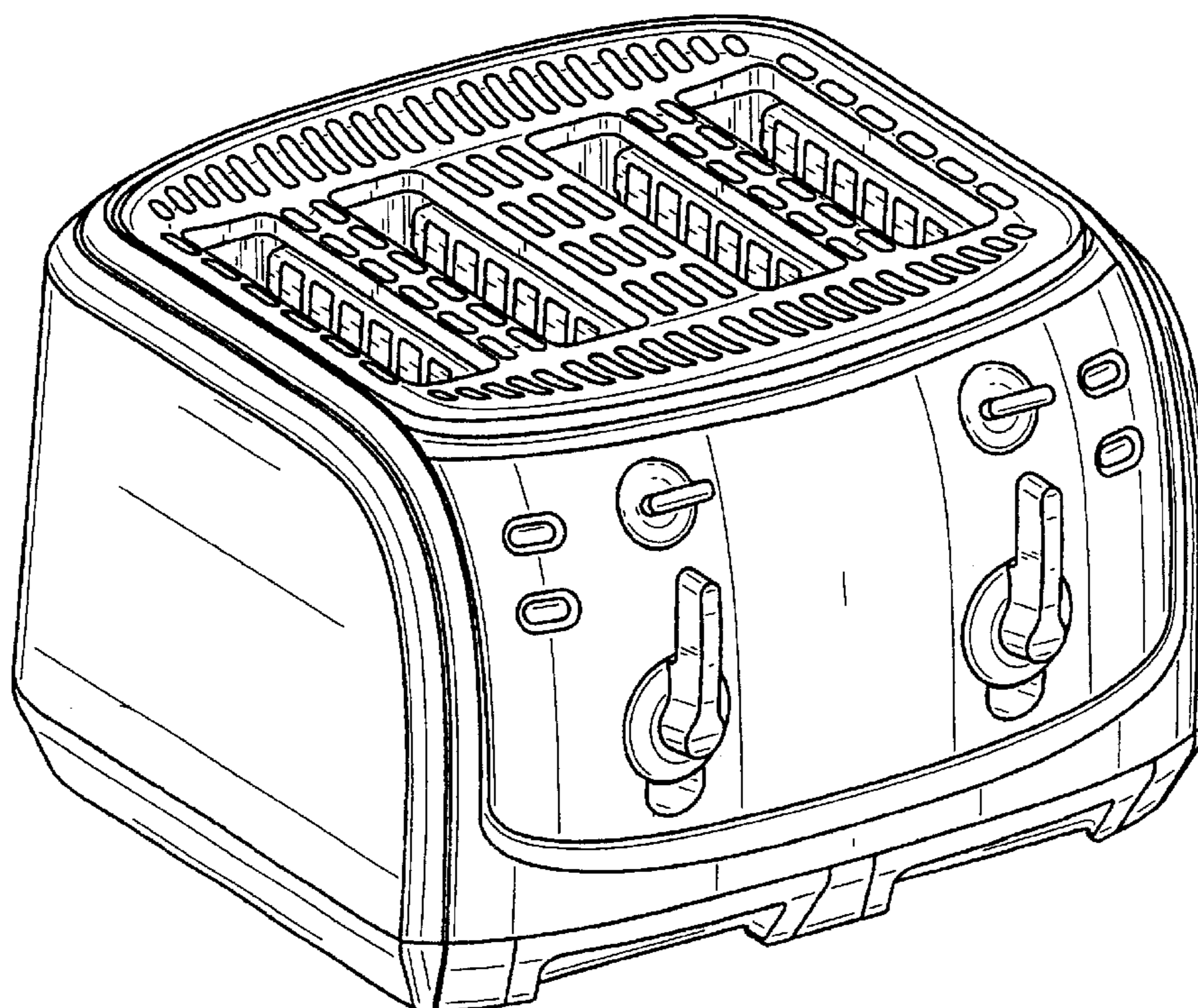
(57) **CLAIM**

The ornamental design for a toaster, as shown.

DESCRIPTION

FIG. 1 is a front elevational view of a toaster showing my new design;
FIG. 2 is a rear elevational view thereof;
FIG. 3 is a left side elevational view thereof;
FIG. 4 is a right side elevational view thereof;
FIG. 5 is a top plan view thereof;
FIG. 6 is a bottom plan view thereof; and,
FIG. 7 is a three quarter perspective view thereof.

1 Claim, 7 Drawing Sheets



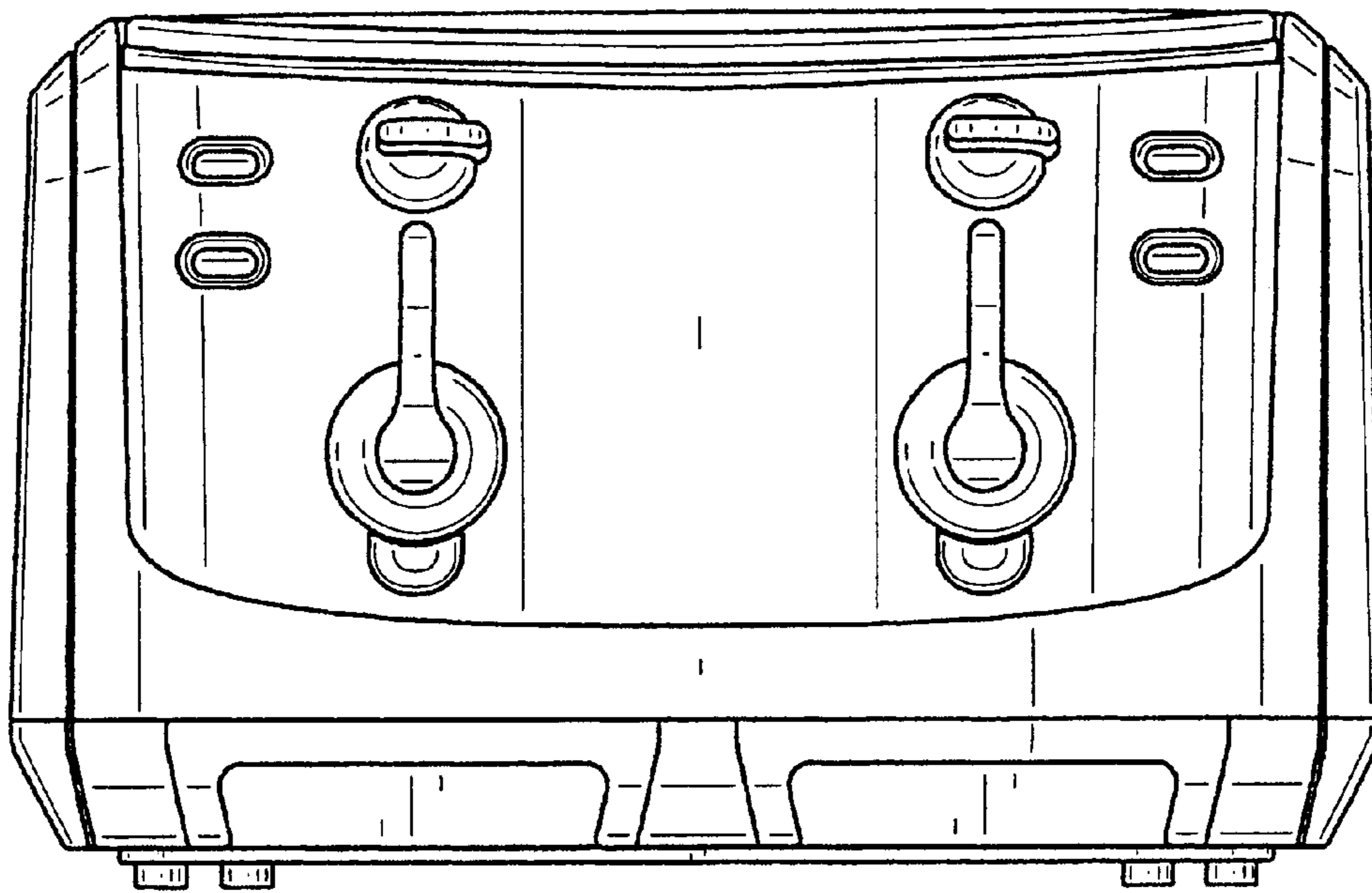


FIG. 1

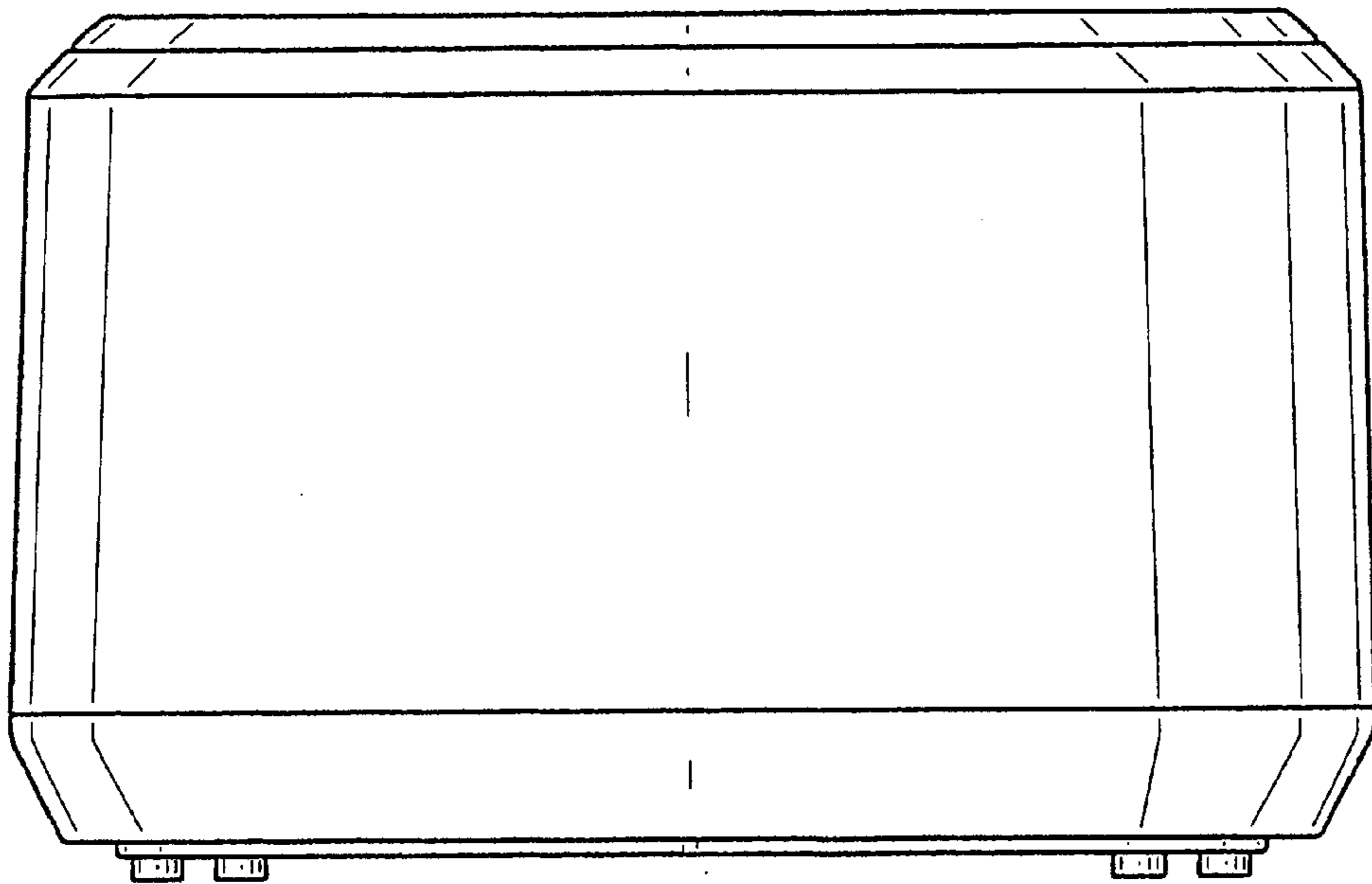


FIG. 2

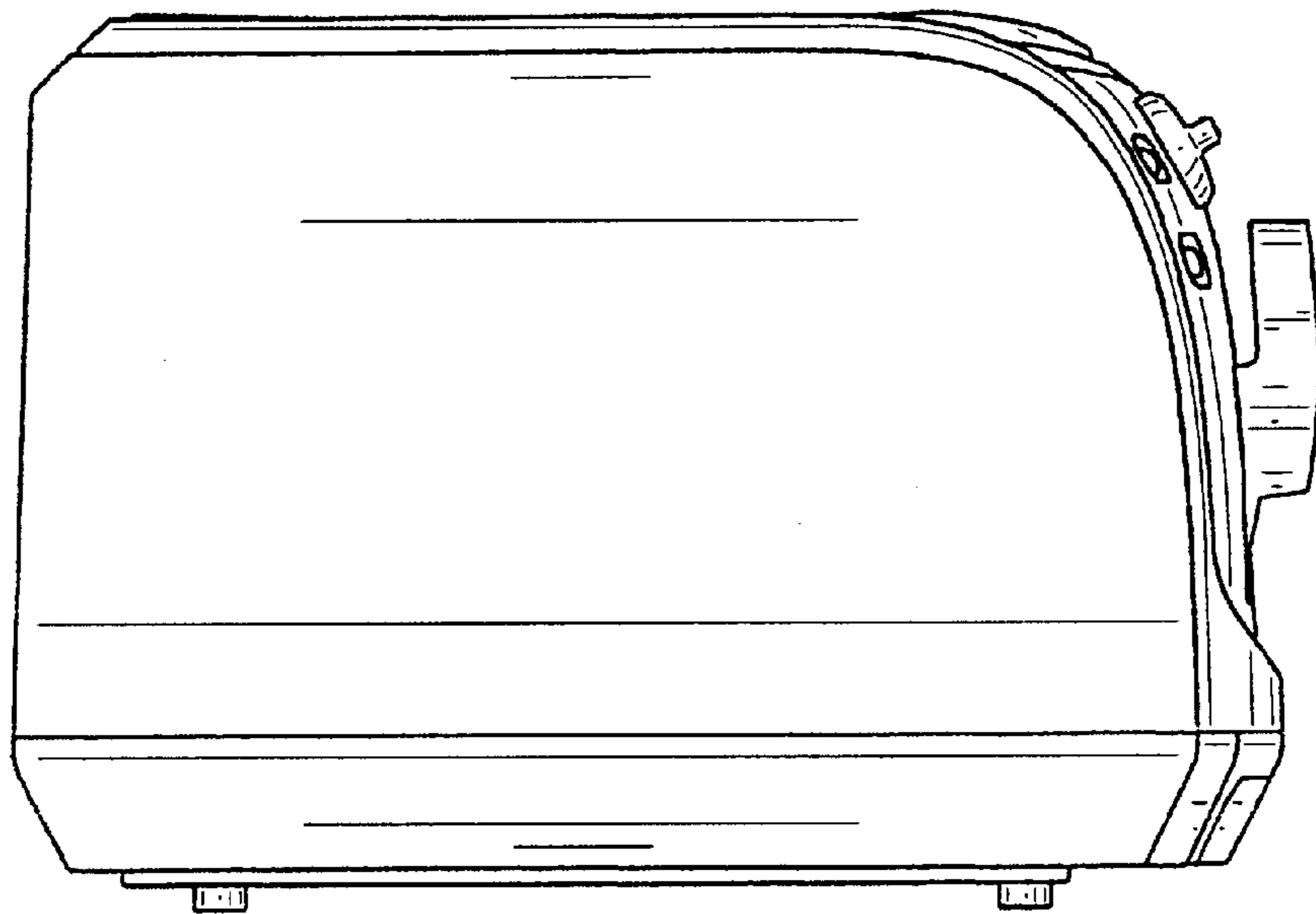


FIG. 3

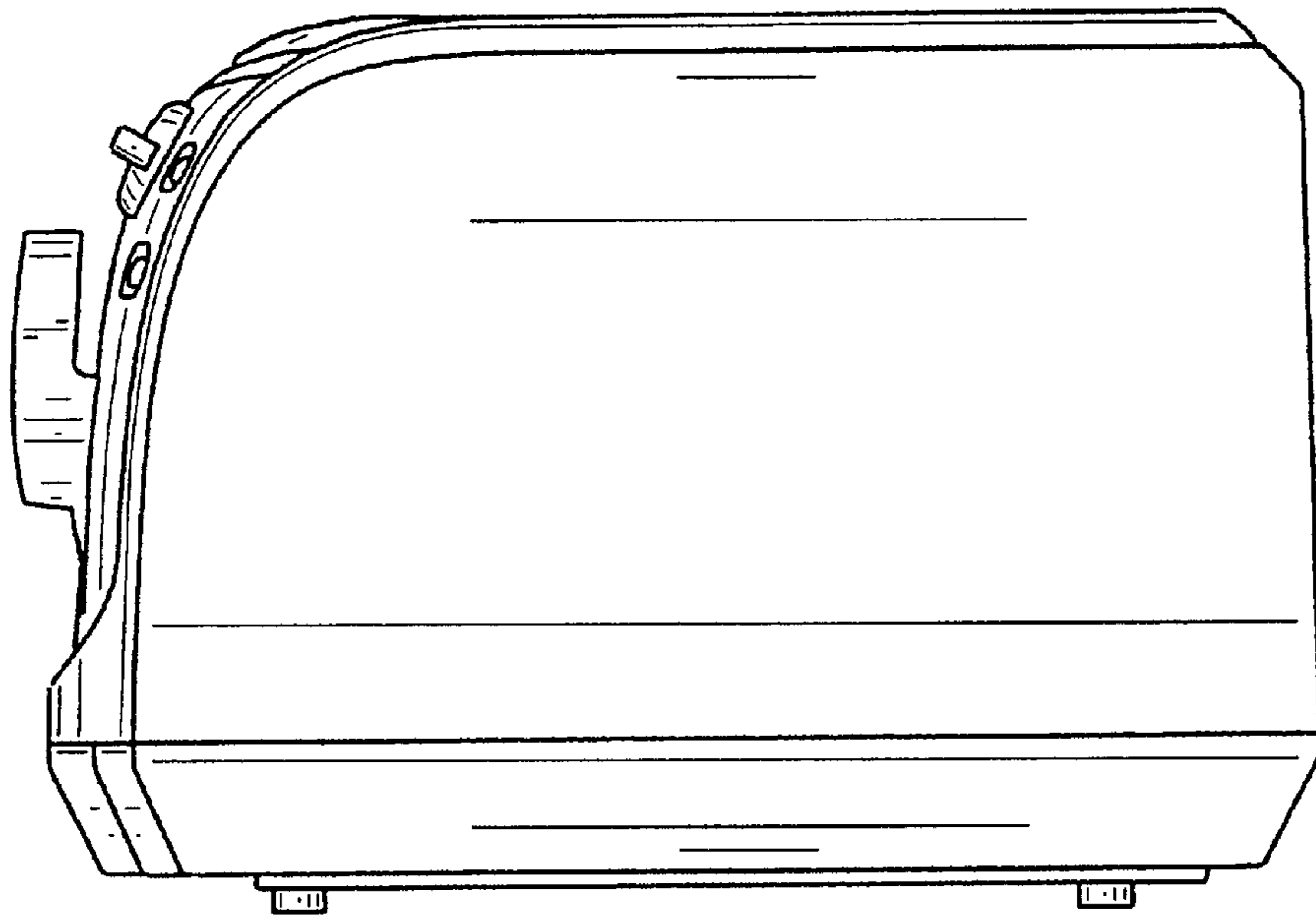


FIG. 4

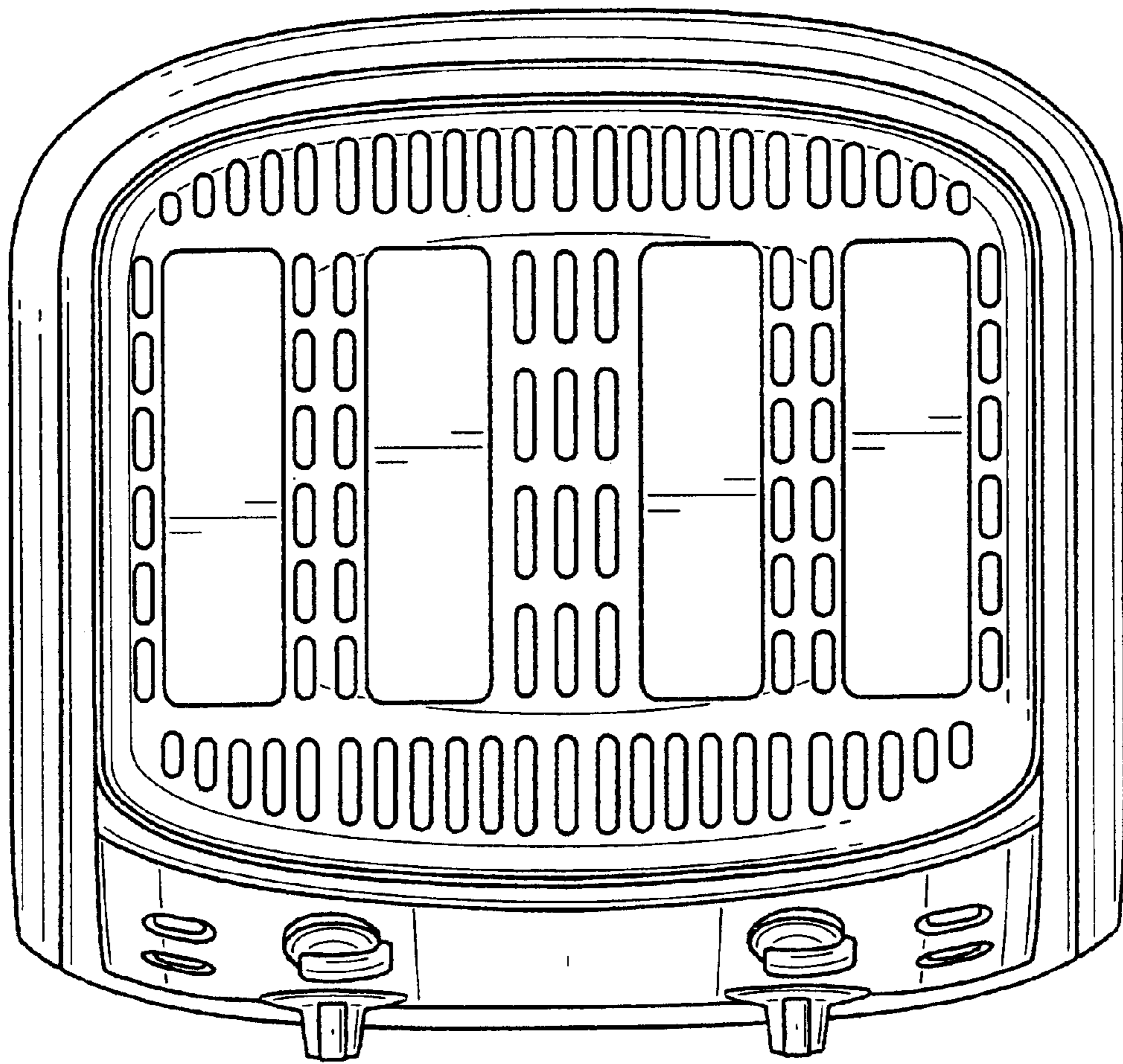


FIG. 5

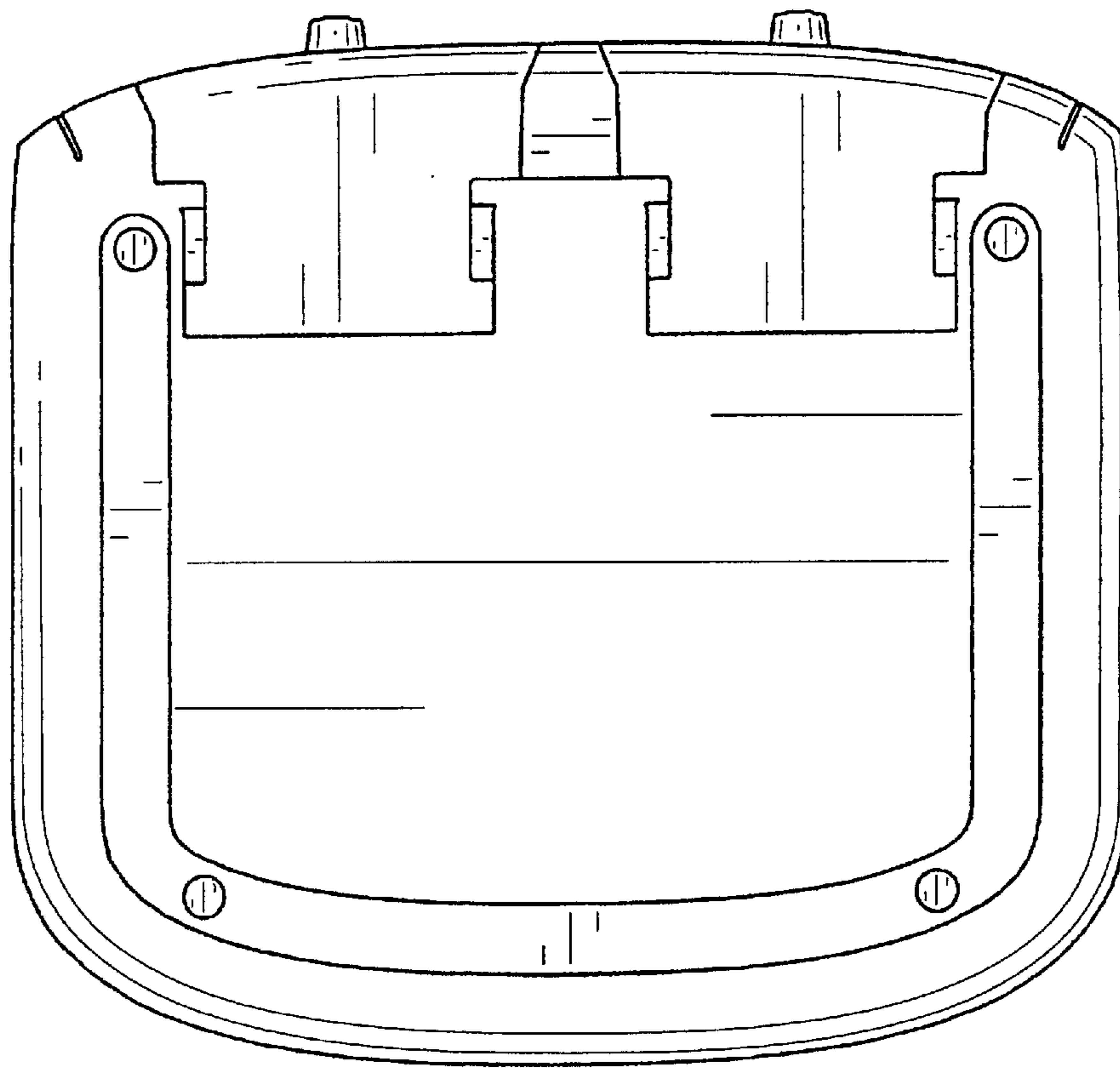


FIG. 6

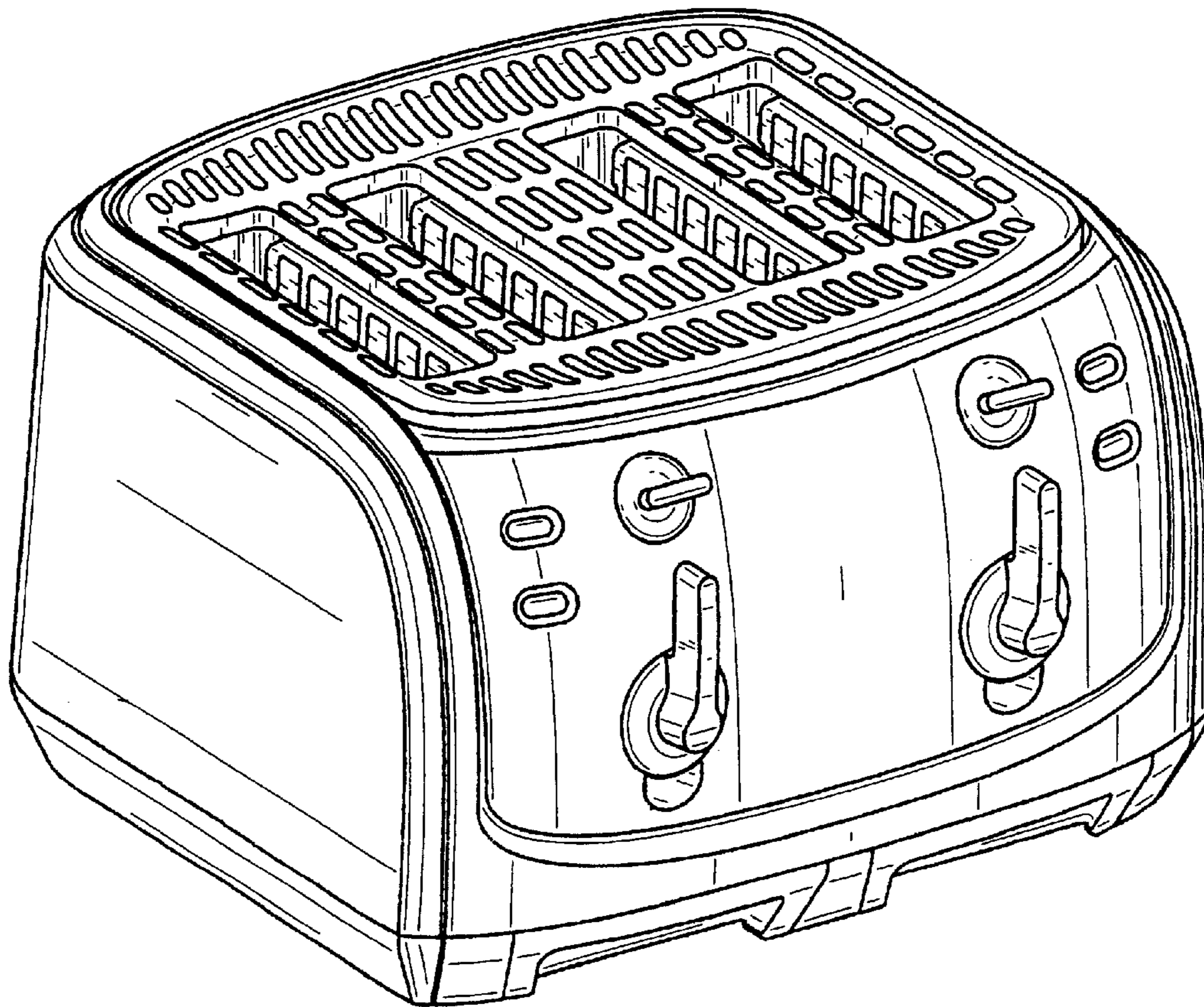


FIG. 7