



US00D524590S

(12) **United States Design Patent**
Bodum

(10) **Patent No.:** **US D524,590 S**

(45) **Date of Patent:** **** Jul. 11, 2006**

(54) **TEAPOT**

(75) **Inventor:** **Jørgen Bodum, Niklausen (CH)**

(73) **Assignee:** **Pi-Design AG (CH)**

(**) **Term:** **14 Years**

(21) **Appl. No.:** **29/204,947**

(22) **Filed:** **May 7, 2004**

(30) **Foreign Application Priority Data**

Nov. 11, 2003 (DK) DA 2003 00493

(51) **LOC (8) Cl.** **07-01**

(52) **U.S. Cl.** **D7/321; D7/312**

(58) **Field of Classification Search** D7/300,
D7/312, 302, 321, 322; 116/67 R; 220/318;
222/468, 146.6, 466

See application file for complete search history.

(56) **References Cited**

U.S. PATENT DOCUMENTS

- 4,385,585 A * 5/1983 Lebowitz 116/67 R
- D274,595 S * 7/1984 Lebowitz D7/322
- D282,810 S * 3/1986 Urich D7/322

- D381,239 S * 7/1997 Chen D7/322
- D407,943 S * 4/1999 Chen D7/322
- D435,386 S * 12/2000 Ancona et al. D7/322
- D478,243 S * 8/2003 Lebowitz D7/322
- 6,722,534 B1 * 4/2004 Staub 222/466
- D495,193 S * 8/2004 Moore et al. D7/321
- D497,511 S * 10/2004 Lebowitz D7/322

* cited by examiner

Primary Examiner—M. N. Pandozzi

(74) *Attorney, Agent, or Firm*—Nath & Associates PLLC;
Gregory B. King; Derek Richmond

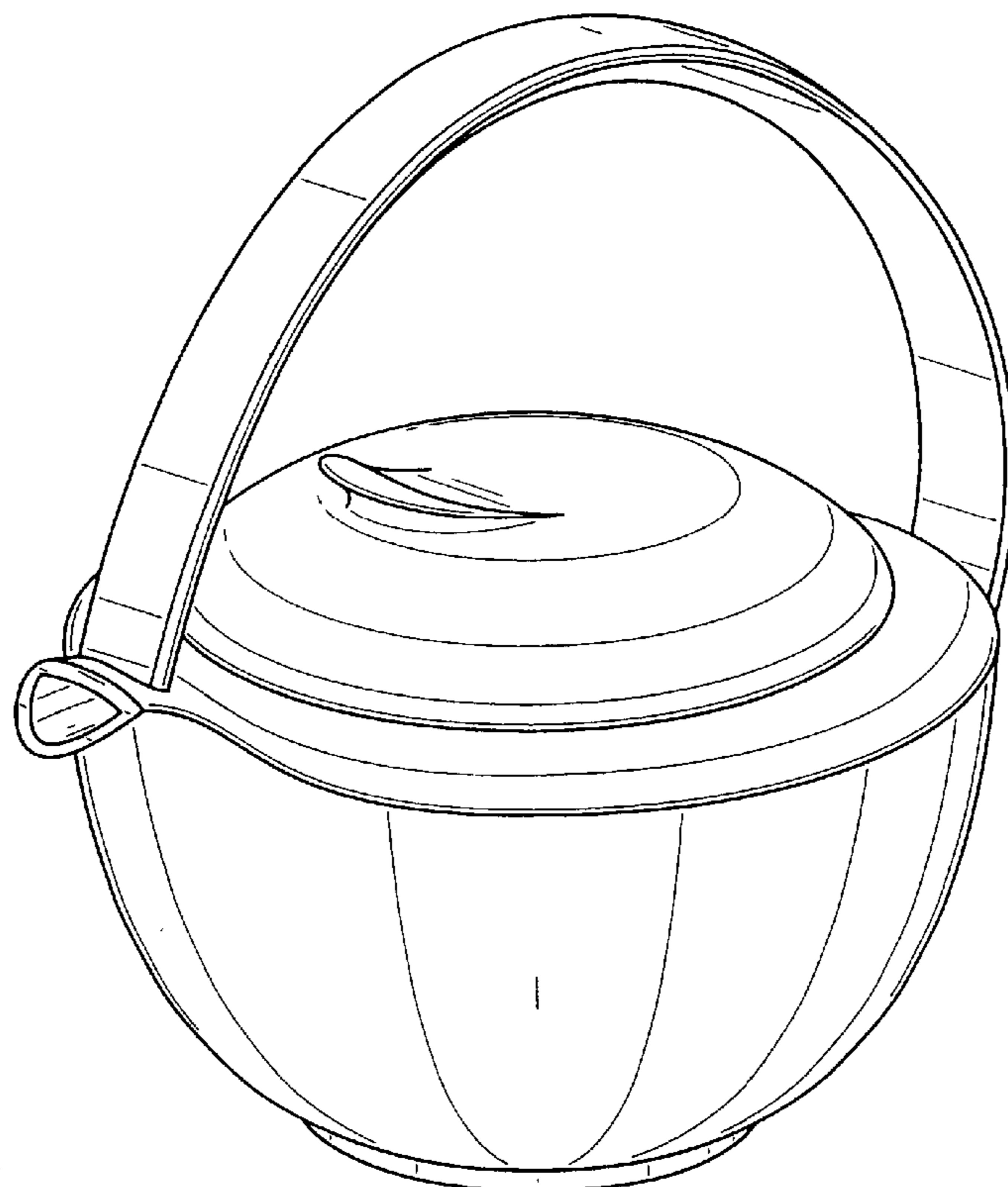
(57) **CLAIM**

The ornamental design for a teapot, as shown and described.

DESCRIPTION

FIG. 1 is an oblique perspective view of a teapot;
FIG. 2 is a front view of the teapot;
FIG. 3 is a rear view of the teapot;
FIG. 4 is a right side view of the teapot;
FIG. 5 is a left side view of the teapot;
FIG. 6 is a top view of the teapot; and,
FIG. 7 is a bottom view of the teapot.

1 Claim, 7 Drawing Sheets



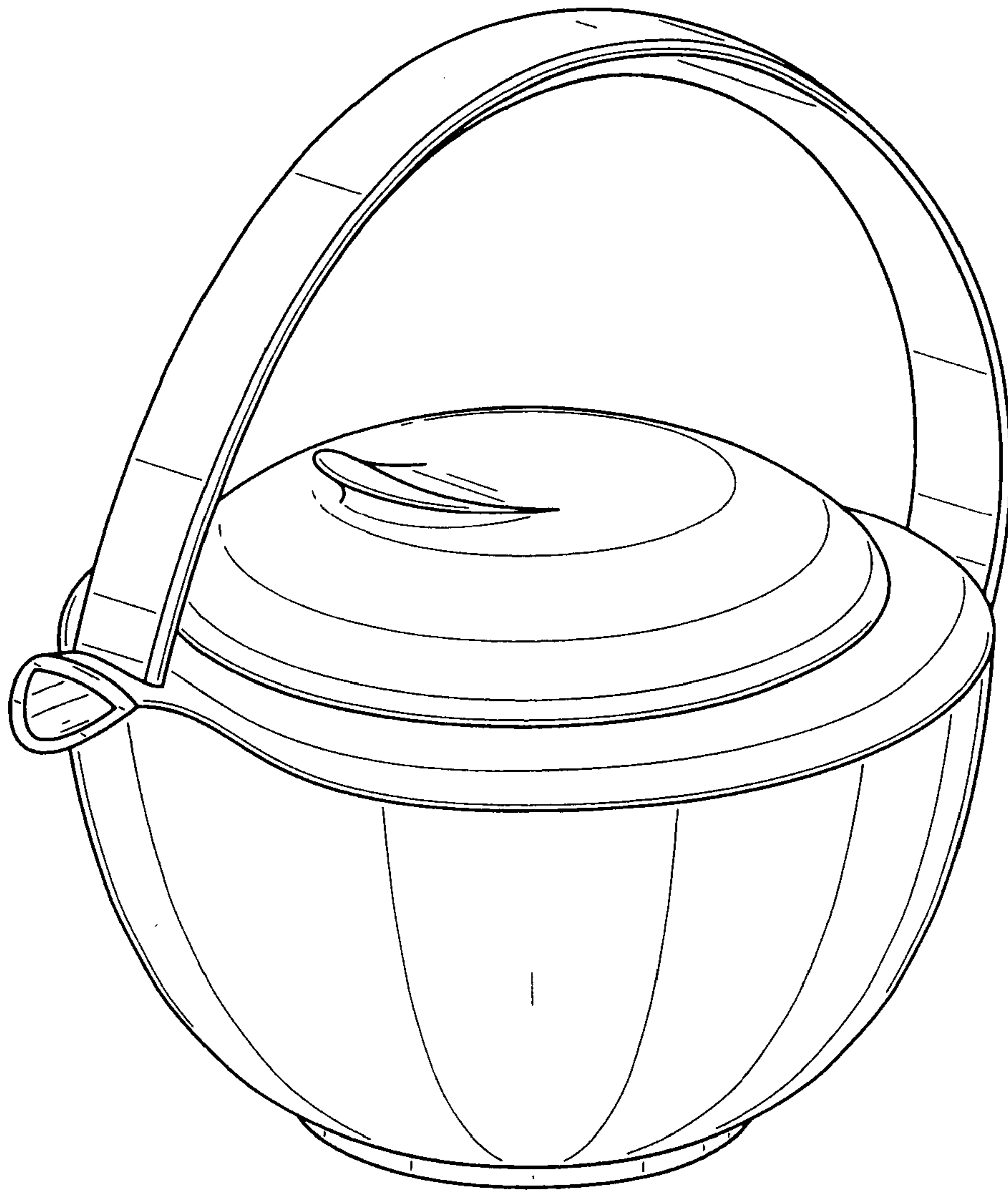


FIG. 1

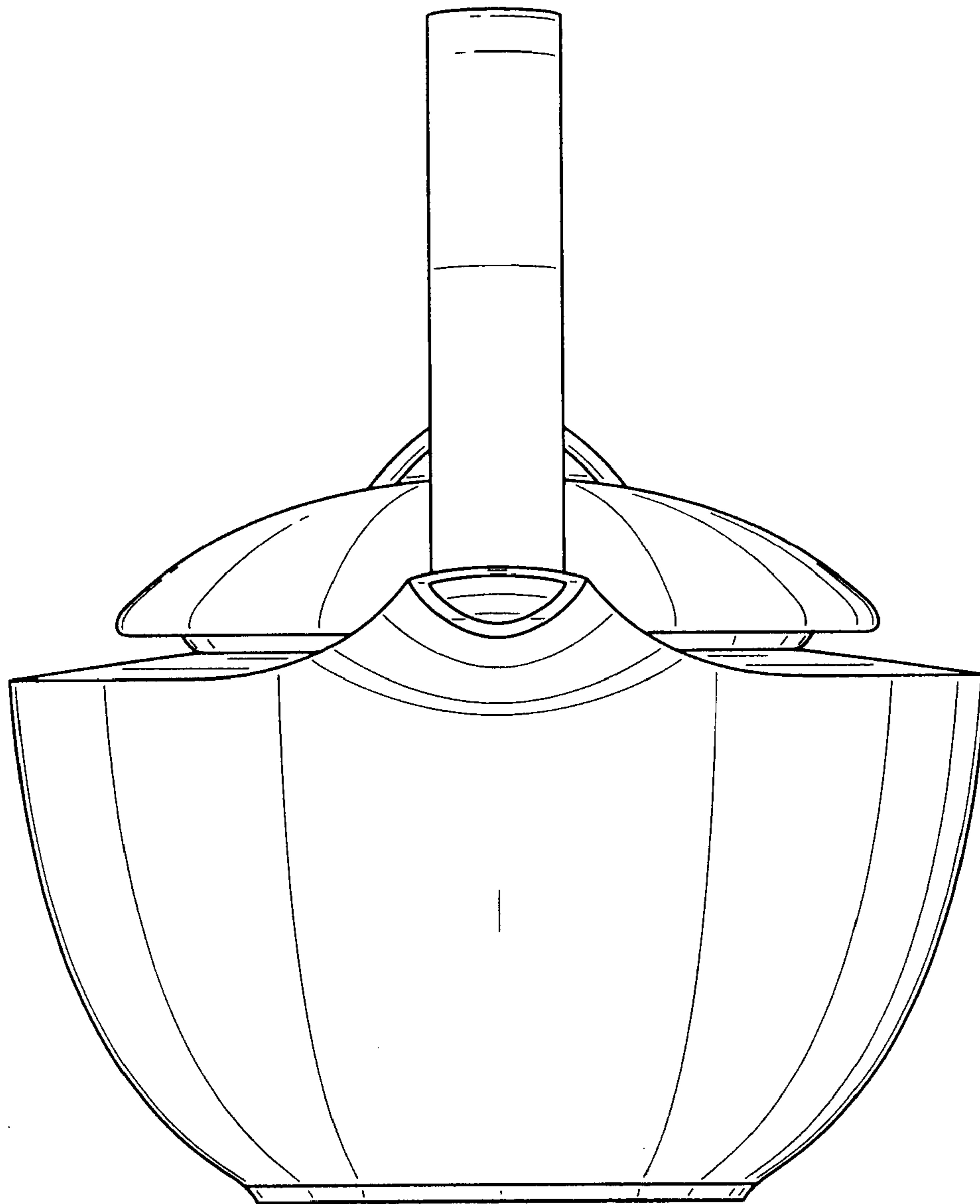


FIG. 2

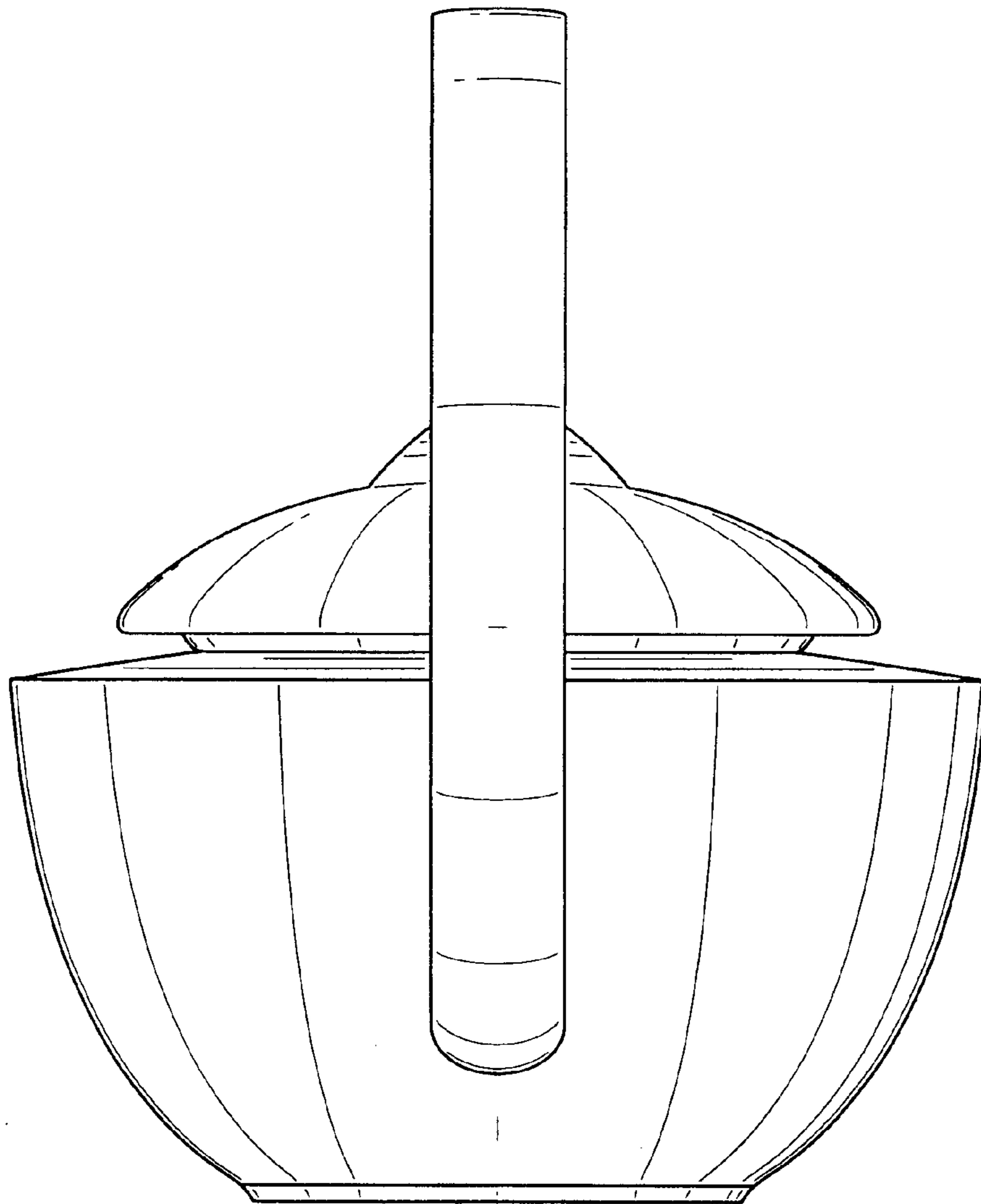


FIG. 3

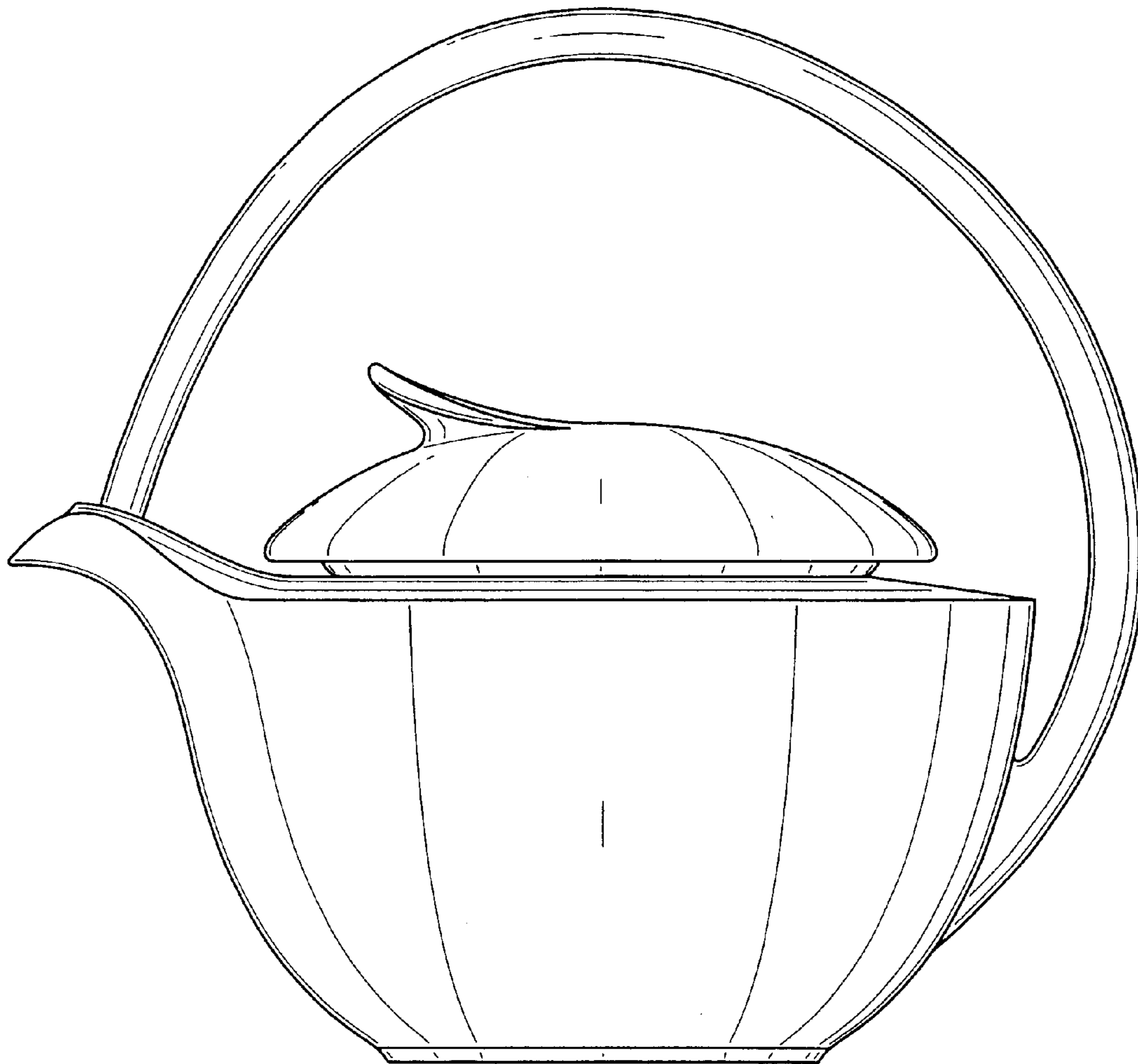


FIG. 4

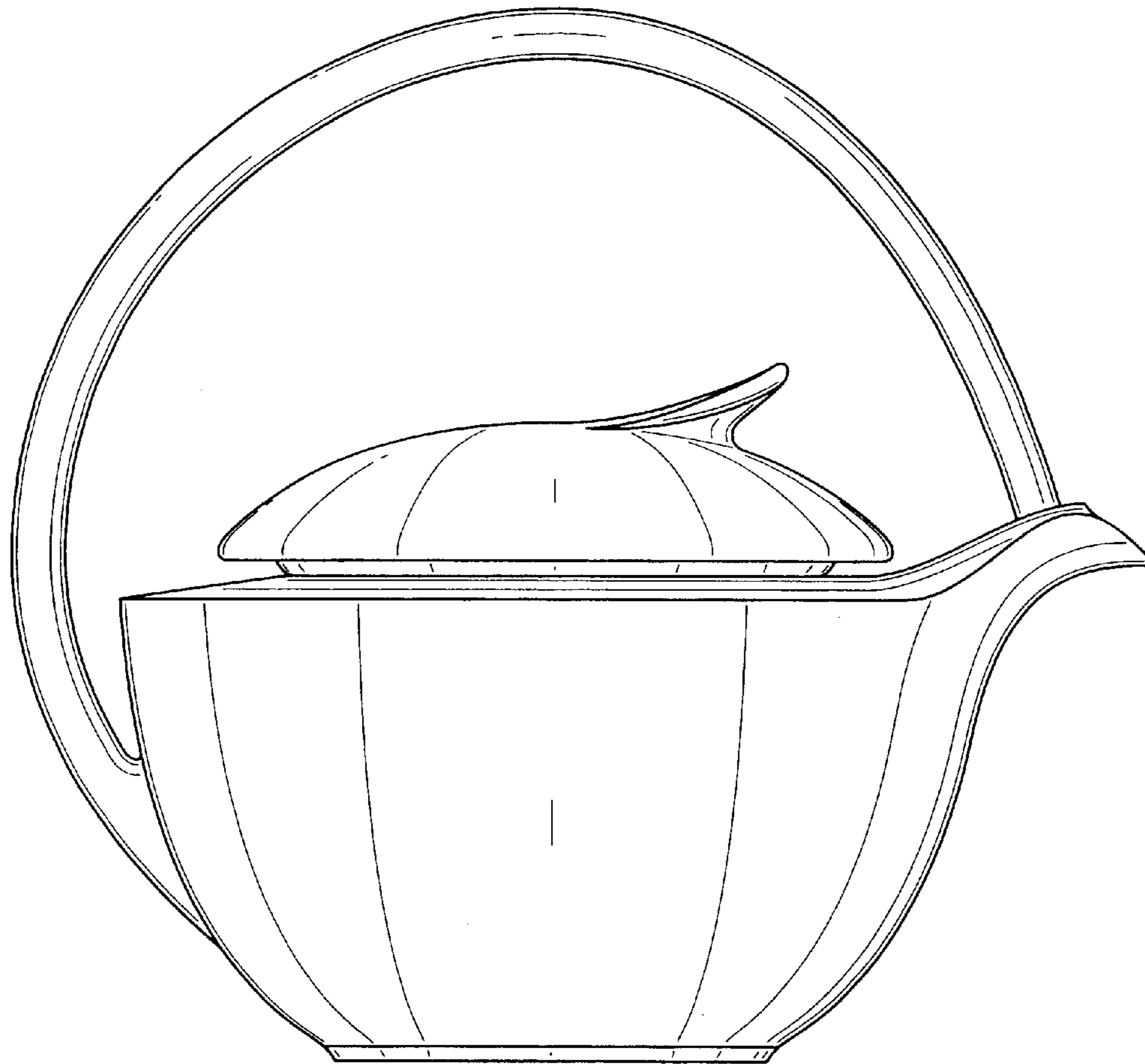


FIG. 5

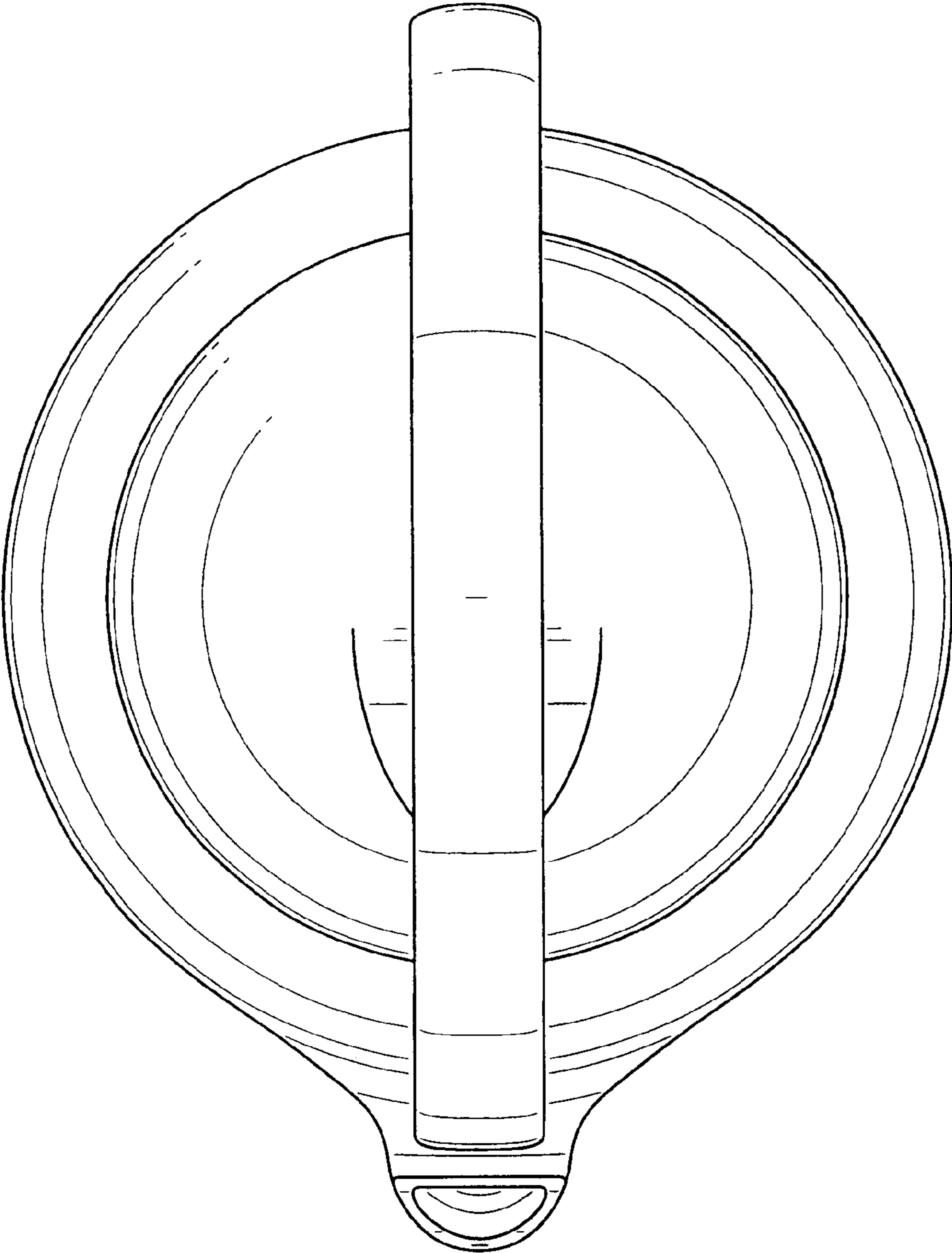


FIG. 6

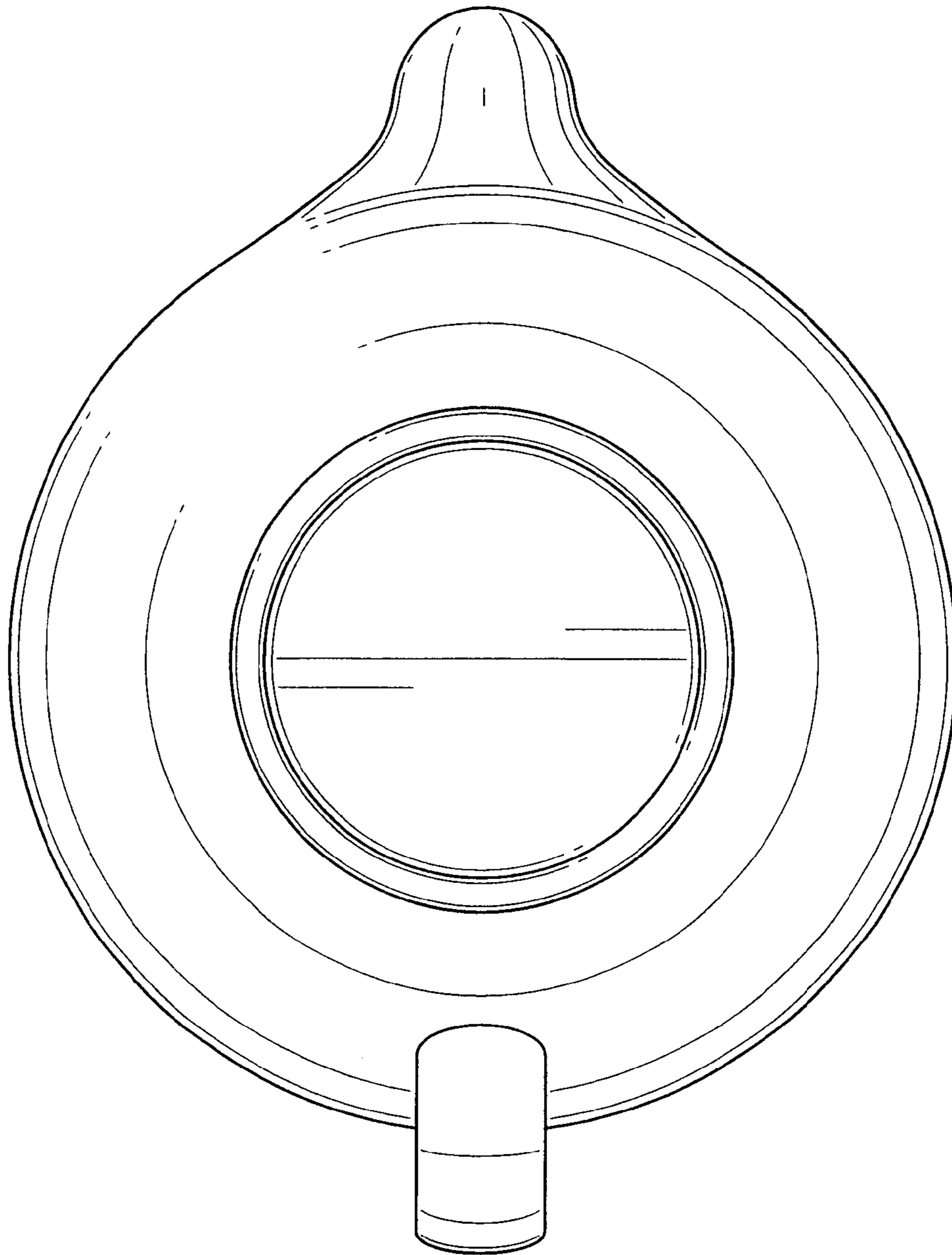


FIG. 7