

US00D524587S

(12) **United States Design Patent**  
**Patel et al.**

(10) **Patent No.:** **US D524,587 S**  
(45) **Date of Patent:** **\*\* Jul. 11, 2006**

(54) **INVERTED BOTTLE DISPENSER**  
(76) Inventors: **Madhukant C. Patel**, 5325 Yorktown Blvd., Arlington, VA (US) 22207;  
**Bharati Patel**, 5325 Yorktown Blvd., Arlington, VA (US) 22207  
(\*\*) Term: **14 Years**

5,509,583 A \* 4/1996 Dolson ..... 222/185.1  
6,161,726 A \* 12/2000 Parsons et al. .... 222/52  
6,502,725 B1 \* 1/2003 Alexander ..... 222/185.1  
6,527,145 B1 \* 3/2003 Bennett, Jr. .... 222/185.1  
6,540,111 B1 \* 4/2003 Sunnarborg ..... 222/129  
D481,235 S \* 10/2003 Gilbert ..... D6/524  
6,820,772 B1 \* 11/2004 Bennett, Jr. .... 222/185.1  
6,892,903 B1 \* 5/2005 Bartolotta ..... 222/185.1

\* cited by examiner

*Primary Examiner*—M. N. Pandozzi

(21) Appl. No.: **29/240,080**  
(22) Filed: **Oct. 11, 2005**

**Related U.S. Application Data**

(63) Continuation of application No. 11/149,661, filed on Jun. 10, 2005.

(51) **LOC (8) Cl.** ..... **07-01**  
(52) **U.S. Cl.** ..... **D7/306; D7/300; D7/313**  
(58) **Field of Classification Search** ..... D7/300,  
D7/306, 312, 313, 322; D6/542; 222/83.5,  
222/185.1, 325, 181.1, 129  
See application file for complete search history.

(57) **CLAIM**

The ornamental design for the inverted bottle dispenser, as shown and described.

**DESCRIPTION**

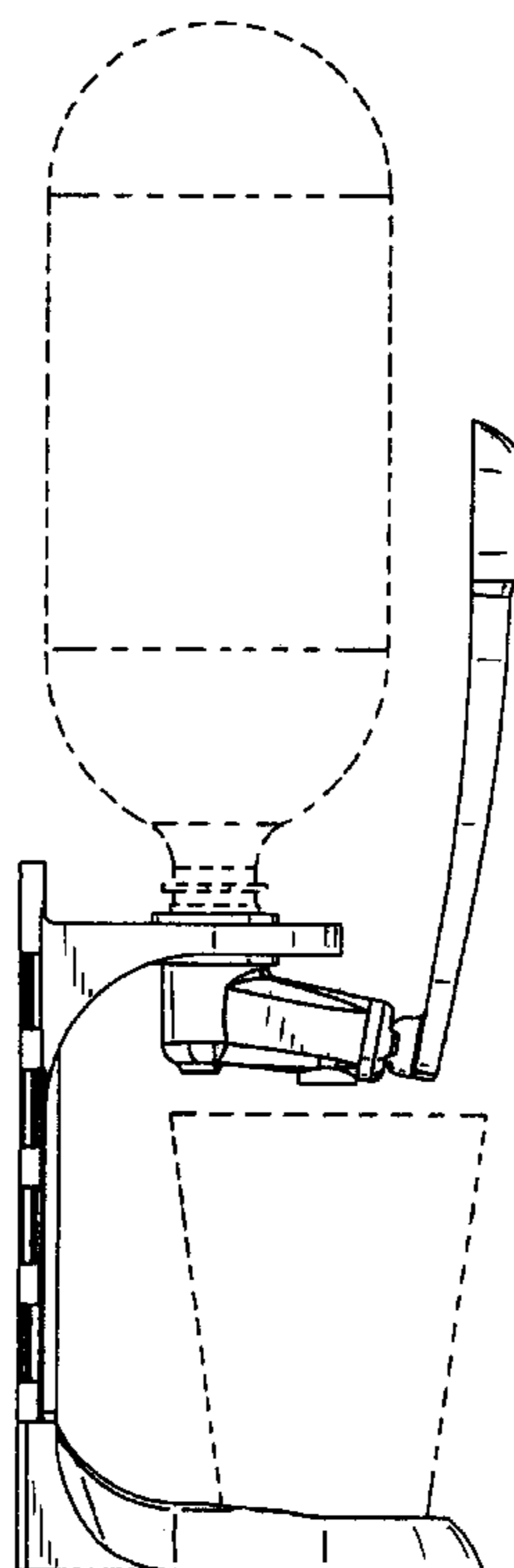
FIG. 1 is a front elevational view of the inverted bottle dispenser showing our new design;  
FIG. 2 is a rear elevational view thereof;  
FIG. 3 is a left side elevational view thereof;  
FIG. 4 is a right side elevational view thereof;  
FIG. 5 is a top plan view thereof;  
FIG. 6 is a bottom plan view thereof.  
FIG. 7 is an in use left side elevational view thereof;  
FIG. 8 is an in use front elevational view thereof; and,  
FIG. 9 is an exploded left side elevational view thereof.  
The broken lines in FIGS. 7 and 8 are for illustrative purposes only and form no part of the claimed design.

(56) **References Cited**

**U.S. PATENT DOCUMENTS**

2,341,950 A \* 2/1944 Schepps ..... 141/387  
4,664,297 A \* 5/1987 Giovinazzi ..... 222/185.1  
D321,453 S \* 11/1991 Ophardt ..... D7/300  
5,330,080 A \* 7/1994 O'Connor ..... 222/181.1  
5,405,058 A \* 4/1995 Kalis et al. .... 222/185.1

**1 Claim, 5 Drawing Sheets**



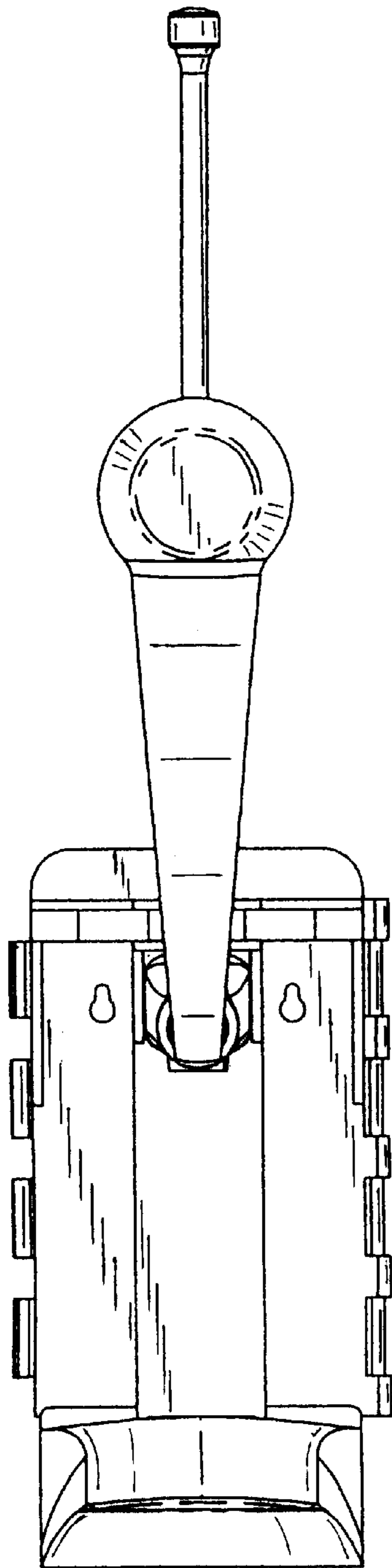


FIG 1

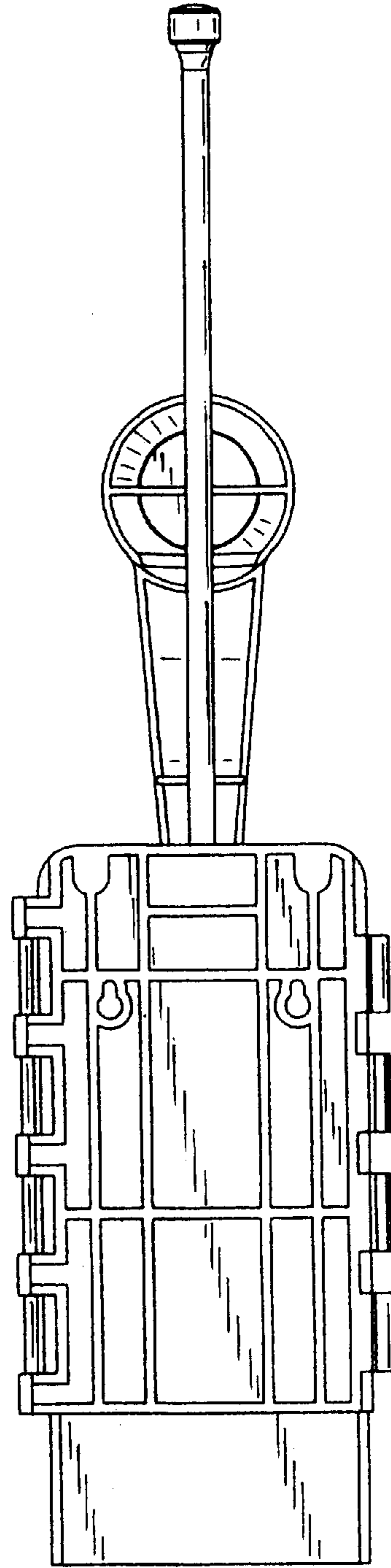


FIG 2

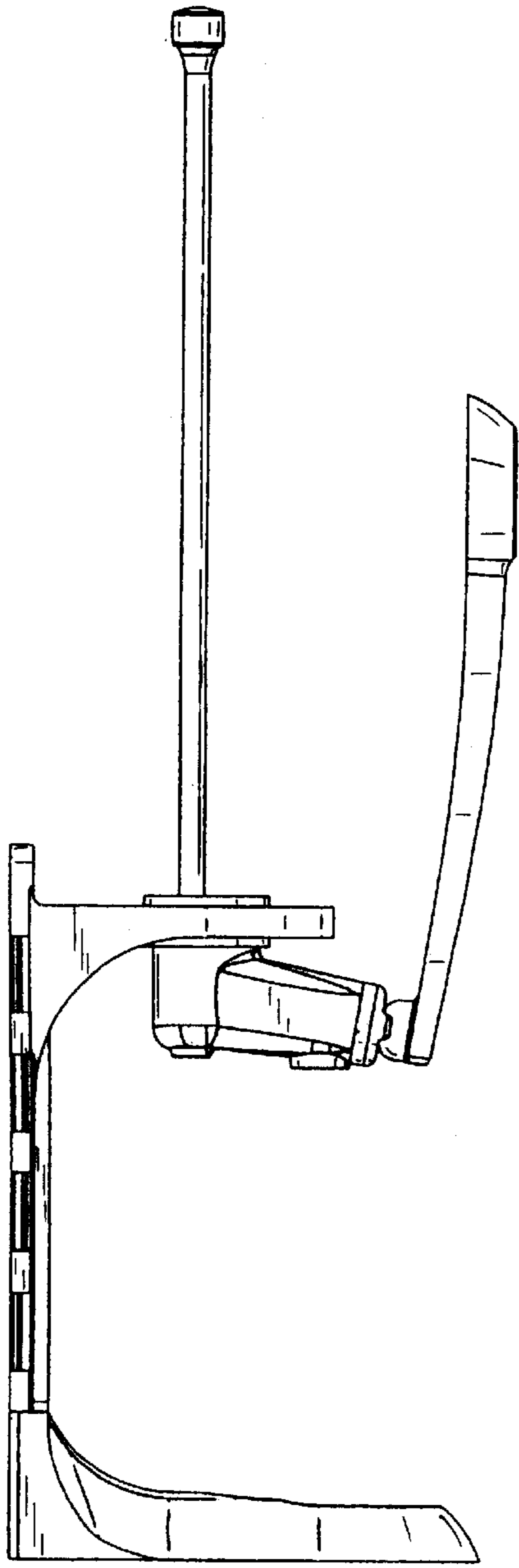


FIG 3

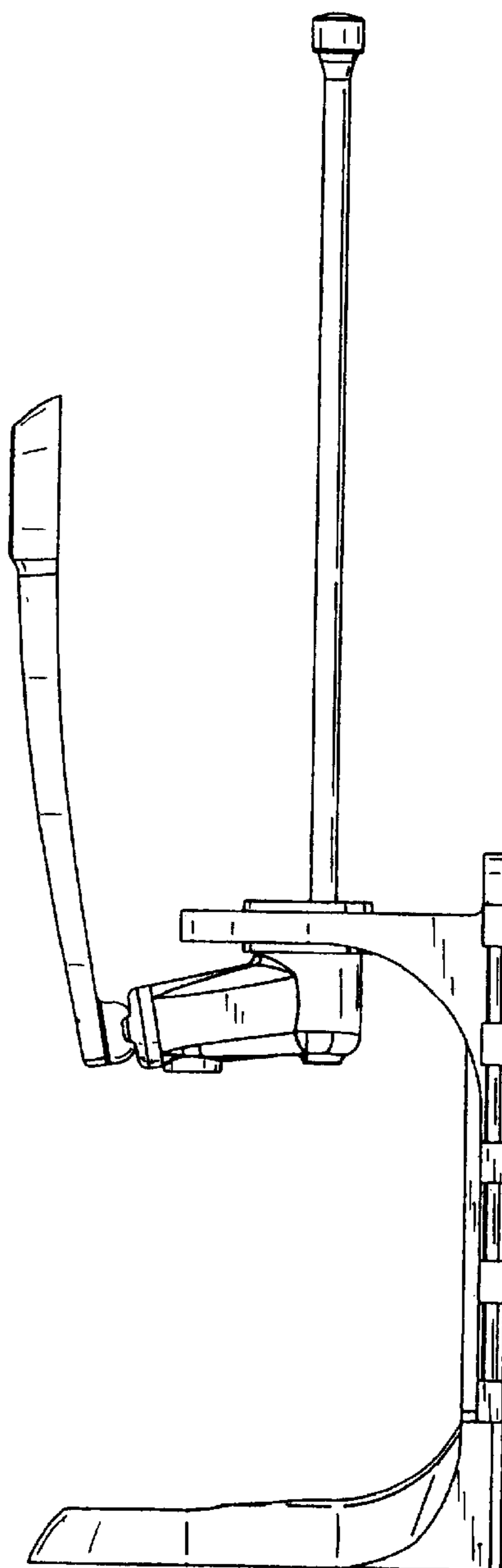


FIG 4

FIG 5

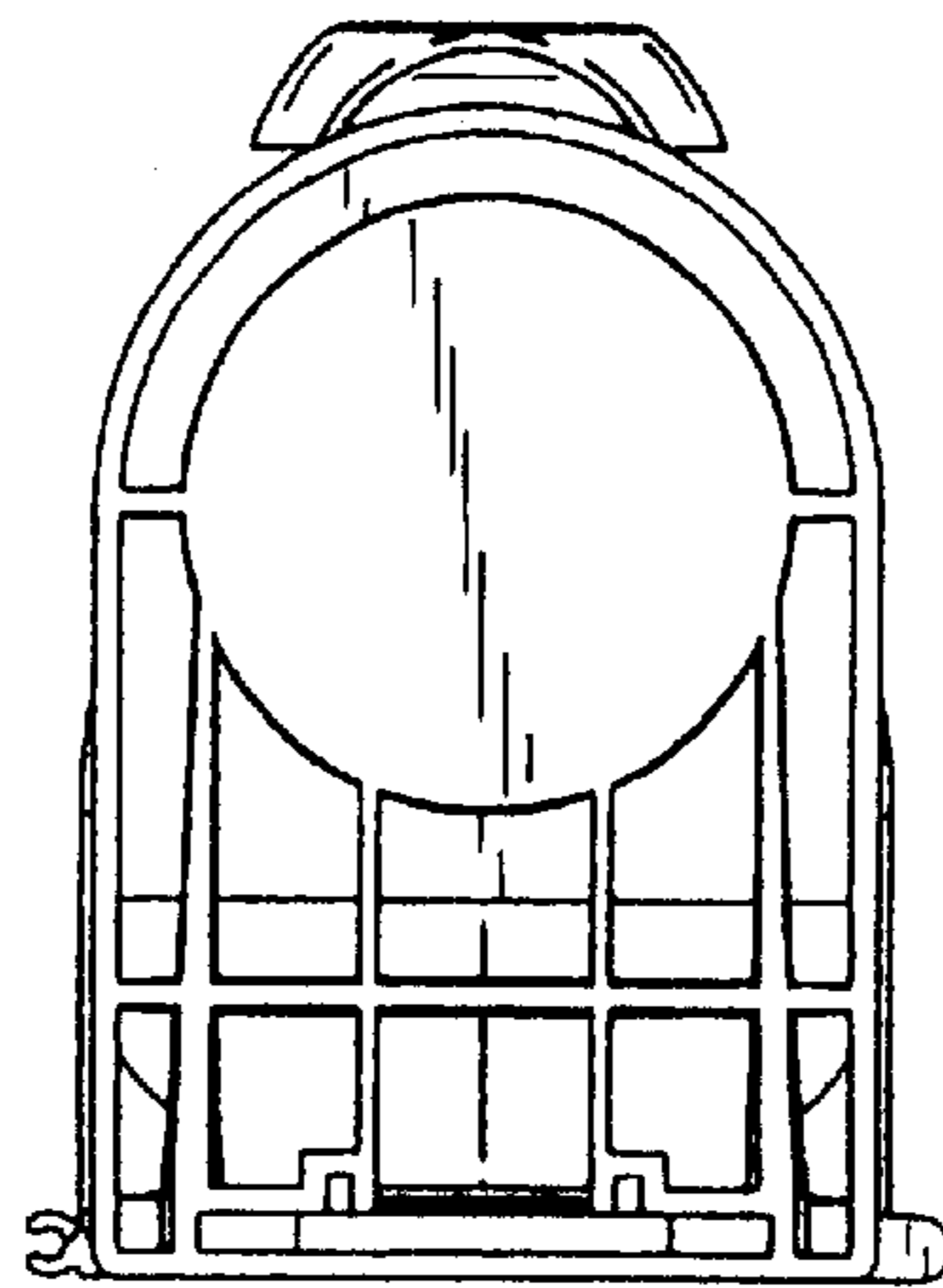
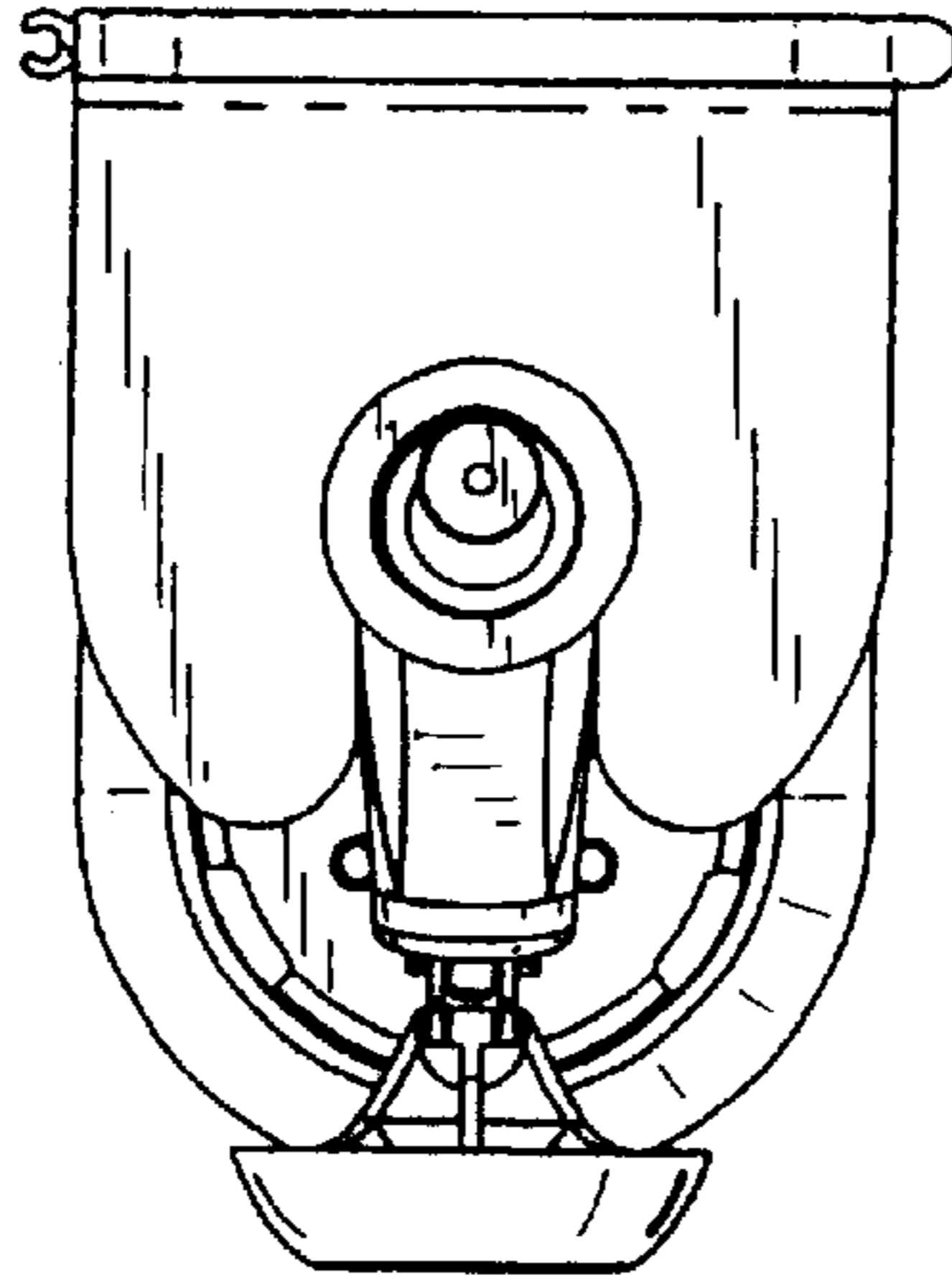


FIG 6

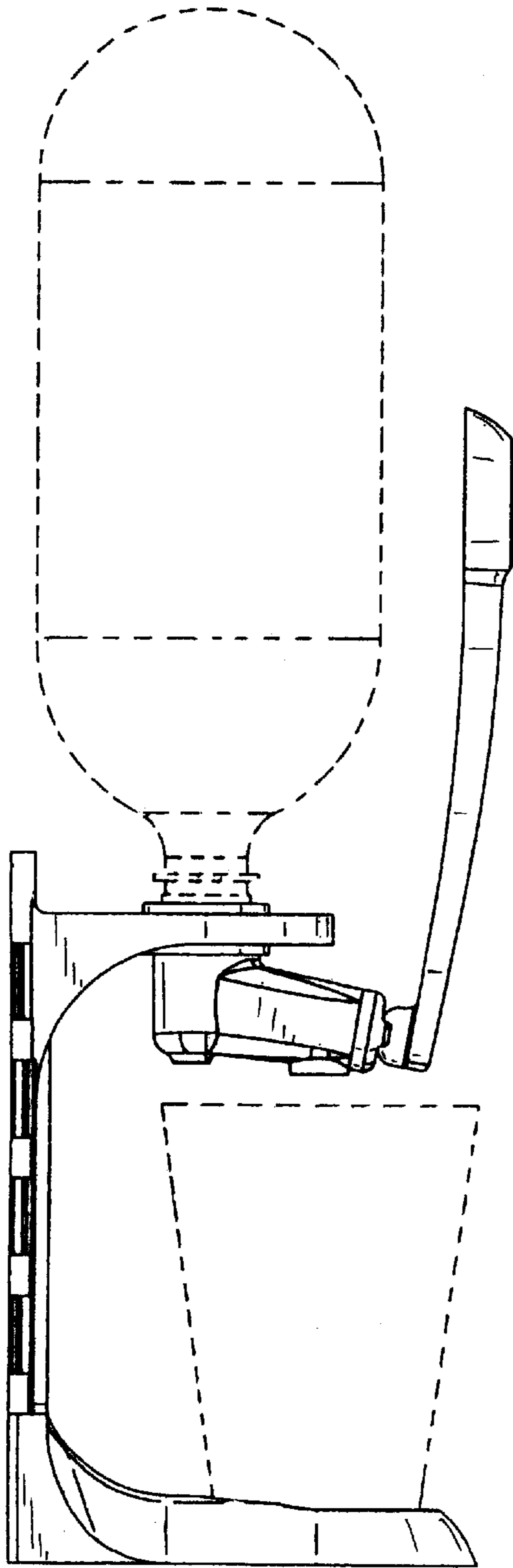


FIG 7

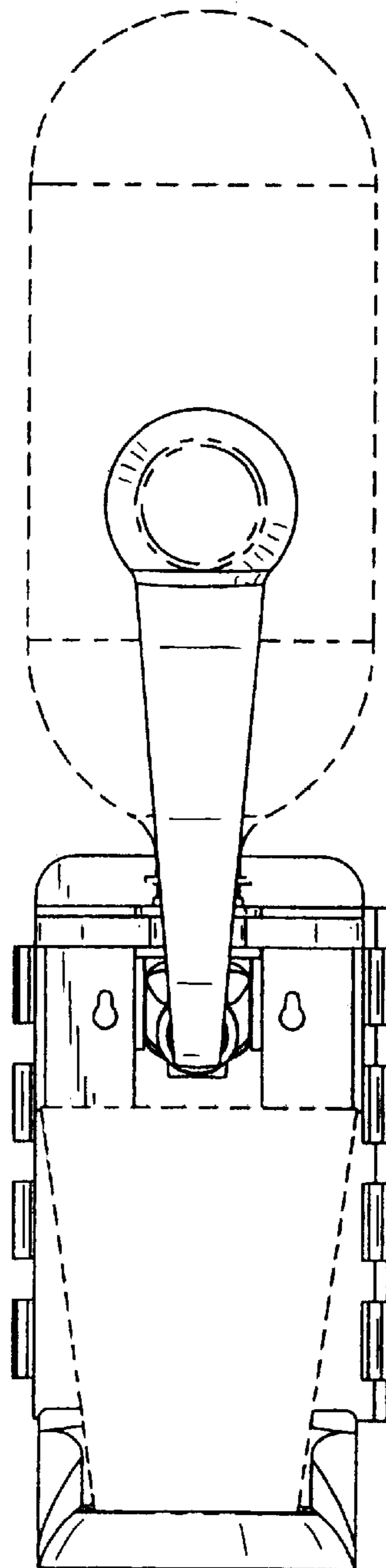


FIG 8

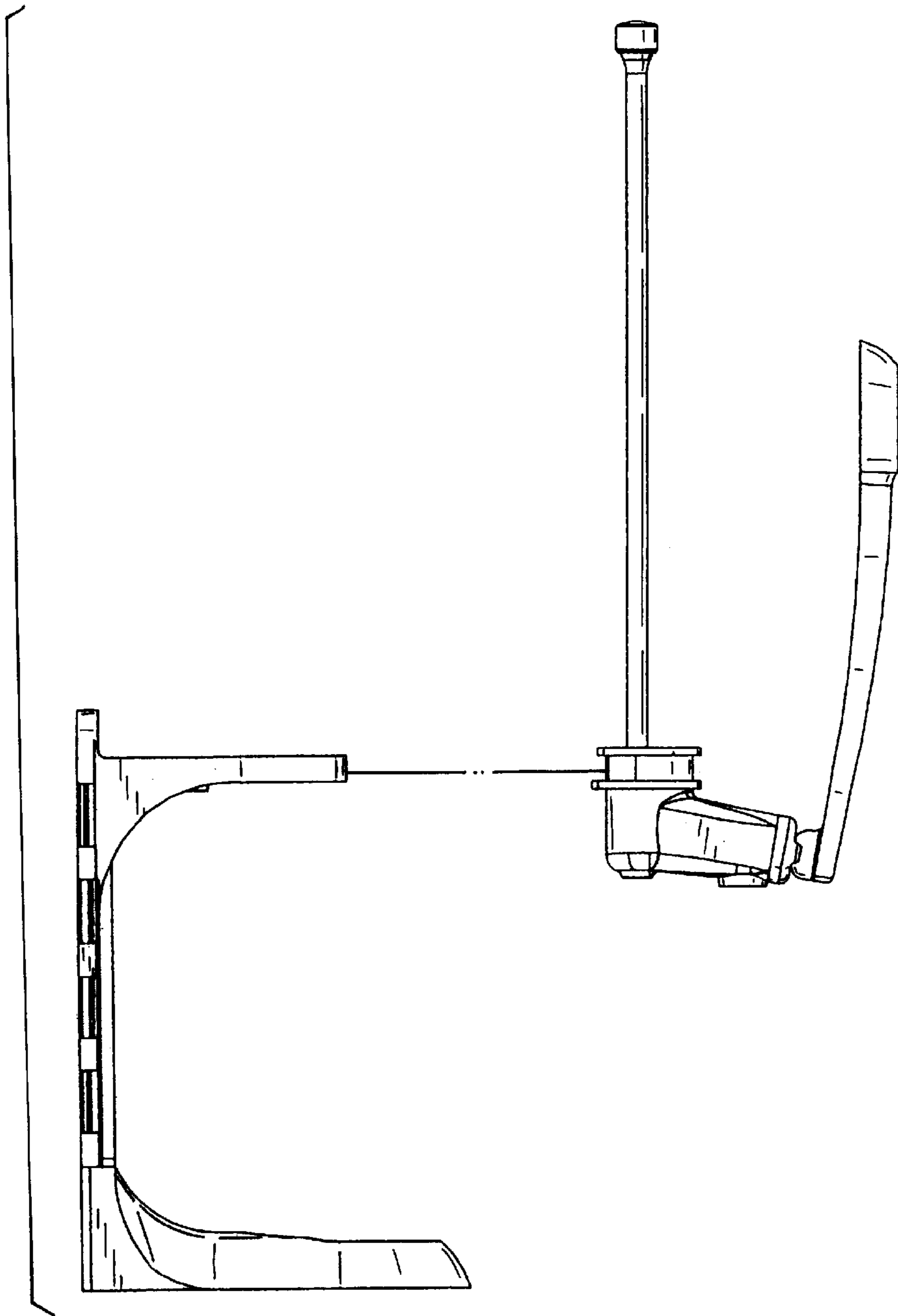


FIG. 9