

US00D524586S

(12) **United States Design Patent**
Ménard

(10) **Patent No.:** **US D524,586 S**

(45) **Date of Patent:** **** Jul. 11, 2006**

(54) **MULTIMEDIA STORAGE SUPPORT**

(75) Inventor: **Louis Ménard**, Trois-Rivières (CA)

(73) Assignee: **Nicolet Plastique LTEE**, Nicolet (CA)

(**) Term: **14 Years**

(21) Appl. No.: **29/228,759**

(22) Filed: **Apr. 27, 2005**

(30) **Foreign Application Priority Data**

Nov. 4, 2004 (CA) 108878

(51) **LOC (8) Cl.** **06-04**

(52) **U.S. Cl.** **D6/629**

(58) **Field of Classification Search** D6/407,
D6/629, 630, 464-466, 468; 211/40; 312/9.1,
312/9.9, 9.47, 9.48, 9.51, 9.52, 9.64
See application file for complete search history.

(56) **References Cited**

U.S. PATENT DOCUMENTS

4,684,027	A	*	8/1987	Wright	211/40
D332,187	S	*	1/1993	Stravitz	D6/407
D404,240	S	*	1/1999	Man	D6/629
D404,603	S	*	1/1999	Smith	D6/629
D404,957	S	*	2/1999	Cheris et al.	D6/629
6,039,190	A	*	3/2000	Clausen	211/40

D427,835	S	*	7/2000	Tisbo	D6/629
D440,809	S	*	4/2001	Hunt	D6/629
D443,790	S	*	6/2001	Bennett	D6/629
D485,725	S	*	1/2004	Real	D6/629
D489,556	S	*	5/2004	Mason	D6/511
6,877,618	B1	*	4/2005	Mason	211/59.2

* cited by examiner

Primary Examiner—Cathron C. Brooks

(74) *Attorney, Agent, or Firm*—ROBIC

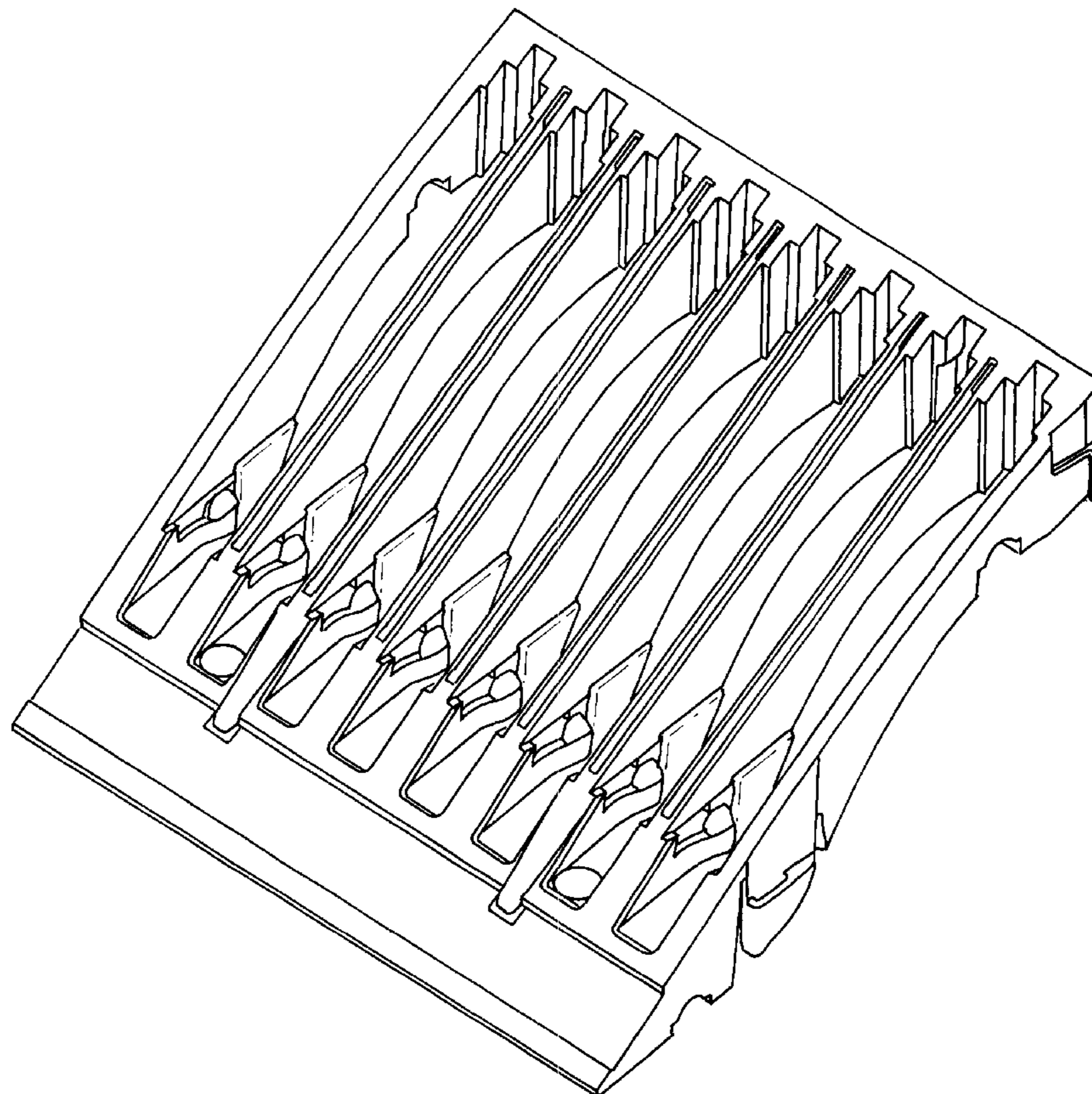
(57) **CLAIM**

The ornamental design for a multimedia storage support, as shown and described.

DESCRIPTION

FIG. 1 is a front perspective view of a multimedia storage support showing my new design;
 FIG. 2 is a front elevational view thereof;
 FIG. 3 is a right-hand side elevational view thereof;
 FIG. 4 is a left-hand side elevational view thereof;
 FIG. 5 is a rear elevational view thereof;
 FIG. 6 is a top plan view thereof;
 FIG. 7 is a bottom plan view thereof; and,
 FIG. 8 is a perspective view similar to FIG. 1, illustrating the way the support can be used for storing CDs, DVDs and/or pockets and casings containing such CDs and DVDs.
 The broken lines shown form no part of the claimed design.

1 Claim, 8 Drawing Sheets



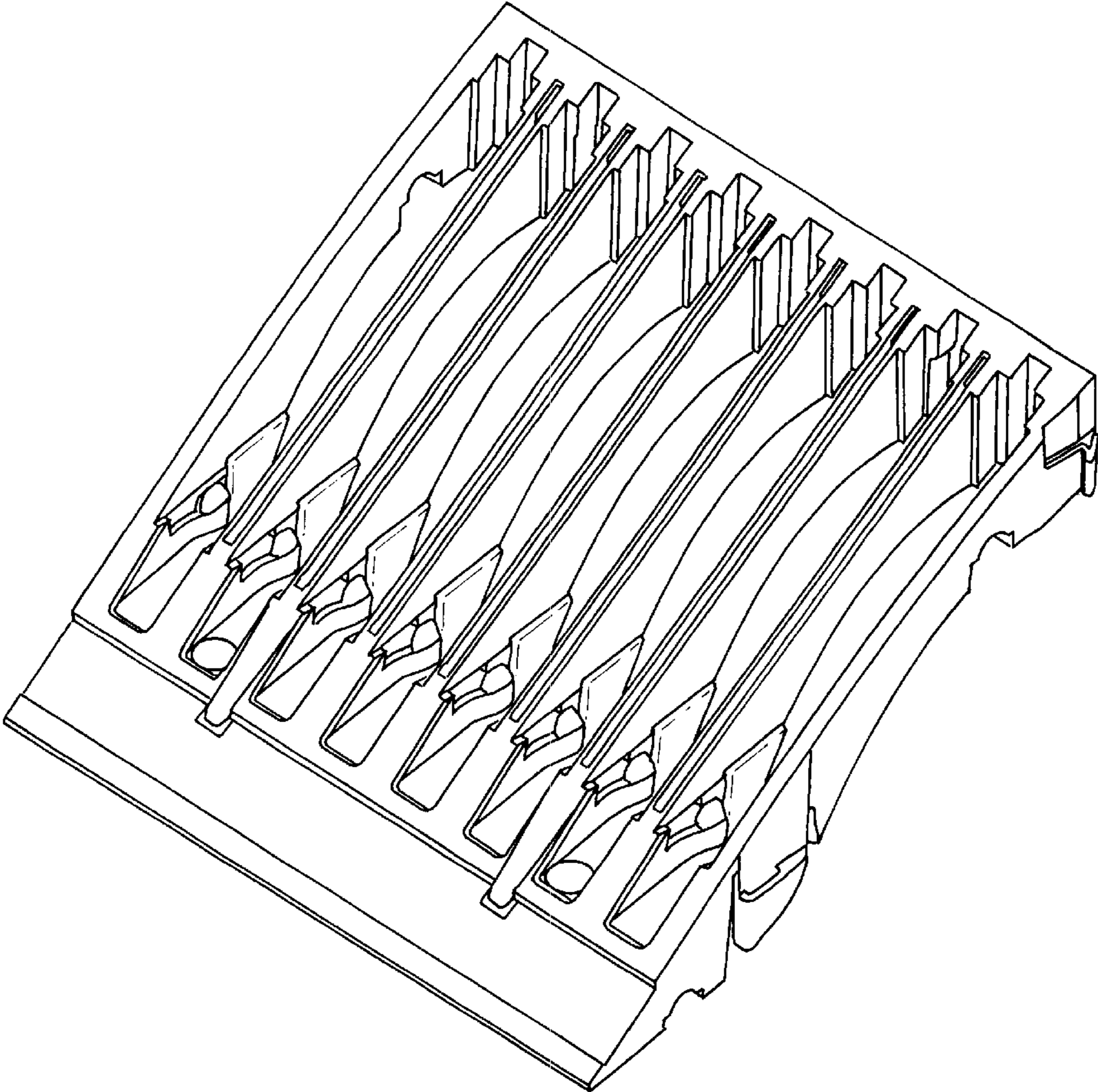


FIG. 1

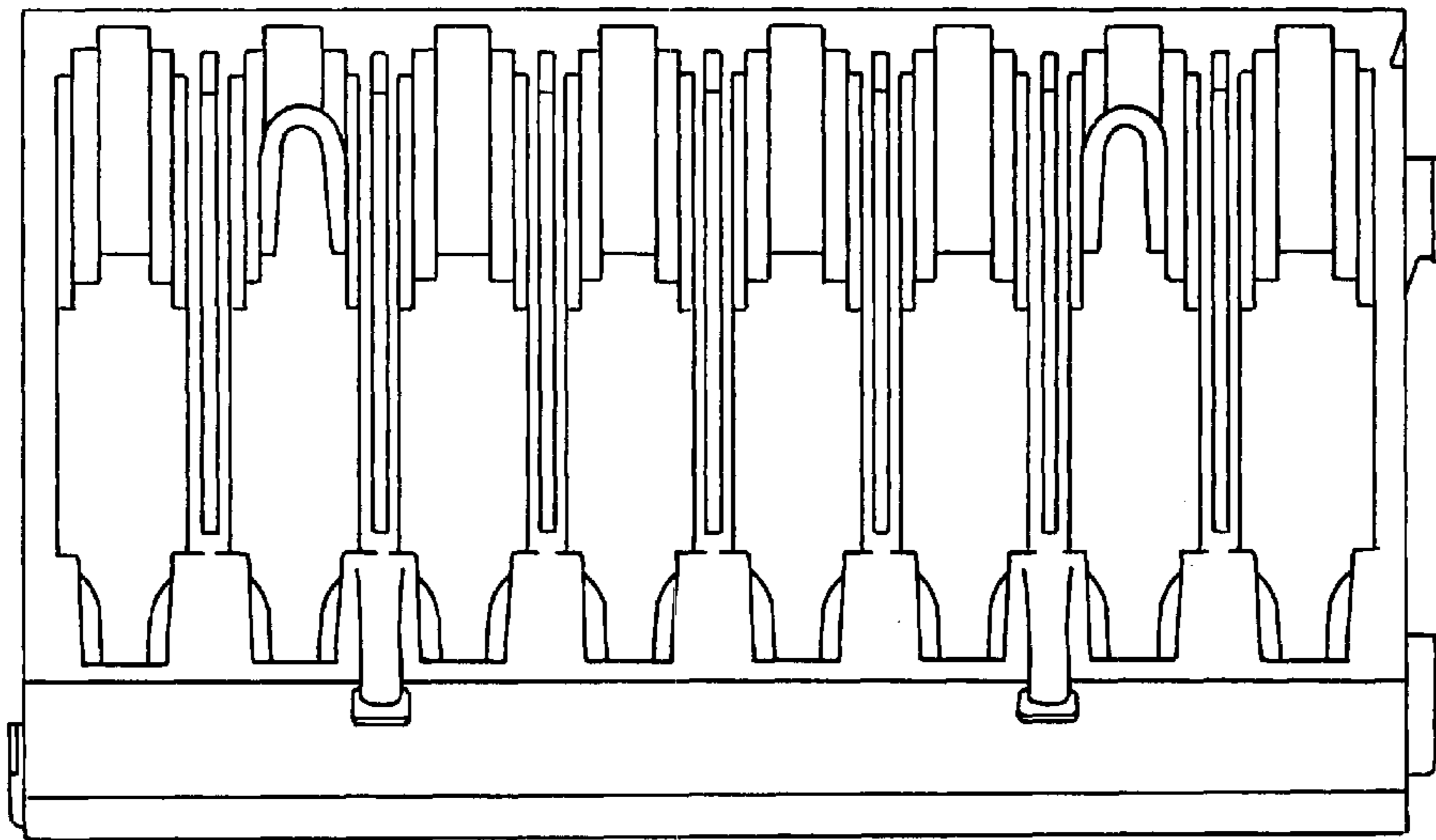


FIG. 2

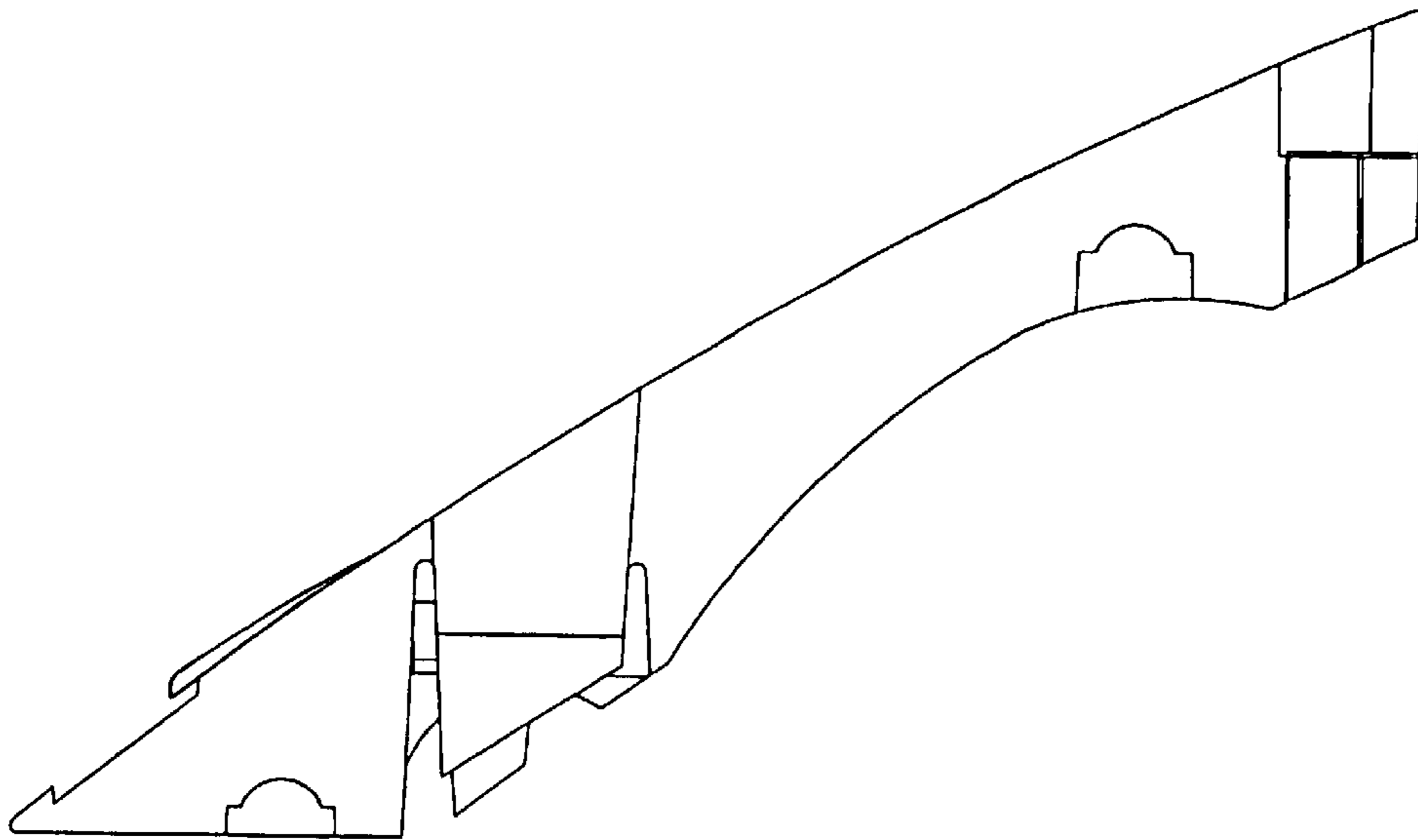


FIG. 3

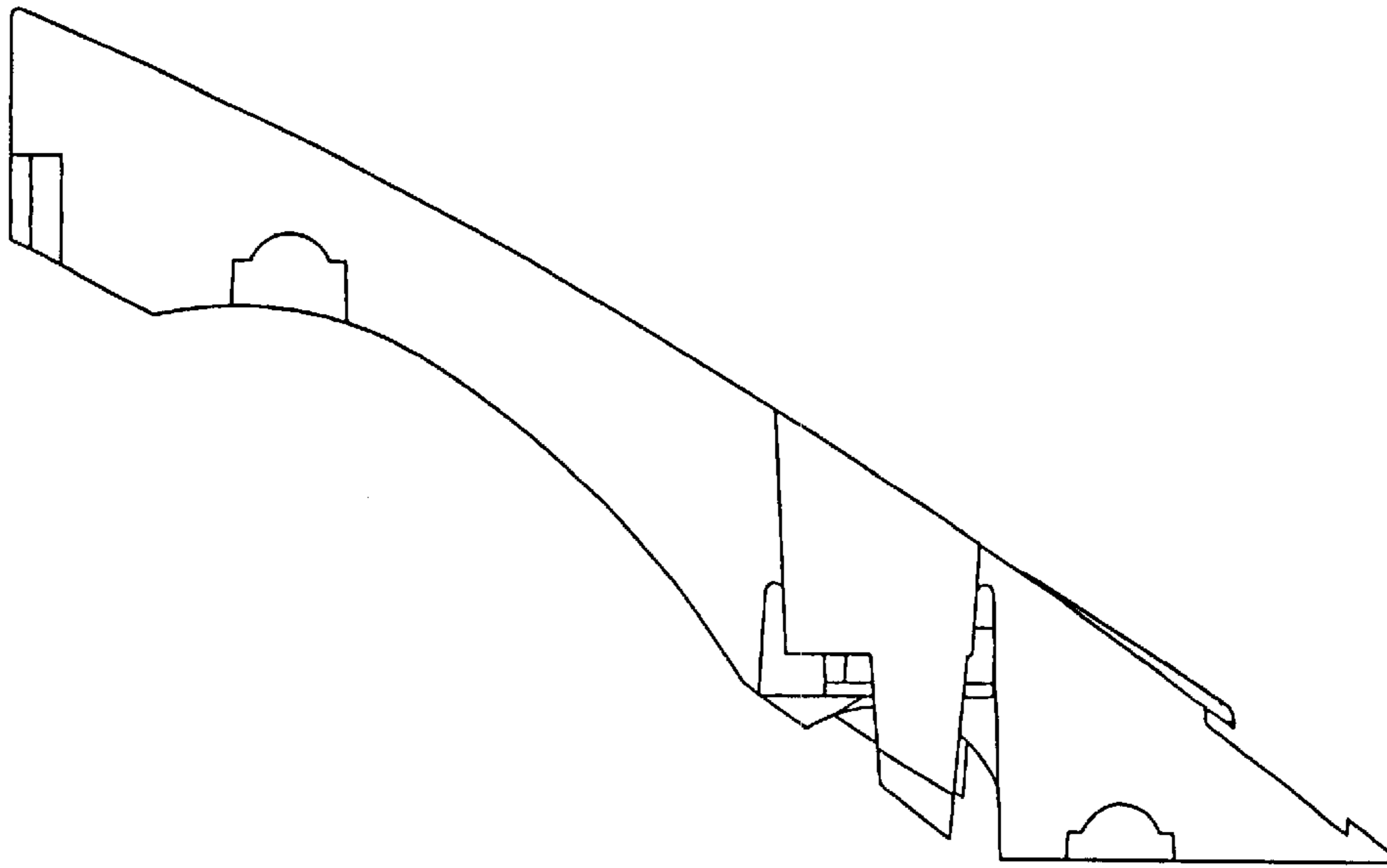


FIG. 4

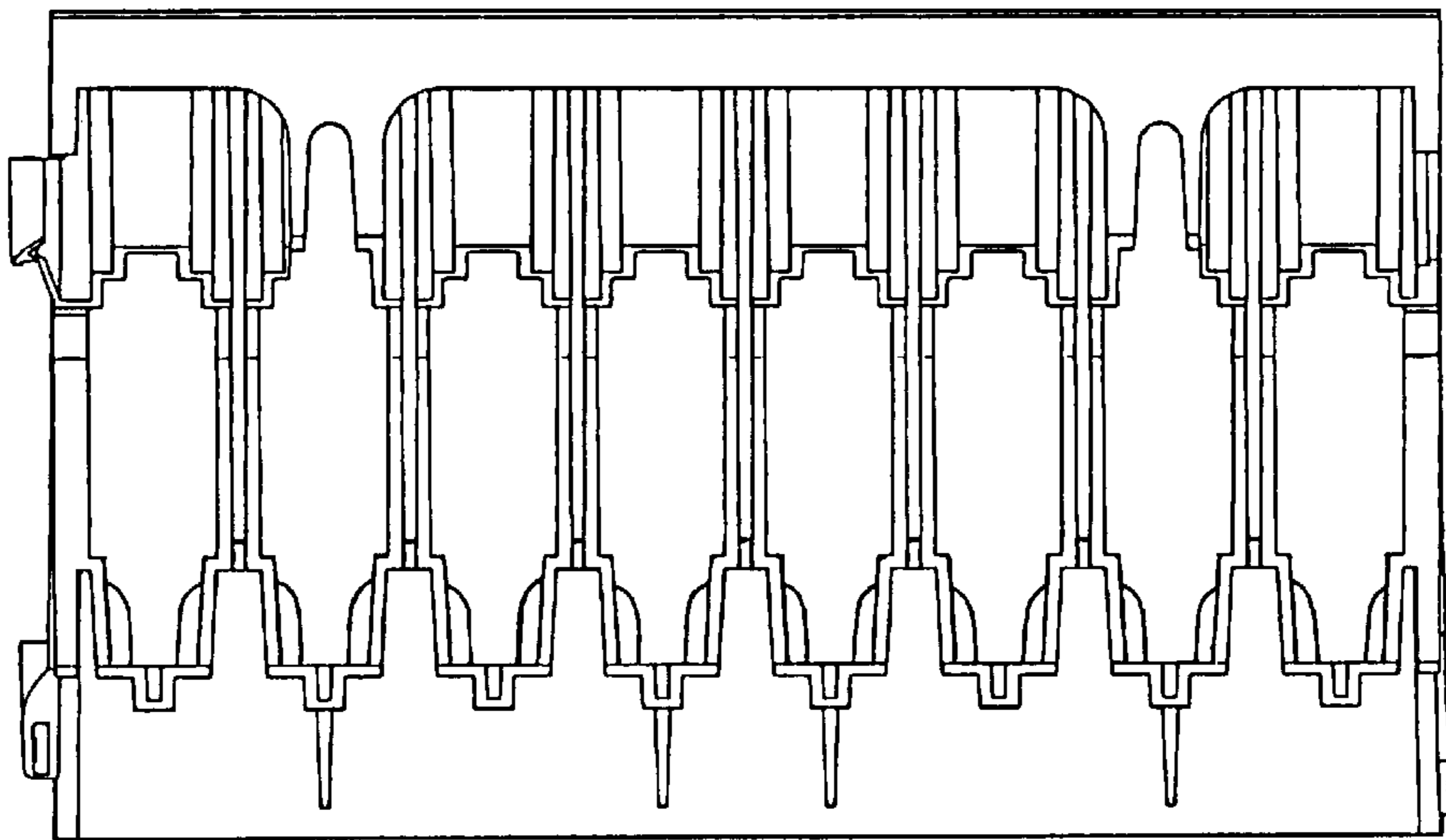


FIG. 5

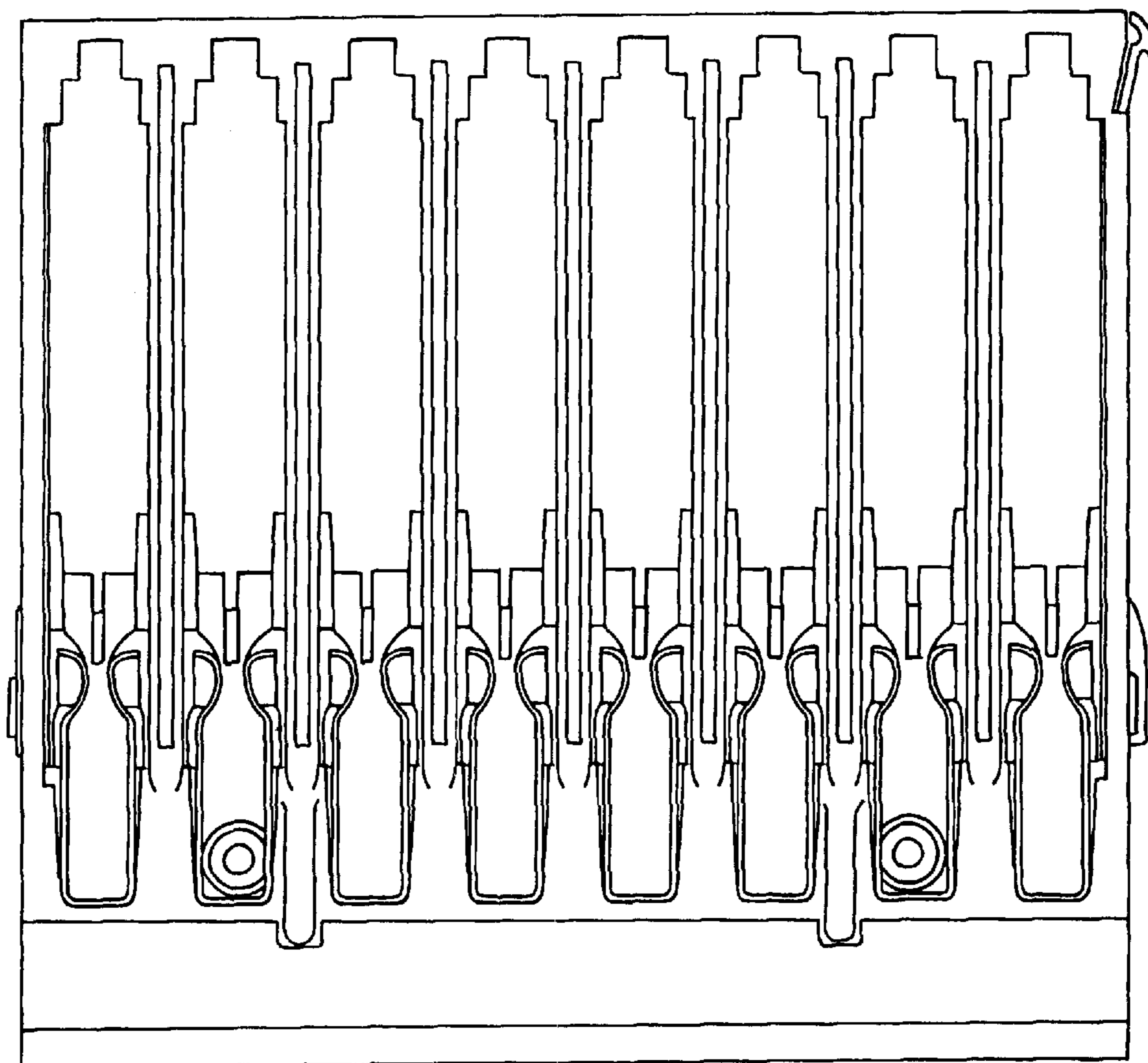


FIG. 6

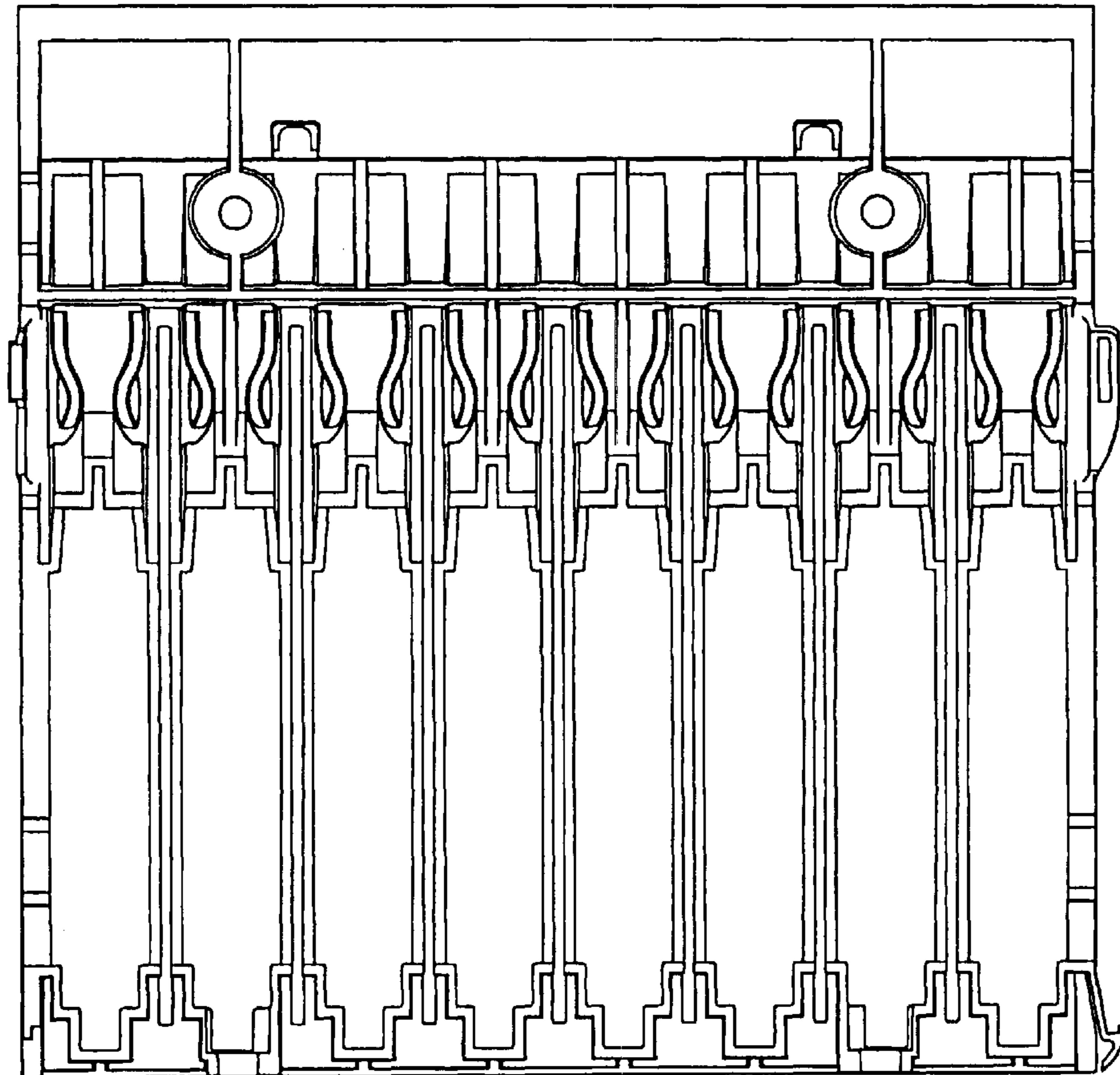


FIG. 7

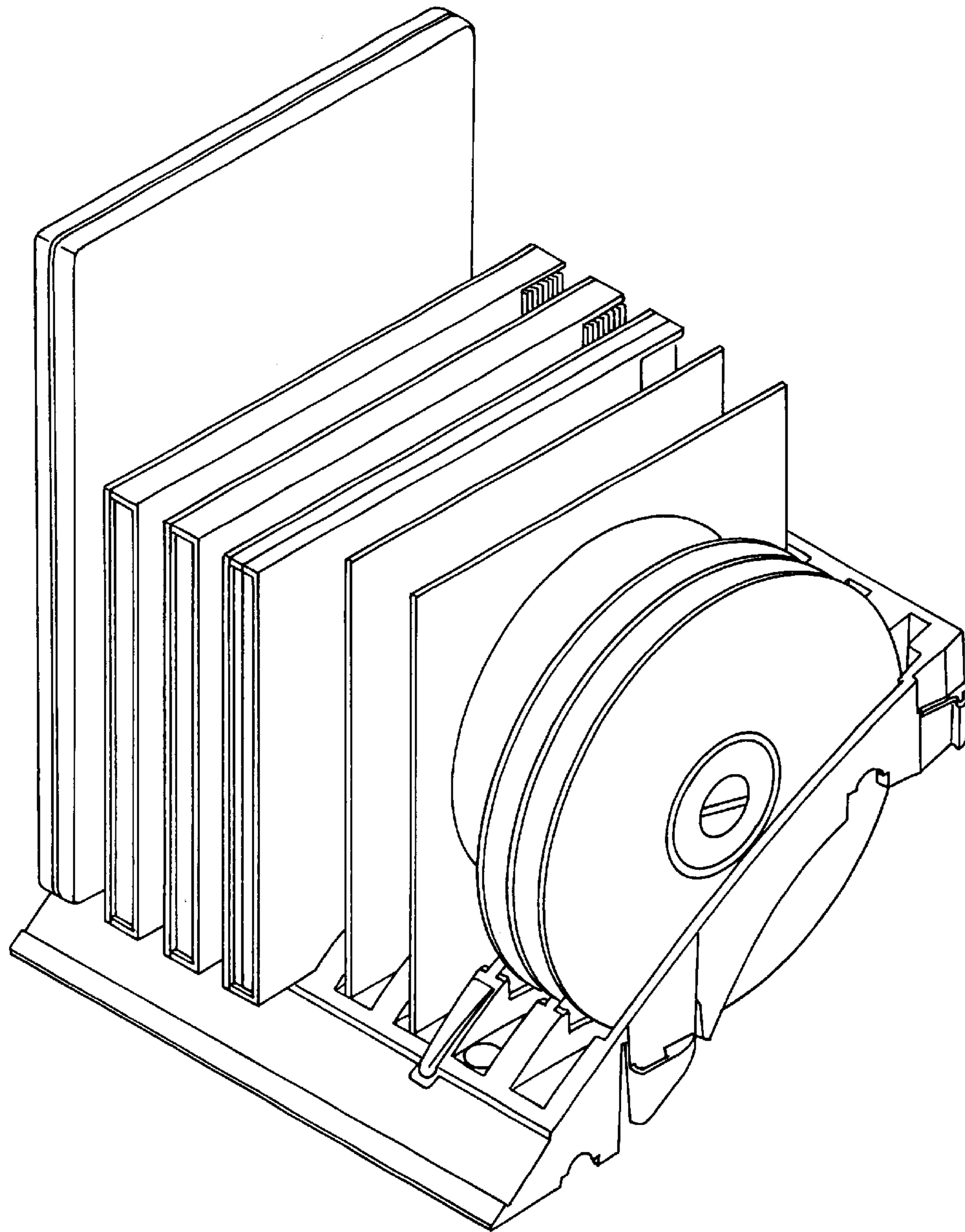


FIG. 8