

US00D524583S

(12) **United States Design Patent**
Dettmann et al.

(10) **Patent No.:** **US D524,583 S**
(45) **Date of Patent:** **** Jul. 11, 2006**

(54) **CHAIR, SEAT AND BACK**

(75) Inventors: **Thomas Dettmann**, New Prague, MN (US); **Paul James**, Minneapolis, MN (US); **Diwa Ratnam**, Woodbury, MN (US); **Jodi Tuthill**, Waterville, MN (US); **Mark Reeves**, Mahtomedi, MN (US); **Terry Strand**, Owatonna, MN (US)

(73) Assignee: **Wenger Corporation**, Owatonna, MN (US)

(**) Term: **14 Years**

(21) Appl. No.: **29/235,831**

(22) Filed: **Aug. 5, 2005**

(51) **LOC (8) Cl.** **06-01**

(52) **U.S. Cl.** **D6/500; D6/380**

(58) **Field of Classification Search** D6/334–336, D6/370–373, 374–376, 379, 380, 500–502; 297/239, 296, 297, 445.1, 446.1, 448.1, 452.18, 297/452.2, 452.24

See application file for complete search history.

(56) **References Cited**

U.S. PATENT DOCUMENTS

D29,994 S	*	1/1899	Dennett	D6/502
D101,404 S		9/1936	Salomon		
2,098,888 A		11/1937	Schädler		
D108,750 S	*	3/1938	Michelson	D6/380
2,146,932 A		2/1939	Boman		
D146,347 S		2/1947	Clairmonte et al.		
2,634,371 A		4/1953	Masters		
2,745,468 A		5/1956	Kramer		
D181,241 S	*	10/1957	Swanson	D6/374
2,874,755 A		2/1959	Smith		
3,389,936 A	*	6/1968	Drabert	D6/502
3,594,041 A		7/1971	Rye		
3,671,074 A		6/1972	Bergstrom		
D236,862 S		9/1975	Grosfillex		
4,148,523 A		4/1979	Brand et al.		
D252,904 S	*	9/1979	Springfield	D6/502
4,240,663 A		12/1980	Locher		

4,522,444 A		6/1985	Pollock		
4,595,234 A		6/1986	Kjersem		
D290,070 S		6/1987	Lange		
4,671,570 A		6/1987	Hockenberry		
D290,789 S		7/1987	Lange		
4,690,459 A		9/1987	Ullman		
D294,319 S	*	2/1988	Troup et al.	D6/502
4,784,435 A		11/1988	Leib		
4,786,105 A		11/1988	Sheehan et al.		
4,787,672 A		11/1988	Werner		
D323,943 S		2/1992	Piretti		
5,154,474 A		10/1992	Desanta		

(Continued)

OTHER PUBLICATIONS

Comfor Tek Seating, Elan Searies “Model ES122 Elan Stacker w/Tablet Arm”, undated.
Growth Chart for Chinese Children, www.fwcc.org/growth-chart.html, undated.

(Continued)

Primary Examiner—Mimosa De

(74) *Attorney, Agent, or Firm*—Patterson, Thuente, Skaar & Christensen, P.A.

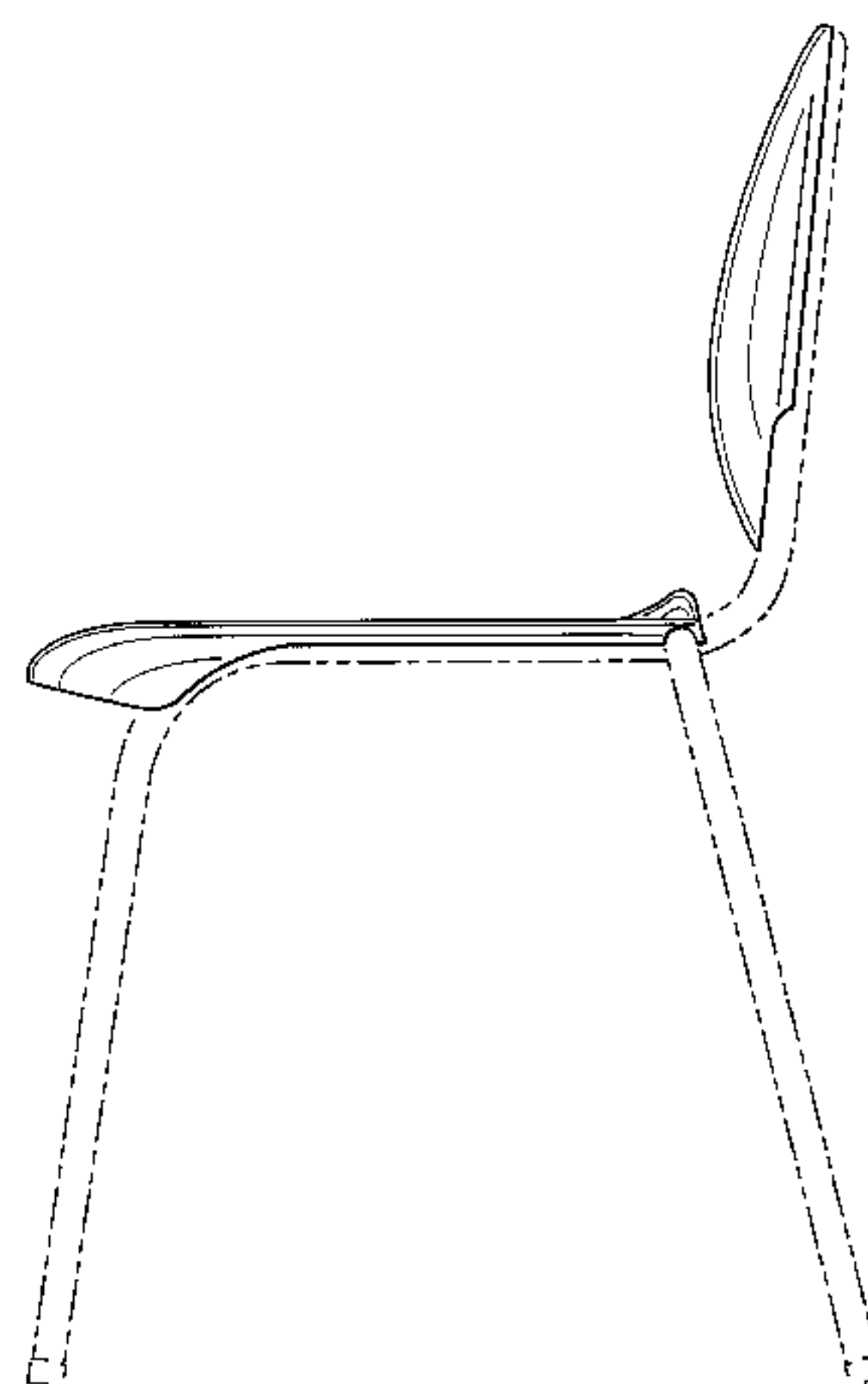
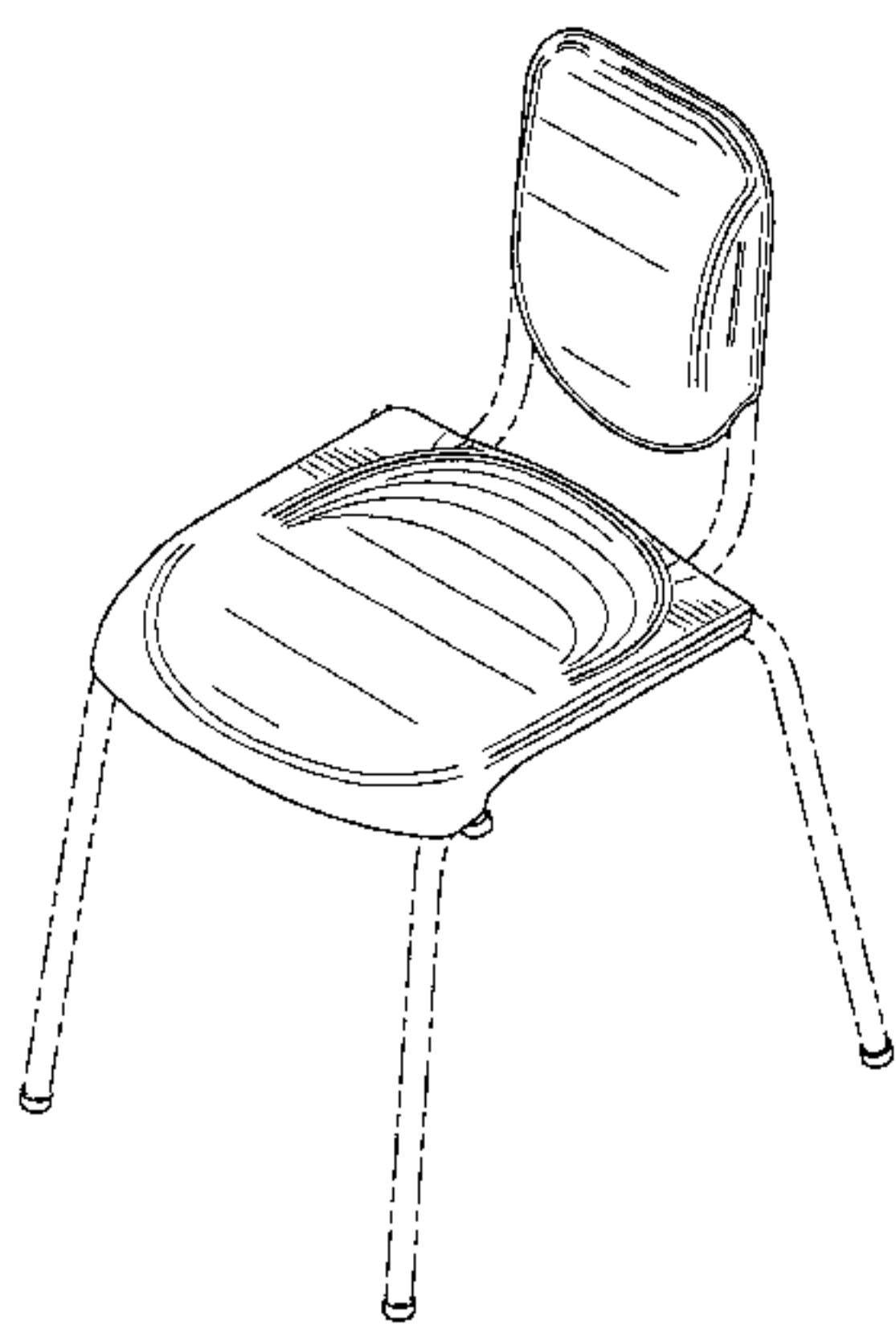
(57) **CLAIM**

We claim the ornamental design for a chair, seat and back, as shown and described.

DESCRIPTION

FIG. 1 is a front perspective view of a chair, seat and back of the invention;
FIG. 2 is a slightly enlarged front elevation view of a chair, seat and back;
FIG. 3 is a slightly enlarged rear elevation view of a chair, seat and back;
FIG. 4 is a slightly enlarged side elevation view of a chair, seat and back;
FIG. 5 is a slightly enlarged top plan view of a chair, seat and back; and,
FIG. 6 is a slightly enlarged bottom plan view of a chair, seat and back.

1 Claim, 6 Drawing Sheets



U.S. PATENT DOCUMENTS

5,167,436	A	12/1992	Wu	
D336,795	S	* 6/1993	Rowe et al.	D6/380
D340,812	S	11/1993	Estomin et al.	
D352,185	S	11/1994	Pagnon et al.	
D352,616	S	11/1994	Meyer	
D353,270	S	* 12/1994	Locher	D6/372
5,383,712	A	1/1995	Perry	
5,511,855	A	4/1996	Miles	
5,599,068	A	2/1997	Kelly et al.	
5,868,469	A	2/1999	Ming	
D408,660	S	4/1999	Donnelly	
D411,382	S	* 6/1999	Graham	D6/380
5,997,094	A	12/1999	Cvek	
6,017,089	A	1/2000	Mengshoel	
D423,805	S	5/2000	Olson	
6,056,361	A	5/2000	Cvek	
D426,970	S	* 6/2000	Kolberg	D6/374
D431,385	S	* 10/2000	Barile et al.	D6/380
6,125,851	A	10/2000	Walker et al.	
D433,577	S	11/2000	Donnelly	
D433,578	S	11/2000	Saul	
D447,643	S	* 9/2001	Zemp	D6/380
D469,970	S	* 2/2003	Molteni	D6/374
6,532,962	B1	3/2003	Walker et al.	
D485,085	S	1/2004	Swy et al.	
6,688,688	B1	2/2004	Uhlenbrock	
6,722,735	B1	4/2004	Lucci et al.	
2003/0090139	A1	5/2003	Kown	
2003/0227210	A1	12/2003	Bosman et al.	
2004/0104613	A1	6/2004	Bosman et al.	

OTHER PUBLICATIONS

CDC Growth Chart: United States: Weight-for-age percentiles, Girls 2–20, undated.

CDC Growth Chart: United States: Weight-for-age percentiles, Boys 2–20, undated.

Clinical Growth Charts, National Center for Health Statistics, CDC, undated.

University of Michigan Health System, Ideal Weight Table for Men and Women, undated.

www.synapseadaptive.com/ergo/Thorsac.htm—The Two Part Seat and TherSac Advantage, undated.

BIFMA International, “U.S. Economic Recovery Underway, Modest Office Furniture Industry Growth Expected in 2004”, News Release, Jan. 27, 2004.

Human ErgoSystems, Inc., “Ergonomics Review”, Jun. 5, 2004.

Ergonomics Review of Sitting and Movements, Rani Lueder, CPE, undated.

“Musculoskeletal Modeling As An Ergonomic Design Method”, J. Rasmussen, et al., The AnyBody Group, Institute of Mechanical Engineering, Allborg University, Denmark, undated.

“Mismatch Between Classroom Furniture Dimensions and Student Anthropometric Characteristics in Three New Zealand Secondary School”, S.J. Legg, et al., Faculty of Health Sciences, Universal College of Learning, Palmerston North, New Zealand, undated.

“Balanced sitting posture on forward sloping seat”, A.C. Mandal, M.D., Copenhagen, www.acmandal.com, undated.

“A Technique for Musicians”, Frank Pierce Jones, www.alexandertechnique.com, undated.

“The Life of Chairs: How *Homo Sapiens* became *Homo Sedens*—and at what cost”, excerpt from E. Tenner, “Our Own Devices: Past and Future of Body Technology © 2002”.

“New Concepts in Seating”, J. Tiedeman, CSP, CIE, ARM, Ergonomics Consultant, undated.

“The Alexander Technique for Musicians” C.J. Stein, www.alexandertechnique.com, undated.

“The Alexander Technique in the world of design: posture and the common chair”, G. Cranz; *Journal of Bodywork and Movement Therapies*, Apr. 2000.

“Bottoms Up”, M. Downey, Ergonomics Center, News Story 193, May 22, 2002.

“Furniture prescription for the conservative management of low-back pain”, E. Vollowitz, *Topics in Acute Care and Trauma Rehabilitation*, 1988:2(4):18–37, 188 Aspen Publishers, Inc.

“An Introduction to Body Mapping: Enhancing Musical Performance Through Somatic Pedagogy”, H. Buchanan, *On Voice, Choral Journal*, vol. 45, Issue 7, undated.

“Supporting the Biomechanics of Movement”, The science and research behind the Harmonic Tilt, H. Miller, undated.

“The Art of Pressure Distribution”, Ergonomic criteria for the design of adaptive suspension work chairs, H. Miller, undated.

“Stressing Prevention”, J. Horvath advocates for injured musicians; *Green Room*, Mar.–Apr. 2004.

“Seat Height Revisited”, R. Lueder, Humanics ErgoSystems, Inc. Rethinking sitting height, undated.

“A South Texas physician credits success to music”, Idefonso Flores, *The Beat Goes On, Southwestern Musician*, May 2005, undated.

“Dynamic Task Posture for the Seated Musician”, Jack Hockenberry, Wenger Corp., D. Zacharkow, Mayo Clinic, undated.

“Harpist, Cellists, Short Musicians Unite!”, J. Horvath, Minnesota Orchestra, 1997.

“Common Problems of Wind Instrumentalists”, W. Dawson, Dec. 1977.

“Performance Injury Topic of Interest”, N. Quarrier, PA Medicine Topic of Interest, undated.

“Upper-extremity Problems Caused by Playing Specific Instruments”, W. Dawson, *Medical Problems of Performing Artists*, Sep. 2002.

“Achieving a Healthier Relationship with your Flute”, J. Lunn, *Hands On! Newsletter*, Issue #6, undated.

“Medical Problems in Secondary School-aged Musicians”, A. Lockwood, Dec. 1988.

“A Survey of Musculoskeletal Problems Encountered in High-Level Musicians”, P. Caldon, L. Calabrese, J. Clough, R. Lederman, G. Williams, J. Leatherman, *Medical Problems of Performing Artists*, Dec. 1996.

“Health Conditions, Attitudes Toward Study, and Attitudes Toward Health at the Beginning of University Study: Music Students in Comparison with Other Student Populations”, C. Spahn, S. Strukley, A. Lehmann, *Medical Problems of Performing Artists*, Mar. 2004.

“Musculoskeletal Problems of Adolescent Instrumentalists”, R. Manchester, *Medical Problems of Performing Artists*, Sep. 1997.

“Medical Problems of Brass Instrumentalists: Prevalence Rates for Trumpet, Trombone, French Horn and Low Bass”, K. Chesky, K. Devroop, J. Ford, *Medical Problems of Performing Artists*, Jun. 2002.

“Medical Problems Among ICSOM Musicians: Overview of a National Survey”, M. Fishbein, S. Middlestadt, V. Ottati, S. Straus, A. Ellis, Medical Problems for Performing Artists, Mar. 1988.

“Survey of Performance-related Problems among High School and Junior High School Musicians”, D. Shoup, Medical Problems for Performing Artists, Sep. 1995.

“Fundamental Positions for Instrumental Musicians”, R. Tubiana, P. Chamagne, R. Brockman, Medical Problems for Performing Artists, Jun. 1989.

“Medical Problems of Orchestral Musicians According to Age and Stage of Career”, D. Smith, Medical Problems for Performing Artists, Dec. 1992.

“The Design of a Chair for Orchestral Musicians”, G. Conchubhair, Department of Industrial Design, Dublin, Ireland, undated.

“The Alexander Technique in the world of design: posture and the common chair”, G. Cranz, Journal of Bodywork and Movement Therapies, Apr. 2000.

“Ergonomics of seated movement—a review of the scientific literature”, R. Lueder, Humanics ErgoSystems, Inc., Jun., 2004.

“Preventing Musculoskeletal Injury (MSI) for Musicians and Dancers: A Resource Guide”, Safety and Health in Arts Production and Entertainment, Jun. 2002.

* cited by examiner

Fig. 1

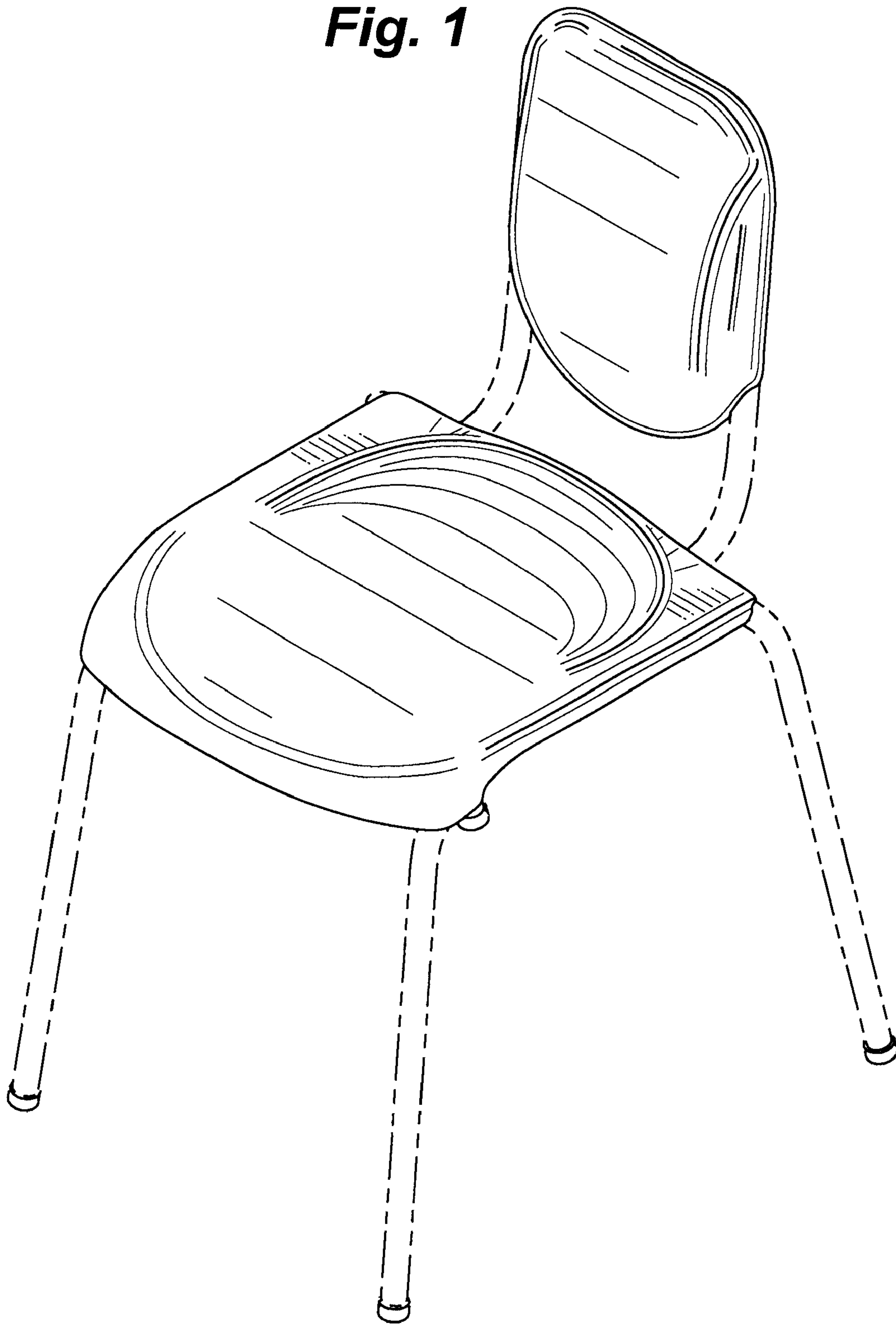


Fig. 2

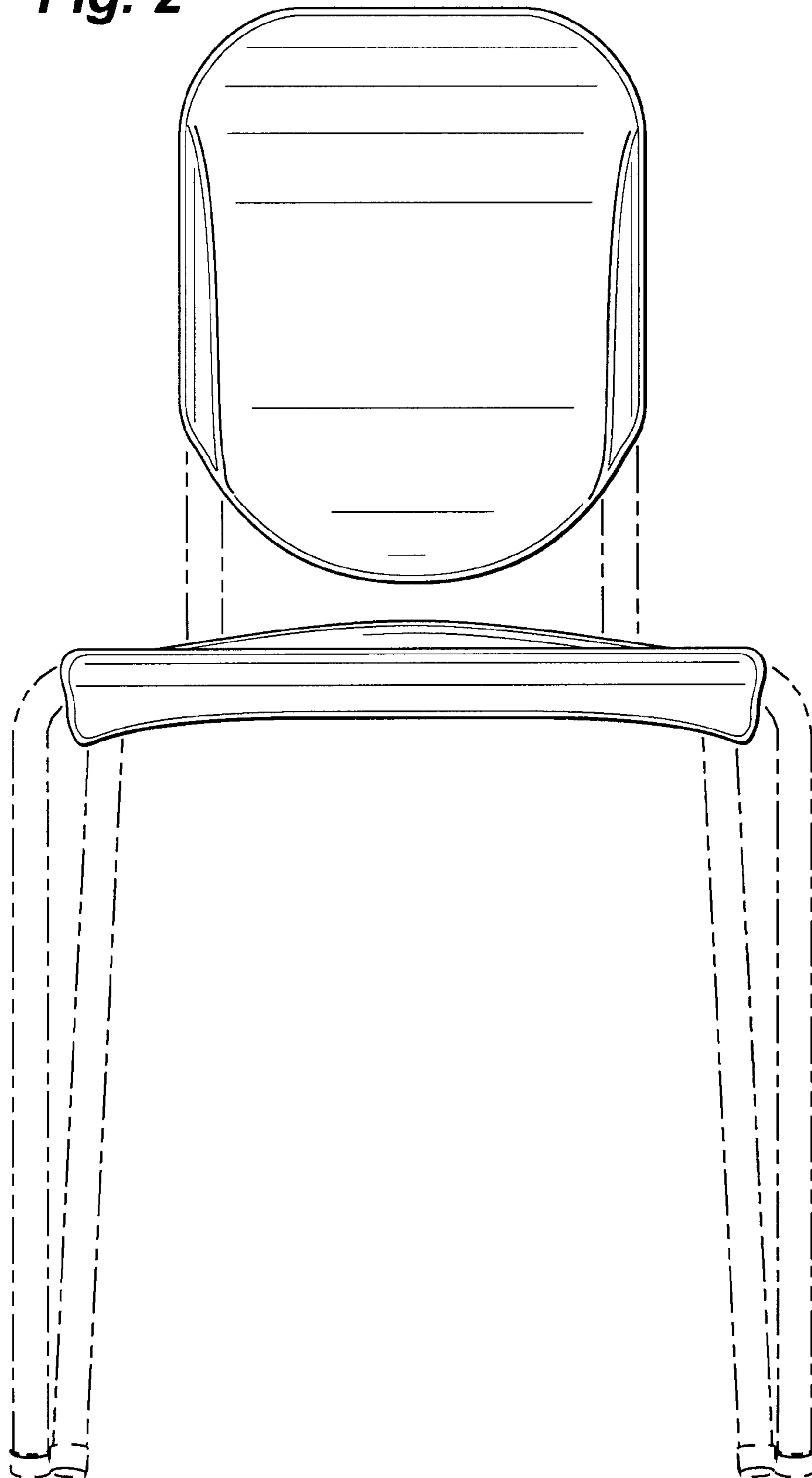


Fig. 3

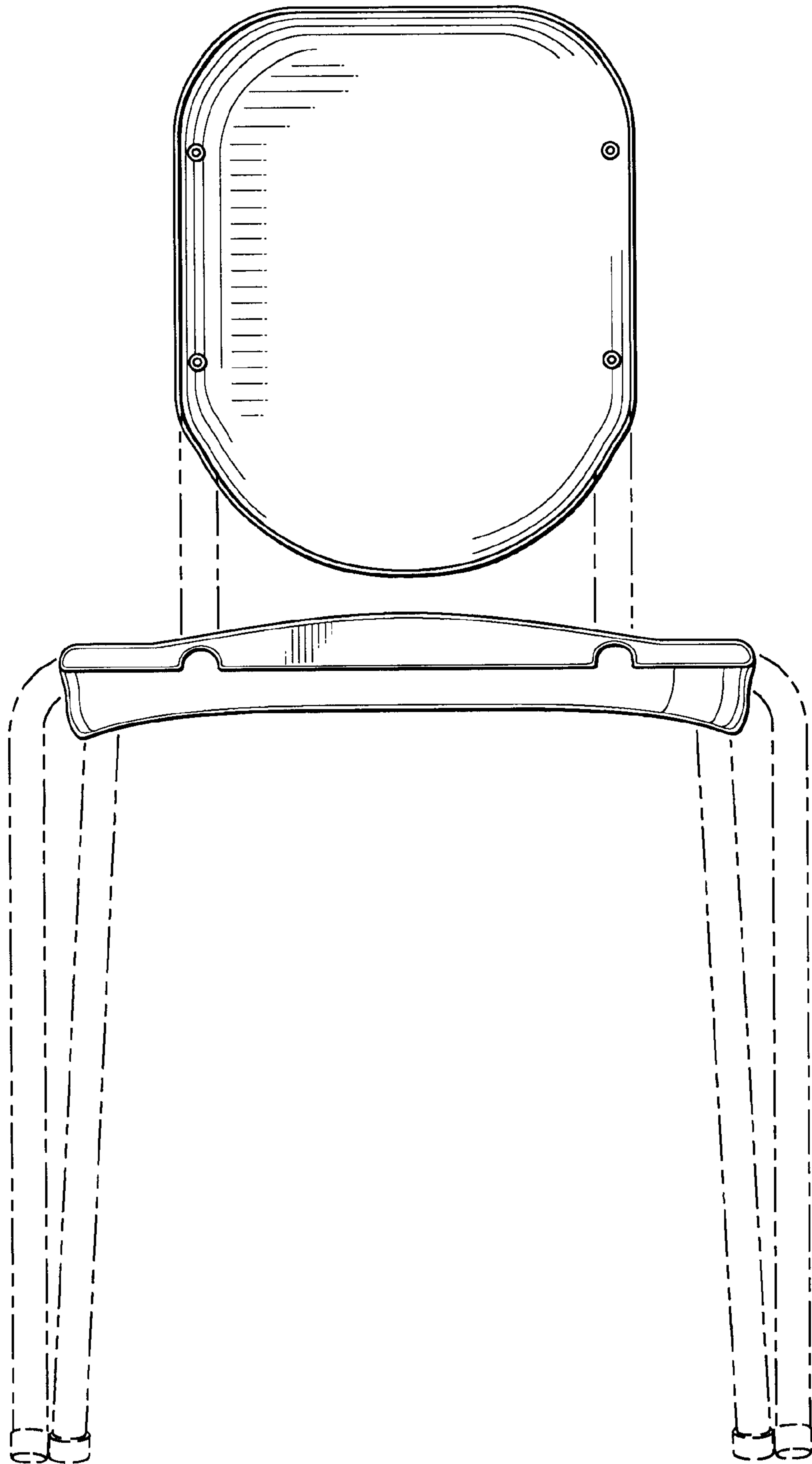


Fig. 4

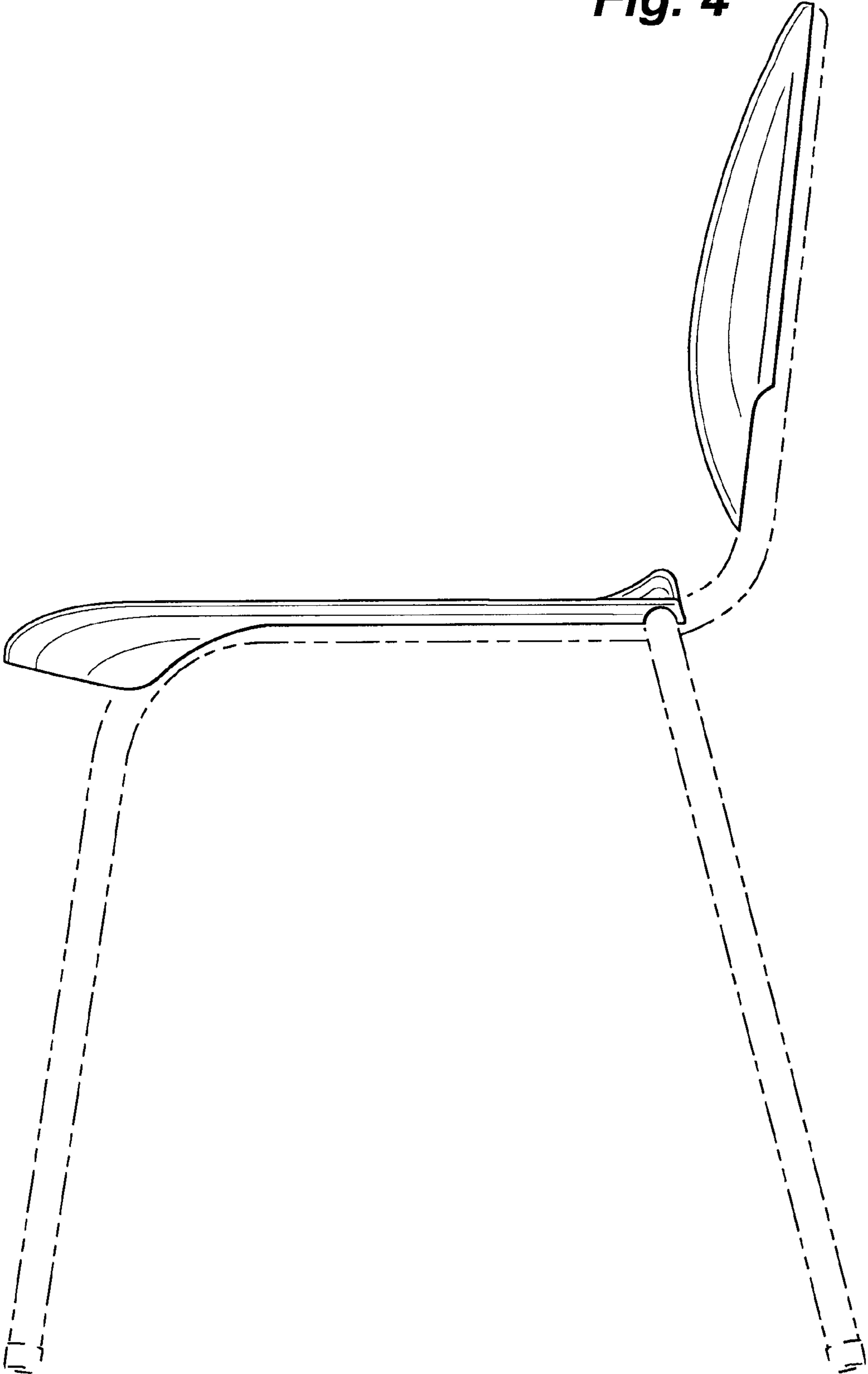


Fig. 5

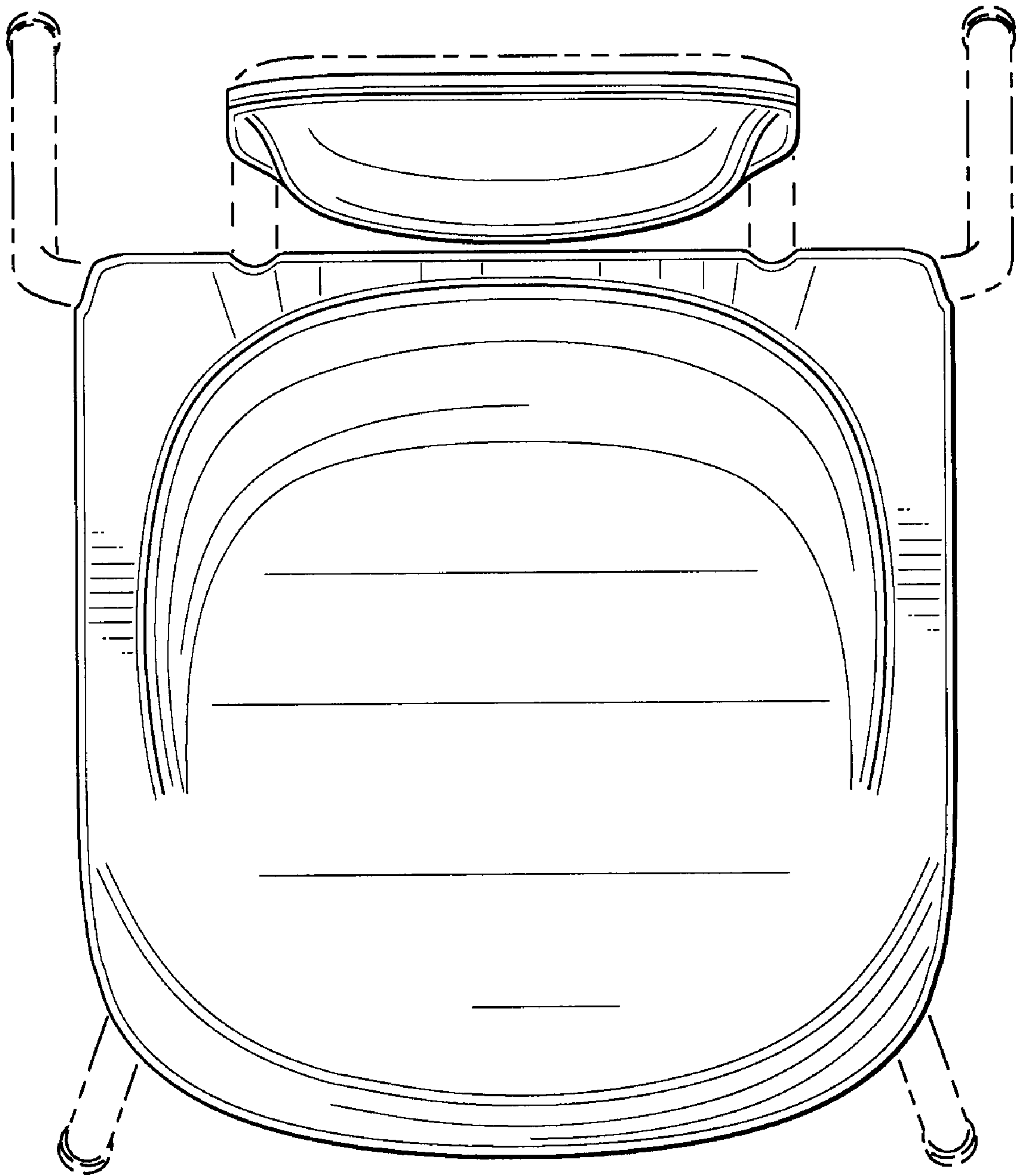


Fig. 6

