



US00D524582S

(12) **United States Design Patent**
Tsai

(10) **Patent No.:** **US D524,582 S**

(45) **Date of Patent:** **** Jul. 11, 2006**

(54) **OFFICE CHAIR BASE**

(76) **Inventor:** **Po-Chuan Tsai**, P.O. Box 90, Tainan City (TW)

(**) **Term:** **14 Years**

(21) **Appl. No.:** **29/190,409**

(22) **Filed:** **Sep. 22, 2003**

(51) **LOC (8) Cl.** **06-06**

(52) **U.S. Cl.** **D6/498; D6/366**

(58) **Field of Classification Search** D6/334, D6/335, 364, 365, 366, 367, 498, 500, 501, D6/502; 248/188.1, 188.7, 188.8, 188.9; 297/344.18, 463.1

See application file for complete search history.

(56) **References Cited**

U.S. PATENT DOCUMENTS

D238,327 S * 1/1976 George D6/498

D309,533 S * 7/1990 Dozsa-Farkas D6/366
5,906,343 A * 5/1999 Battey et al. 248/188.7
D482,217 S * 11/2003 Lin D6/498

* cited by examiner

Primary Examiner—Gary D. Watson

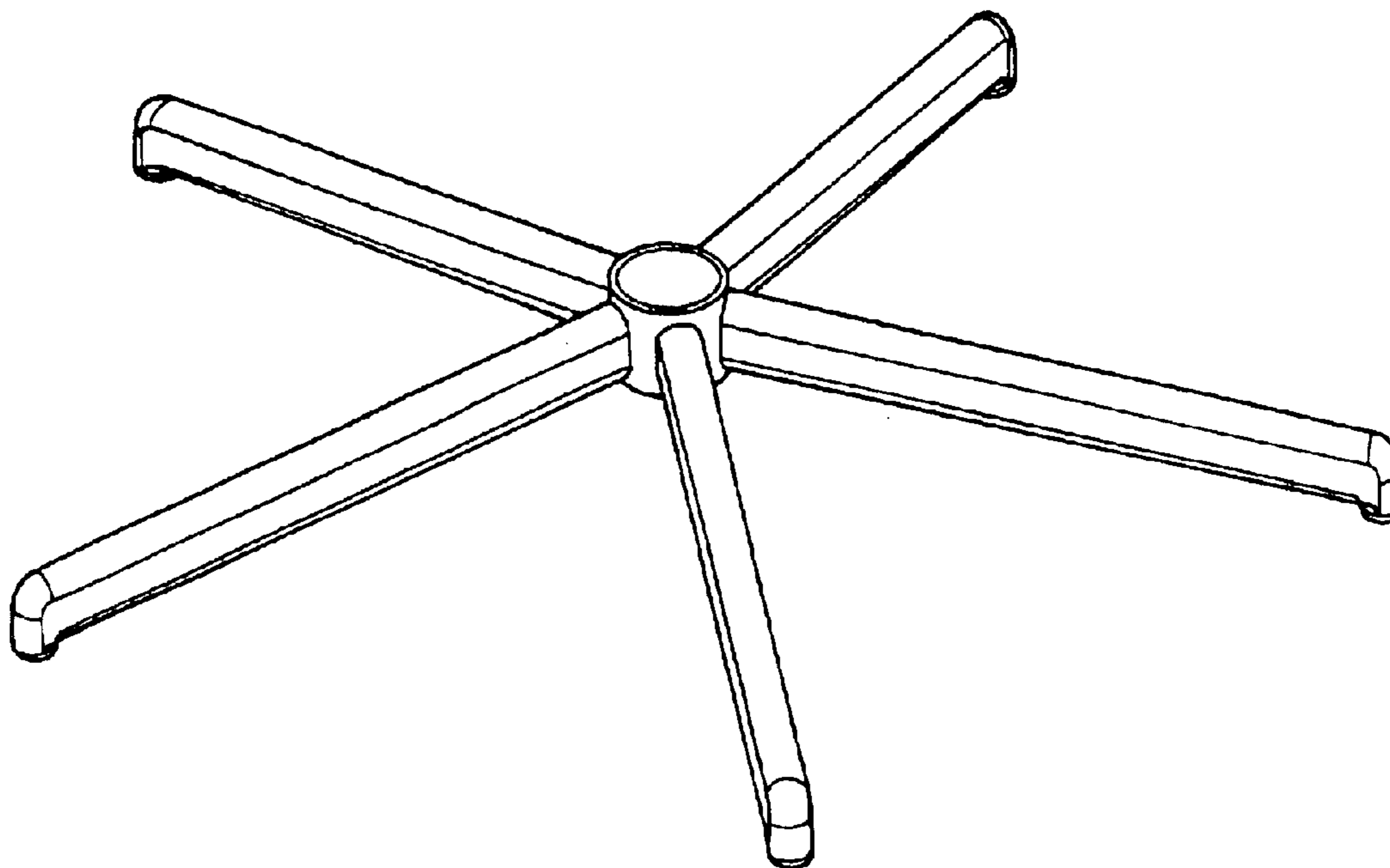
(57) **CLAIM**

The ornamental design for office chair base, as shown as described.

DESCRIPTION

FIG. 1 is a perspective view of office chair base showing my design;
FIG. 2 is a front elevational view thereof;
FIG. 3 is a rear elevational view thereof;
FIG. 4 is a left side elevational view thereof;
FIG. 5 is a right side elevational view thereof;
FIG. 6 is a top plan view thereof; and,
FIG. 7 is a bottom plan view thereof.

1 Claim, 5 Drawing Sheets



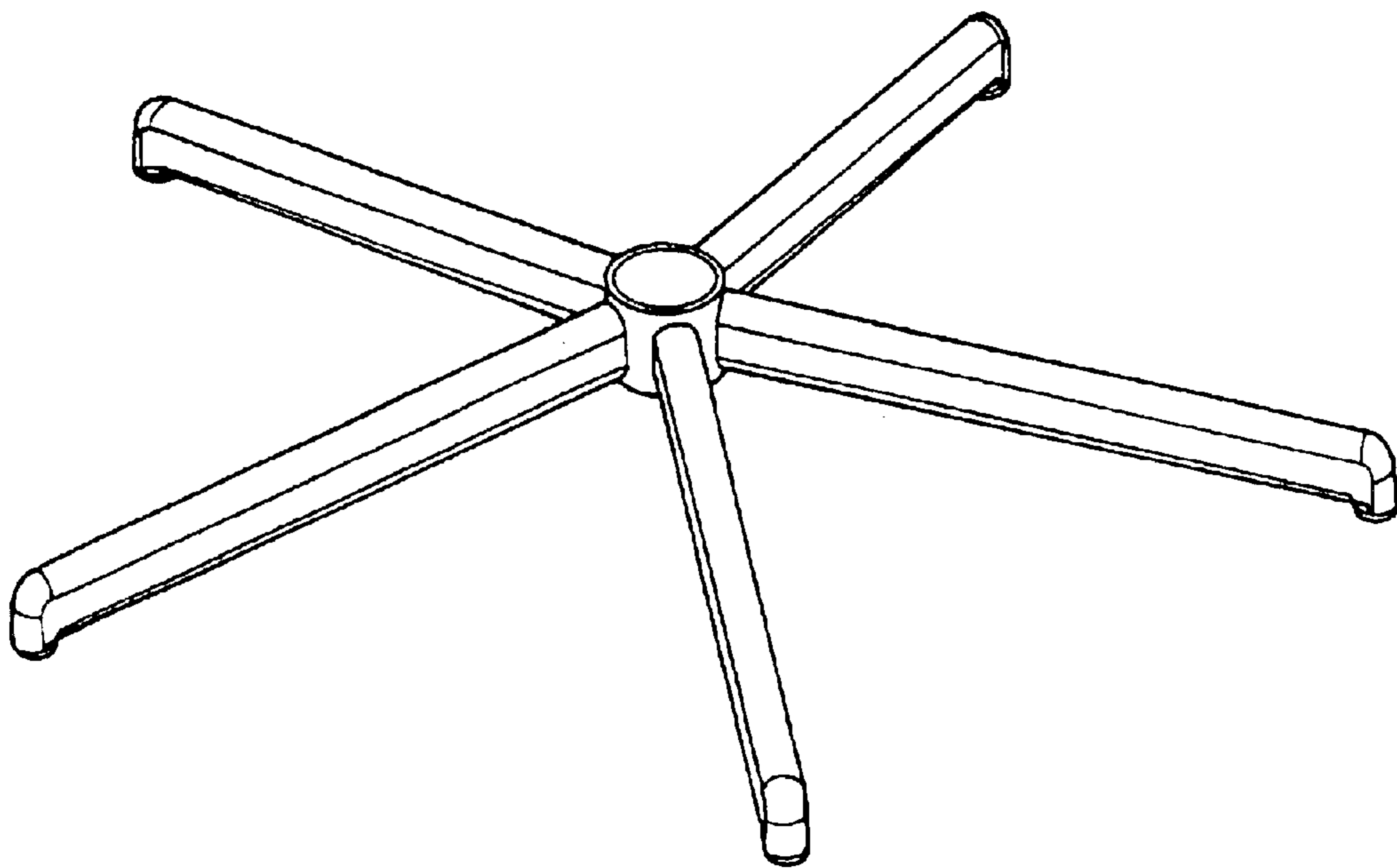


FIG.1

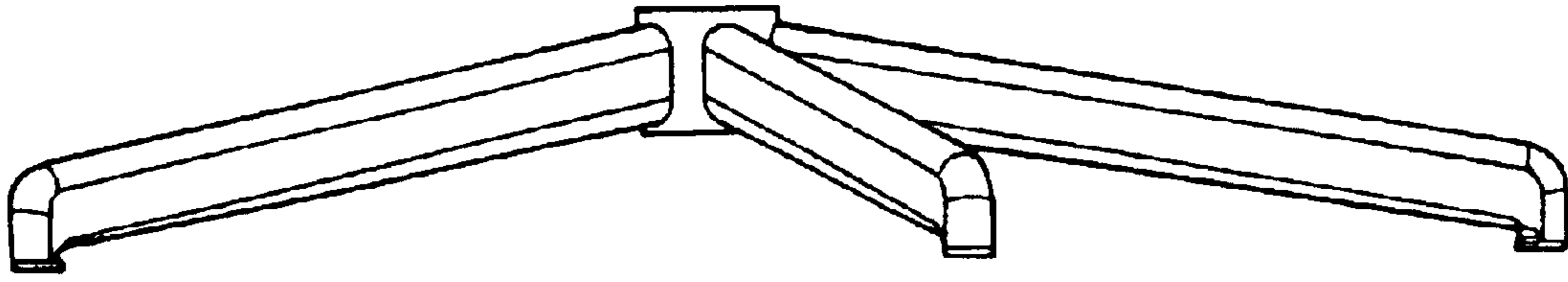


FIG. 2

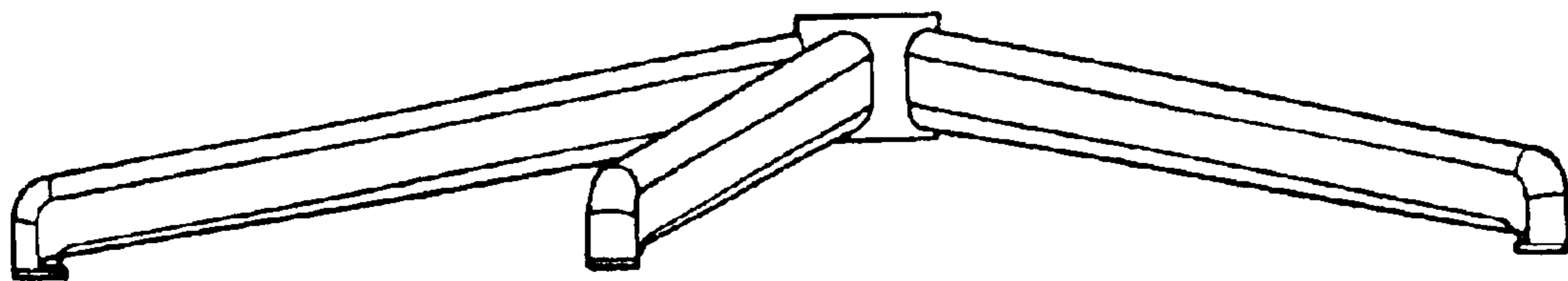


FIG. 3

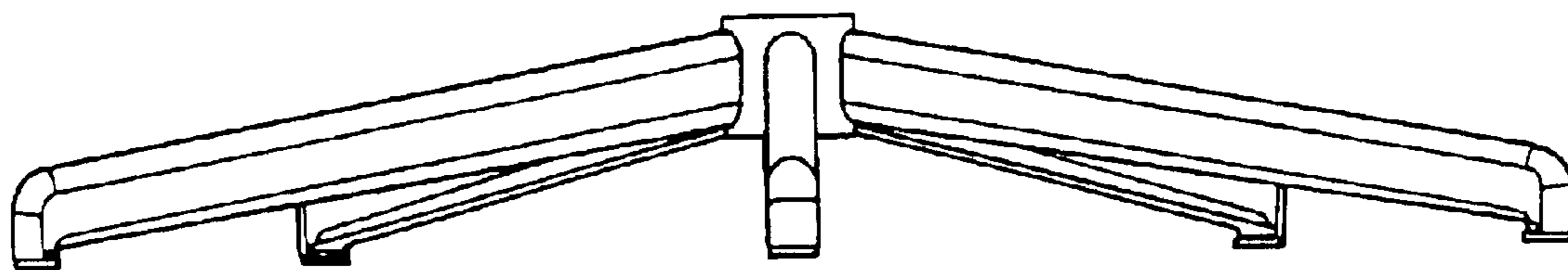


FIG. 4

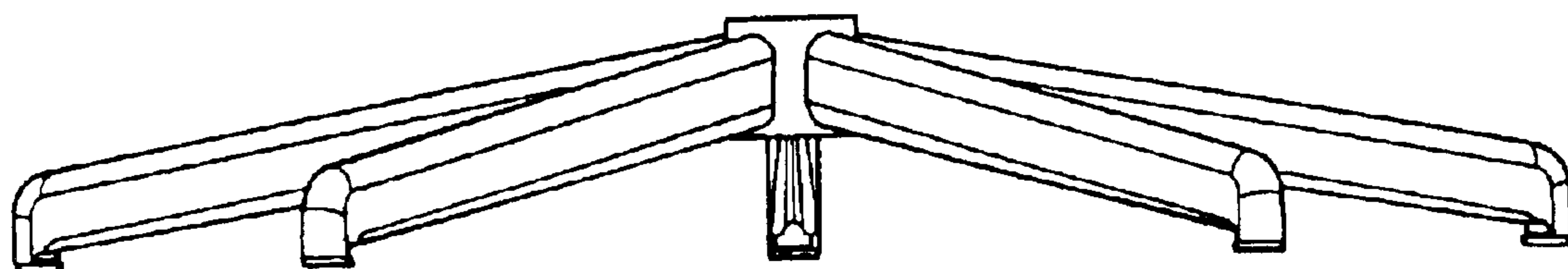


FIG. 5

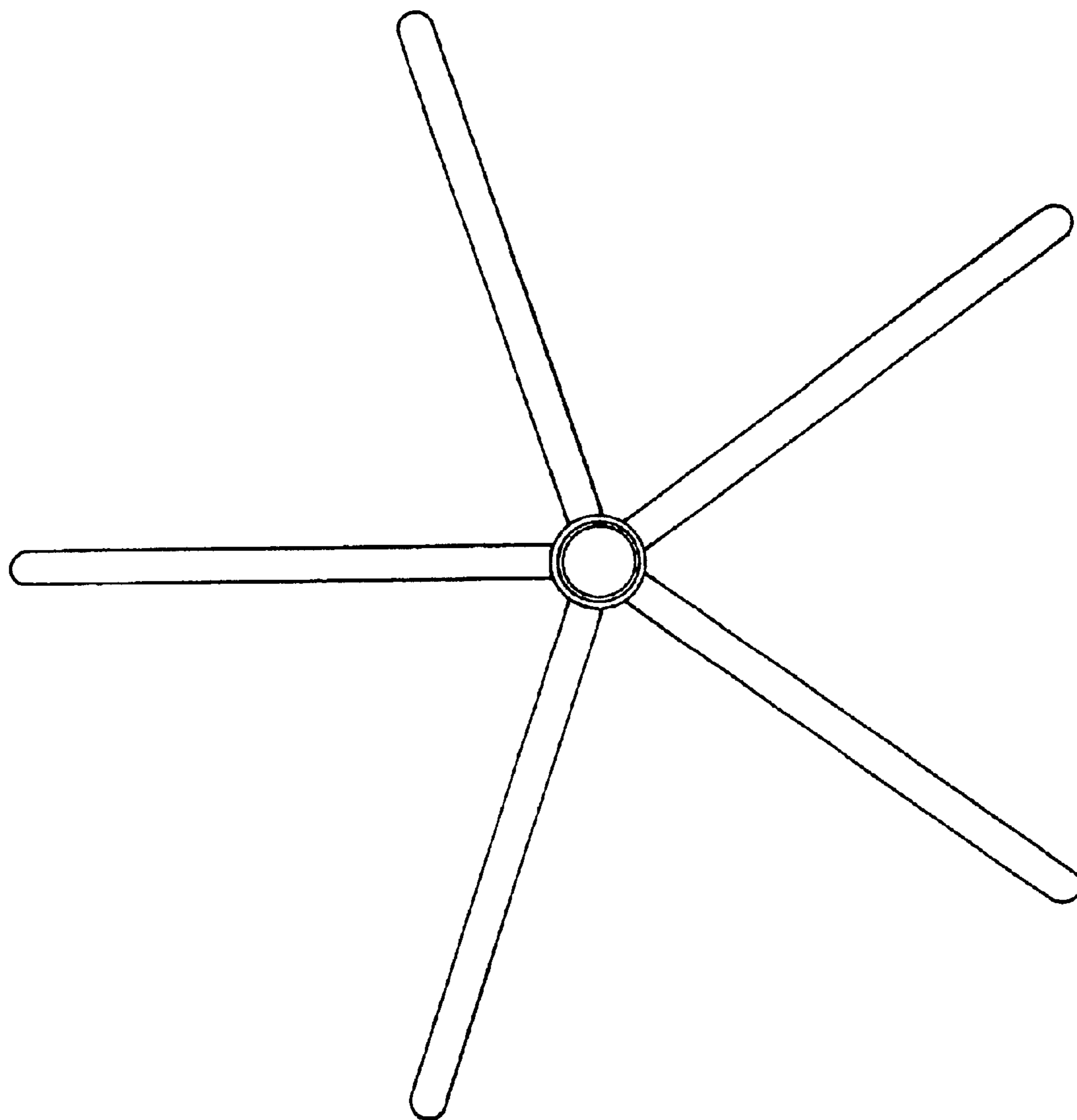


FIG.6

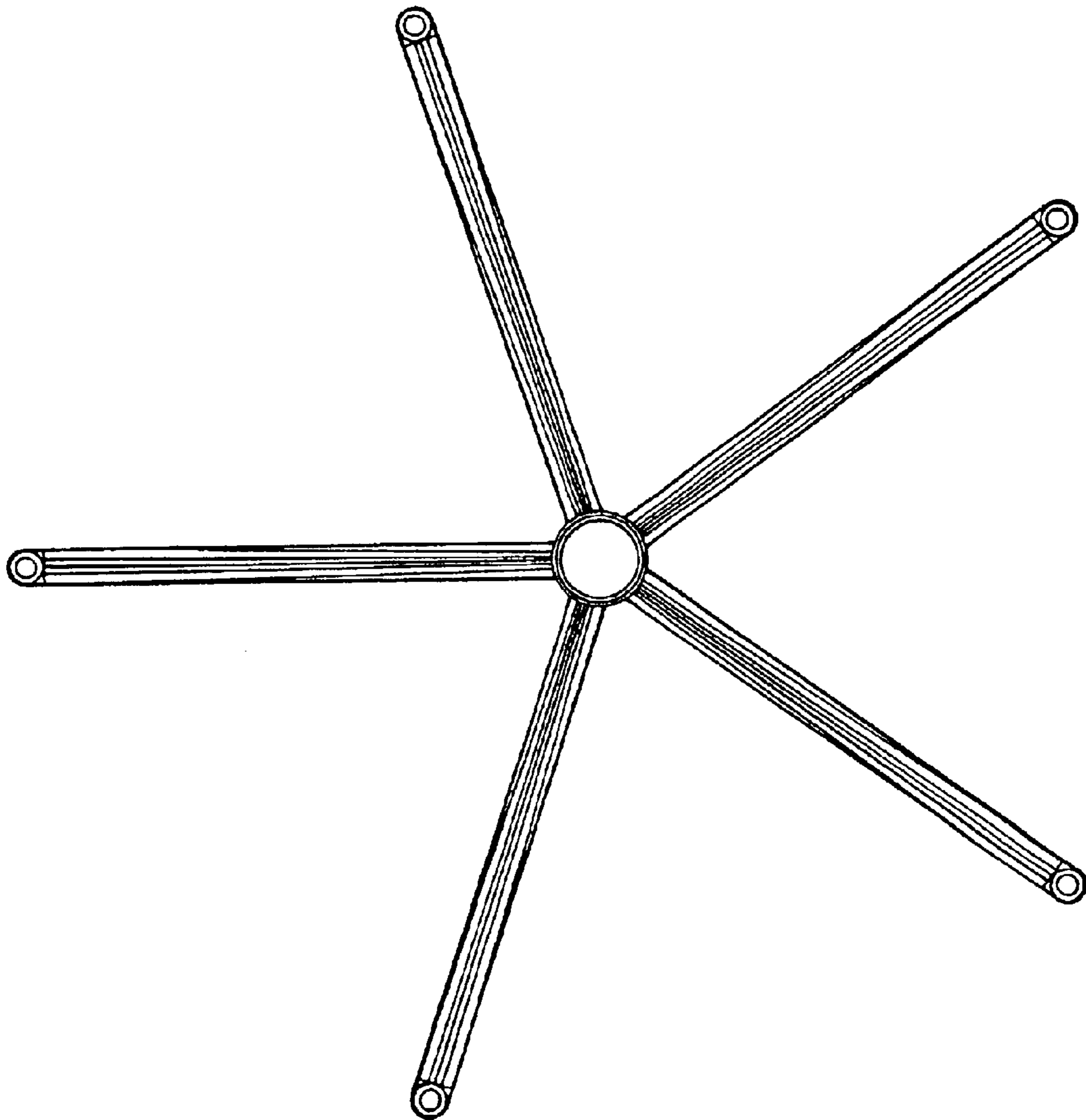


FIG.7