



US00D524581S

(12) **United States Design Patent**
Warriner

(10) **Patent No.:** **US D524,581 S**
(45) **Date of Patent:** **** Jul. 11, 2006**

(54) **CONFERENCE TABLE BASE**

(76) Inventor: **Gerald E. Warriner**, 9037-H York La.,
West Melbourne, FL (US) 32904

(**) Term: **14 Years**

(21) Appl. No.: **29/215,326**

(22) Filed: **Oct. 18, 2004**

(51) **LOC (8) Cl.** **06-06**

(52) **U.S. Cl.** **D6/495**

(58) **Field of Classification Search** D6/480-489,
D6/495-499, 474, 479; 108/150, 153.1, 155,
108/156, 157.1, 161; 248/188, 188.1, 188.8,
248/188.9

See application file for complete search history.

(56) **References Cited**

U.S. PATENT DOCUMENTS

D103,983 S	*	4/1937	Alexander	D6/485
D112,864 S	*	1/1939	Schlup	D6/336
D227,313 S	*	6/1973	Elsner	D6/495
D333,230 S	*	2/1993	Bareiss	D6/495

OTHER PUBLICATIONS

Selig, #47-04 cocktail table.*
Selig, #96-06 cocktail table at right anc center.*
Selig, #58-02 end table at top left.*

* cited by examiner

Primary Examiner—Janice E. Seeger

(57) **CLAIM**

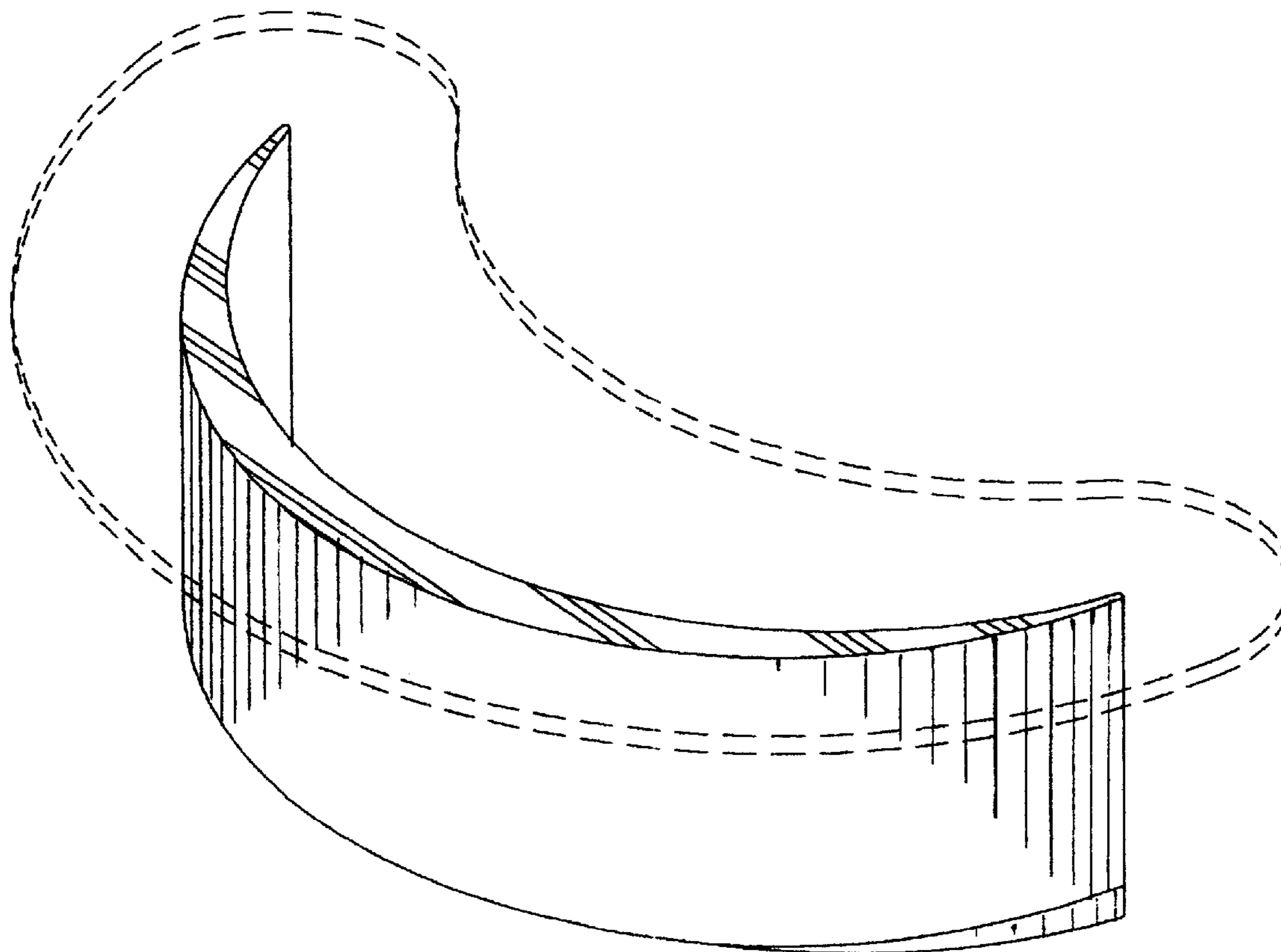
The ornamental design for a conference table base, as shown and described.

DESCRIPTION

FIG. 1 is an isometric view of the conference table base showing my new design;
FIG. 2 is a top view thereof;
FIG. 3 is the front elevation thereof;
FIG. 4 is the side elevation; opposite side is mirror image; and,
FIG. 5 is a cross-sectional view taken along line 5—5 in FIG. 3.

The broken lines are for environmental purposes only and form no part of the claimed design.

1 Claim, 2 Drawing Sheets



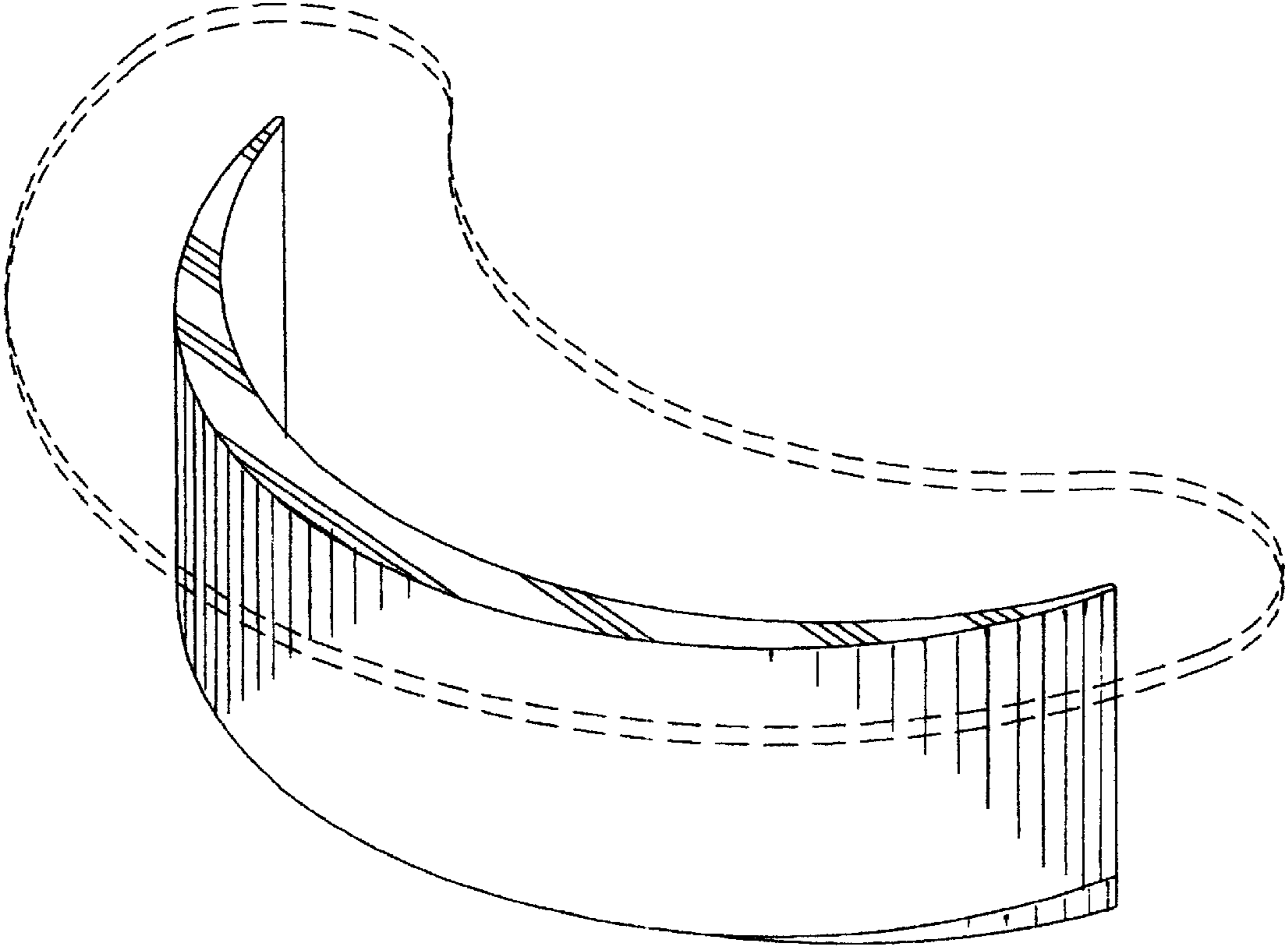


Figure 1

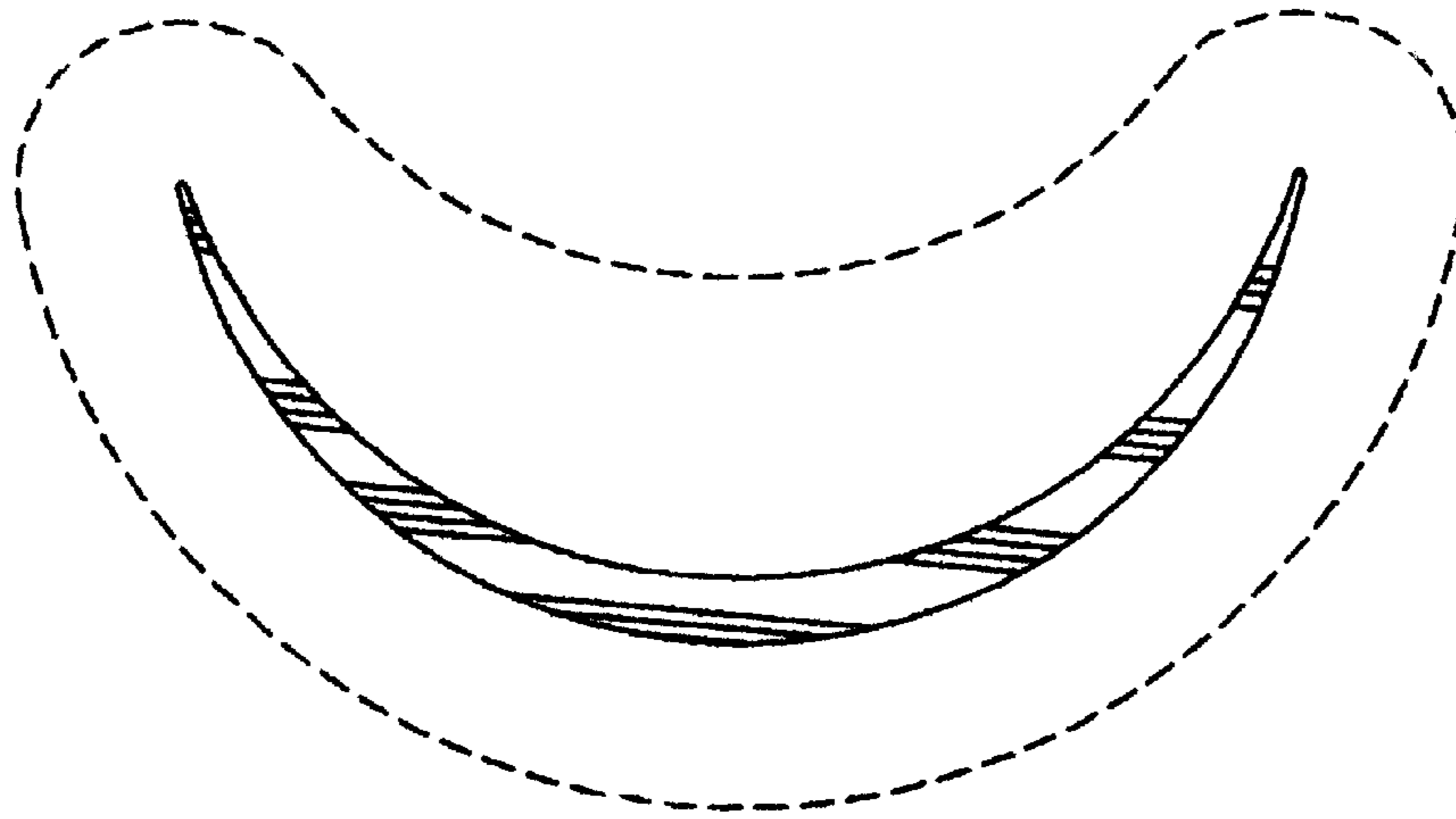


Figure 2

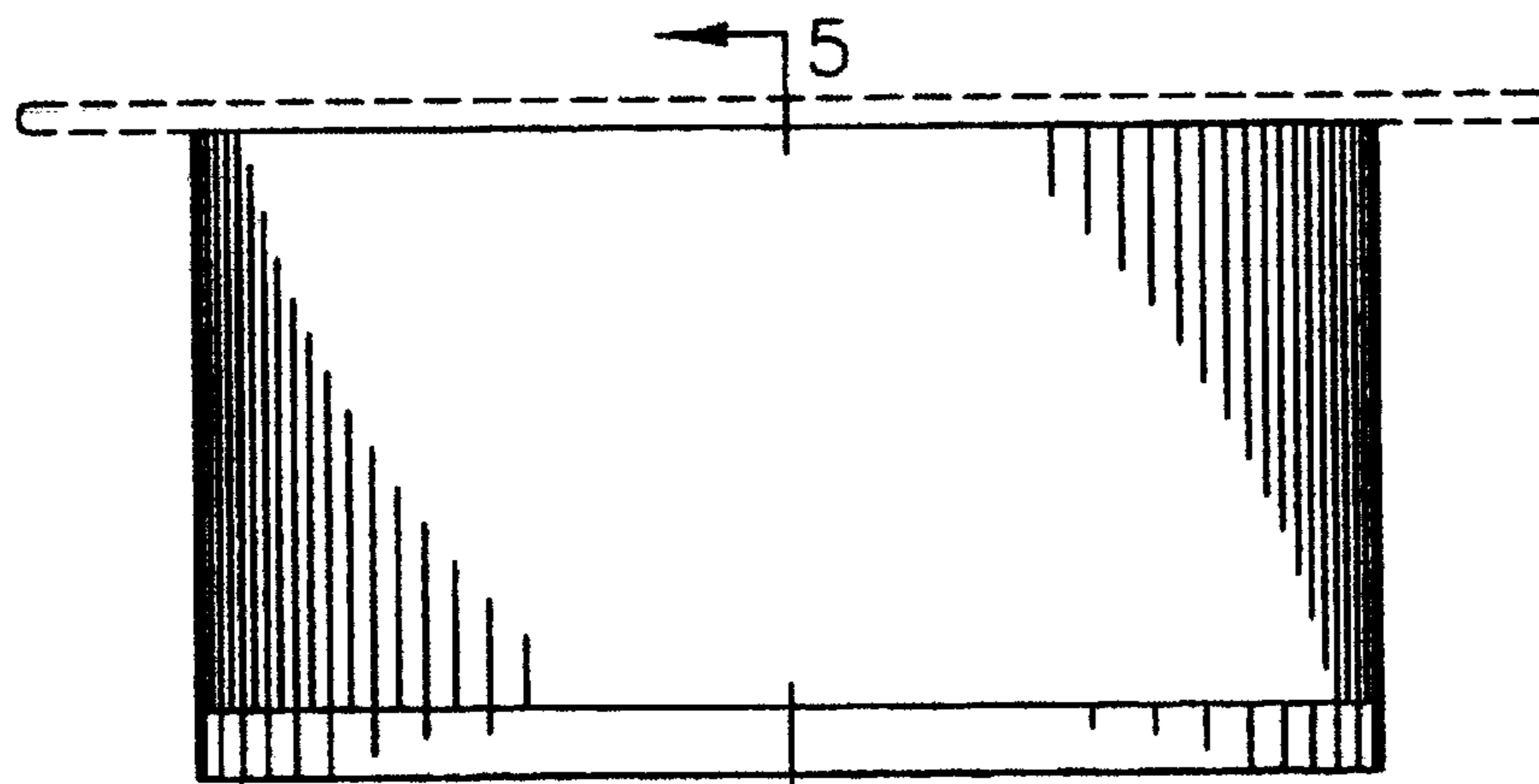


Figure 3

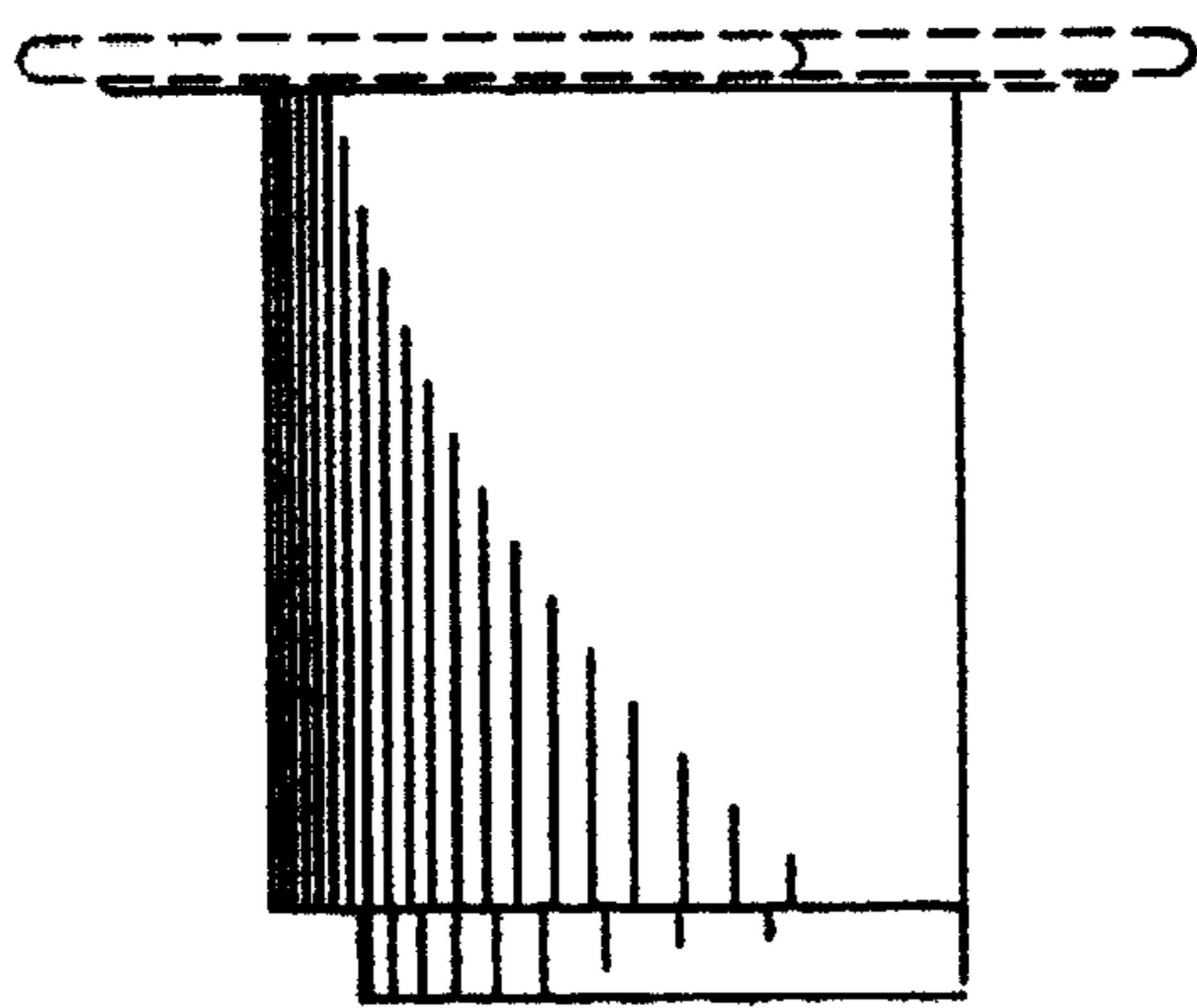


Figure 4

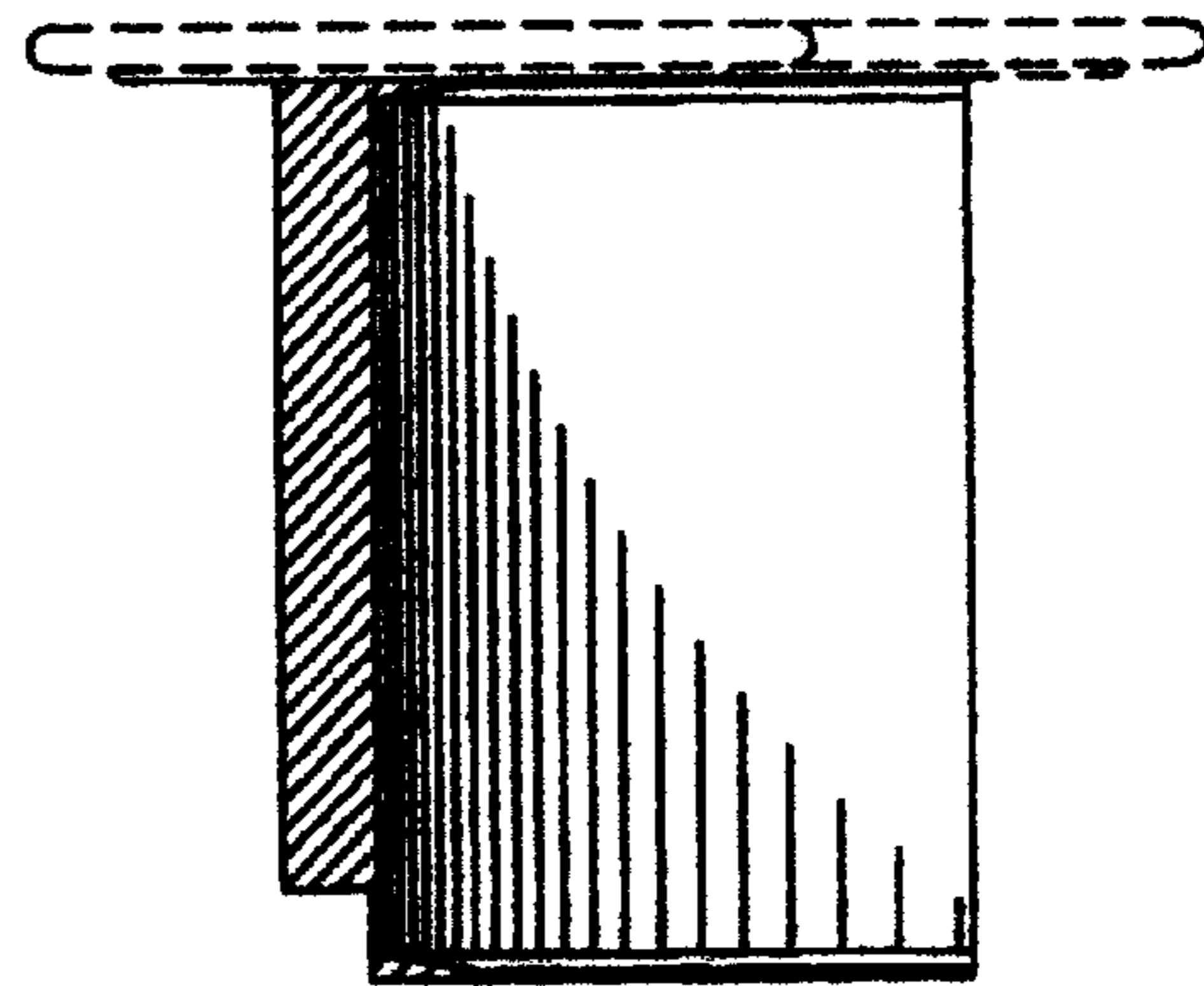


Figure 5