



US00D524578S

(12) **United States Design Patent**  
**Stenhouse et al.**

(10) **Patent No.: US D524,578 S**

(45) **Date of Patent: \*\* \*Jul. 11, 2006**

(54) **MULTI-LEVEL TOWER FOR MEDIA COMPONENTS**

(75) Inventors: **Brett Stenhouse**, Phoenix, AZ (US);  
**Zachary Eyman**, Phoenix, AZ (US);  
**Korry Hoglan**, Phoenix, AZ (US)

(73) Assignee: **OmniMount Systems, Inc.**, Phoenix, AZ (US)

(\*) Notice: This patent is subject to a terminal disclaimer.

(\*\*) Term: **14 Years**

(21) Appl. No.: **29/223,071**

(22) Filed: **Feb. 7, 2005**

(51) **LOC (8) Cl.** ..... **06-04**

(52) **U.S. Cl.** ..... **D6/479**

(58) **Field of Classification Search** ..... D6/460,  
D6/461, 468, 474, 477-479, 509; 312/7.2,  
312/9.1; 108/59, 91, 92, 96; 211/40, 41.12,  
211/42, 49.1, 50, 85.2, 90.04, 187, 190, 119.003,  
211/134.153, 87.01, 71.01  
See application file for complete search history.

(56) **References Cited**

**U.S. PATENT DOCUMENTS**

D427,459 S	*	7/2000	Druebbisch	.....	D6/479
D472,074 S	*	3/2003	de Carolis	.....	D6/479
D483,581 S	*	12/2003	Chang	.....	D6/479
D491,386 S	*	6/2004	Sexton	.....	D6/479
D491,753 S	*	6/2004	deCarolis	.....	D6/479

D495,164 S	*	8/2004	Chang	.....	D6/479
D496,806 S	*	10/2004	Chang	.....	D6/477
D496,807 S	*	10/2004	deCarolis	.....	D6/477
D497,060 S	*	10/2004	Chang	.....	D6/477
D497,061 S	*	10/2004	Decarolis	.....	D6/479
D505,573 S	*	5/2005	Malizia	.....	D6/474

**OTHER PUBLICATIONS**

U.S. Appl. No. 29/222,542, Stenhouse et al.  
U.S. Appl. No. 29/222,545, Stenhouse et al.  
U.S. Appl. No. 29/222,546, Stenhouse et al.

\* cited by examiner

*Primary Examiner*—Cathron C. Brooks

(74) *Attorney, Agent, or Firm*—Perkins Coie LLP

(57) **CLAIM**

The ornamental design for a multi-level tower for media components, as shown and described.

**DESCRIPTION**

FIG. 1 is a top, left isometric view of an embodiment of a multi-level tower for media components showing our design.

FIG. 2 is a left-side elevational view thereof; the right side elevational view is a mirror image of FIG. 2.

FIG. 3 is a top plan view thereof.

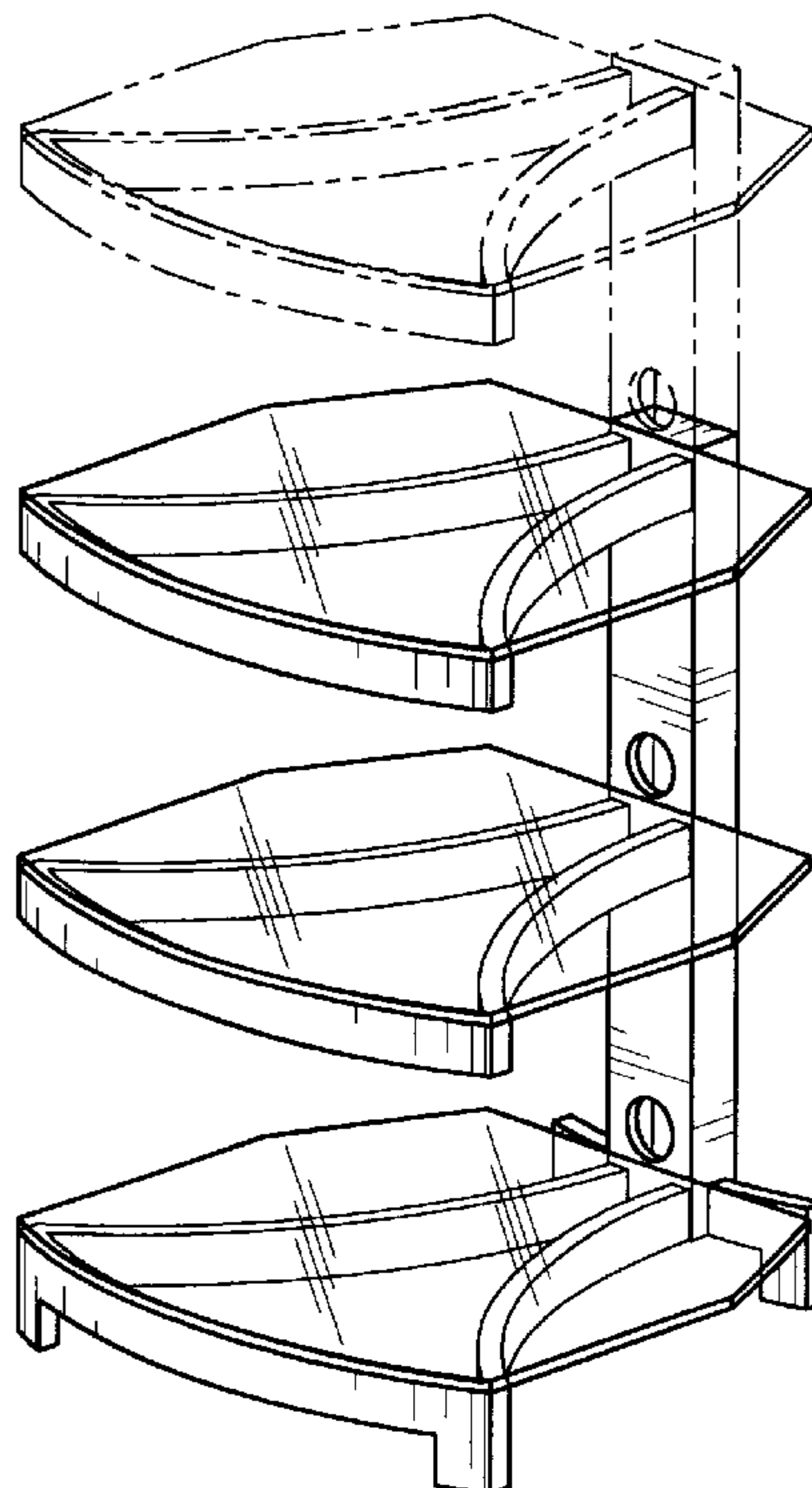
FIG. 4 is a bottom plan view thereof.

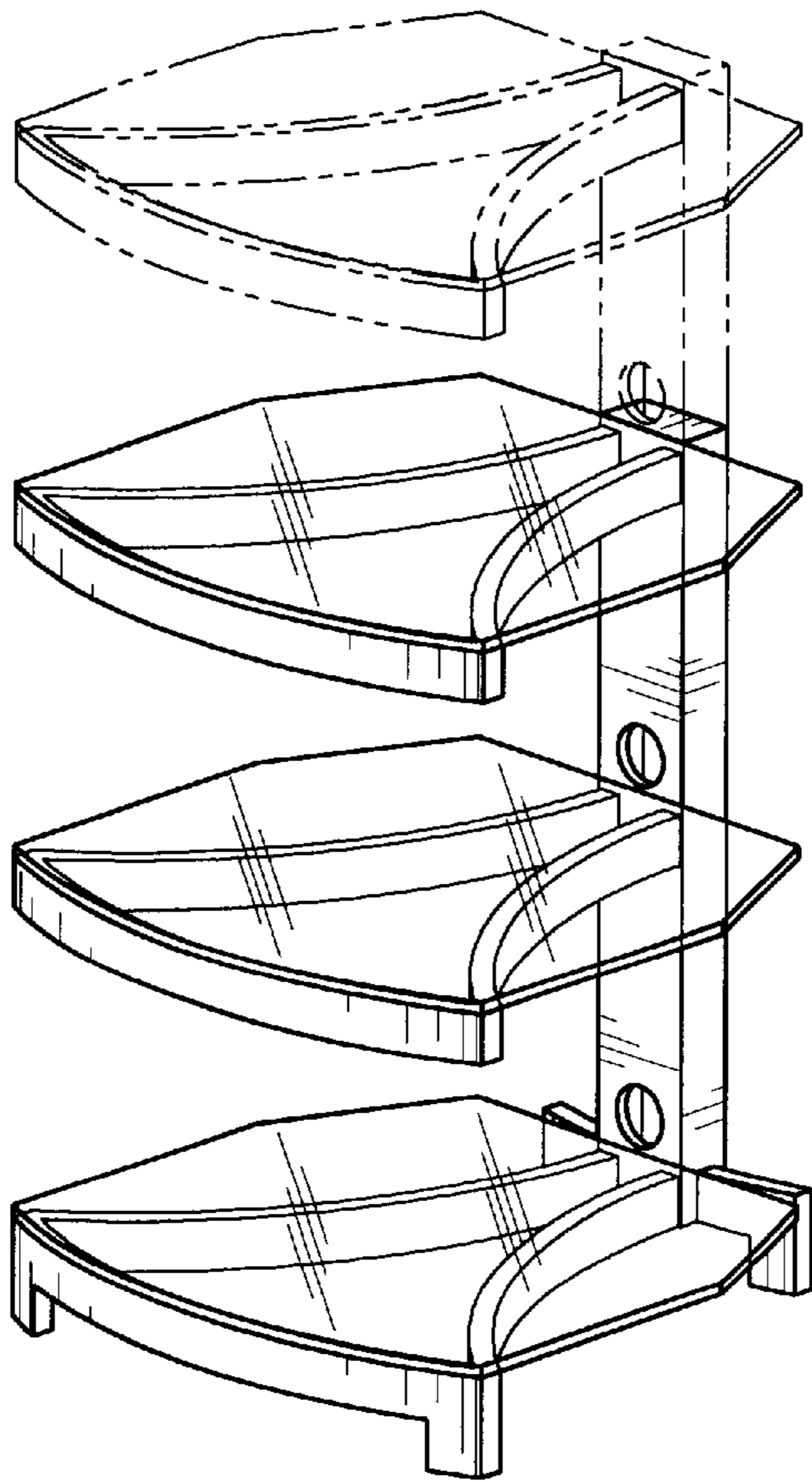
FIG. 5 is a front elevational view thereof; and,

FIG. 6 is a rear elevational view thereof.

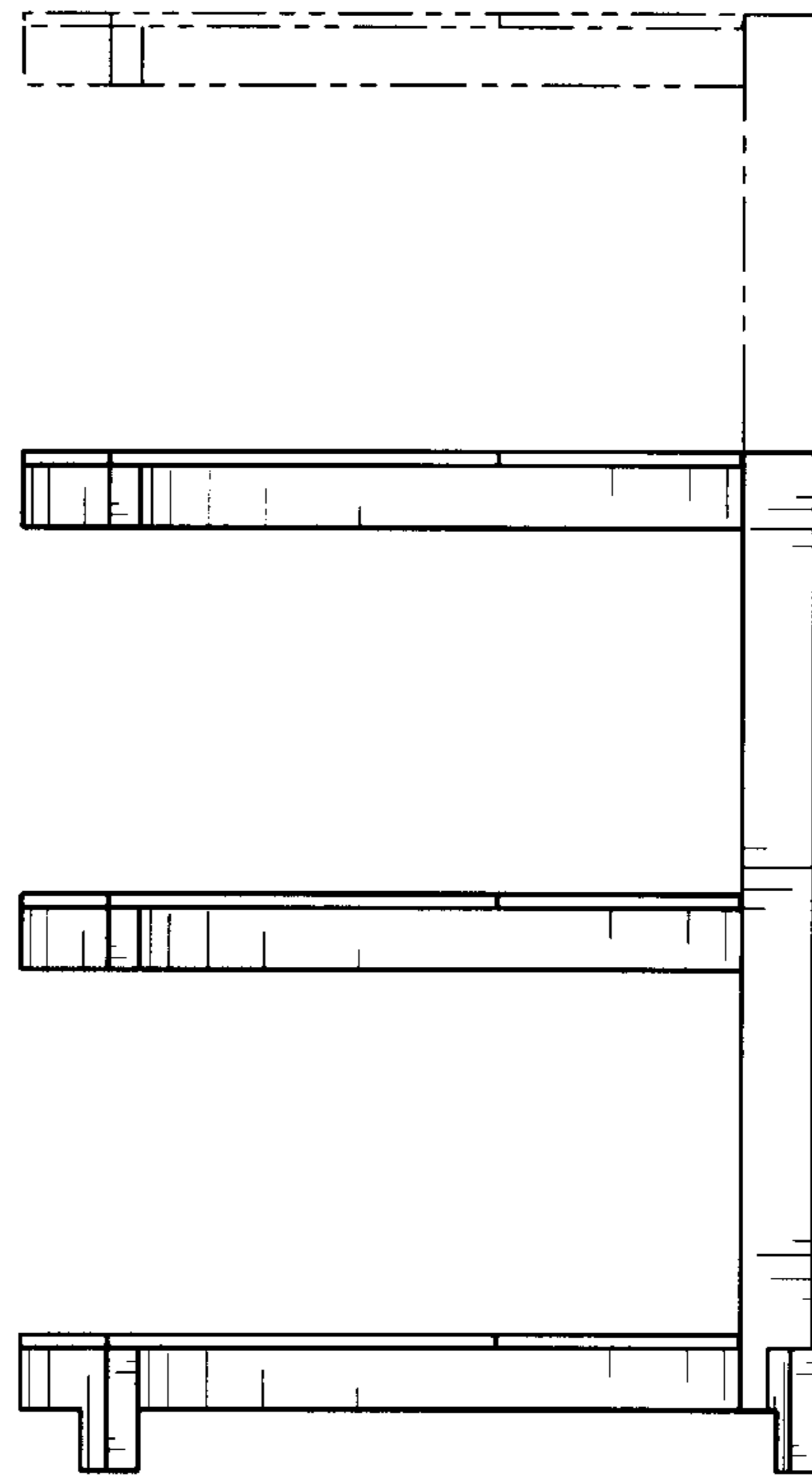
The broken lines shown are for illustrative purposes only and form no part of the claimed design.

**1 Claim, 2 Drawing Sheets**

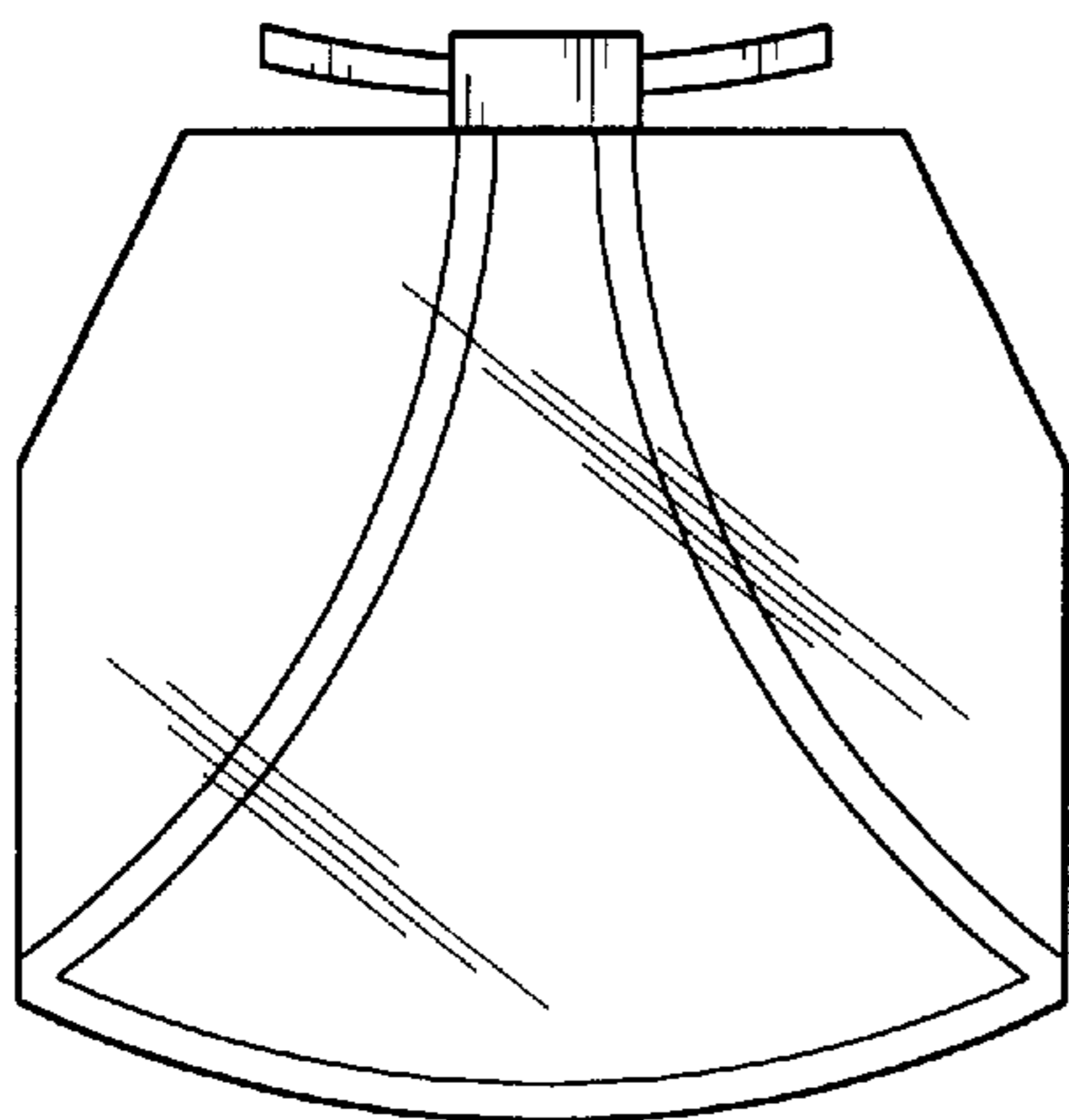




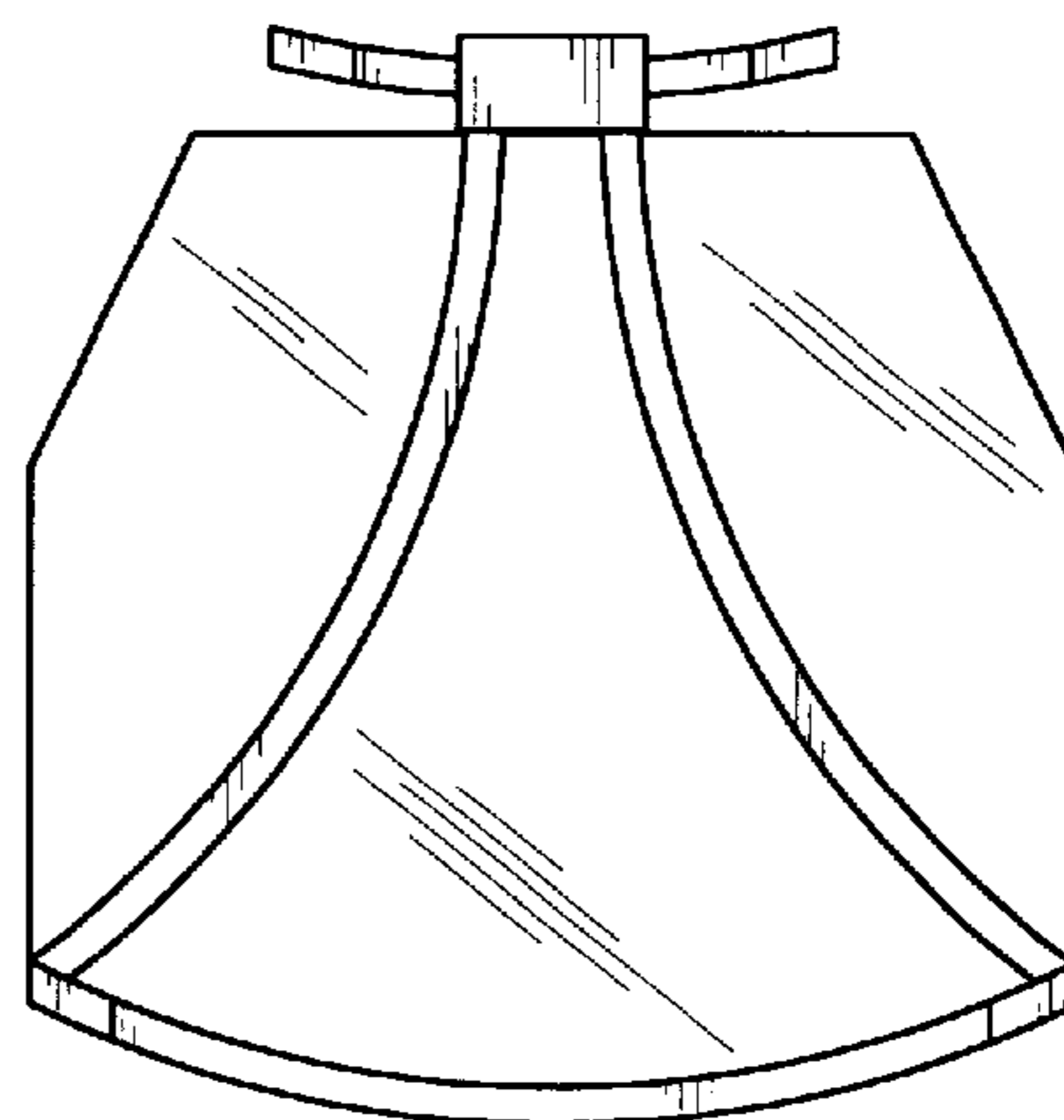
*Fig. 1*



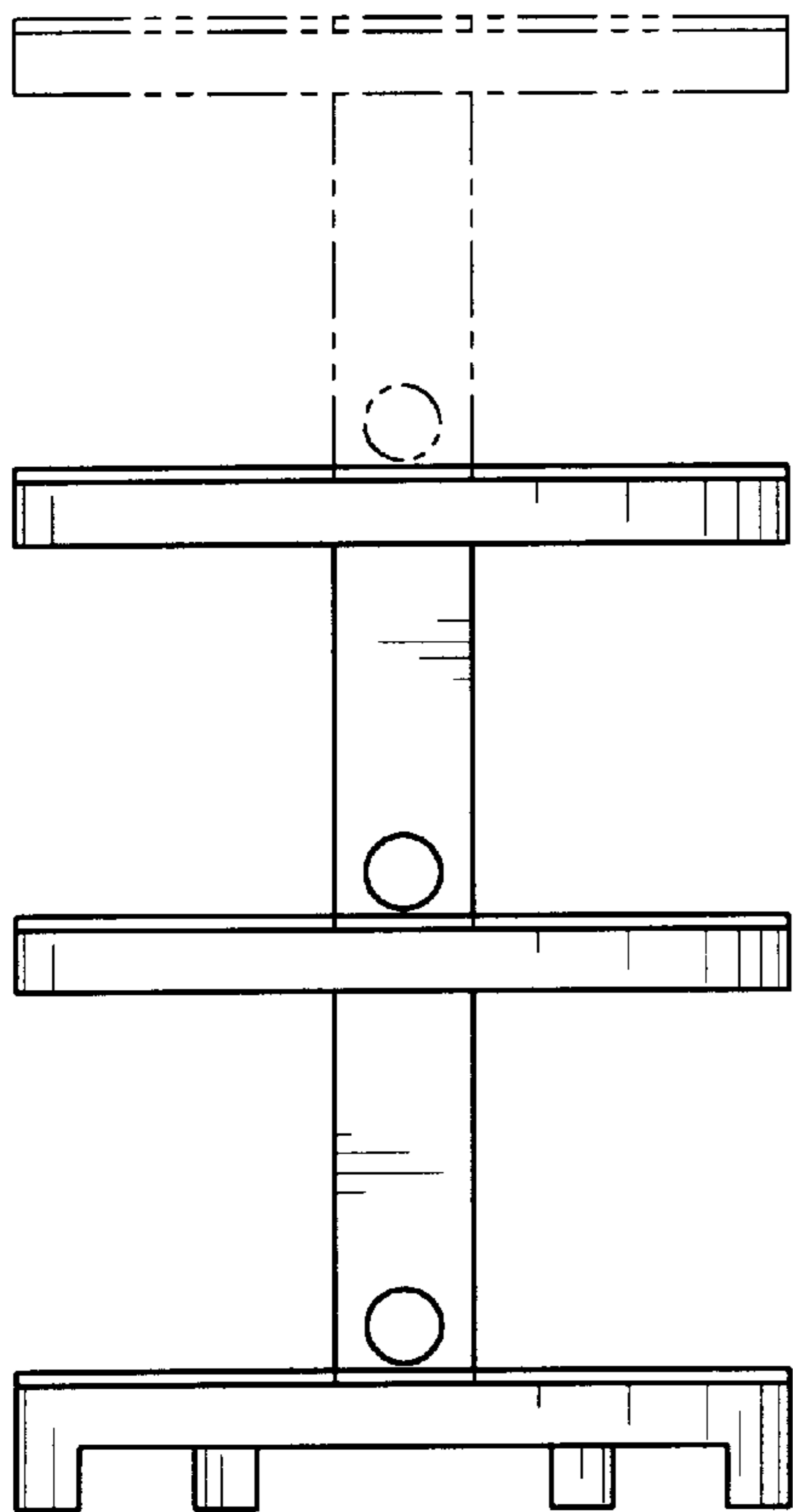
*Fig. 2*



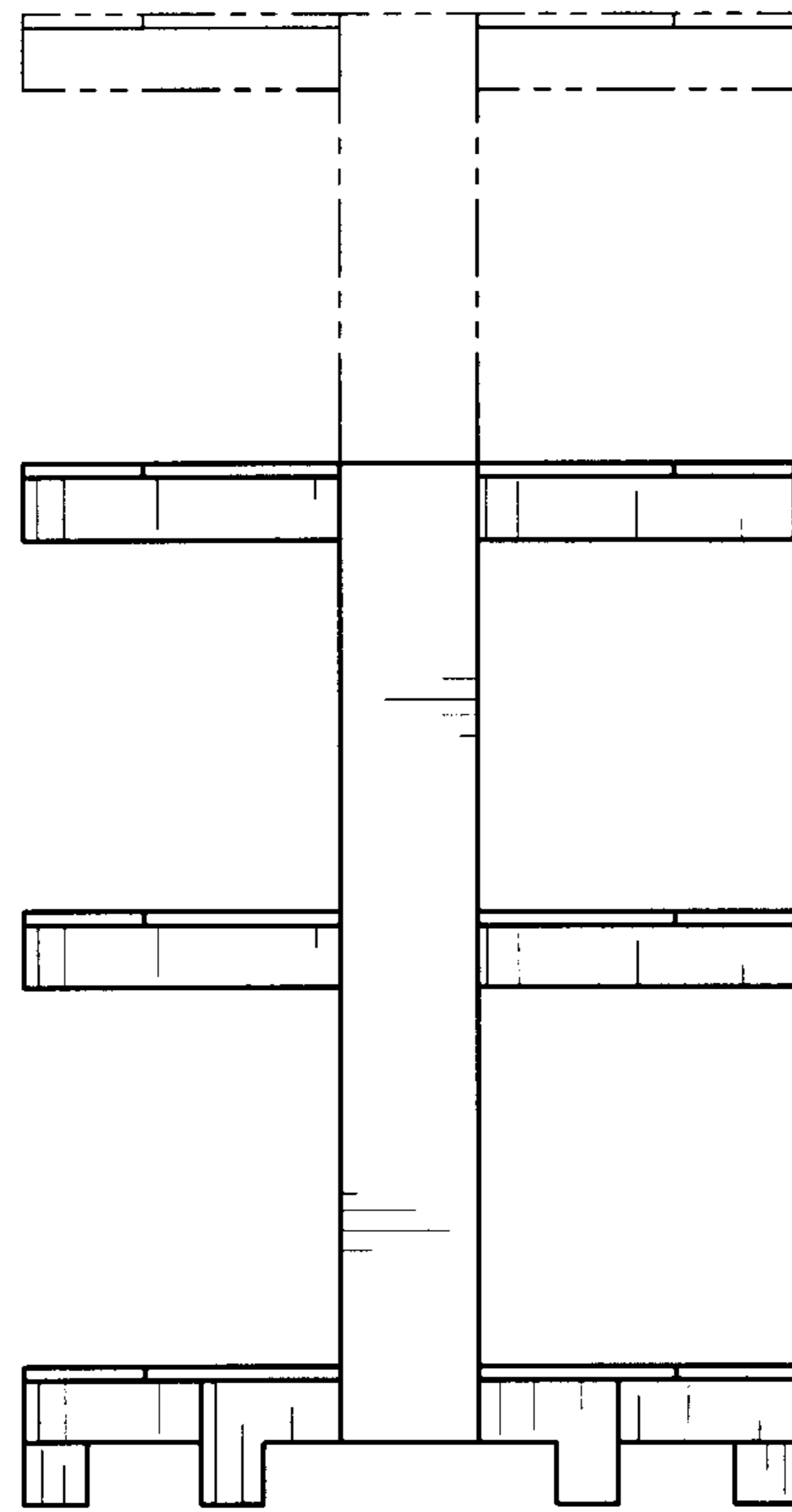
*Fig. 3*



*Fig. 4*



*Fig. 5*



*Fig. 6*