

US00D524574S

(12) **United States Design Patent** (10) **Patent No.:** **US D524,574 S**  
**Benson** (45) **Date of Patent:** **\*\* Jul. 11, 2006**

(54) **DISPLAY**

(76) Inventor: **Joel Wayne Benson**, 19 Westwood Ln.,  
Lincolnshire, IL (US) 60069

(\*\*) Term: **14 Years**

(21) Appl. No.: **29/228,231**

(22) Filed: **Apr. 21, 2005**

(51) **LOC (8) Cl.** ..... **06-04**

(52) **U.S. Cl.** ..... **D6/470**

(58) **Field of Classification Search** ..... D6/466,  
D6/470-472; D19/90, 91; 312/114, 204;  
428/13, 14

See application file for complete search history.

(56) **References Cited**

**U.S. PATENT DOCUMENTS**

D128,141 S	*	7/1941	Meyer	.....	D6/472
D203,955 S	*	3/1966	Campbell	.....	D6/309
D209,358 S	*	11/1967	Kardach	.....	D6/466
D229,706 S	*	12/1973	Semler	.....	D21/392
D277,196 S	*	1/1985	Eason	.....	D20/43
D284,777 S	*	7/1986	Anthony	.....	D19/91
D329,558 S	*	9/1992	Keown	.....	D6/515
D330,649 S	*	11/1992	Lemire	.....	D6/466
D348,485 S	*	7/1994	Short	.....	D19/90
D349,925 S	*	8/1994	Charron et al.	.....	D19/90
D412,074 S	*	7/1999	DeWitt	.....	D6/466
D424,330 S	*	5/2000	DeWitt	.....	D6/466
D493,639 S	*	8/2004	Williams	.....	D6/470
D496,195 S	*	9/2004	Campbell et al.	.....	D6/471

\* cited by examiner

*Primary Examiner*—Cathron C. Brooks

(57) **CLAIM**

The ornamental design for a display, as shown and described.

**DESCRIPTION**

A claim for copyright (© 2005 by Joel W. Benson) is made for the display design, as illustrated in all drawings provided

herewith. The copyright owner has no objection to the facsimile reproduction by anyone of this patent document, the drawings, or this patent disclosure, as it appears in the U.S. Patent and Trademark Office patent file or record, but otherwise reserves all copyright rights whatsoever.

FIG. 1 is a perspective view of a first embodiment of a display;

FIG. 2 is a front elevation view of the display of FIG. 1;

FIG. 3 is an end elevation view of the display of FIG. 1, which is a mirror image of the opposite end;

FIG. 4 is a bottom elevation view of the display of FIG. 1;

FIG. 5 is a top elevation view of the display of FIG. 1;

FIG. 6 is a rear elevation view of the display of FIG. 1;

FIG. 7 is a perspective view of a second embodiment of the display of FIGS. 1-6, the only difference being in the omission of a front viewing plate at the base of the display, it being understood that all other surfaces are the same as shown for FIGS. 1-6;

FIG. 8 is a front elevation view of the display of FIG. 7;

FIG. 9 is an end elevation view of the display of FIG. 7, which is a mirror image of the opposite end;

FIG. 10 is a bottom elevation view of the display of FIG. 7;

FIG. 11 is a top elevation view of the display of FIG. 7;

FIG. 12 is a rear elevation view of the display of FIG. 7;

FIG. 13 is a perspective view of a third embodiment of the display of FIGS. 1-6, the only difference being in the omission of a slot in the front guide rail of the display, it being understood all other surfaces are the same as shown in FIGS. 1-6;

FIG. 14 is a front elevation view of the display of FIG. 13;

FIG. 15 is an end elevation view of the display of FIG. 13, which is a mirror image of the opposite end;

FIG. 16 is a bottom elevation view of the display of FIG. 13;

FIG. 17 is a top elevation view of the display of FIG. 13;

FIG. 18 is a rear elevation view of the display of FIG. 13;

FIG. 19 is a perspective view of a fourth embodiment of a display of FIGS. 1-6, the only difference being in the omission of a front viewing plate at the base of the display and the omission of a slot in the front guide rail of the display, it being understood all other surfaces are the same as shown in FIGS. 1-6;

FIG. 20 is a front elevation view of the display of FIG. 19;

FIG. 21 is an end elevation view of the display of FIG. 19, which is a mirror image of the opposite end;

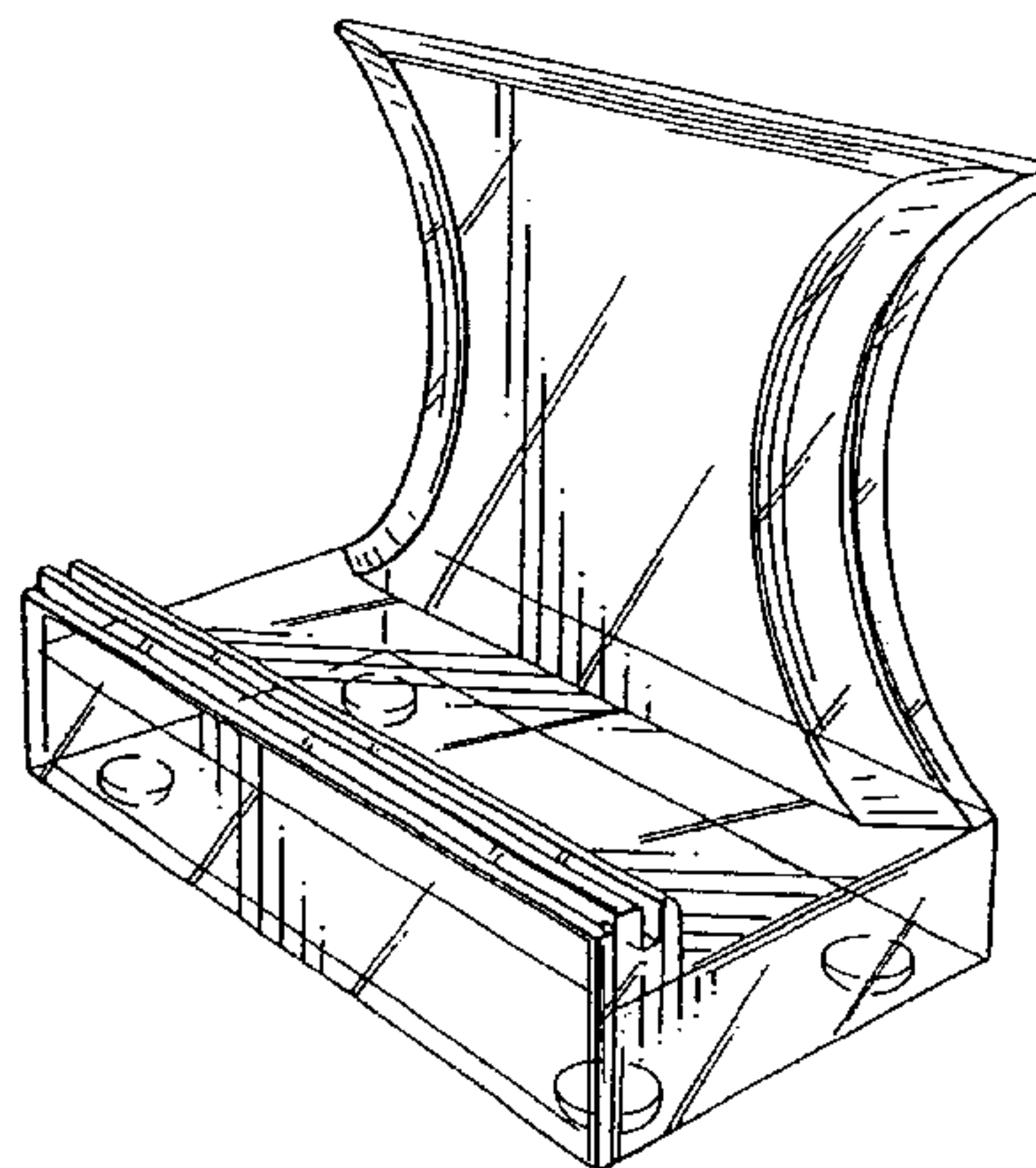
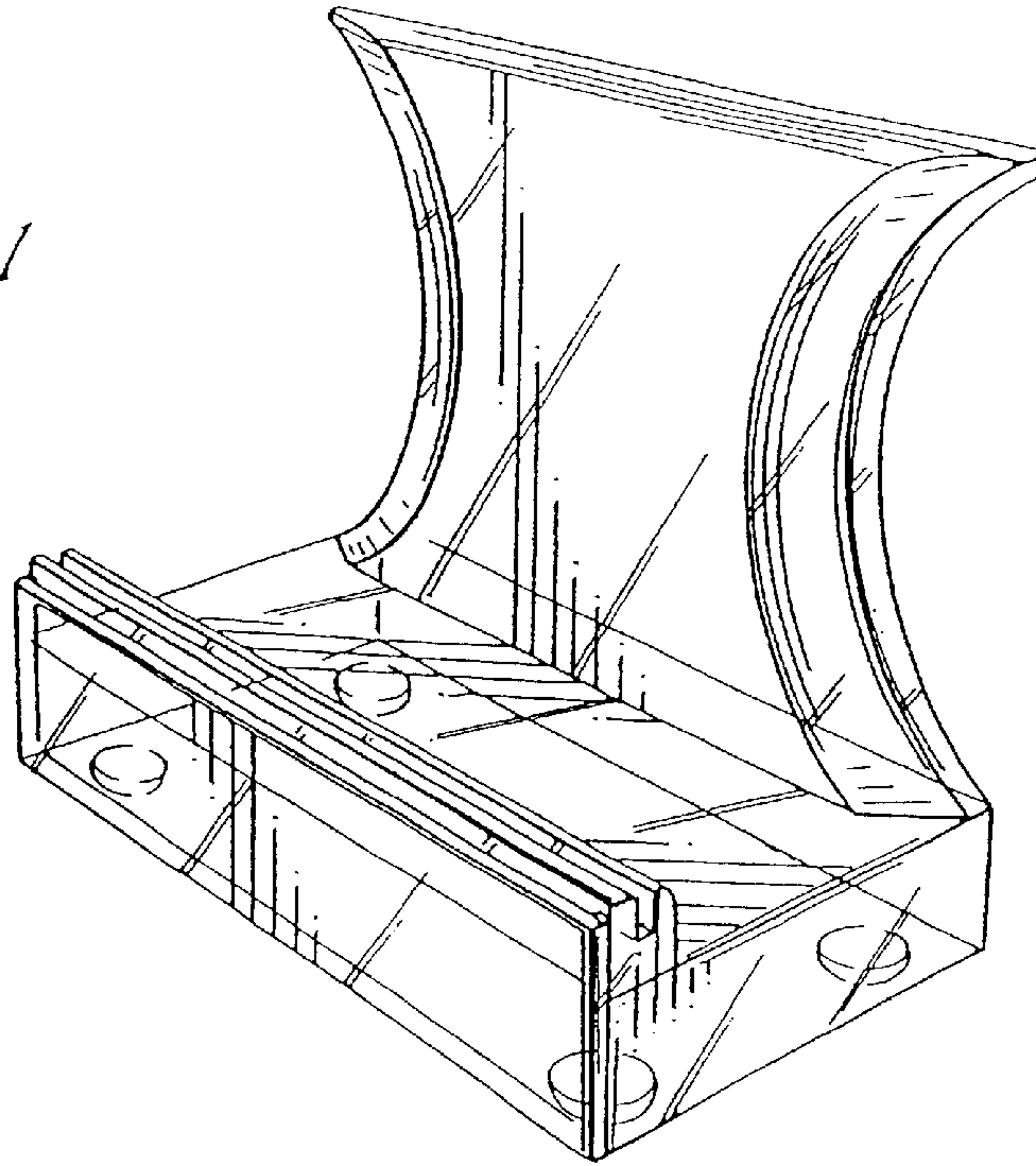


FIG. 22 is a bottom elevation view of the display of FIG. 19; FIG. 23 is a top elevation view of the display of FIG. 19; FIG. 24 is a rear elevation view of the display of FIG. 19; FIG. 25 is an additional embodiment of the display of the design of the first and third embodiments, the only difference being the addition of an ornamental message at the front surface of the display; and,

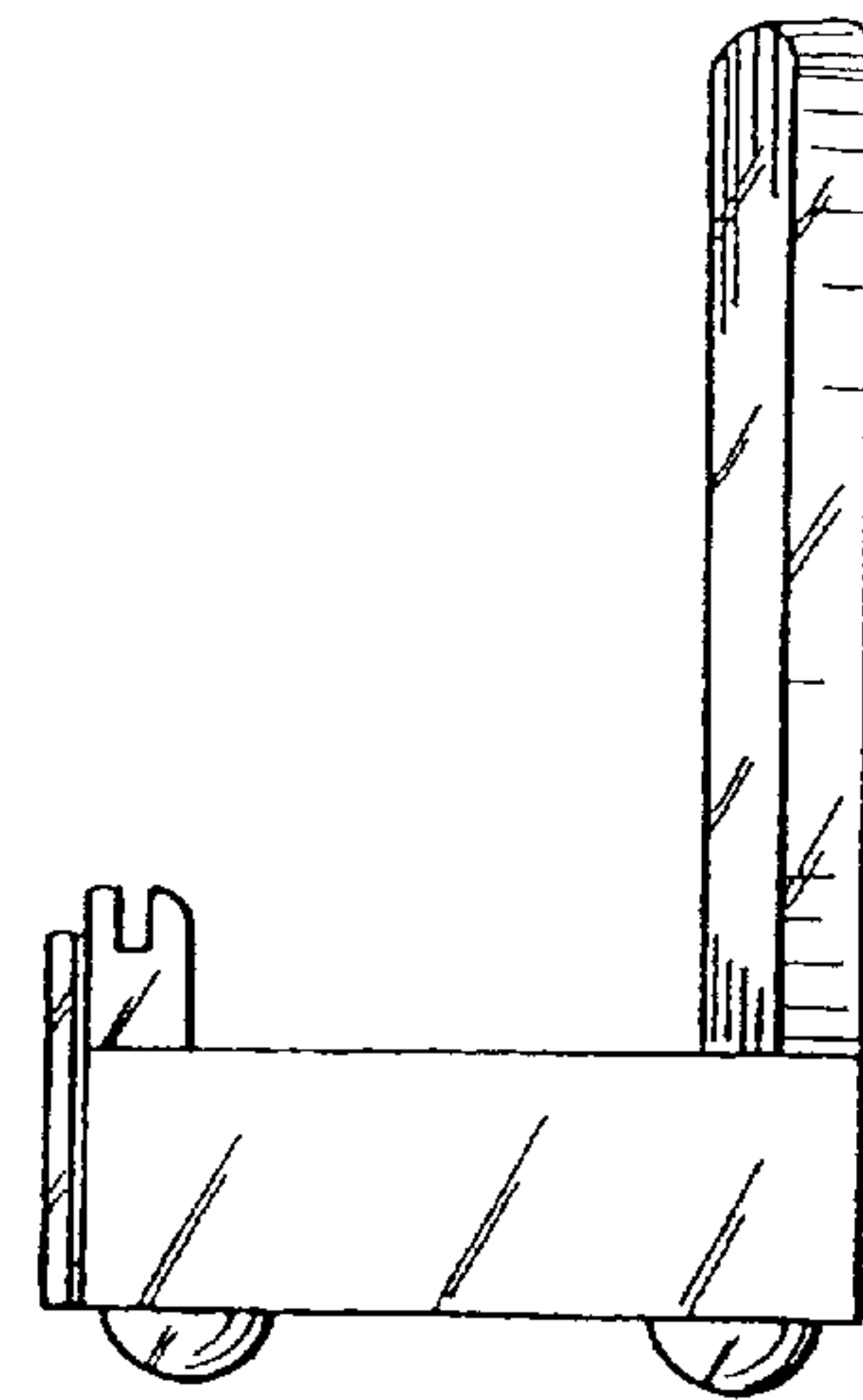
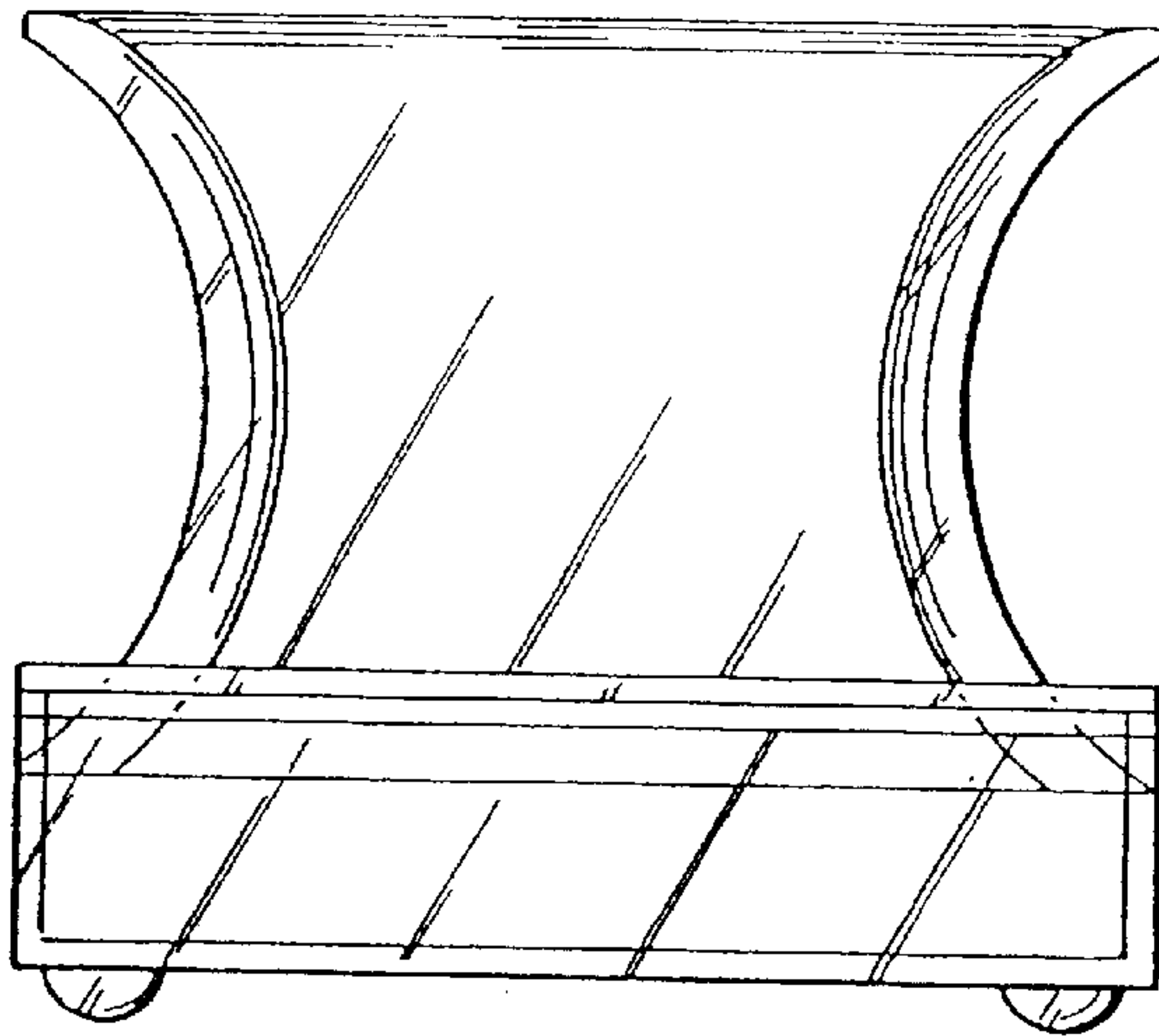
FIG. 26 is an additional embodiment of the display of the design of the first and third embodiment, the only difference being the addition of an ornamental message at the front surface of the display.

**1 Claim, 9 Drawing Sheets**

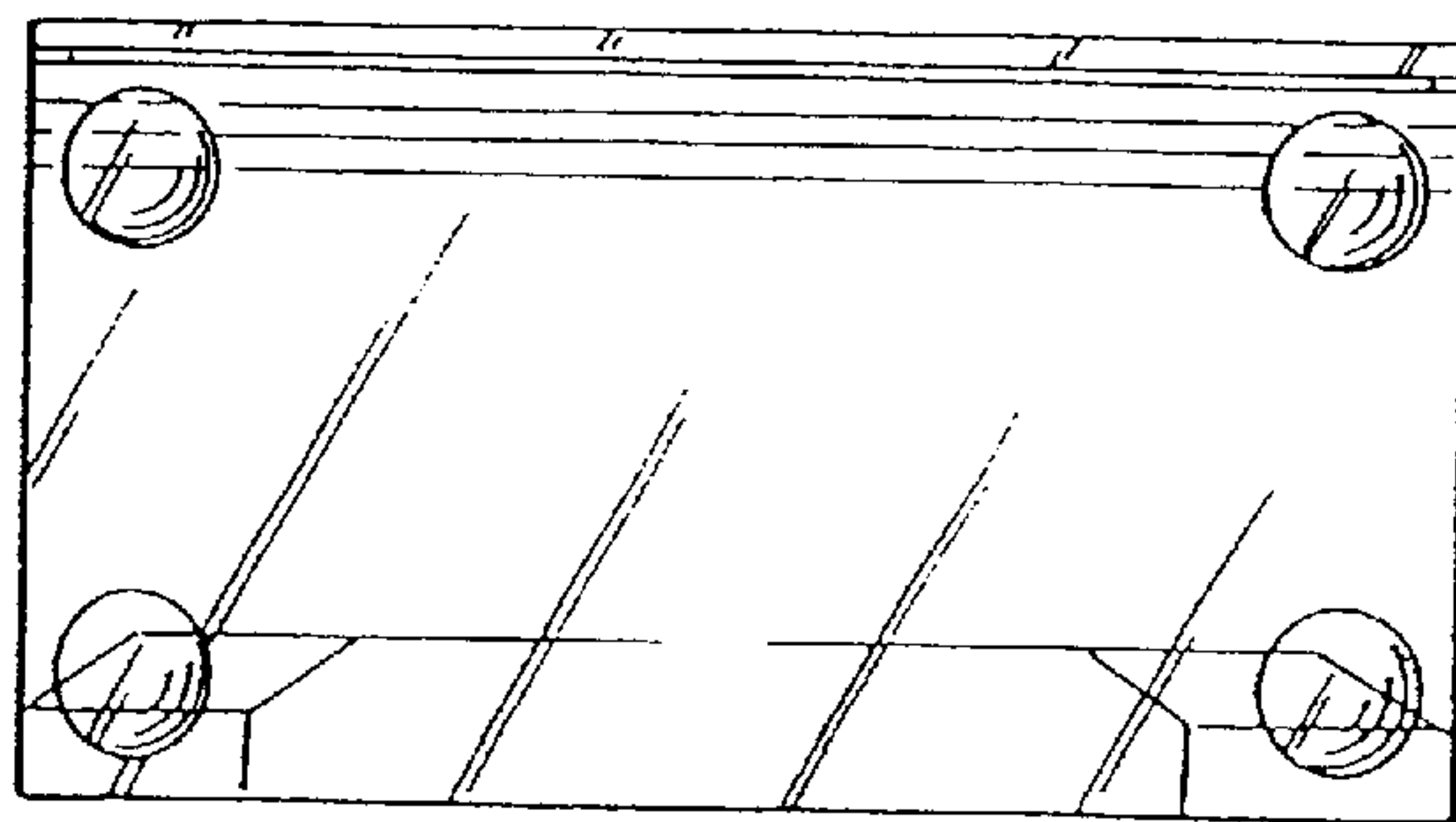
*Fig. 1*



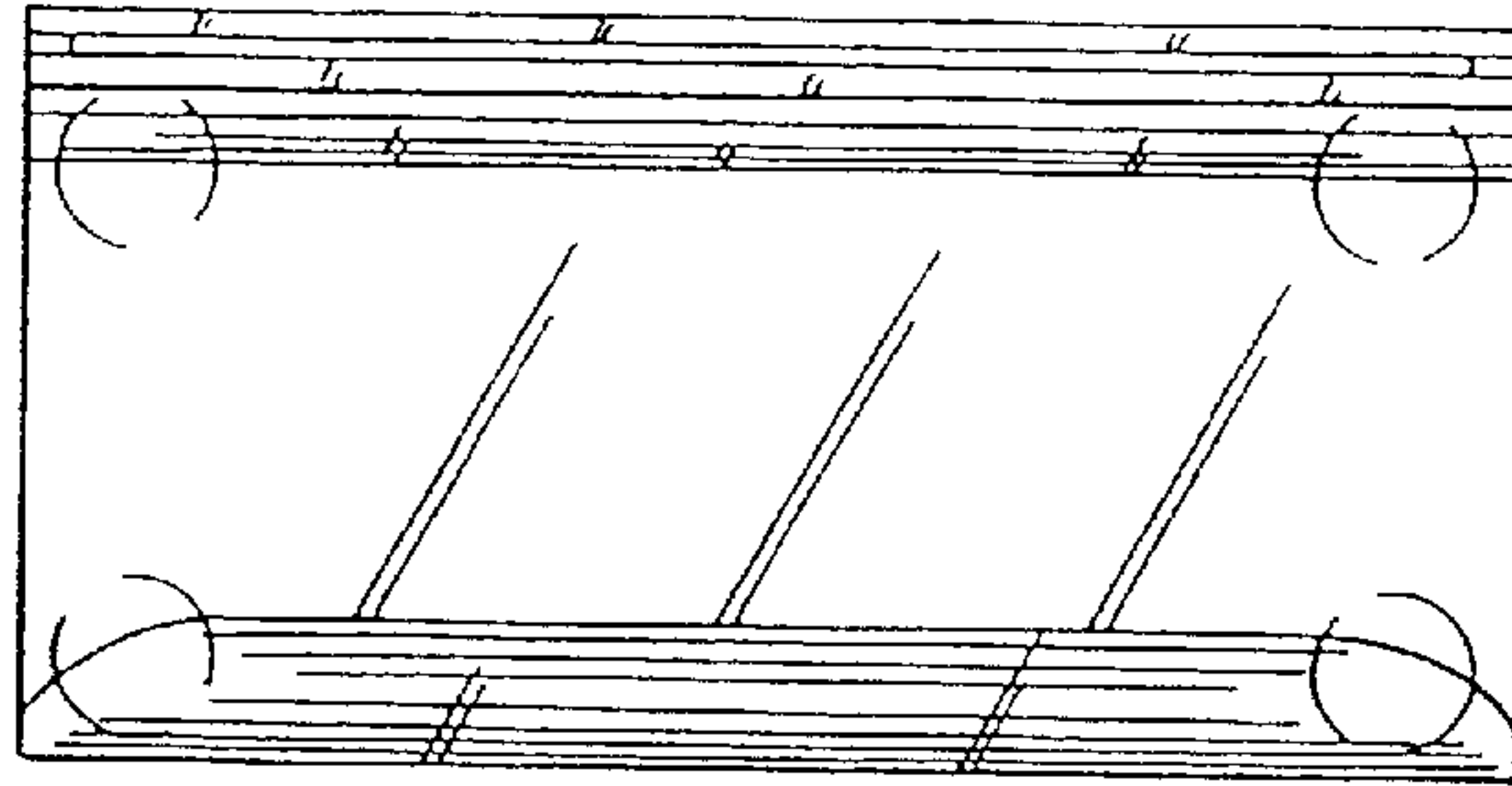
*Fig. 2*



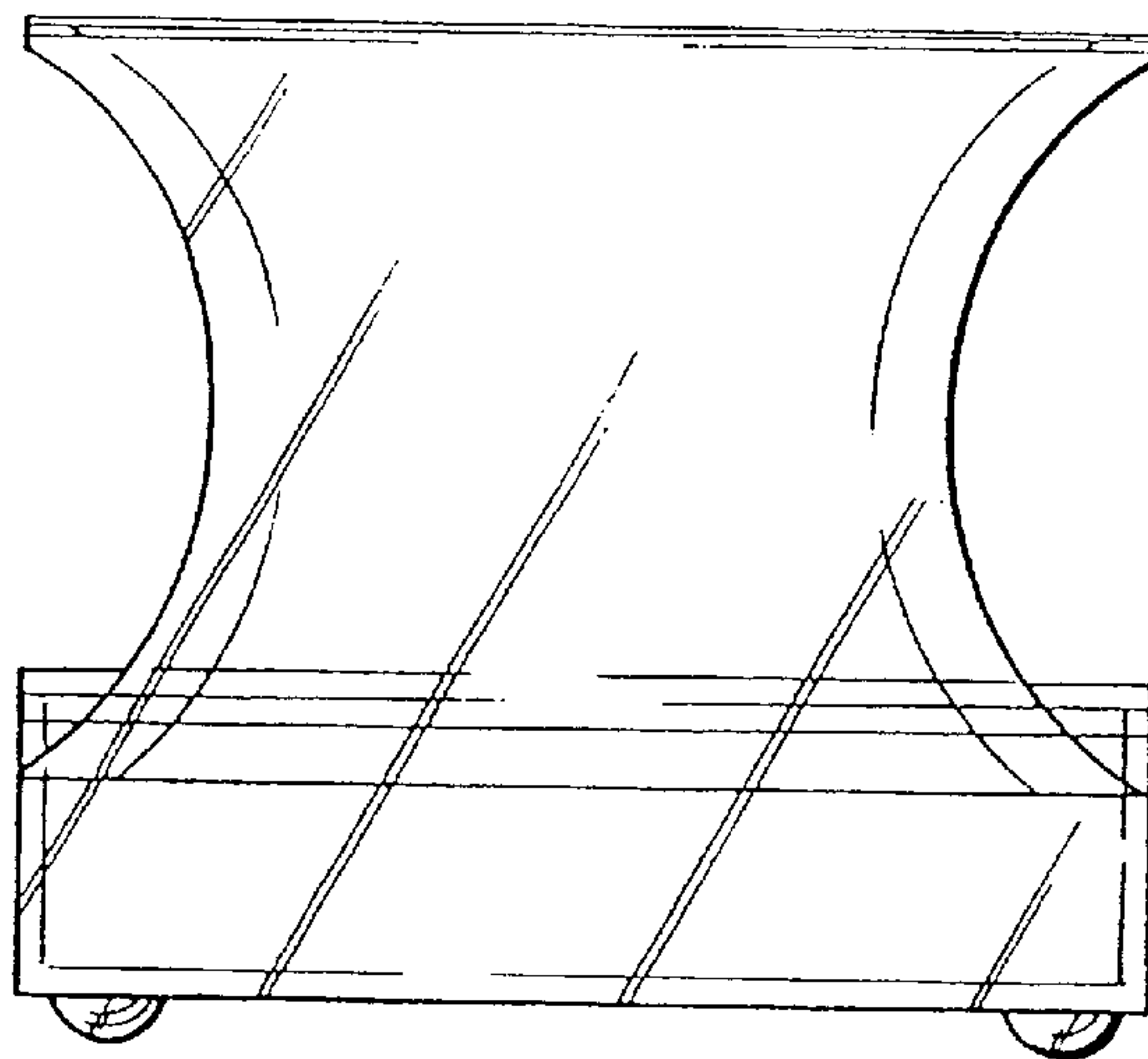
*Fig. 3*



*Fig. 4*



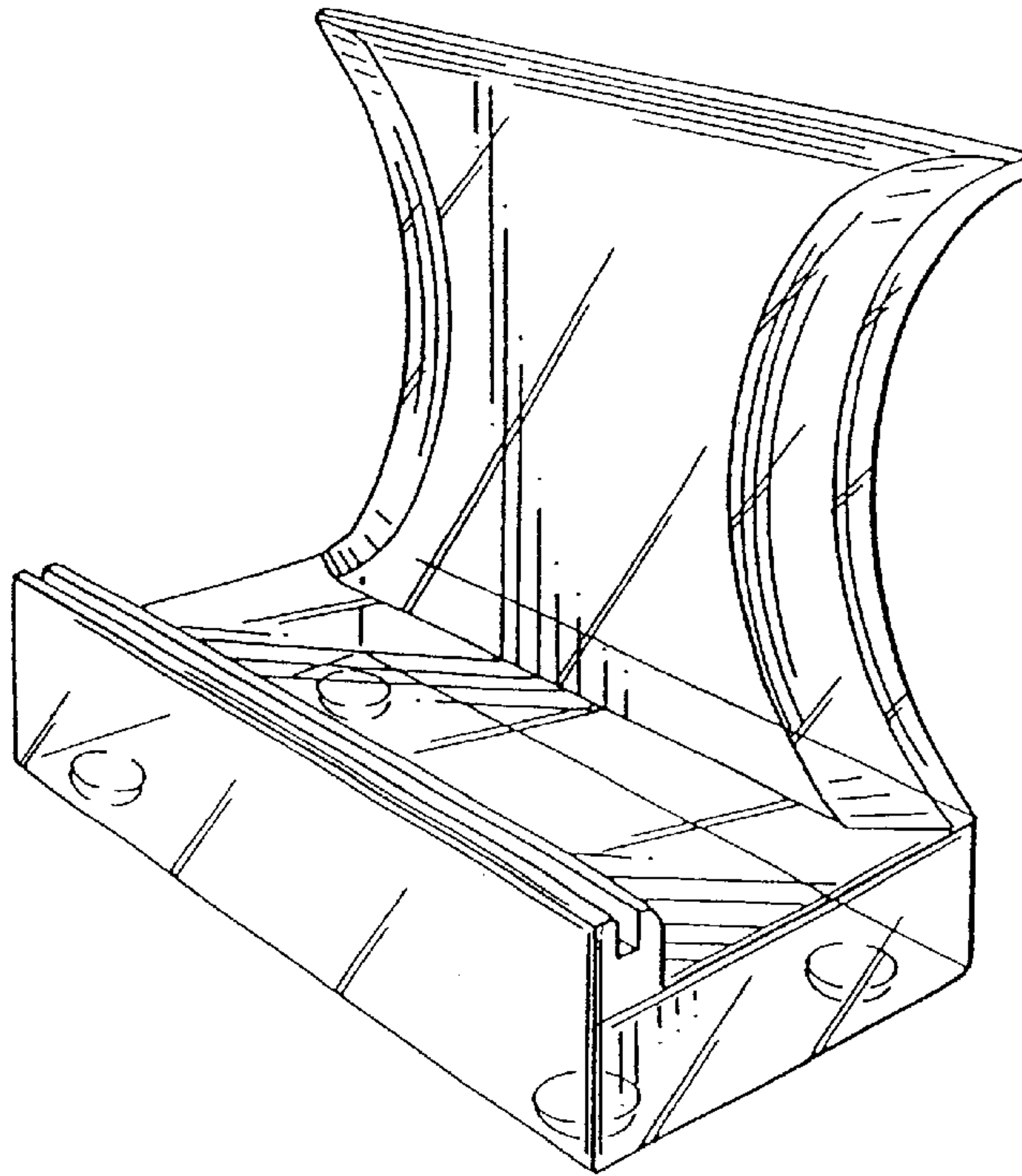
*Fig. 5*



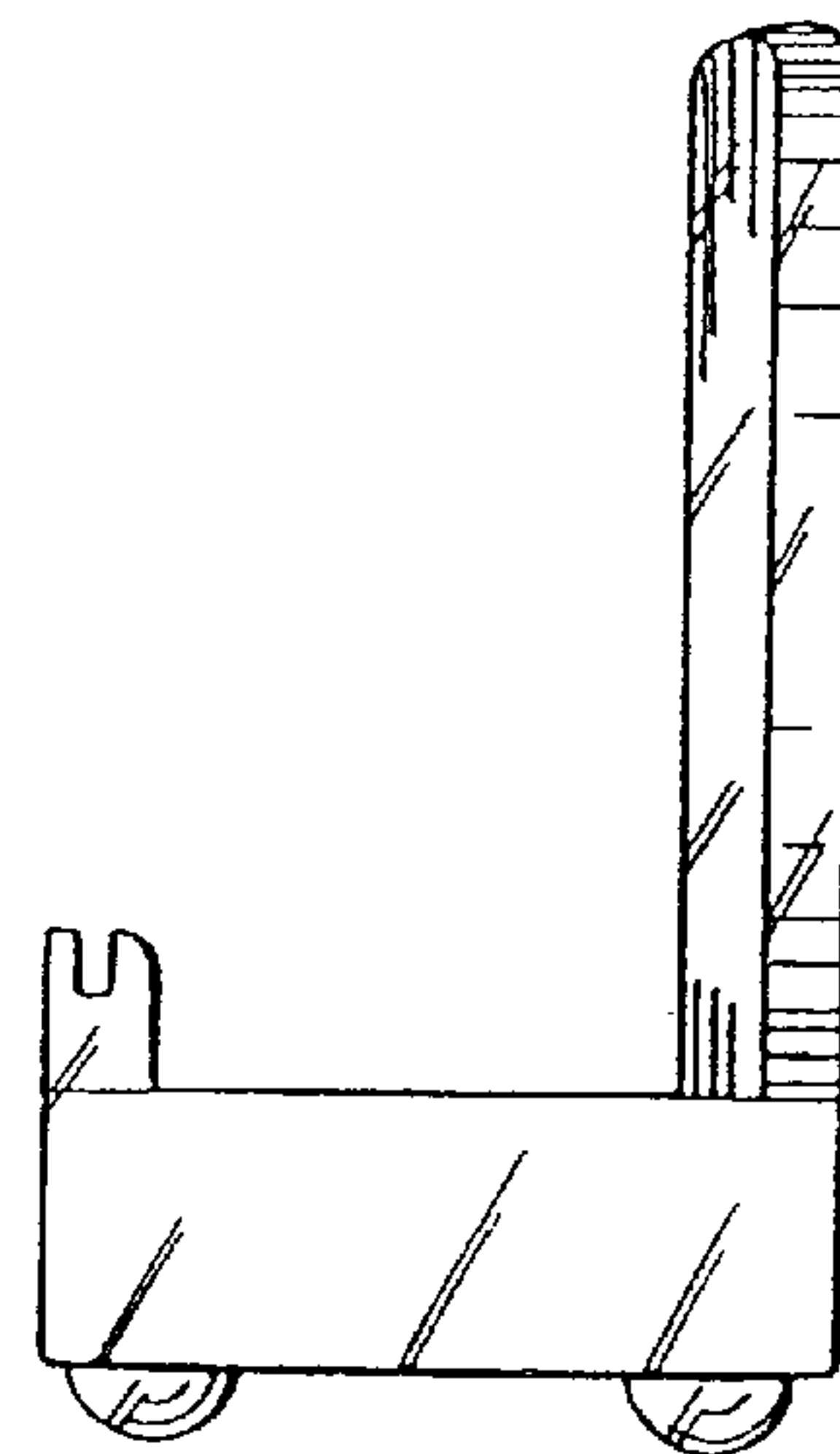
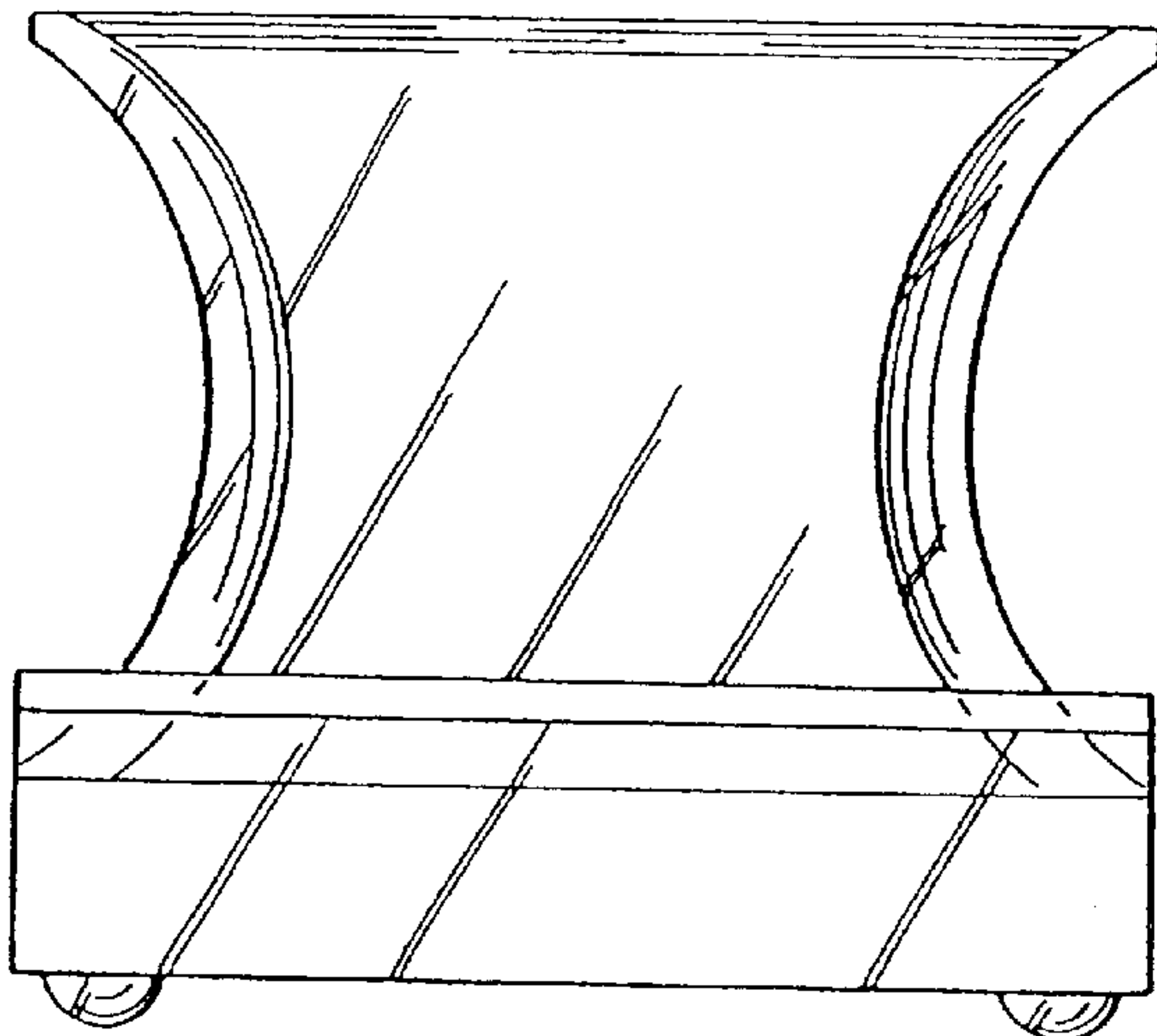
*Fig. 6*



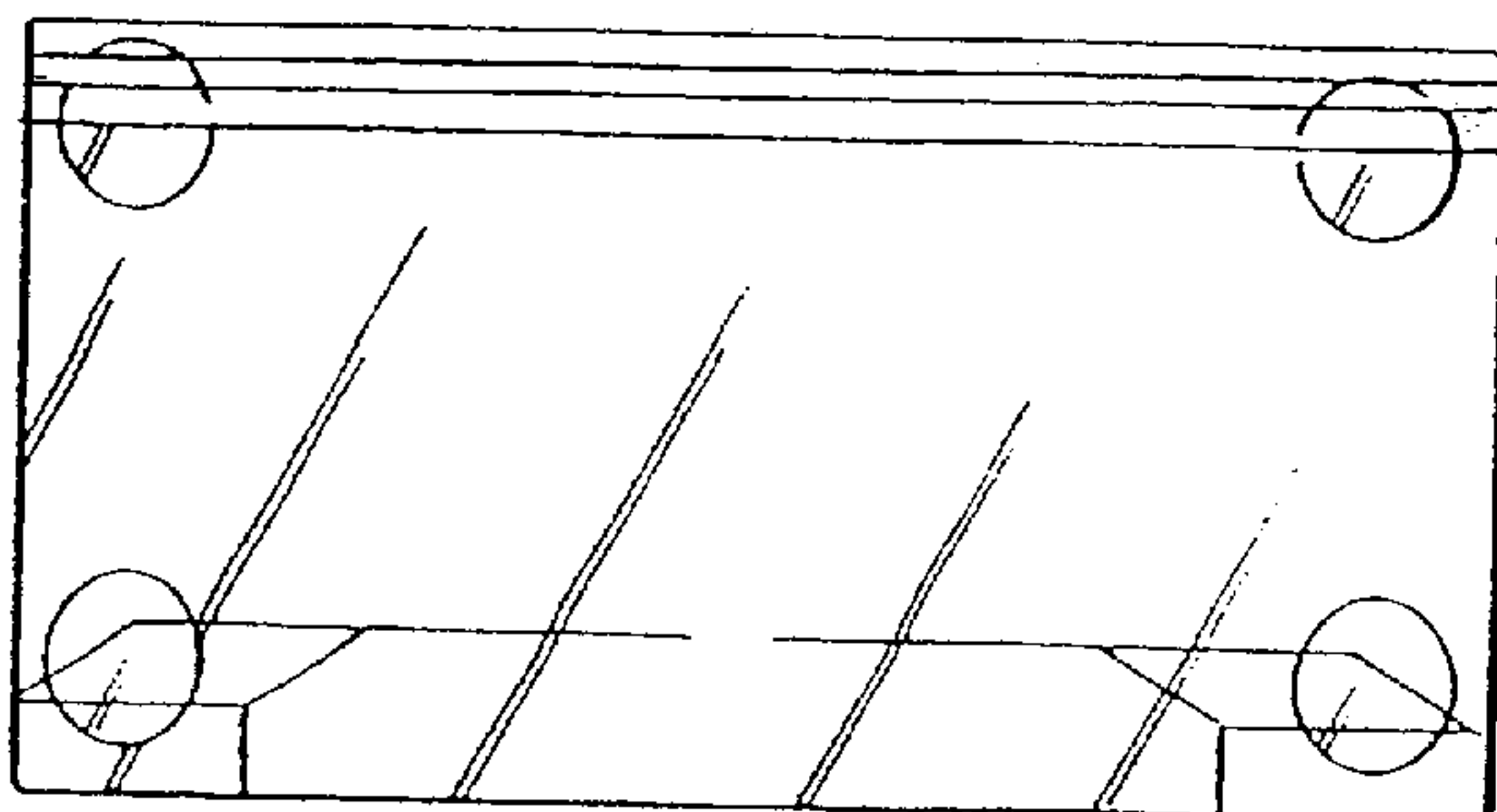
*Fig. 7*



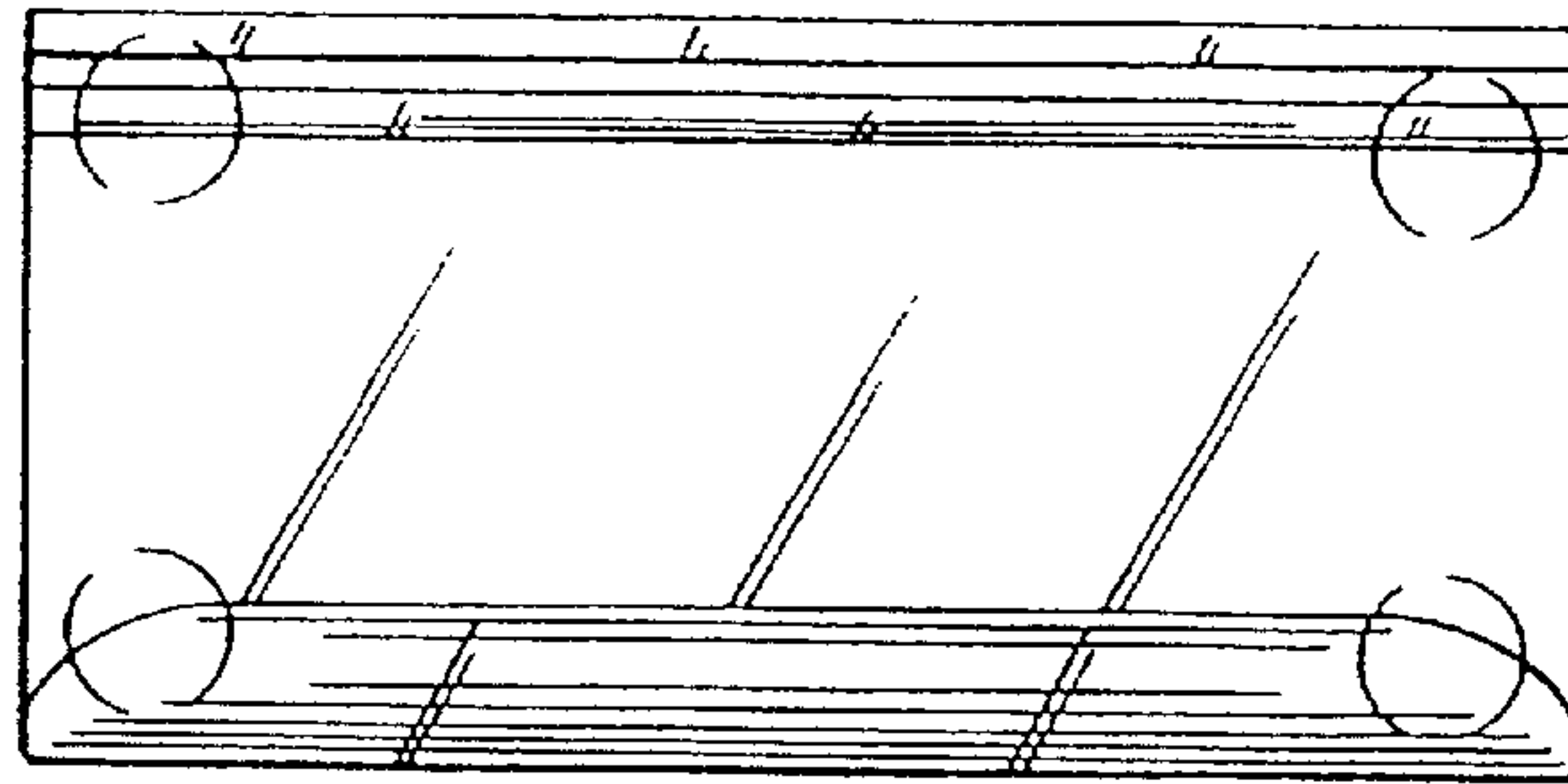
*Fig. 8*



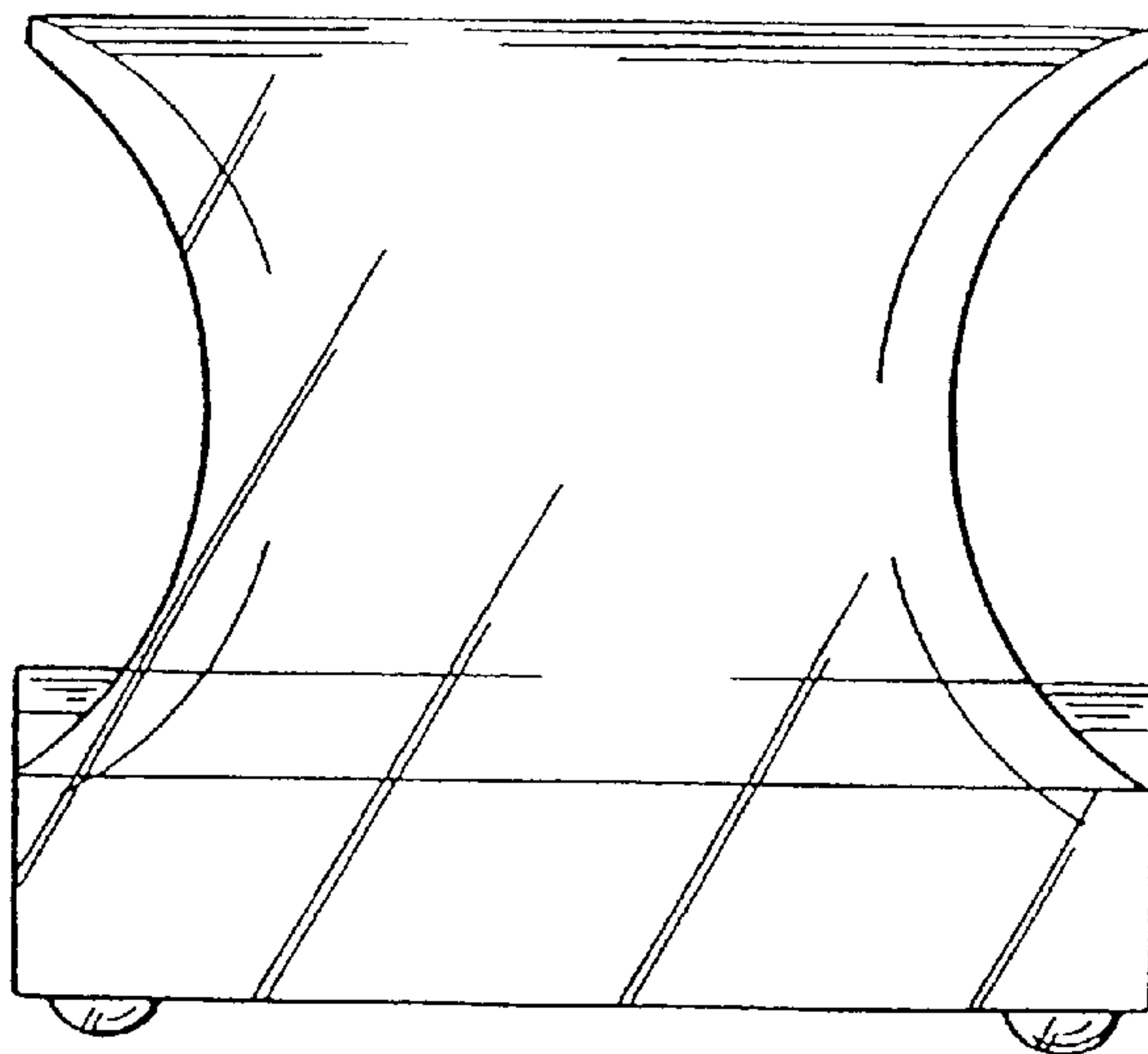
*Fig. 9*



*Fig. 10*

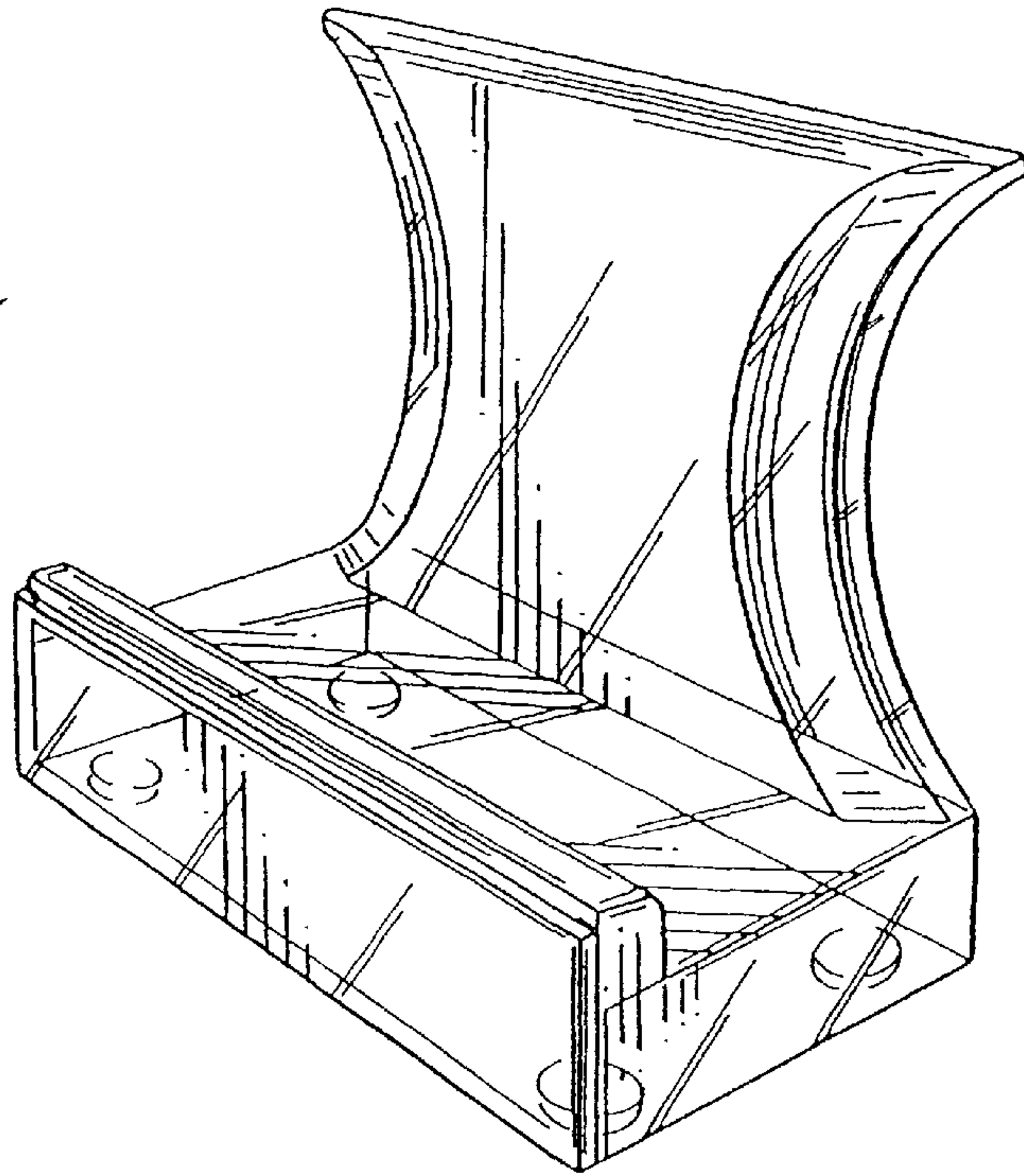


*Fig. 11*

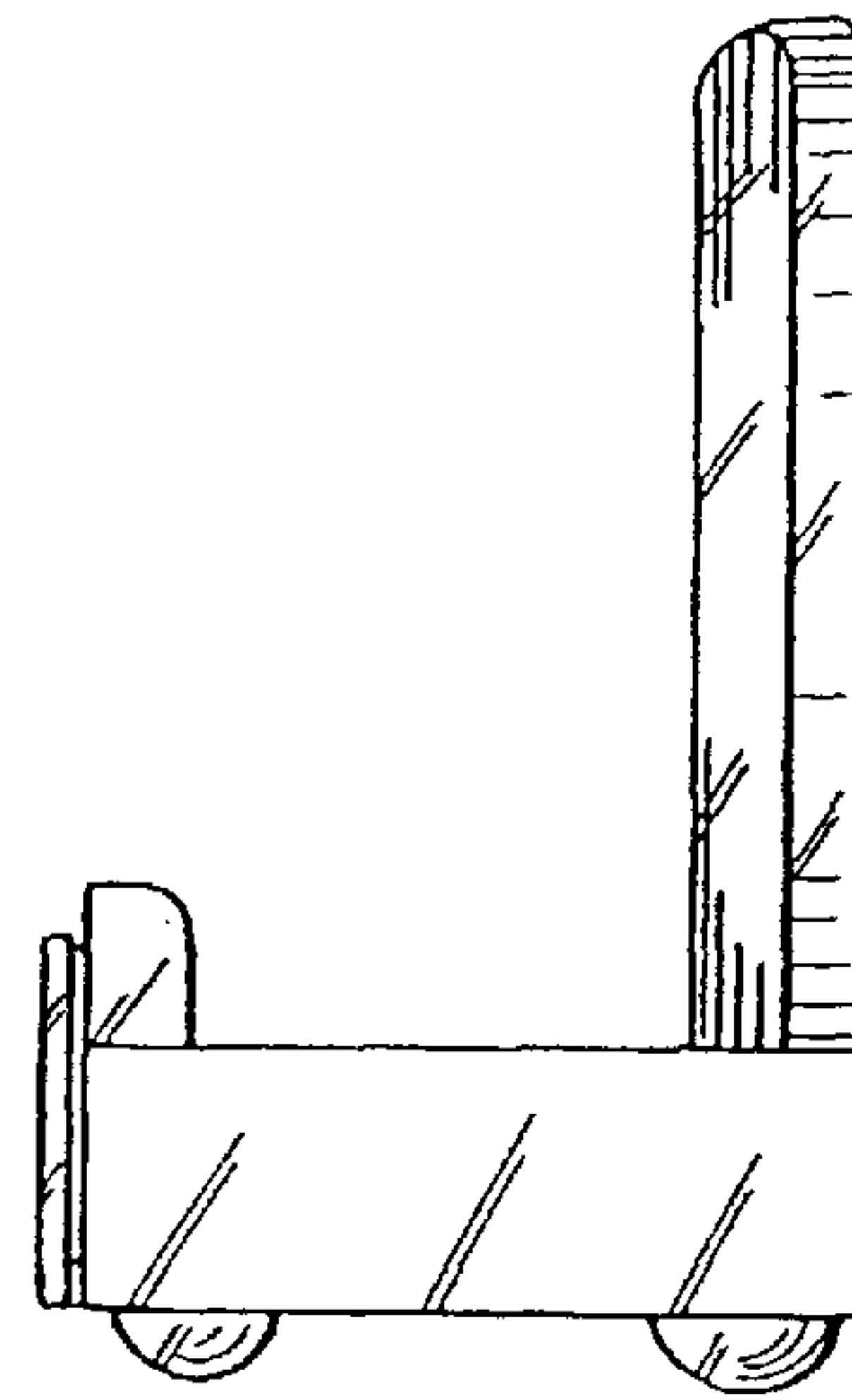
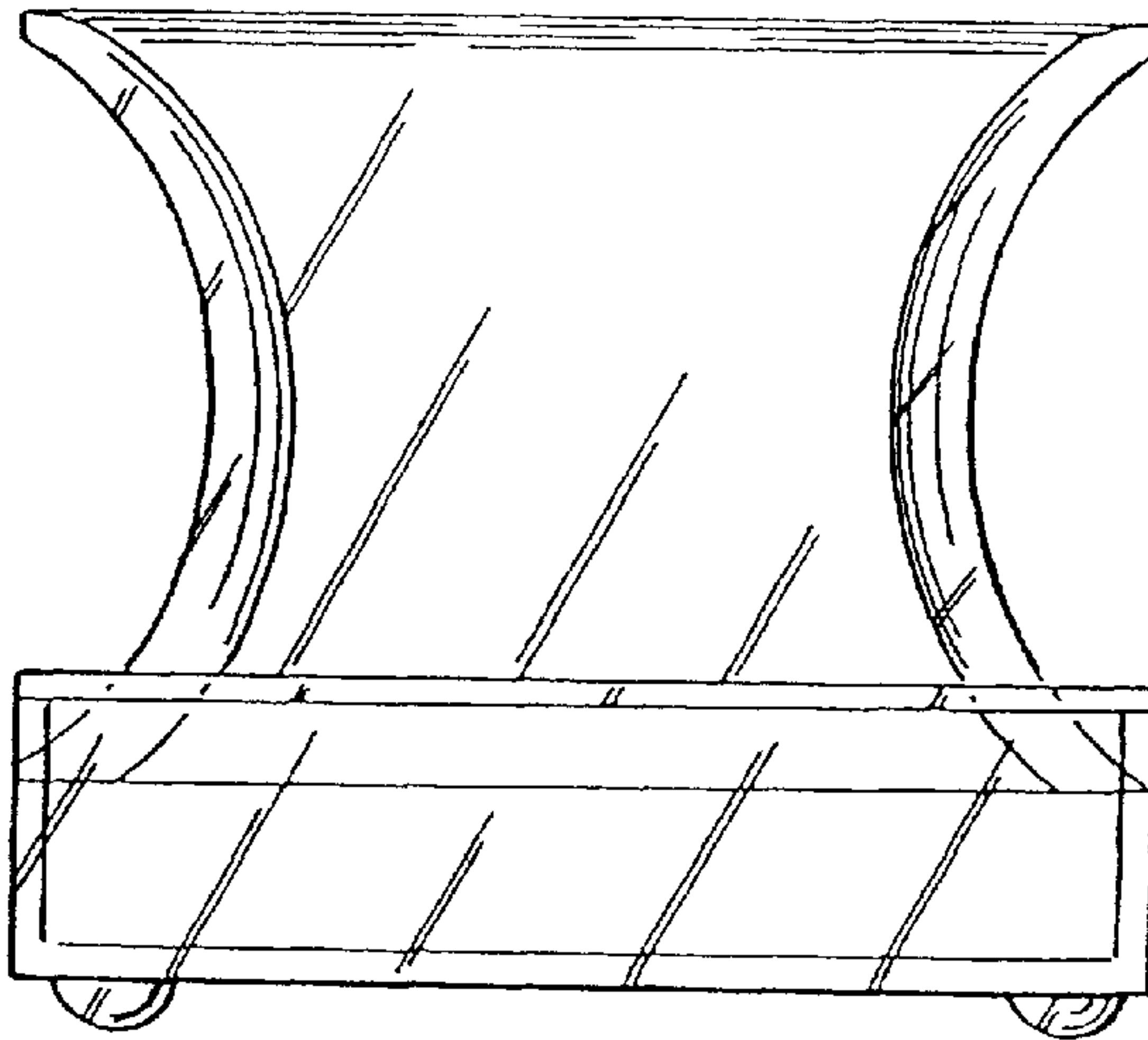


*Fig. 12*

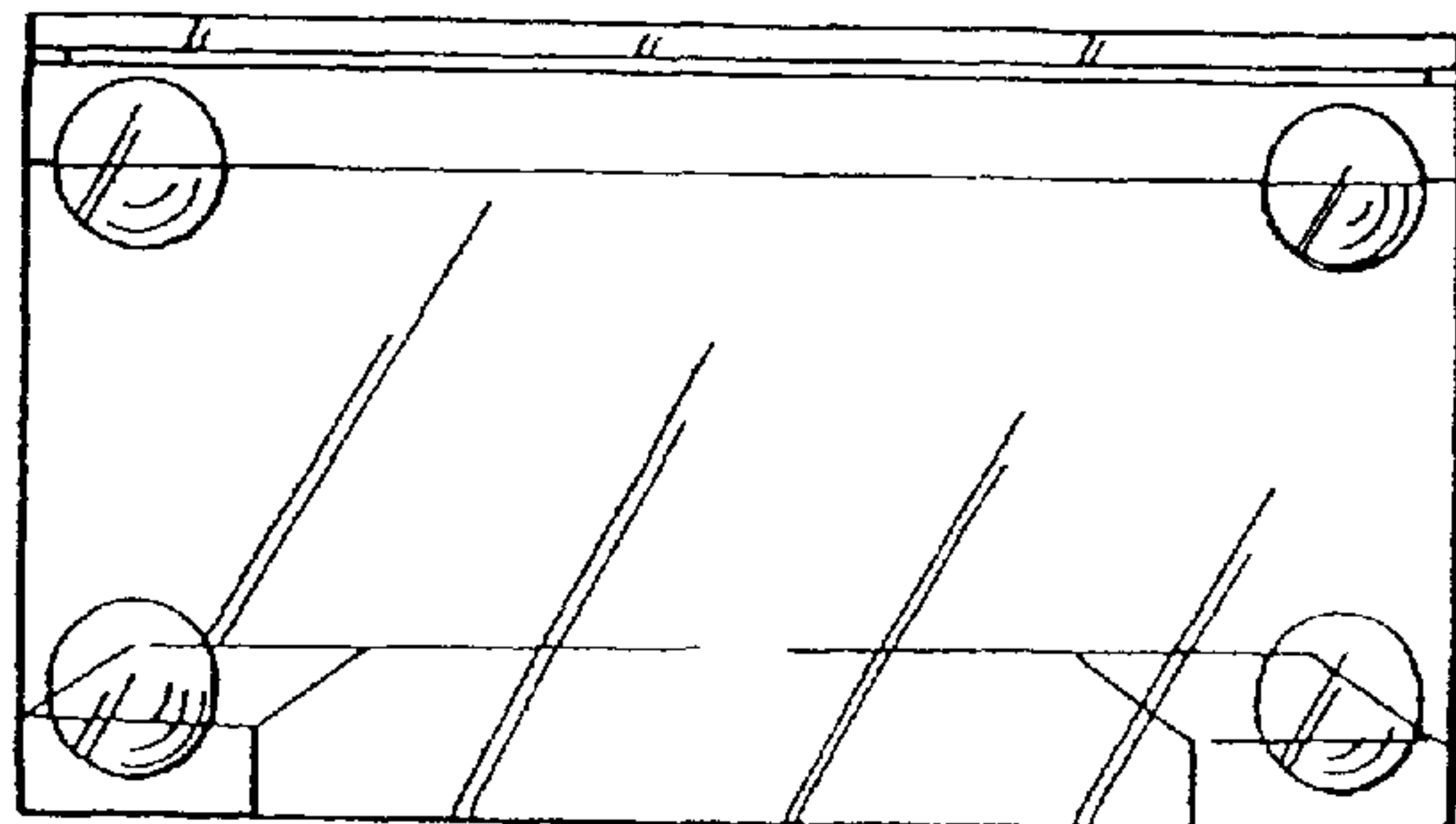
*Fig. 13*



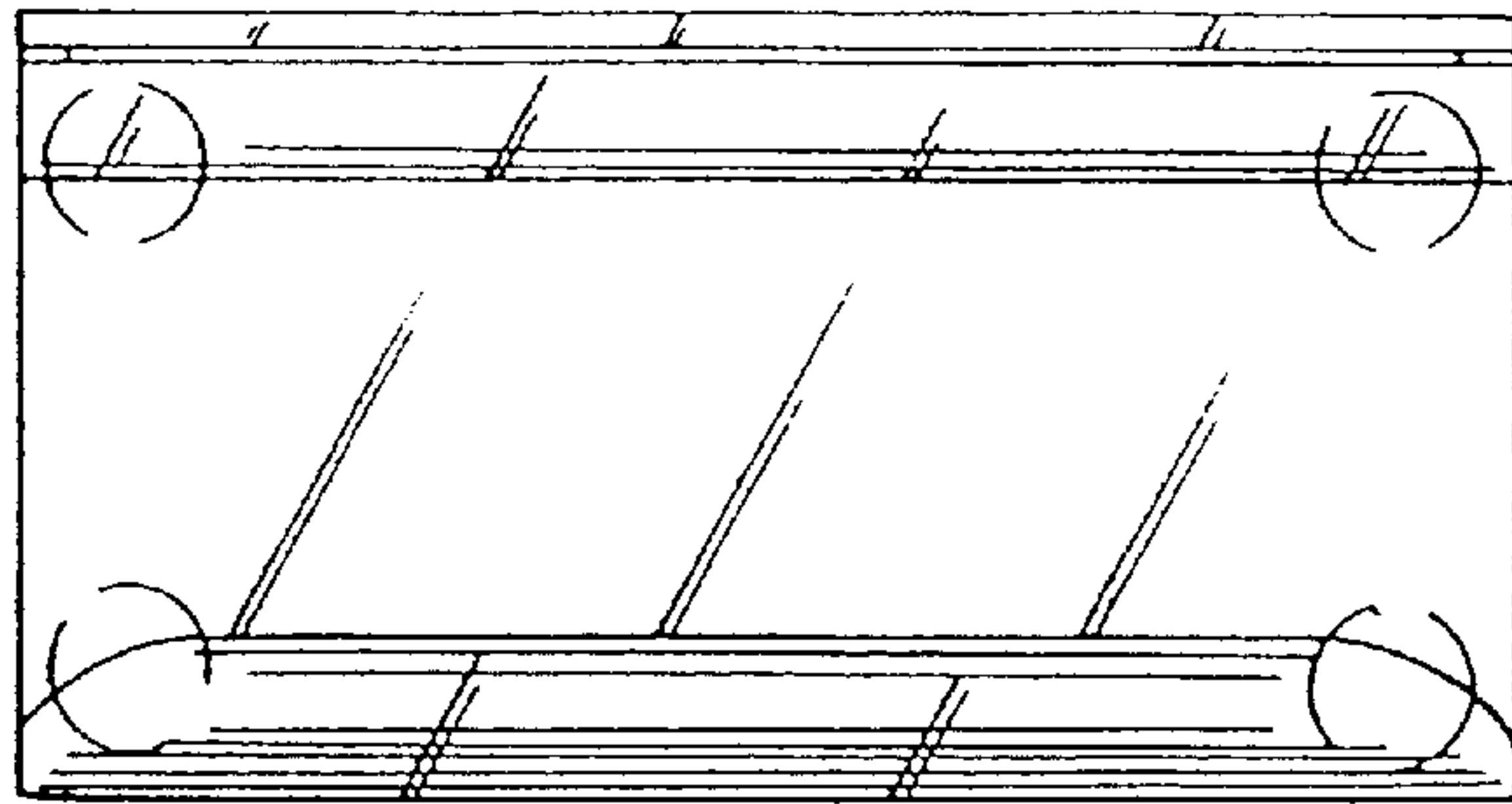
*Fig. 14*



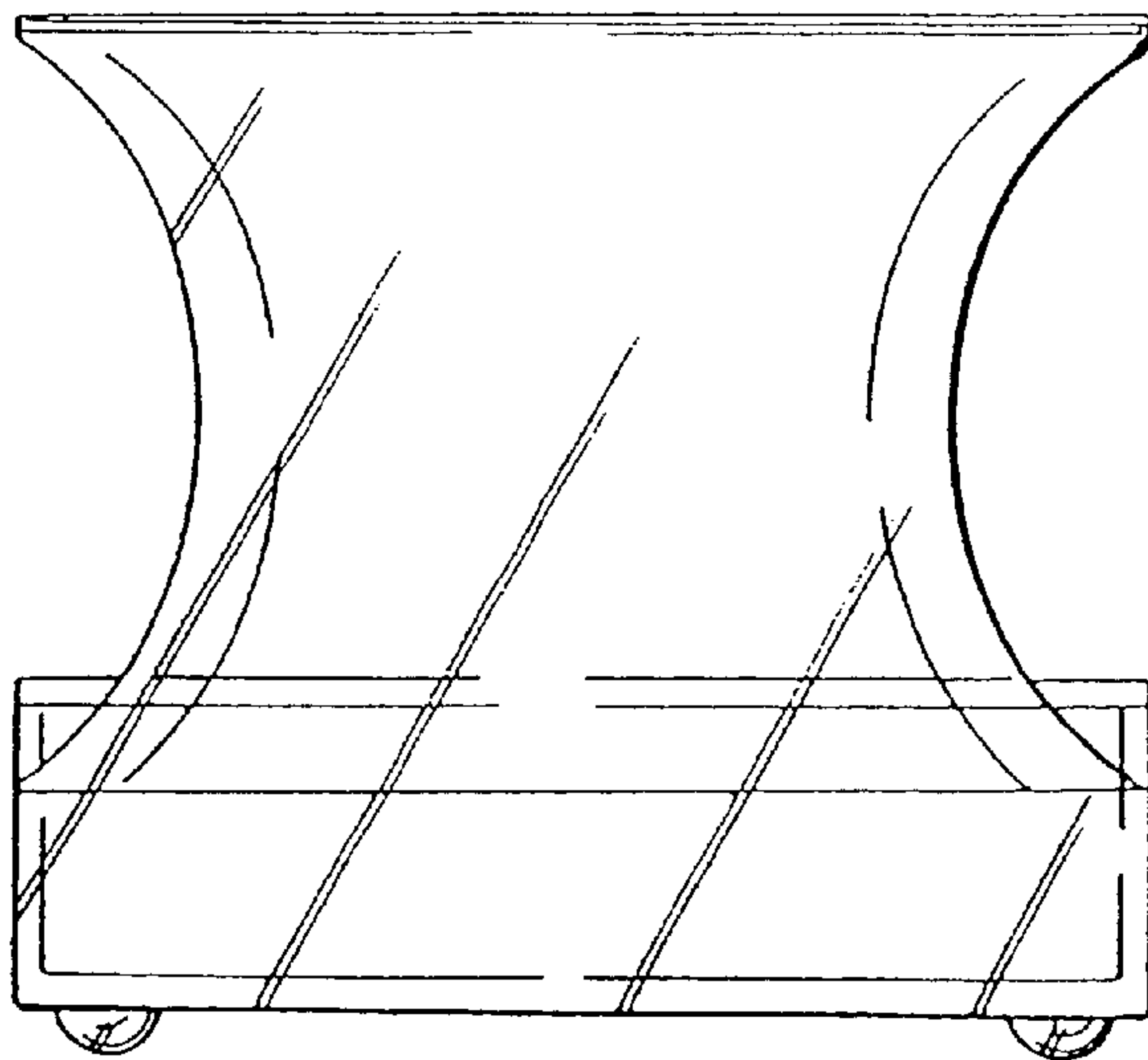
*Fig. 15*



*Fig. 16*



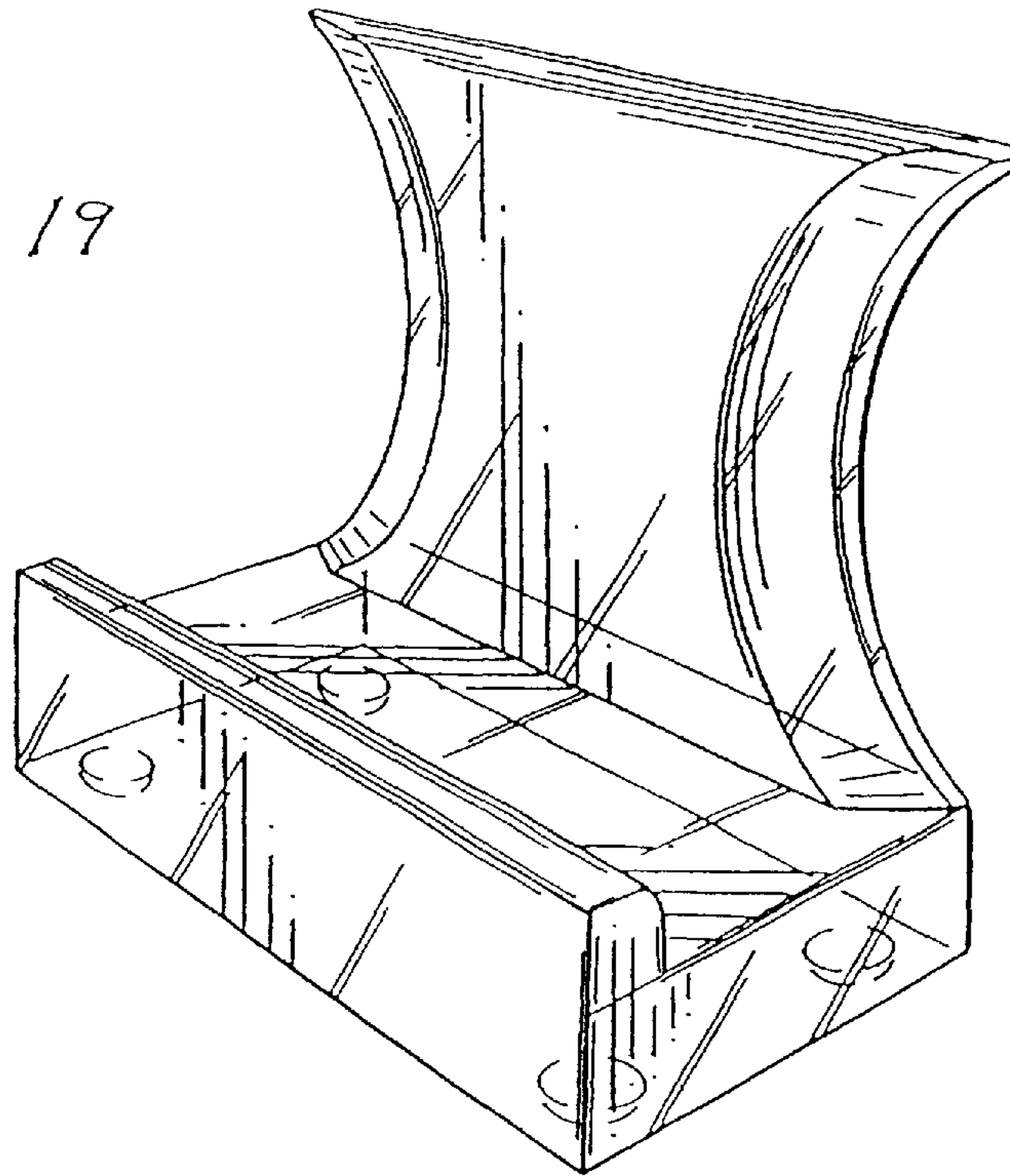
*Fig. 17*



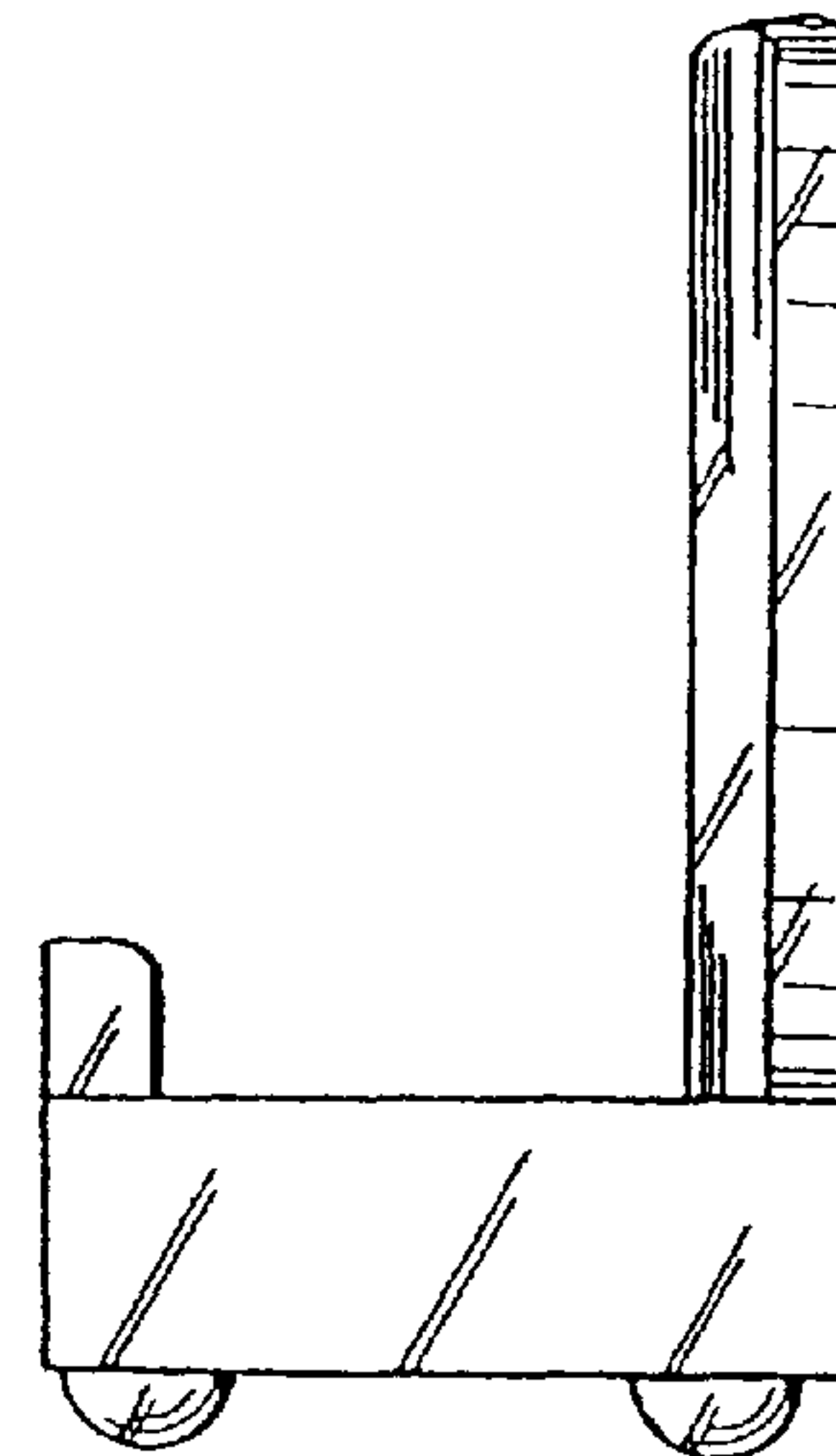
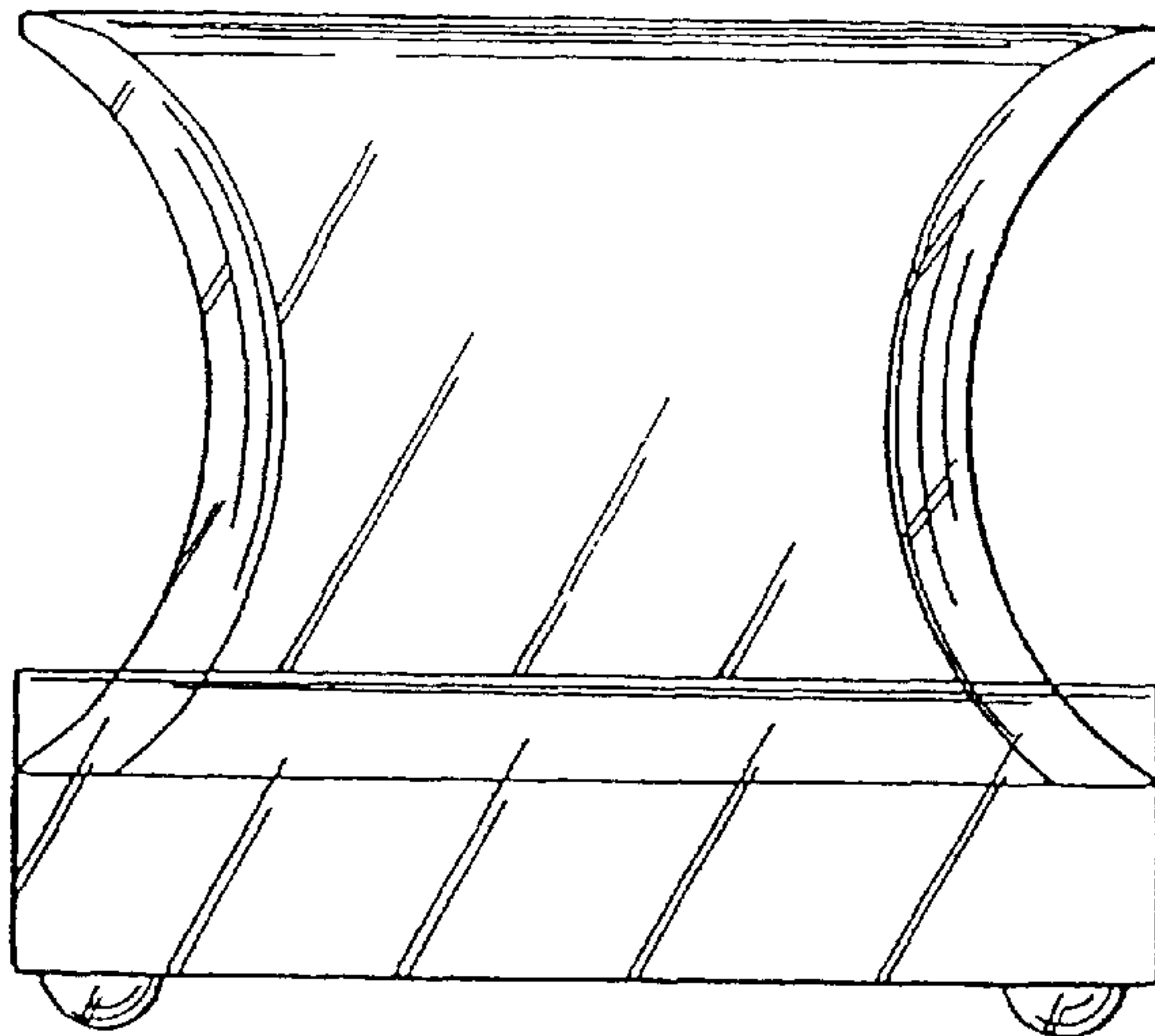
*Fig. 18*



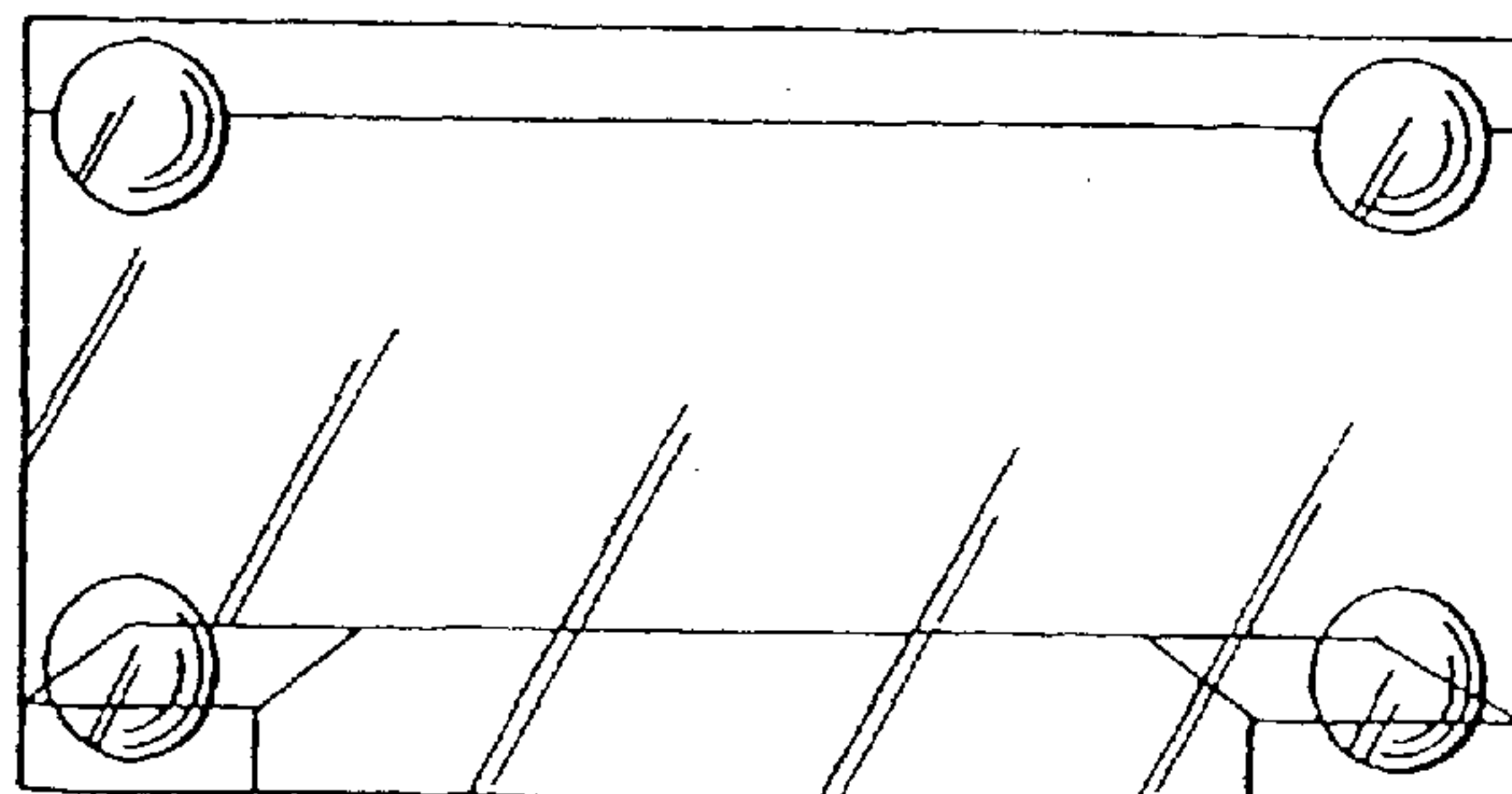
*Fig. 19*



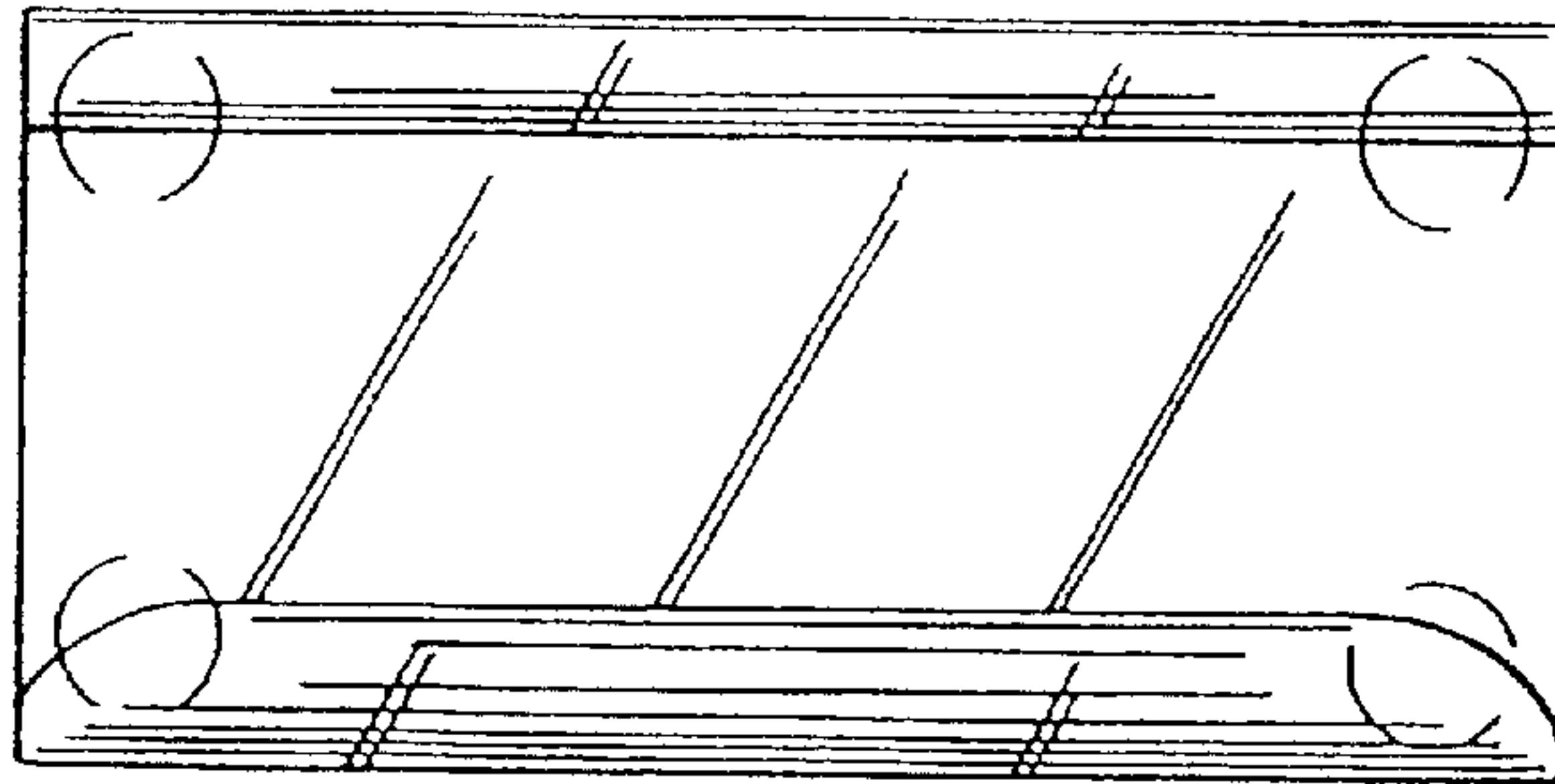
*Fig. 20*



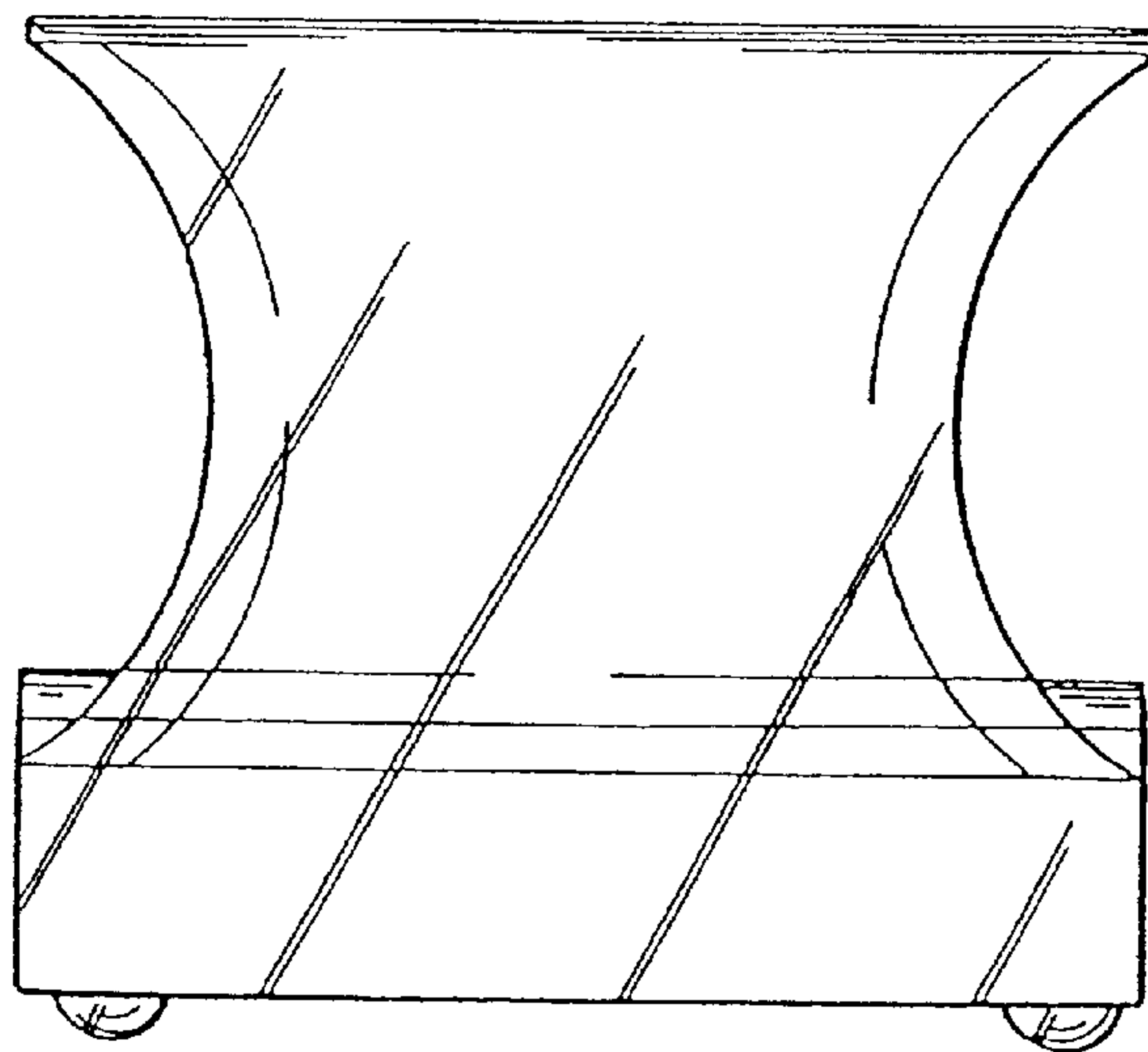
*Fig. 21*



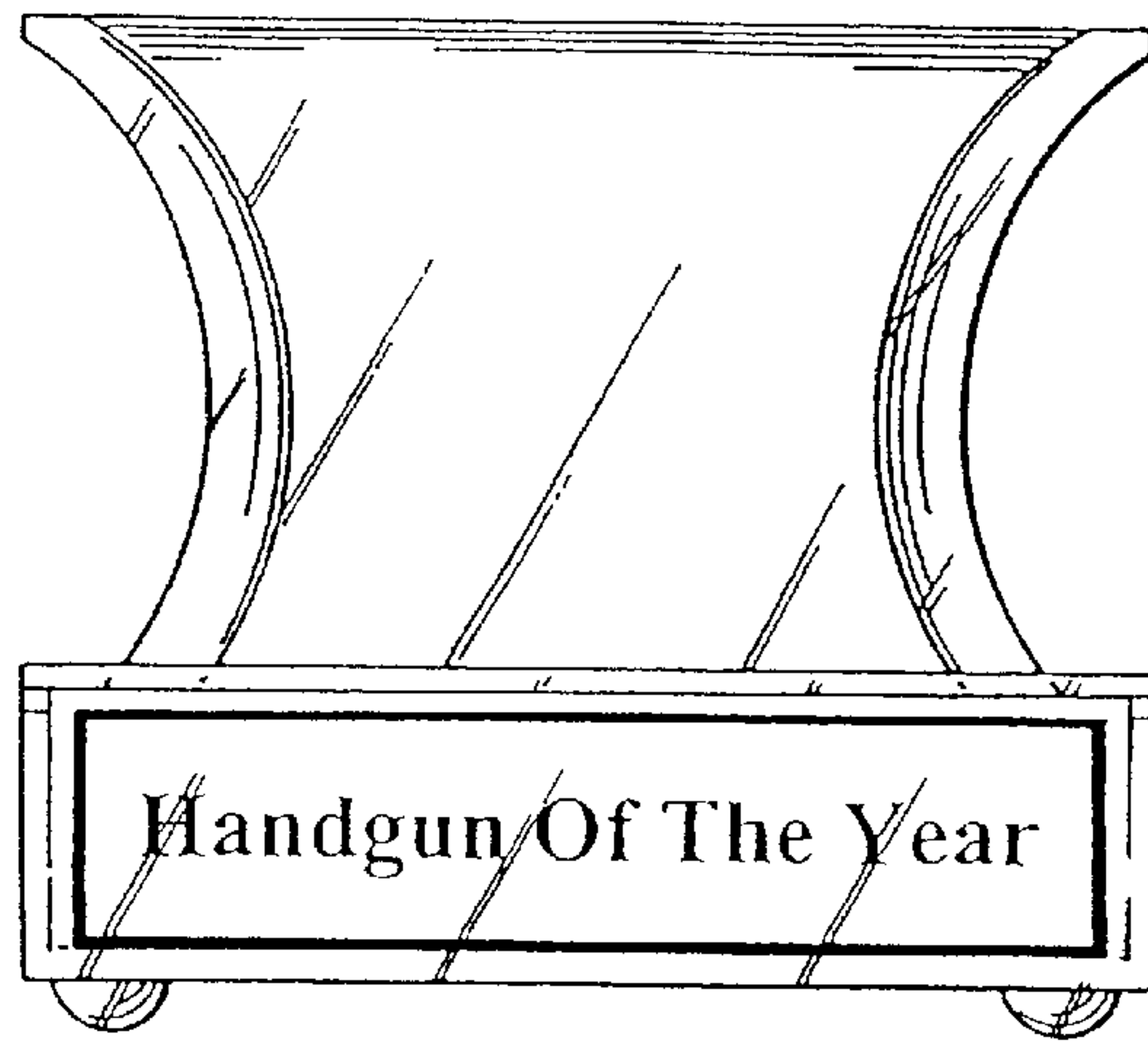
*Fig. 22*



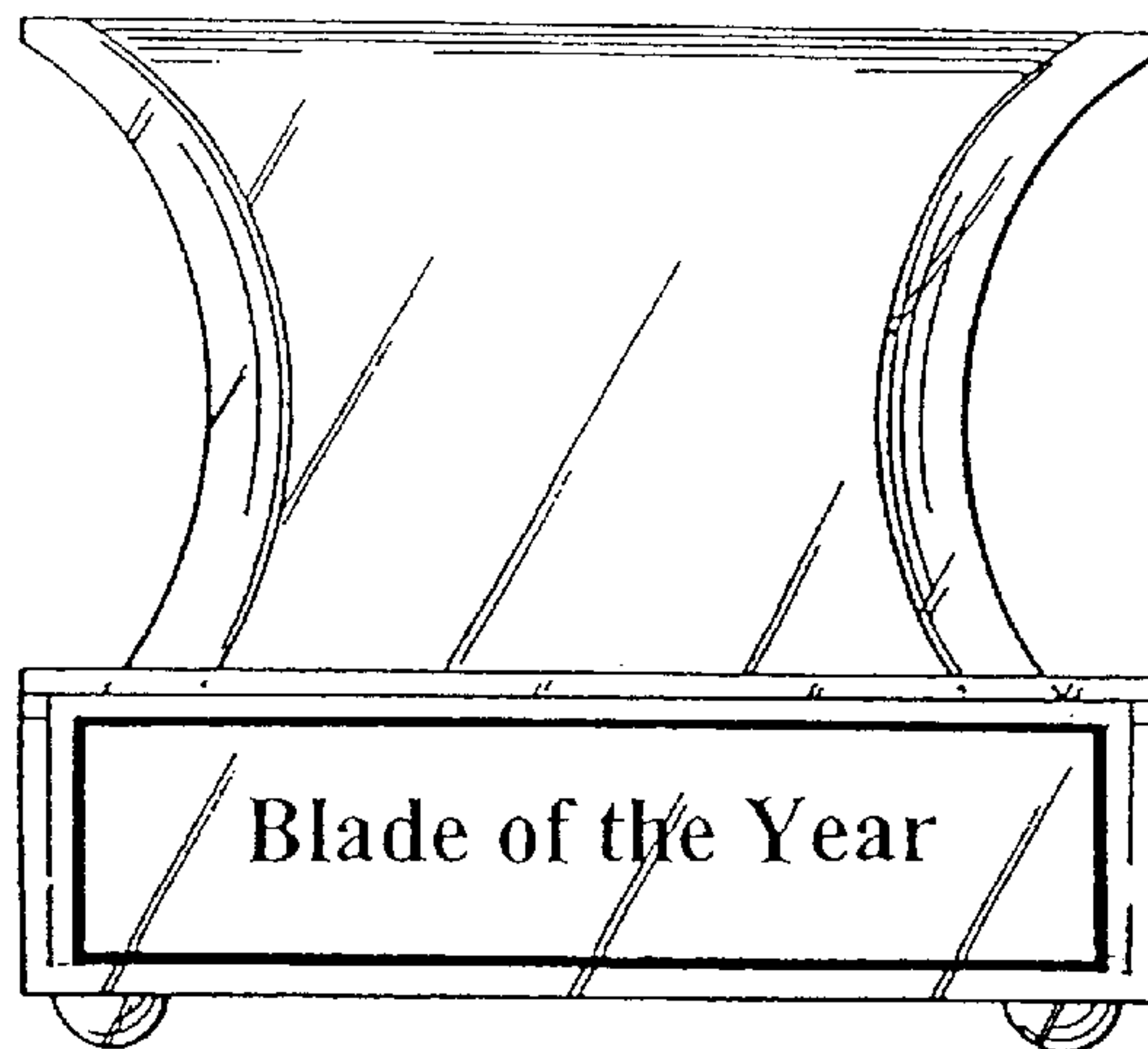
*Fig. 23*



*Fig. 24*



*Fig. 25*



*Fig. 26*