



US00D524573S

(12) **United States Design Patent** (10) **Patent No.:** **US D524,573 S**
Robinson et al. (45) **Date of Patent:** **** Jul. 11, 2006**

(54) **DISPLAY RACK**

(75) Inventors: **Guy C. Robinson**, Oak Park, IL (US);
William W. Emrich, Evanston, IL (US)

(73) Assignee: **Franklin Wire Works, Inc.**, Belvidere, IL (US)

(**) Term: **14 Years**

(21) Appl. No.: **29/217,404**

(22) Filed: **Nov. 16, 2004**

(51) **LOC (8) Cl.** **06-04**

(52) **U.S. Cl.** **D6/463**

(58) **Field of Classification Search** D6/458,
D6/459, 460-465; 211/90.03, 90.04, 112,
211/113, 181.1, 189, 198, 128, 13.1, 49.1,
211/52, 134, 153, 126.9

See application file for complete search history.

(56) **References Cited**

U.S. PATENT DOCUMENTS

315,022 A	4/1885	Gray	
575,590 A	1/1897	Brightman	
1,554,137 A	2/1925	Slifkin	
1,746,778 A	2/1930	Kilgore	
D143,125 S	4/1945	Brinkema	
D162,397 S	* 3/1951	Fink	D6/463
D162,990 S	* 4/1951	Roeder	D6/463
D180,617 S	* 7/1957	Patterson	D6/464
2,833,418 A	5/1958	Beebe et al.	
D186,254 S	9/1959	Tiriet	
D242,751 S	12/1976	Wells	
4,978,013 A	12/1990	Hogg	
D331,680 S	* 12/1992	Glassenberg	D6/566
D401,084 S	11/1998	Martin	
D402,821 S	* 12/1998	Kozak	D6/397
6,089,387 A	7/2000	Varfolomeeva	
D433,846 S	11/2000	Chang	
6,170,674 B1	1/2001	Caterinacci	
D446,968 S	* 8/2001	Spencer	D6/462
6,431,375 B1	* 8/2002	Spencer	211/106

* cited by examiner

Primary Examiner—Janice E. Seeger

Assistant Examiner—Sydney R. Buffalow

(74) *Attorney, Agent, or Firm*—Reinhart Boerner Van Deuren s.c.

(57) **CLAIM**

The ornamental design for a display rack, as shown and described.

DESCRIPTION

FIG. 1 is an isometric view of a first embodiment of the display rack of the present invention shown from the upper left;

FIG. 2 is a left side elevational view of the display rack illustrated in FIG. 1, the right side being a mirror image thereof;

FIG. 3 is a front elevational view of the display rack illustrated in FIGS. 1 and 2;

FIG. 4 is a rear elevational view of the display rack illustrated in FIGS. 1 through 3;

FIG. 5 is top plan view of the display rack illustrated in FIGS. 1 through 4;

FIG. 6 is a bottom plan view of the display rack illustrated in FIGS. 1 through 5;

FIG. 7 is an isometric view of a second embodiment of the display rack of the present invention shown from the upper left;

FIG. 8 is a left side elevational view of the display rack illustrated in FIG. 7, the right side being a mirror image thereof;

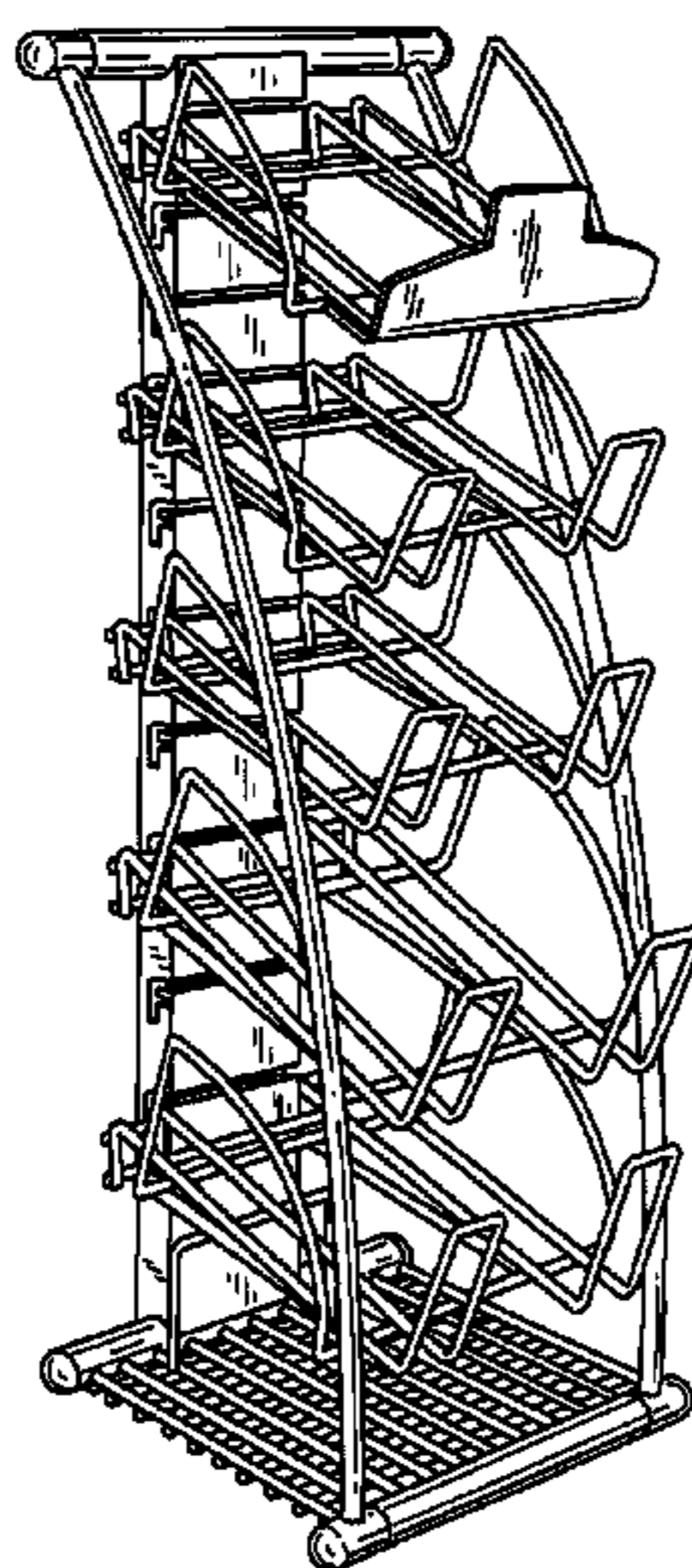
FIG. 9 is a front elevational view of the display rack illustrated in FIGS. 7 and 8;

FIG. 10 is a rear elevational view of the display rack illustrated in FIGS. 7 through 9;

FIG. 11 is top plan view of the display rack illustrated in FIGS. 7 and 10; and,

FIG. 12 is a bottom plan view of the display rack illustrated in FIGS. 7 through 11.

1 Claim, 4 Drawing Sheets



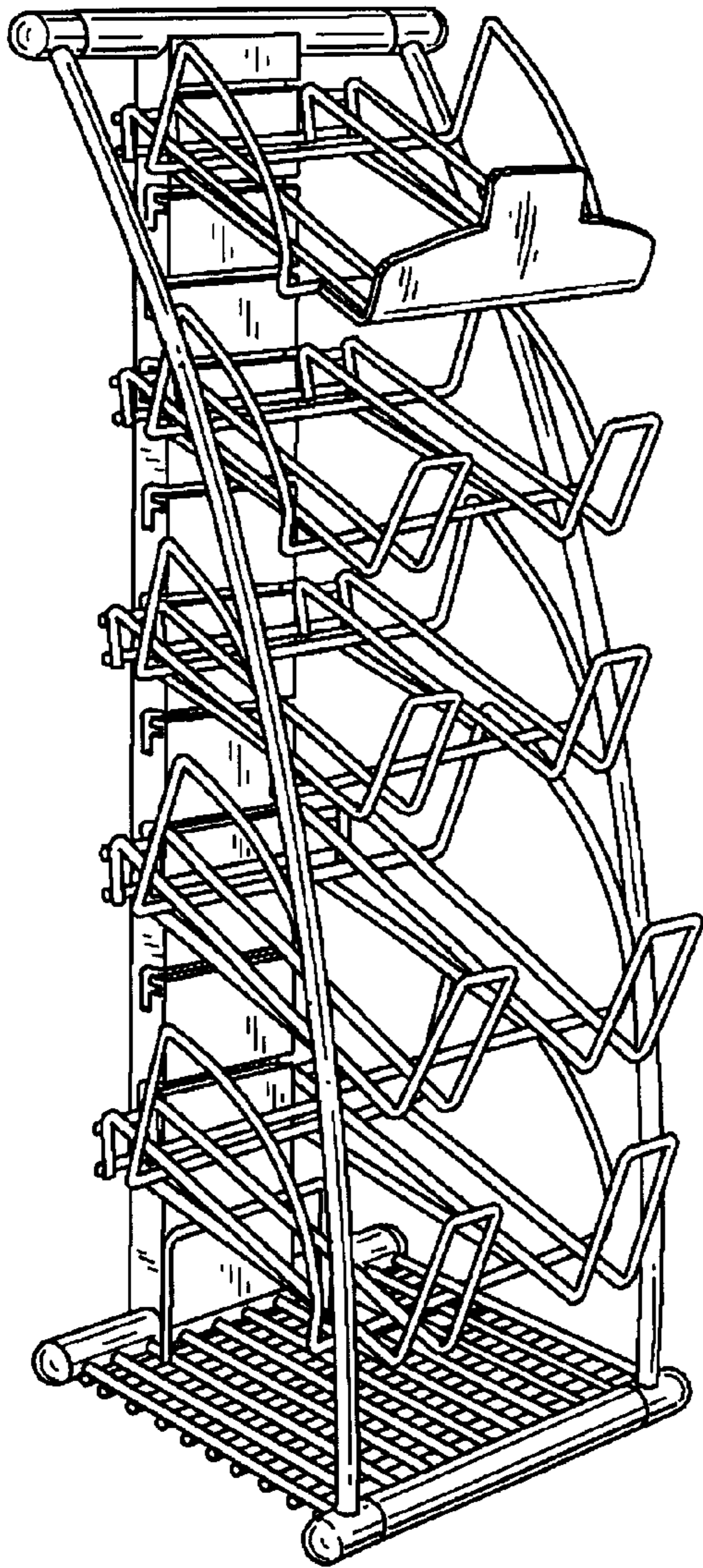
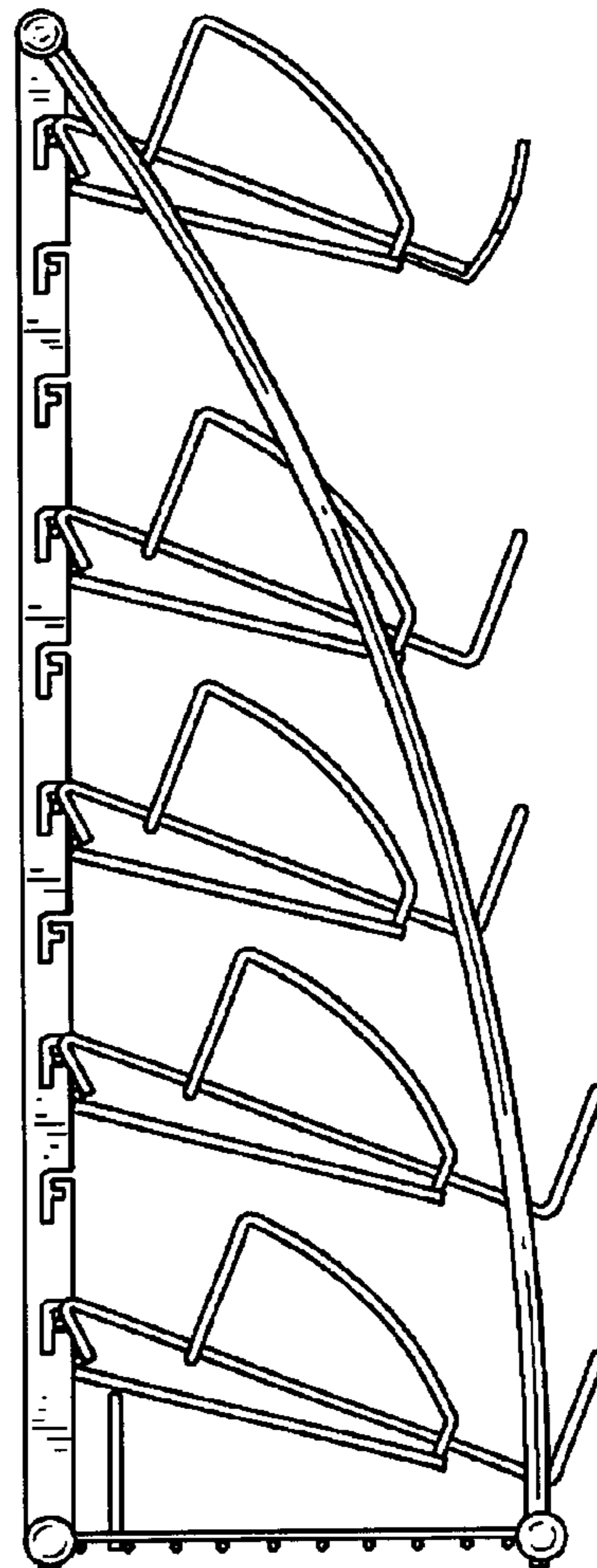


FIG. 1

FIG. 2



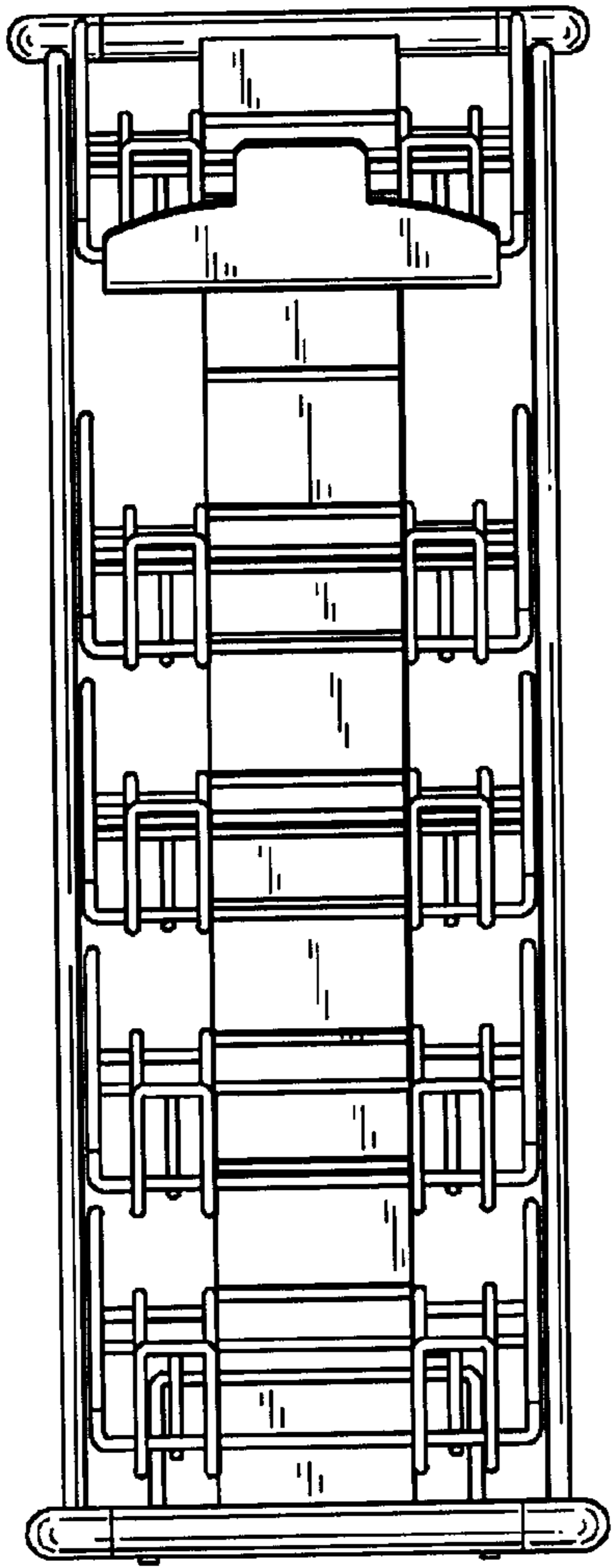


FIG. 3

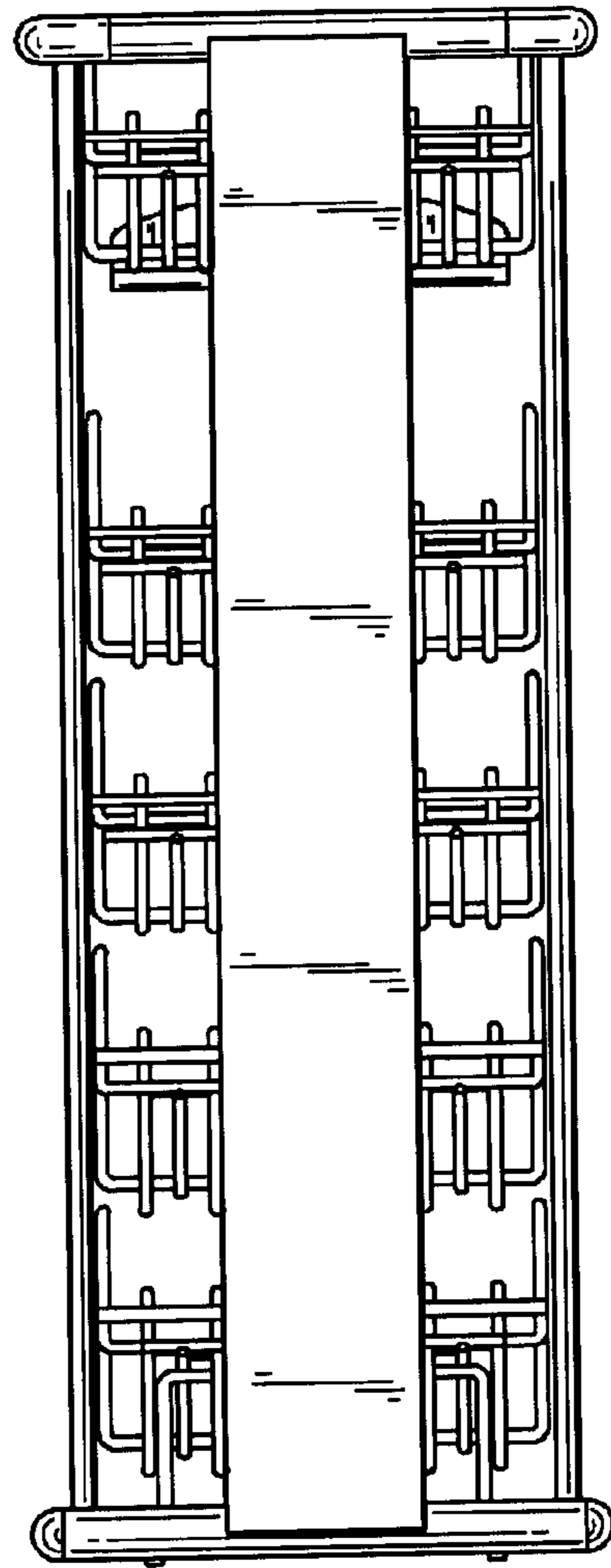


FIG. 4

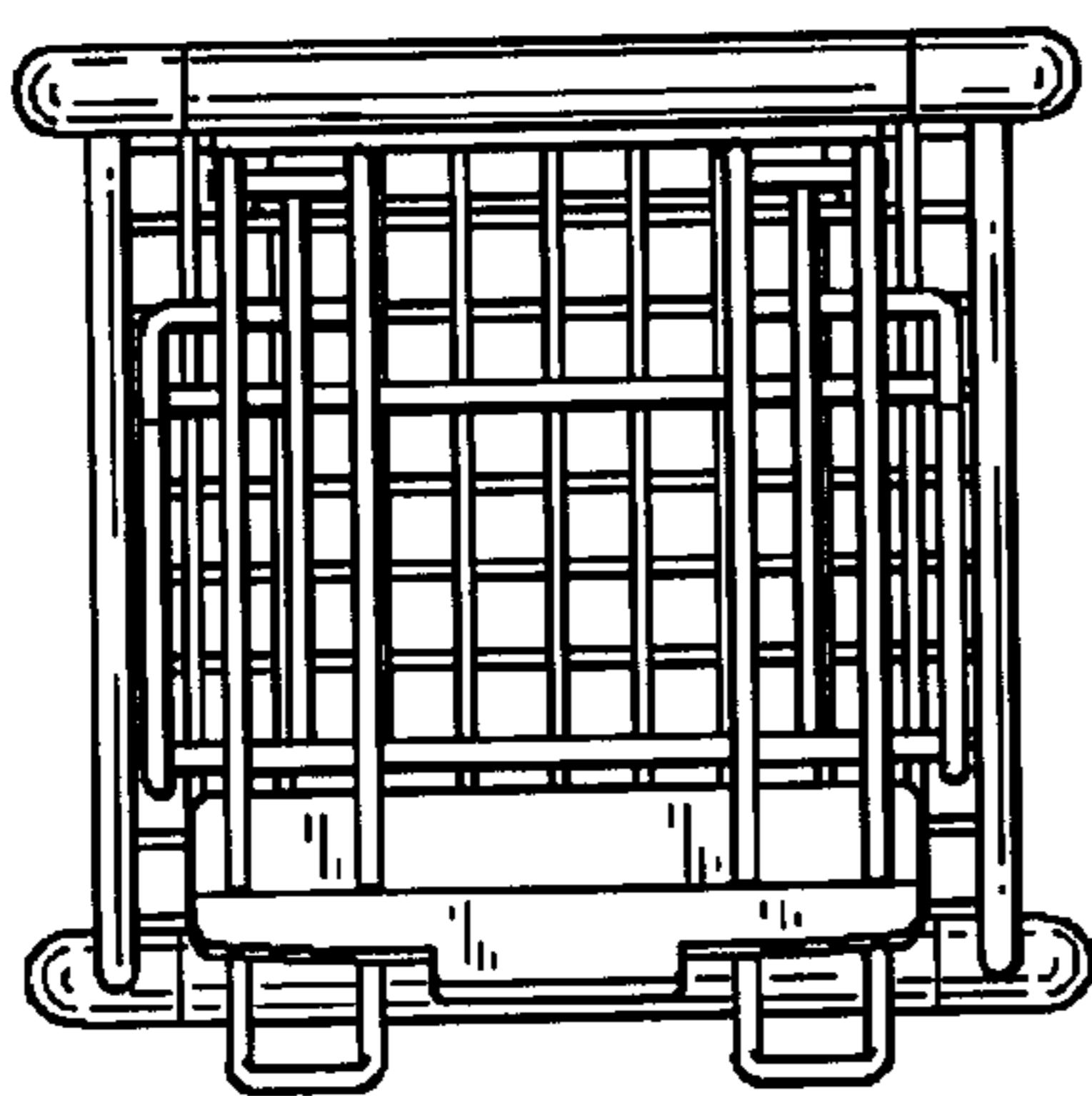


FIG. 5

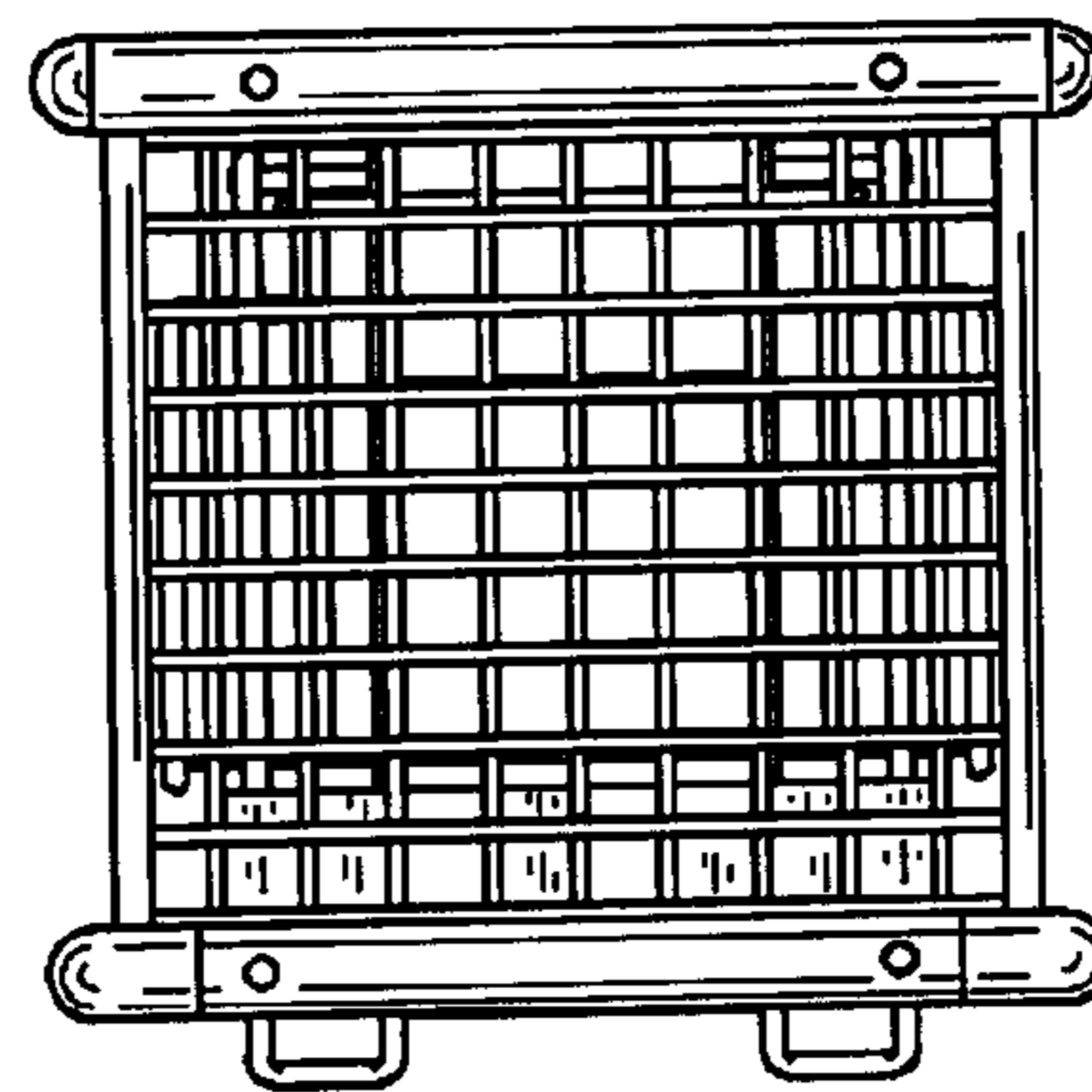


FIG. 6

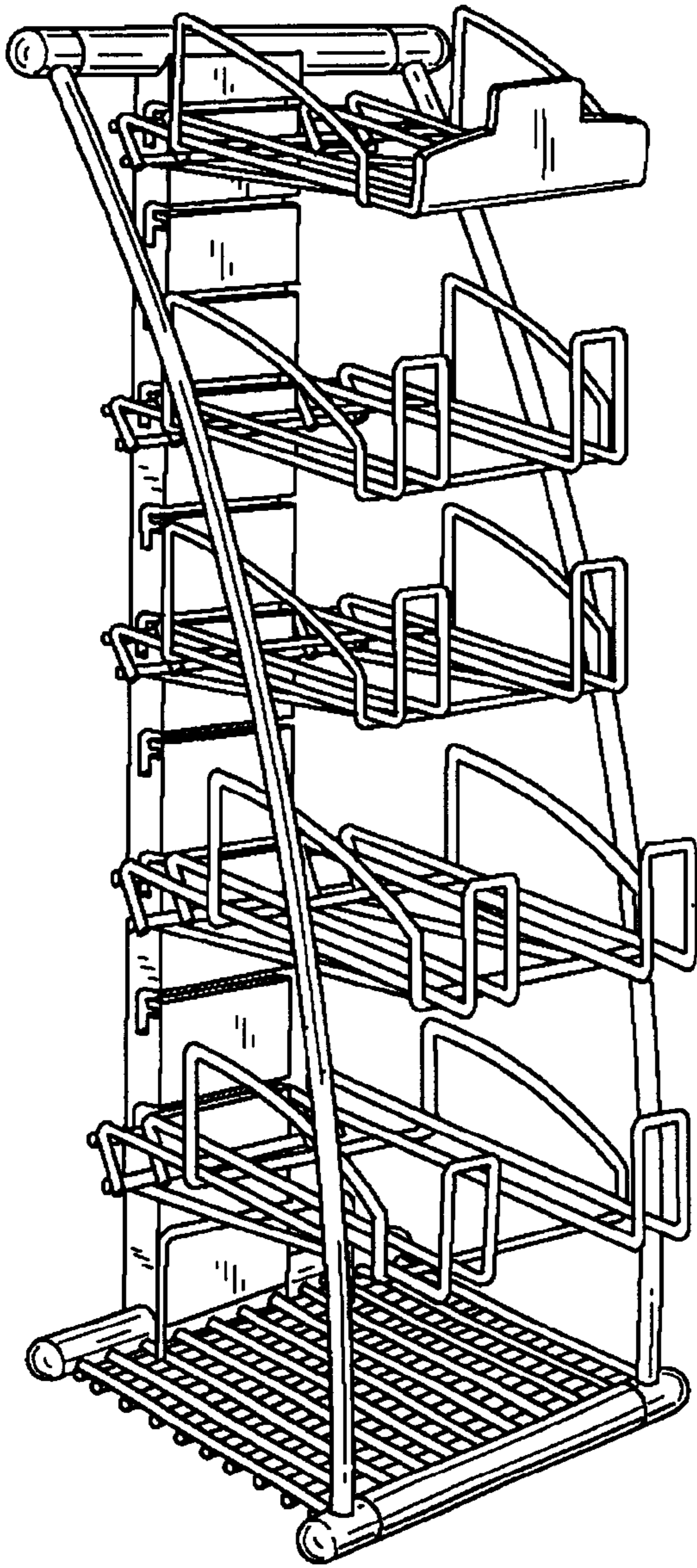


FIG. 7

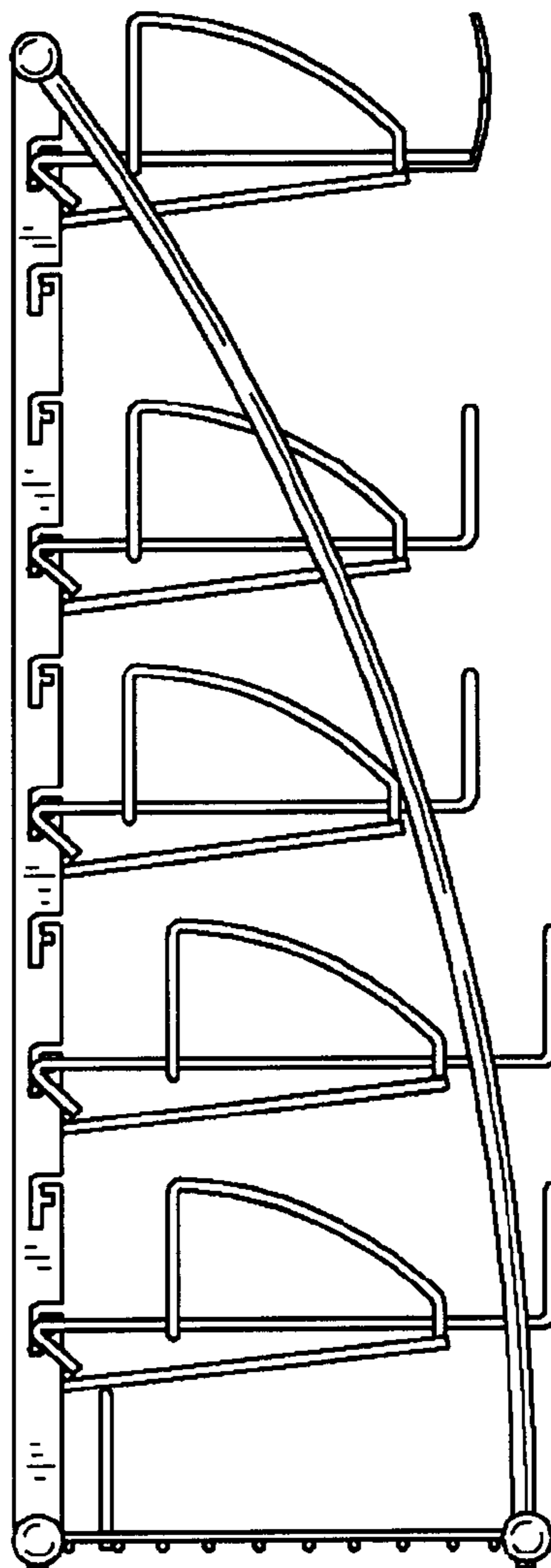


FIG. 8

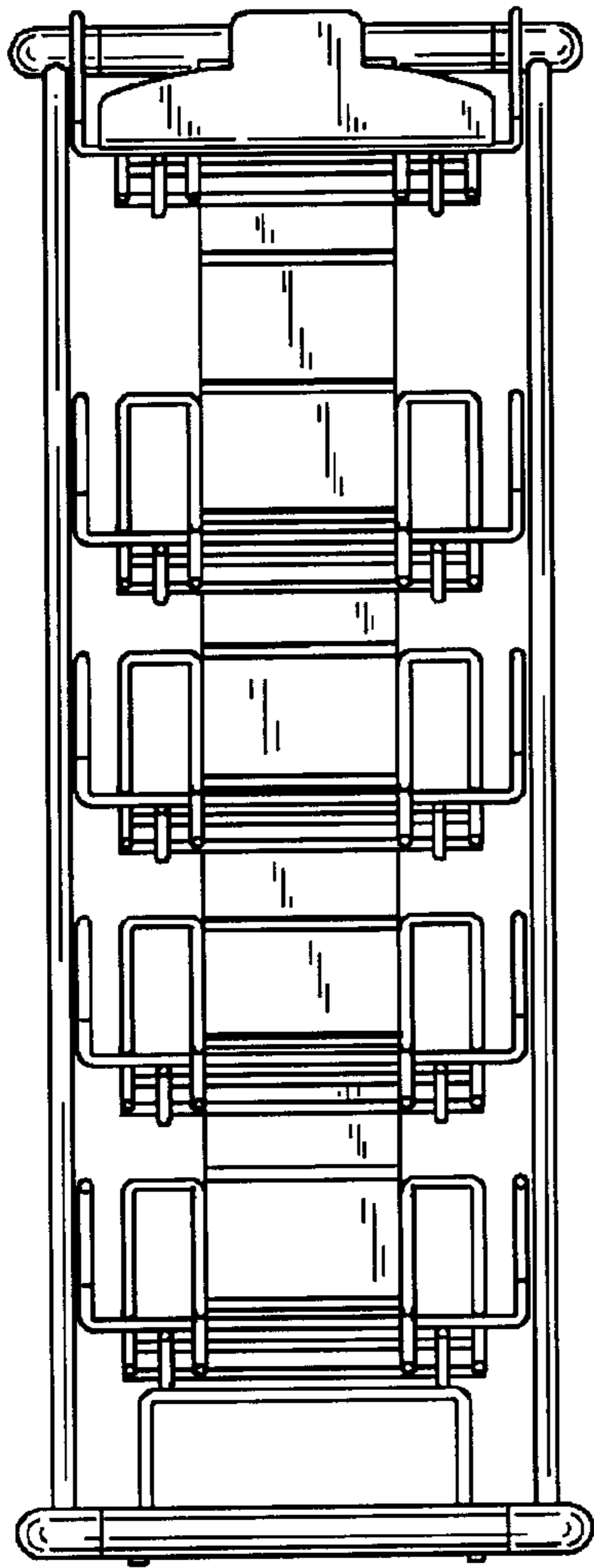


FIG. 9

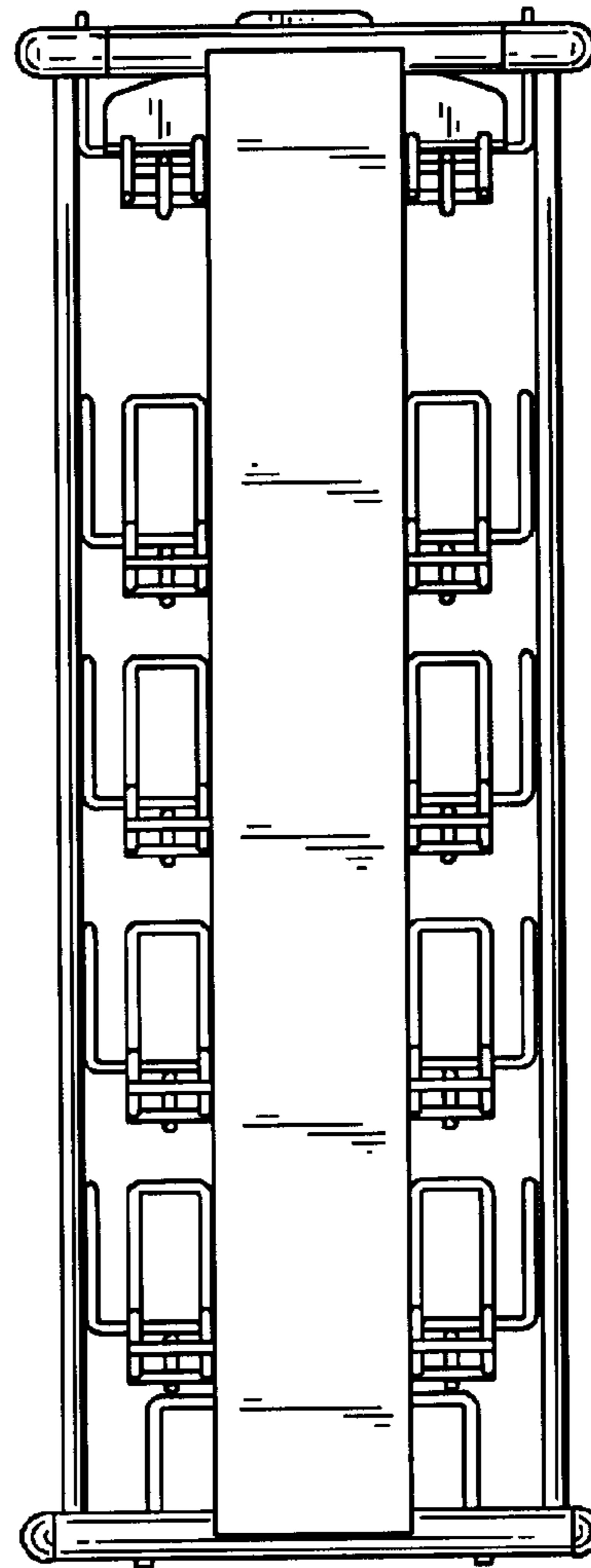


FIG. 10

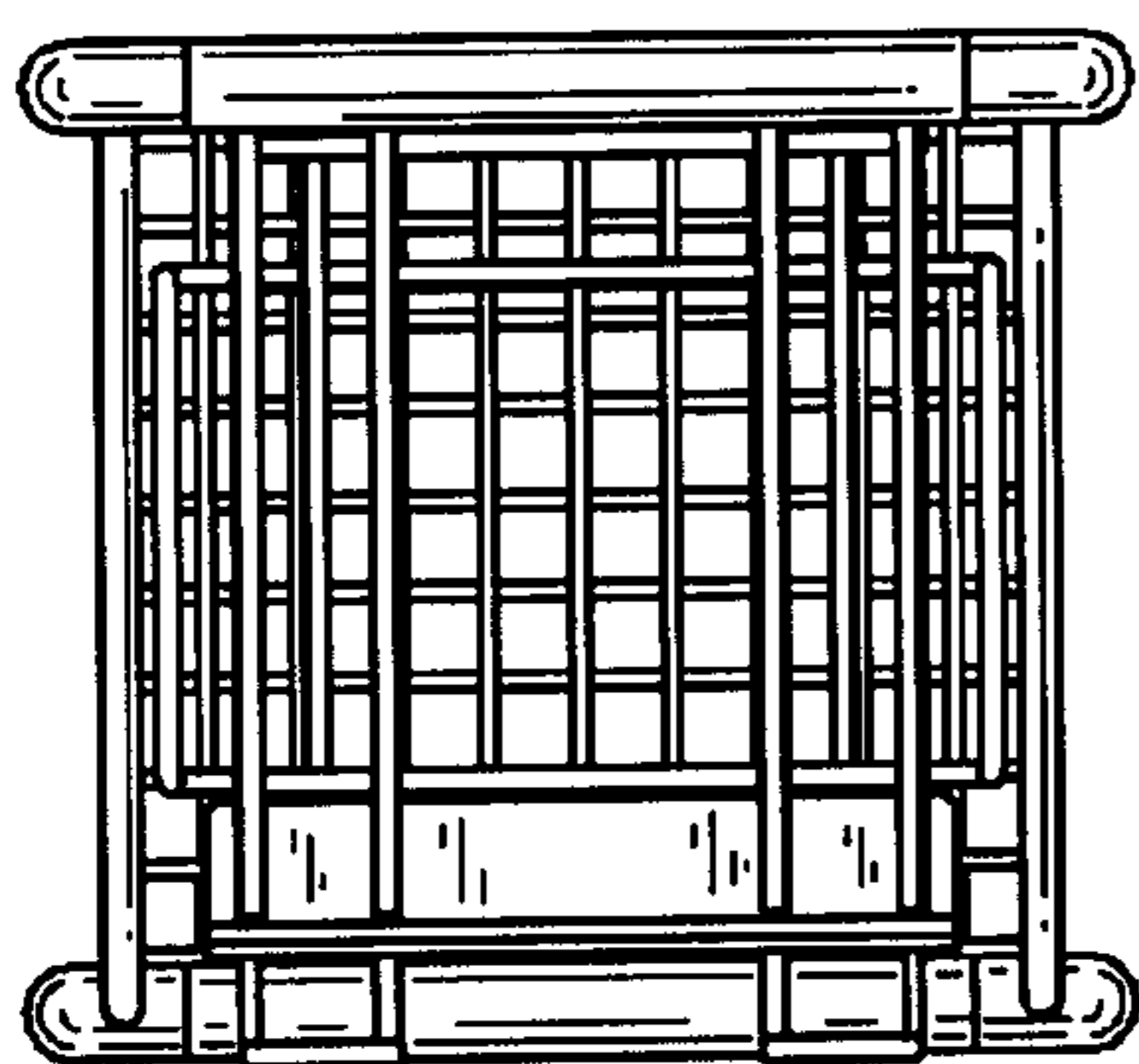


FIG. 11

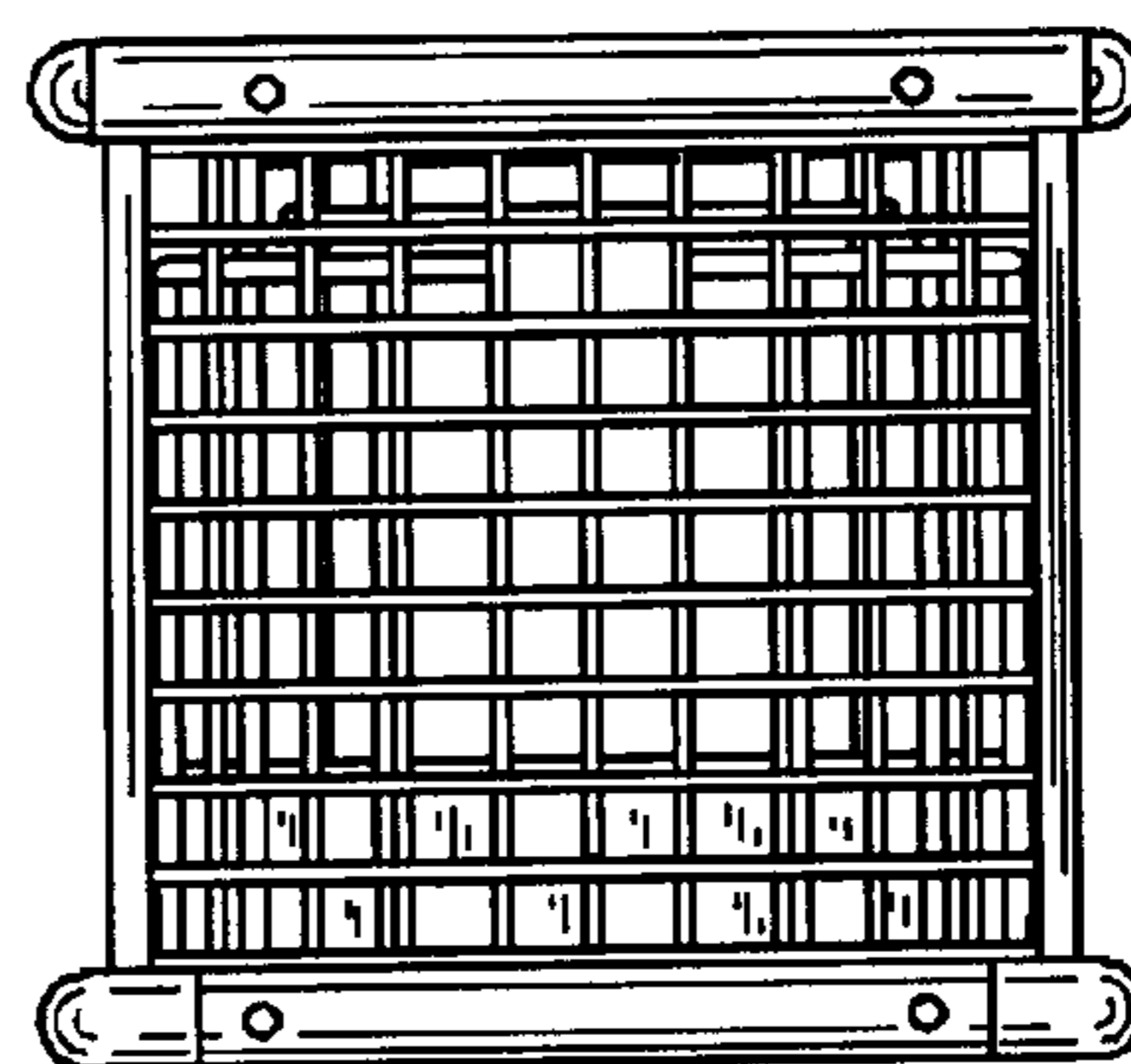


FIG. 12