



US00D524570S

(12) **United States Design Patent**
Newhouse et al.

(10) **Patent No.: US D524,570 S**
(45) **Date of Patent: ** Jul. 11, 2006**

(54) **WORK STATION**

(75) Inventors: **Thomas J. Newhouse**, Grand Rapids, MI (US); **Douglas J. Hill**, Grand Rapids, MI (US); **S. Michael Crump**, Grandville, MI (US)

(73) Assignee: **Hekman Furniture Company**, Grand Rapids, MI (US)

(**) Term: **14 Years**

(21) Appl. No.: **29/231,623**

(22) Filed: **Jun. 8, 2005**

Related U.S. Application Data

(62) Division of application No. 29/206,680, filed on Jun. 2, 2004, now Pat. No. Des. 512,850.

(51) **LOC (8) Cl. 06-03**

(52) **U.S. Cl. D6/422; D6/423**

(58) **Field of Classification Search** D6/421-428; 312/194-196, 208.1, 208.2, 238, 239; 108/50.01, 108/50.02, 60
See application file for complete search history.

(56) **References Cited**

U.S. PATENT DOCUMENTS

1,075,964 A	10/1913	Colling	
1,540,616 A	6/1925	Hagopian	
1,715,134 A	5/1929	Koenig	
1,838,352 A	12/1931	Anderson	
2,378,852 A	6/1945	James	
D186,894 S	* 12/1959	Henrickson	D6/427
2,931,685 A	4/1960	Butler	
D191,453 S	* 10/1961	Abrahamson	D6/422
D191,455 S	* 10/1961	Abrahamson	D6/480
3,183,861 A	5/1965	Halstrick	
3,667,713 A	6/1972	Clarke	
3,744,872 A	7/1973	Akin, Jr. et al.	
3,875,712 A	4/1975	Thompson	
4,191,111 A	3/1980	Emmert	
D281,294 S	* 11/1985	Hoppe	D6/422
4,715,075 A	12/1987	Shamie	

5,107,775 A	4/1992	Langlais et al.	
D358,272 S	* 5/1995	Tatum et al.	D6/425
5,495,811 A	3/1996	Carson et al.	
5,522,642 A	6/1996	Herzog	
5,536,068 A	7/1996	Valentor et al.	
5,549,053 A	8/1996	Grout	
5,562,052 A	10/1996	Glashouwer et al.	
5,598,788 A	2/1997	Jonker	
5,678,892 A	10/1997	Heitlinger	
D401,224 S	11/1998	Mollenkopf et al.	
D415,377 S	* 10/1999	Lottes	D6/511
6,027,086 A	2/2000	Heitlinger et al.	
6,119,605 A	9/2000	Agee	
6,196,648 B1	3/2001	Henriott	
6,202,567 B1	3/2001	Funk et al.	
6,209,840 B1	4/2001	Chen	
6,312,069 B1	11/2001	Weng	
6,327,985 B1	12/2001	Frenkler et al.	
6,354,231 B1	3/2002	Morris	
6,374,754 B1	4/2002	Chang	
6,422,668 B1	7/2002	Kelley et al.	

(Continued)

Primary Examiner—Janice Seeger

(74) *Attorney, Agent, or Firm*—Warner Norcross & Judd LLC

(57) **CLAIM**

The ornamental design for a work station, as shown and described.

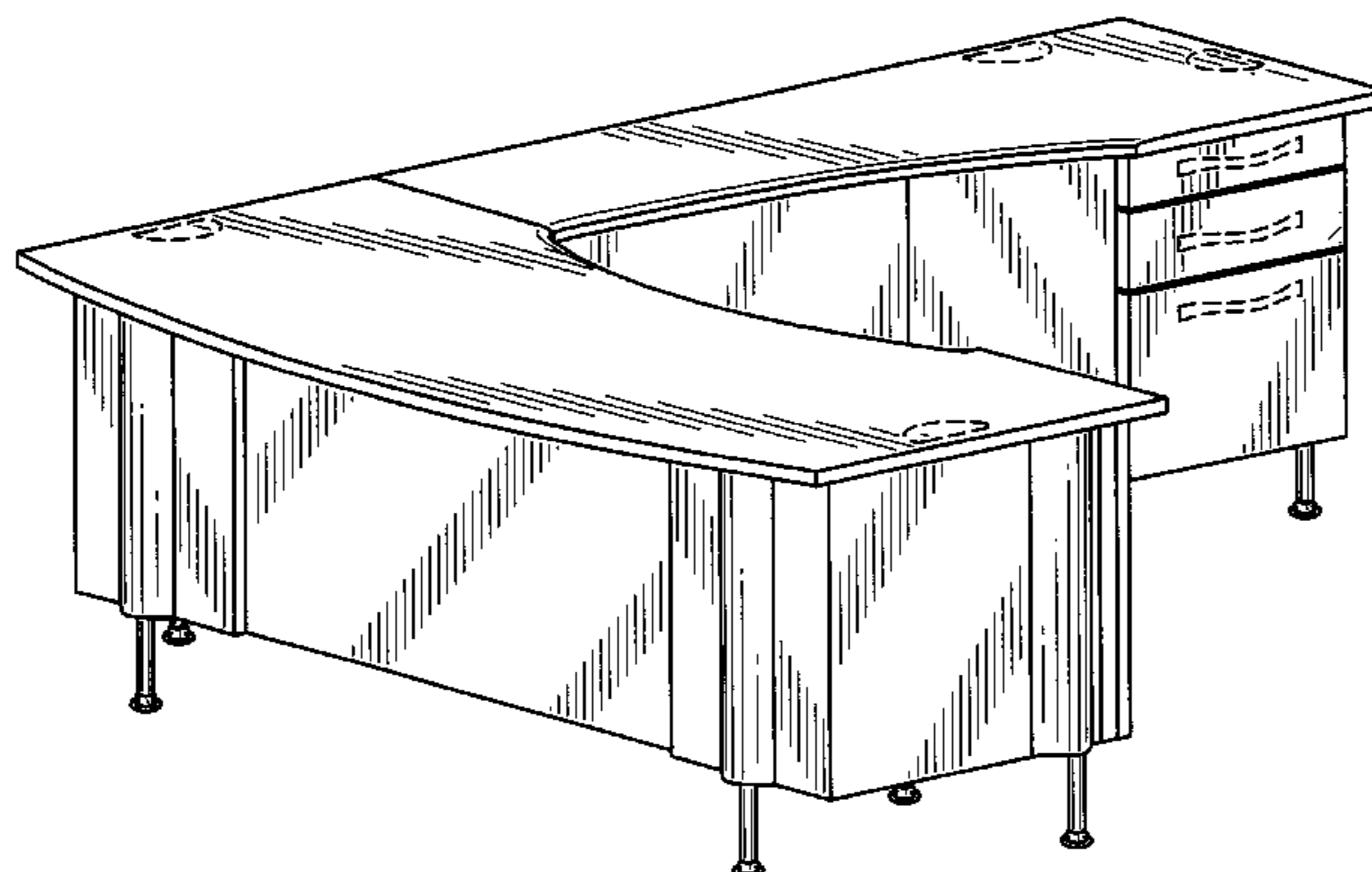
DESCRIPTION

FIG. 1 is a perspective view of the work station; FIG. 2 is a top plan view thereof; FIG. 3 is a bottom plan view thereof; FIG. 4 is a left side elevation view thereof; FIG. 5 is a front elevation view thereof; FIG. 6 is a right side elevation view thereof; and, FIG. 7 is a back elevation thereof.

The phantom lines are for illustrative purposes and form no part of the claimed design.

The broken lines are for illustrative purposes only and form no part of the claimed design.

1 Claim, 7 Drawing Sheets



US D524,570 S

Page 2

U.S. PATENT DOCUMENTS

6,510,803 B1	1/2003	Agee		6,662,732 B1	12/2003	Birsel et al.
6,520,461 B1	2/2003	Graham		2002/0084390 A1	7/2002	Parisi et al.
D471,376 S *	3/2003	Cizmar D6/426	2002/0092448 A1	7/2002	Park
6,546,880 B1	4/2003	Agee		2003/0102700 A1	6/2003	Lin

* cited by examiner

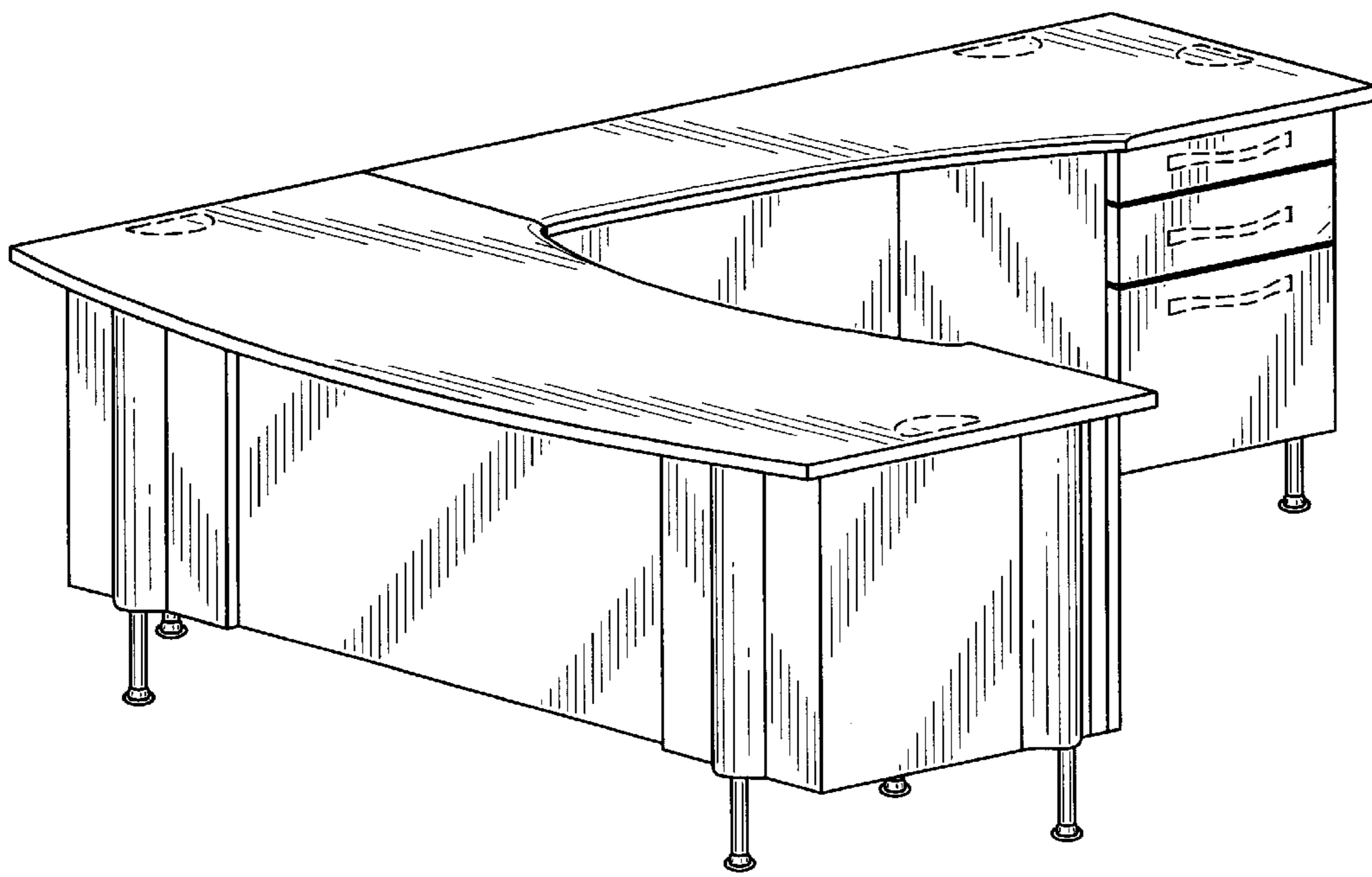


FIG. 1

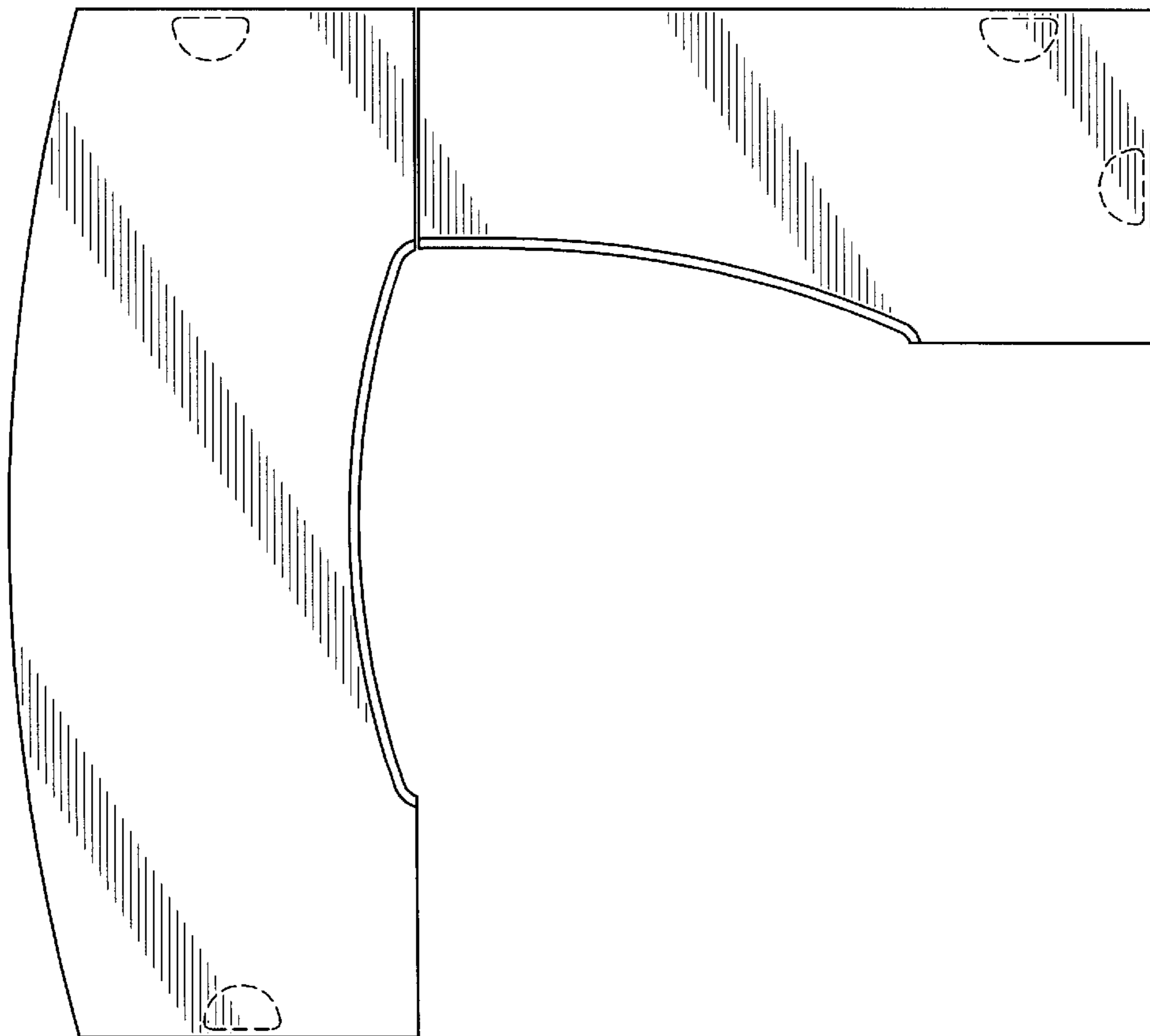


FIG. 2

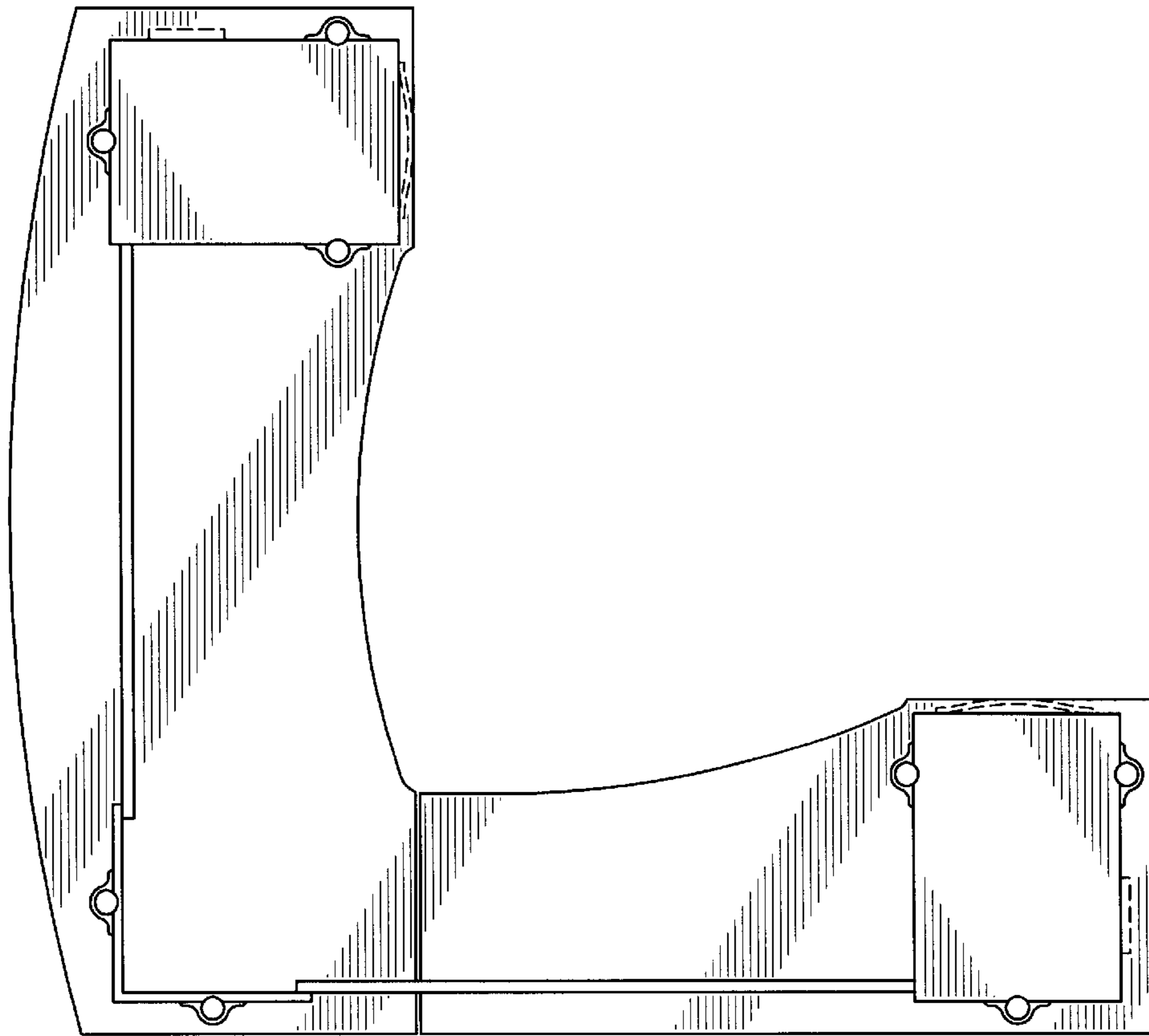


FIG. 3

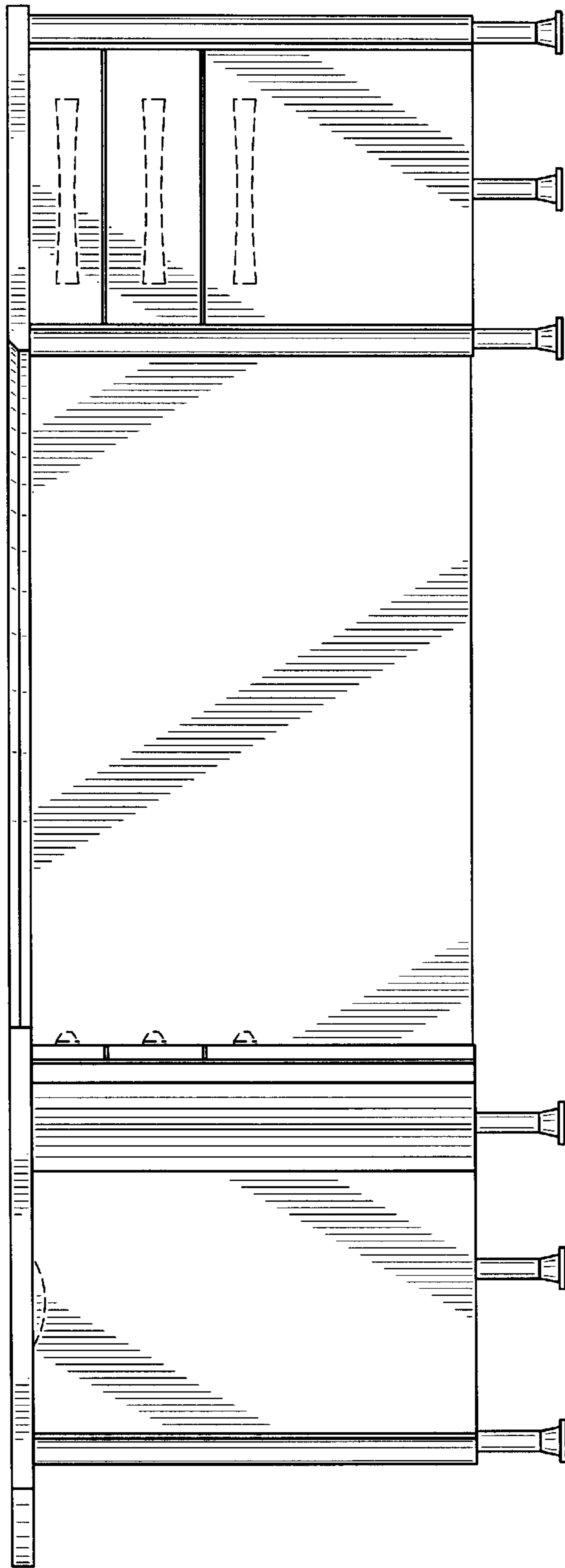


FIG. 4

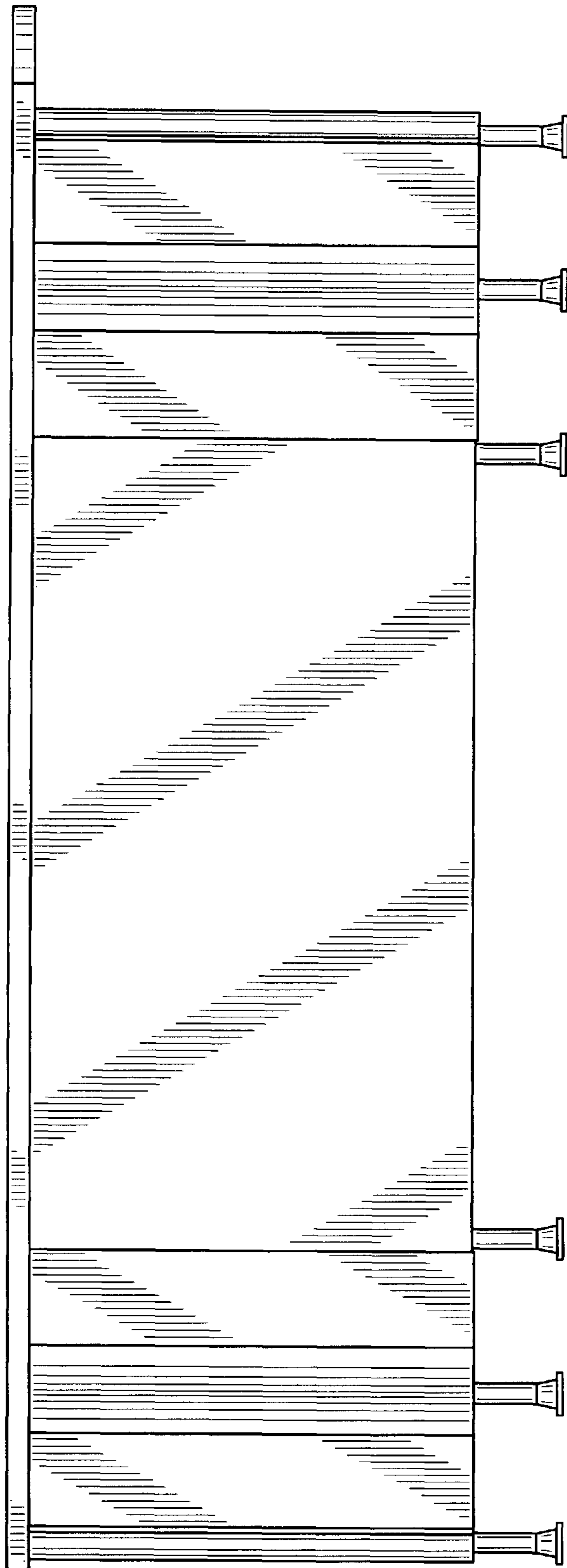


FIG. 5

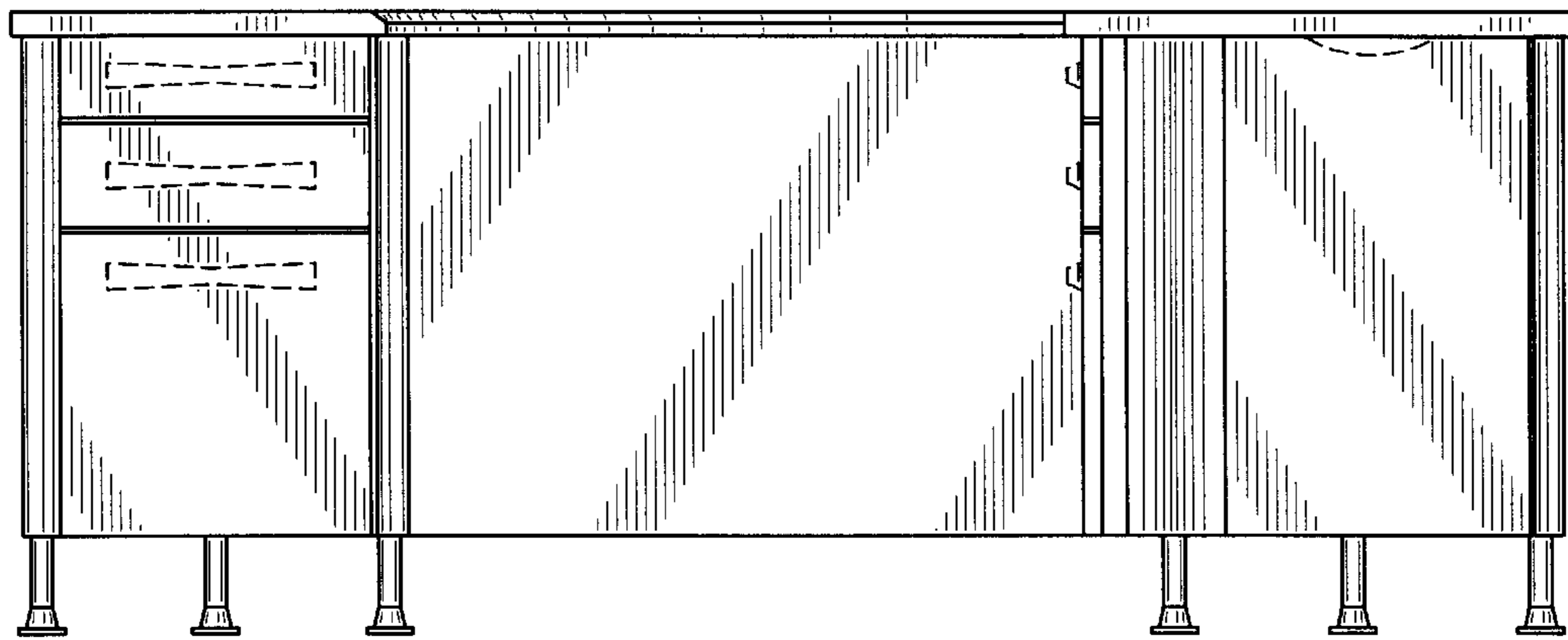


FIG. 6

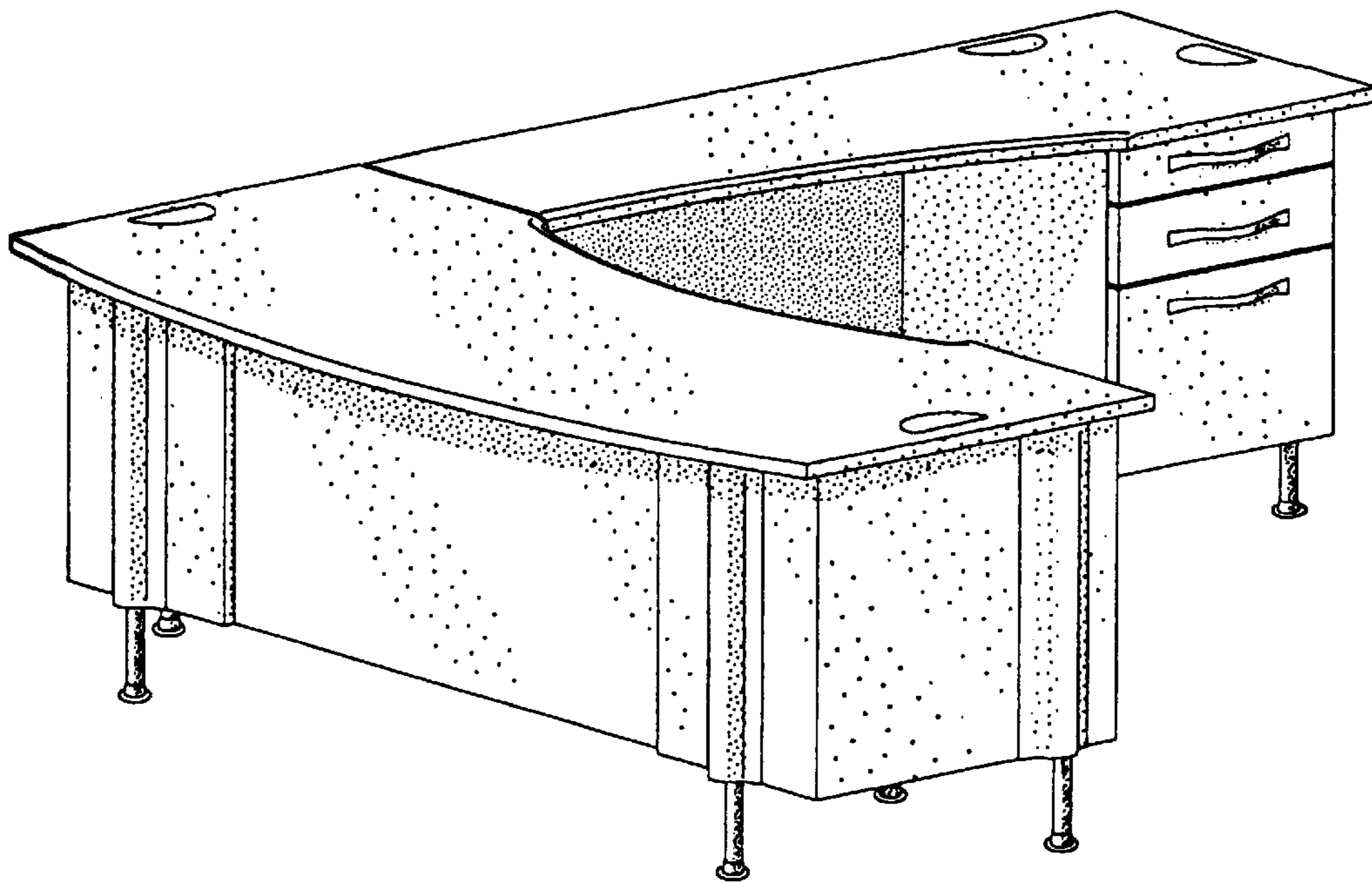


Fig. 7