



US00D524563S

(12) **United States Design Patent**
Conway

(10) **Patent No.:** **US D524,563 S**

(45) **Date of Patent:** **** Jul. 11, 2006**

(54) **BENCH**

(76) **Inventor:** **Jennifer E. Conway**, 1133 SW. Ryan Ct., West Linn, OR (US) 97068

(**) **Term:** **14 Years**

(21) **Appl. No.:** **29/223,374**

(22) **Filed:** **Feb. 11, 2005**

(51) **LOC (8) Cl.** **06-01**

(52) **U.S. Cl.** **D6/349**

(58) **Field of Classification Search** D6/334-339,
D6/349, 352, 364-366, 353, 369, 370, 495,
D6/500-502; 5/12.1; 297/445.1, 232, 446.1,
297/447.3, 448.1, 452.1

See application file for complete search history.

(56) **References Cited**

U.S. PATENT DOCUMENTS

- D182,801 S * 5/1958 Garshof D6/501
- 3,627,086 A * 12/1971 Caigan et al. 190/8
- D233,090 S * 10/1974 Laylon D6/361
- D248,345 S * 7/1978 Stoddard D6/353

- D275,913 S * 10/1984 Mulligan D6/301
- D299,988 S * 2/1989 Parabita D6/368
- D327,984 S * 7/1992 Harris D6/335
- D399,069 S * 10/1998 Wolf D6/356
- D441,204 S * 5/2001 Bernich D6/334
- 6,848,127 B1 * 2/2005 Inagaki 5/18.1

* cited by examiner

Primary Examiner—Sandra S. Snapp

(57) **CLAIM**

The ornamental design for a bench, as shown and described.

DESCRIPTION

FIG. 1 is a perspective view of a bench, showing my new design;

FIG. 2 is a top plan view thereof;

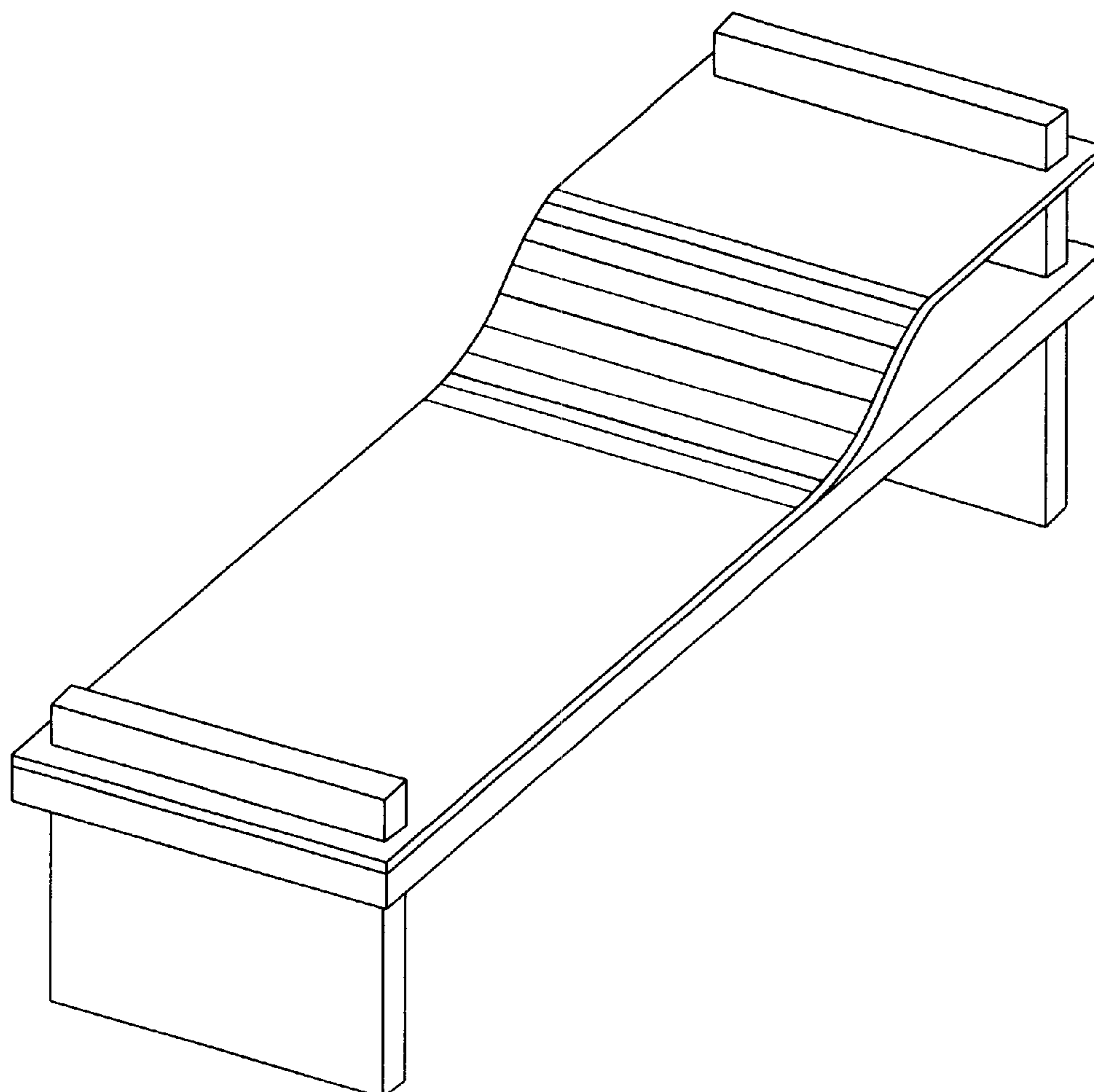
FIG. 3 is a left end view thereof;

FIG. 4 is a right end view thereof;

FIG. 5 is a right side, elevational view, the left side being a mirror image thereof; and,

FIG. 6 is a bottom plan view thereof.

1 Claim, 6 Drawing Sheets



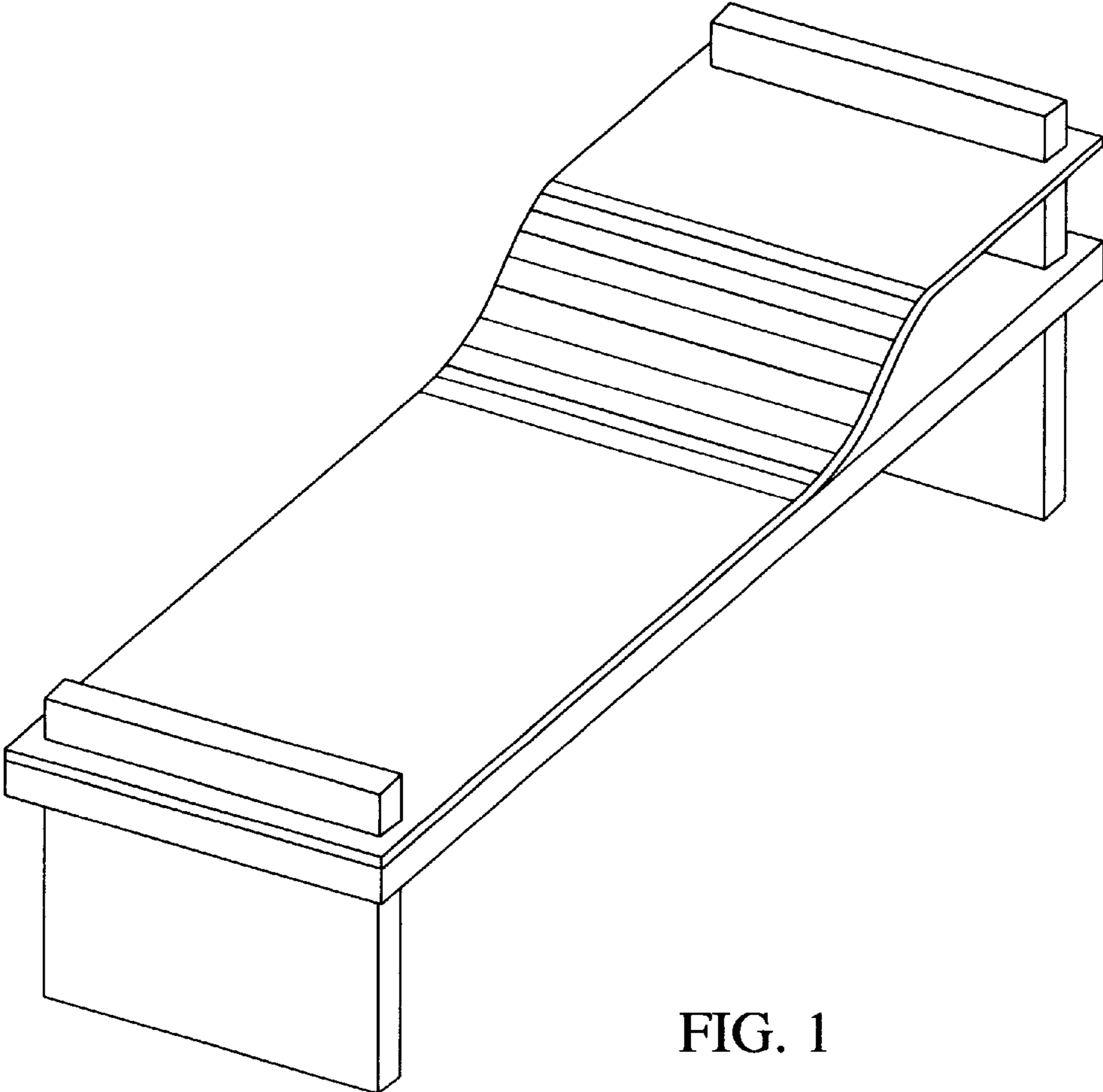


FIG. 1

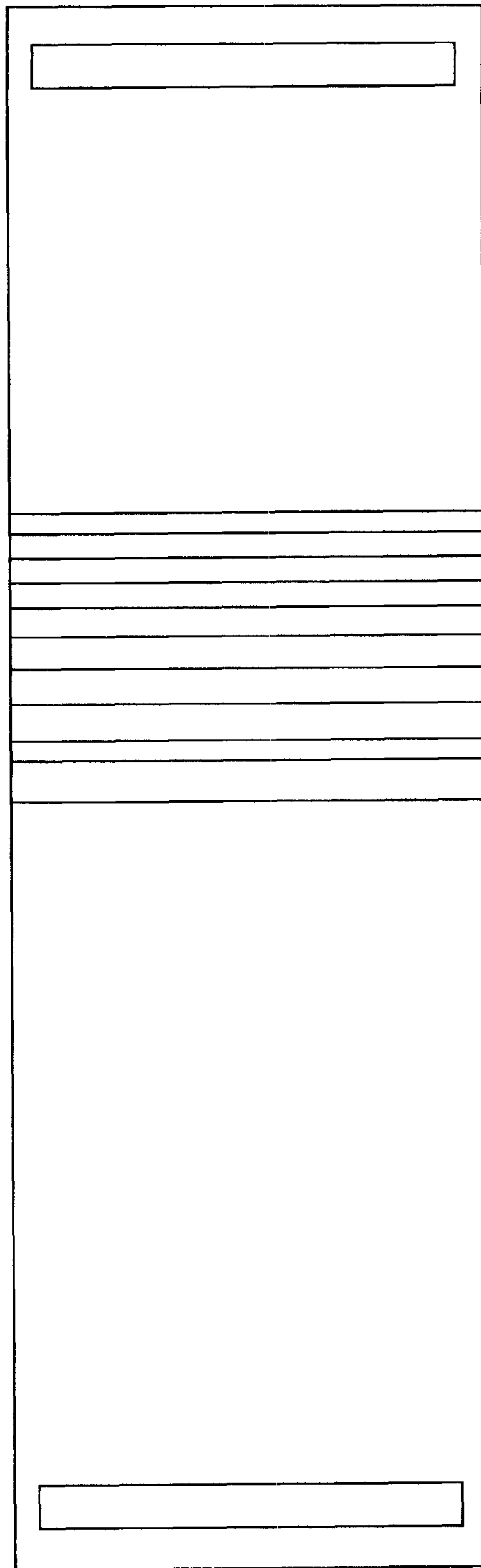


FIG. 2

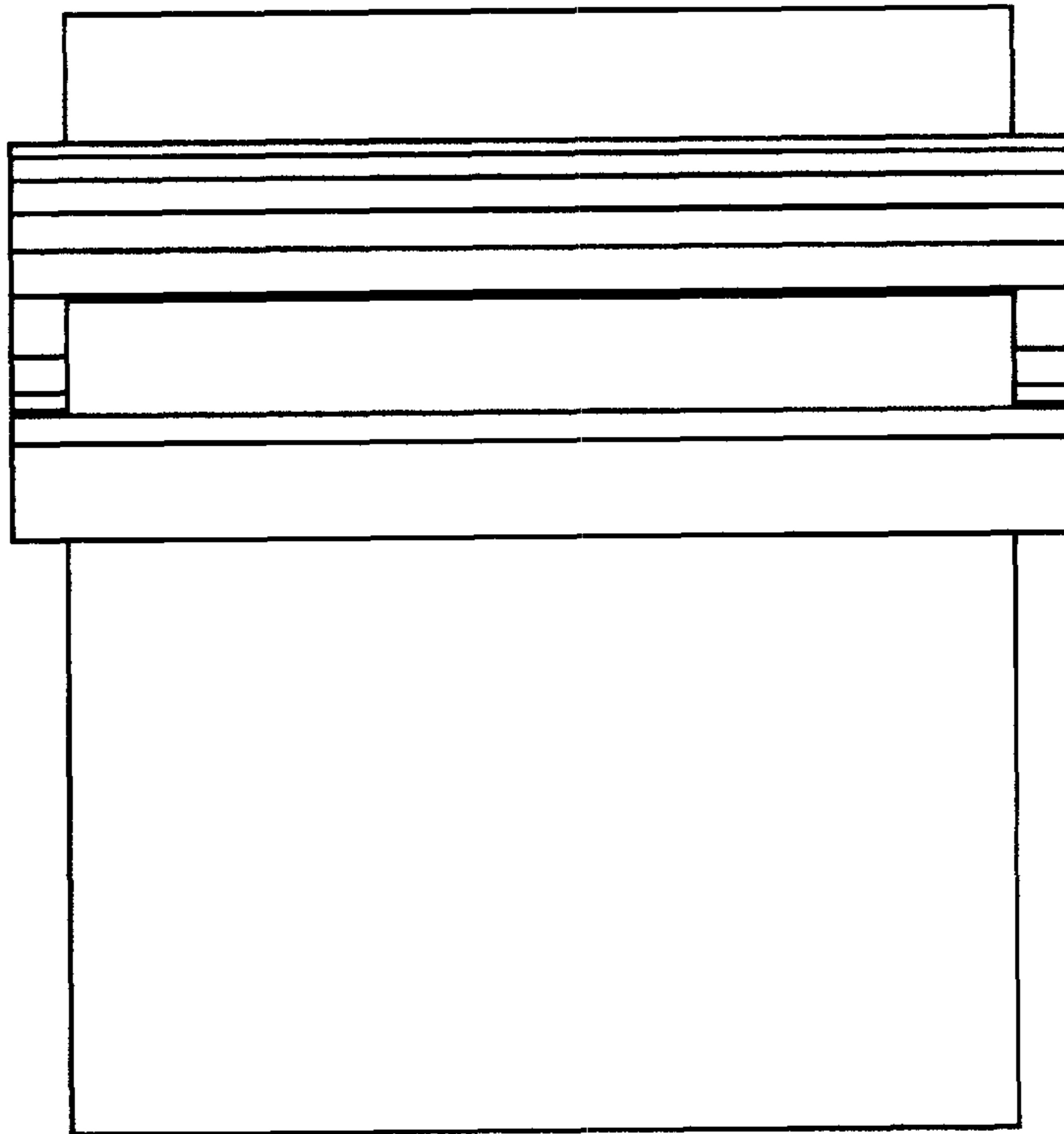


FIG. 3

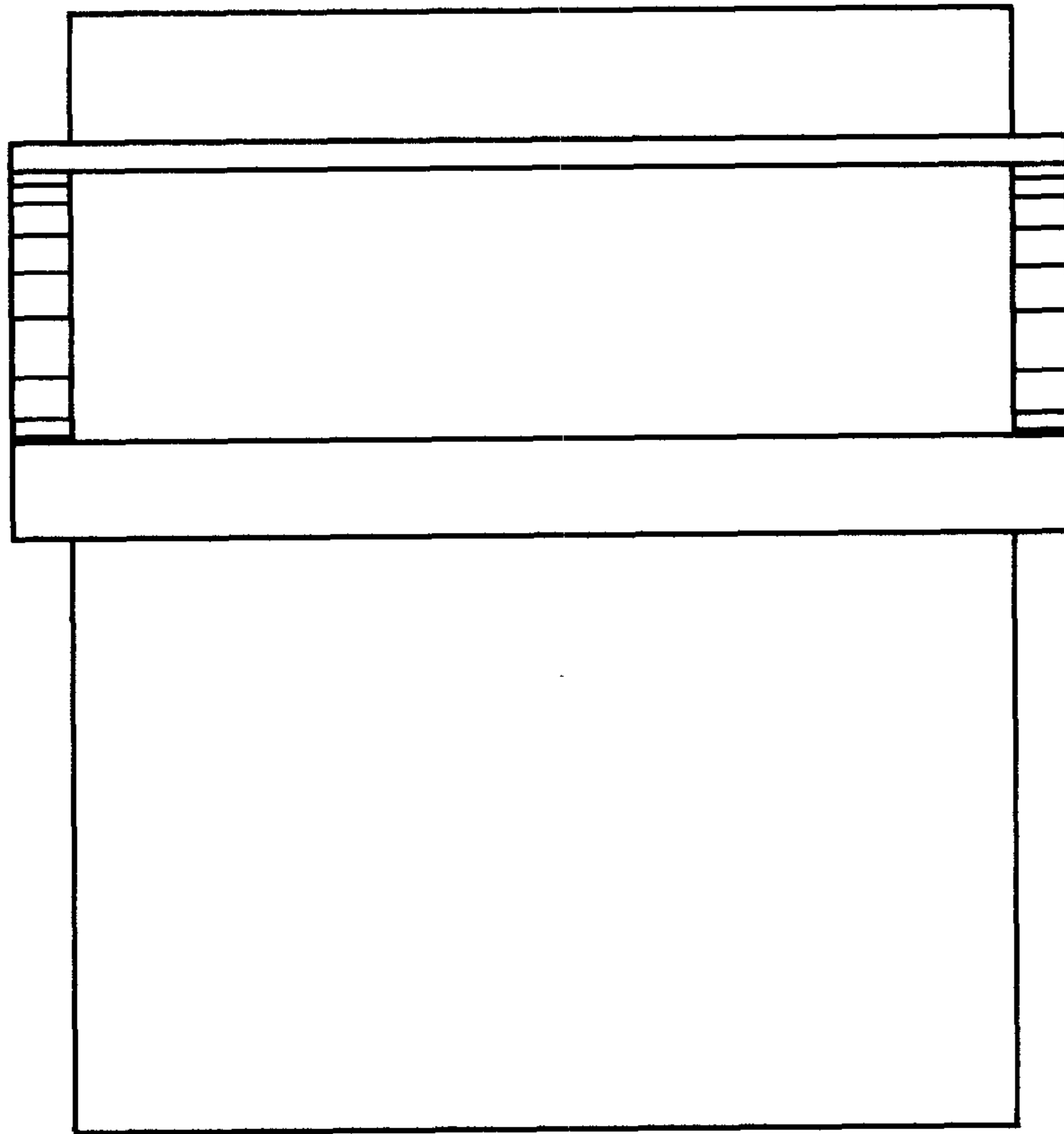


FIG. 4

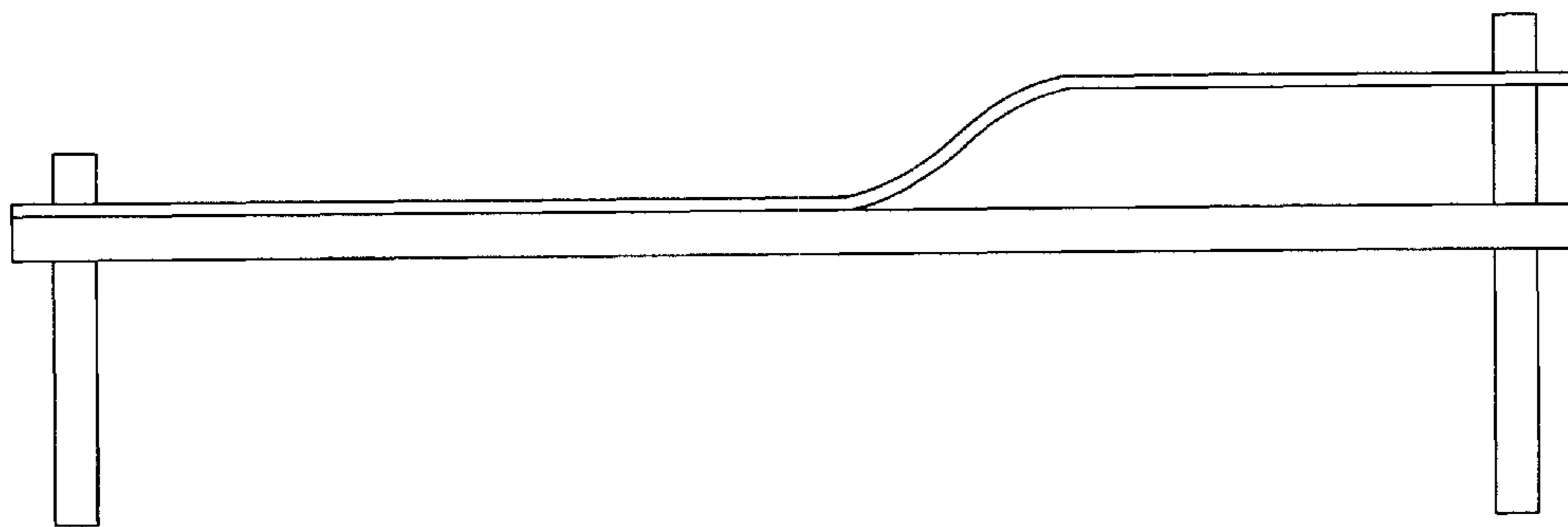


FIG. 5

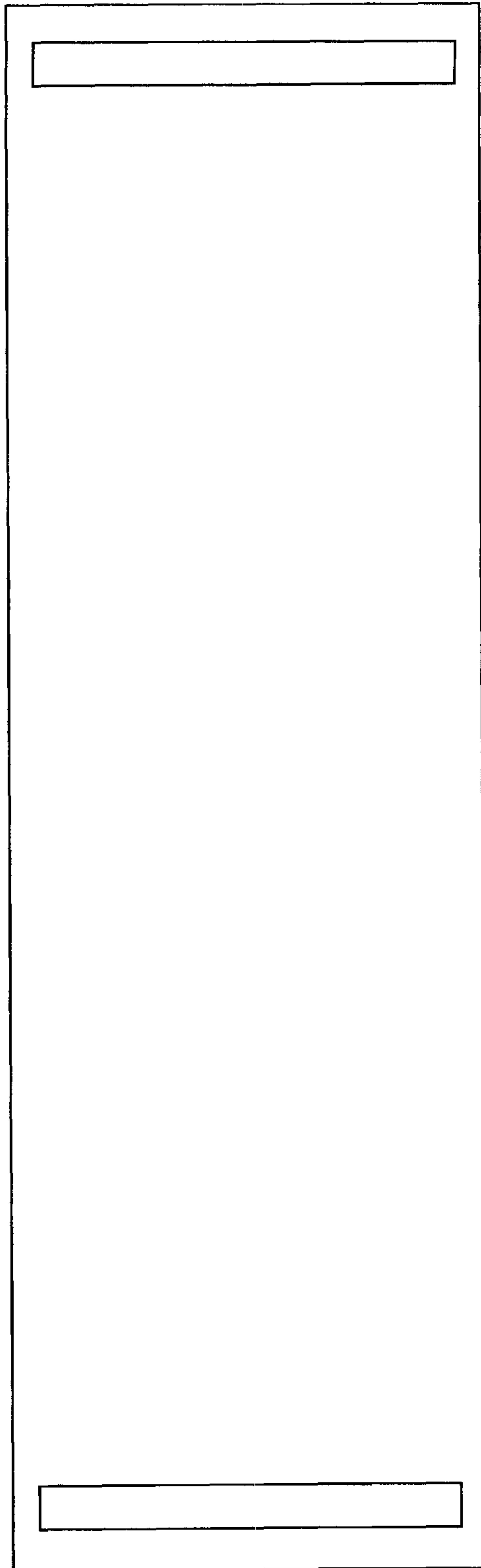


FIG. 6