

US00D524560S

(12) **United States Design Patent**
Berhow et al.

(10) **Patent No.:** **US D524,560 S**

(45) **Date of Patent:** **** Jul. 11, 2006**

(54) **COMBINATION CAR SEAT AND STROLLER**

(76) Inventors: **Karen R. Berhow**, 6601 Burgundy Way, Las Vegas, NV (US) 89107; **Paul D. Francis**, 6601 Burgundy Way, Las Vegas, NV (US) 89107

(**) Term: **14 Years**

(21) Appl. No.: **29/224,663**

(22) Filed: **Mar. 7, 2005**

(51) **LOC (8) Cl.** **06-01**

(52) **U.S. Cl.** **D6/335**

(58) **Field of Classification Search** 5/93.1, 5/99.1, 94, 101, 98.1, 947, 103-104, 655; D6/333-336, 339; D12/129, 130; D21/419; 297/250.1, 255, 256.15, 256.16, 183.1, 183.2; 280/30-31

See application file for complete search history.

(56) **References Cited**

U.S. PATENT DOCUMENTS

2,494,489	A	1/1950	Raucher	
3,463,504	A	* 8/1969	Petry et al.	280/31
D261,129	S	* 10/1981	Perego	D12/129
D288,797	S	* 3/1987	Daykin et al.	D12/129
4,685,688	A	8/1987	Edwards	
4,762,331	A	* 8/1988	Tucker et al.	280/30
D297,684	S	9/1988	Taylor, Sr.	
4,786,064	A	* 11/1988	Baghdasarian	280/30
D302,410	S	* 7/1989	Tucker et al.	D12/129
D306,711	S	* 3/1990	Bolanos et al.	D12/129
4,946,180	A	8/1990	Baer	
5,104,134	A	* 4/1992	Cone	280/30
D330,527	S	* 10/1992	Jones	D12/129
D332,590	S	* 1/1993	Robinson	D12/129
5,188,380	A	2/1993	Tucek	
D333,923	S	* 3/1993	Dainty	D6/333

D337,210	S	* 7/1993	Silverman	D6/333
D345,720	S	4/1994	Pohl	
5,375,869	A	12/1994	Hsiao	
D358,058	S	* 5/1995	Anthony et al.	D6/333
D361,743	S	* 8/1995	Matsumoto et al.	D12/129
D371,248	S	* 7/1996	Niessen et al.	D6/333
D396,025	S	* 7/1998	Morrone	D12/129
D402,235	S	* 12/1998	Haut	D12/129
6,070,890	A	* 6/2000	Haut et al.	280/47.38
D434,704	S	* 12/2000	Huang	D12/129
D450,266	S	* 11/2001	Lin	D12/129
6,331,032	B1	* 12/2001	Haut et al.	297/130
D463,330	S	* 9/2002	Yang et al.	D12/129
D482,641	S	* 11/2003	Hansen	D12/129
D502,896	S	* 3/2005	Pullam, St	D12/129

* cited by examiner

Primary Examiner—Sandra S. Snapp

(74) *Attorney, Agent, or Firm*—Donald R. Schoonover

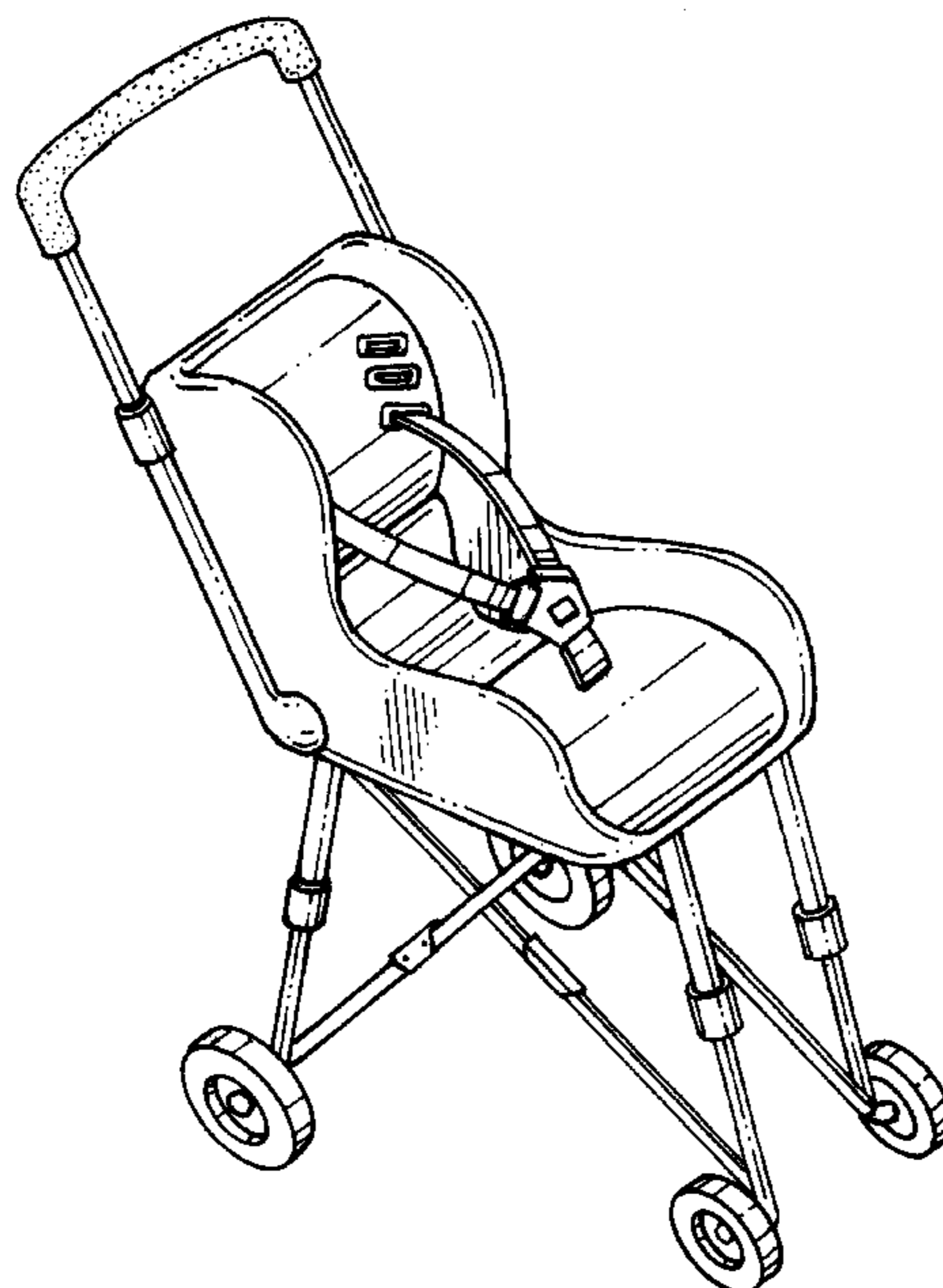
(57) **CLAIM**

We claim the ornamental design for a combination car seat and stroller, as shown and described.

DESCRIPTION

FIG. 1 is a perspective view of a combination car seat and stroller showing our new design; FIG. 2 is a front elevational view thereof; FIG. 3 is a rear elevational view thereof; FIG. 4 is a right side elevational view thereof, the left side elevational view being a mirror image thereof; FIG. 5 is a top plan view thereof; FIG. 6 is a bottom plan view thereof; and, FIG. 7 is a left side elevational view showing the combination car seat and stroller in a car seat configuration with the legs thereof collapsed, all other views showing the combination car seat and stroller in a stroller configuration.

1 Claim, 6 Drawing Sheets



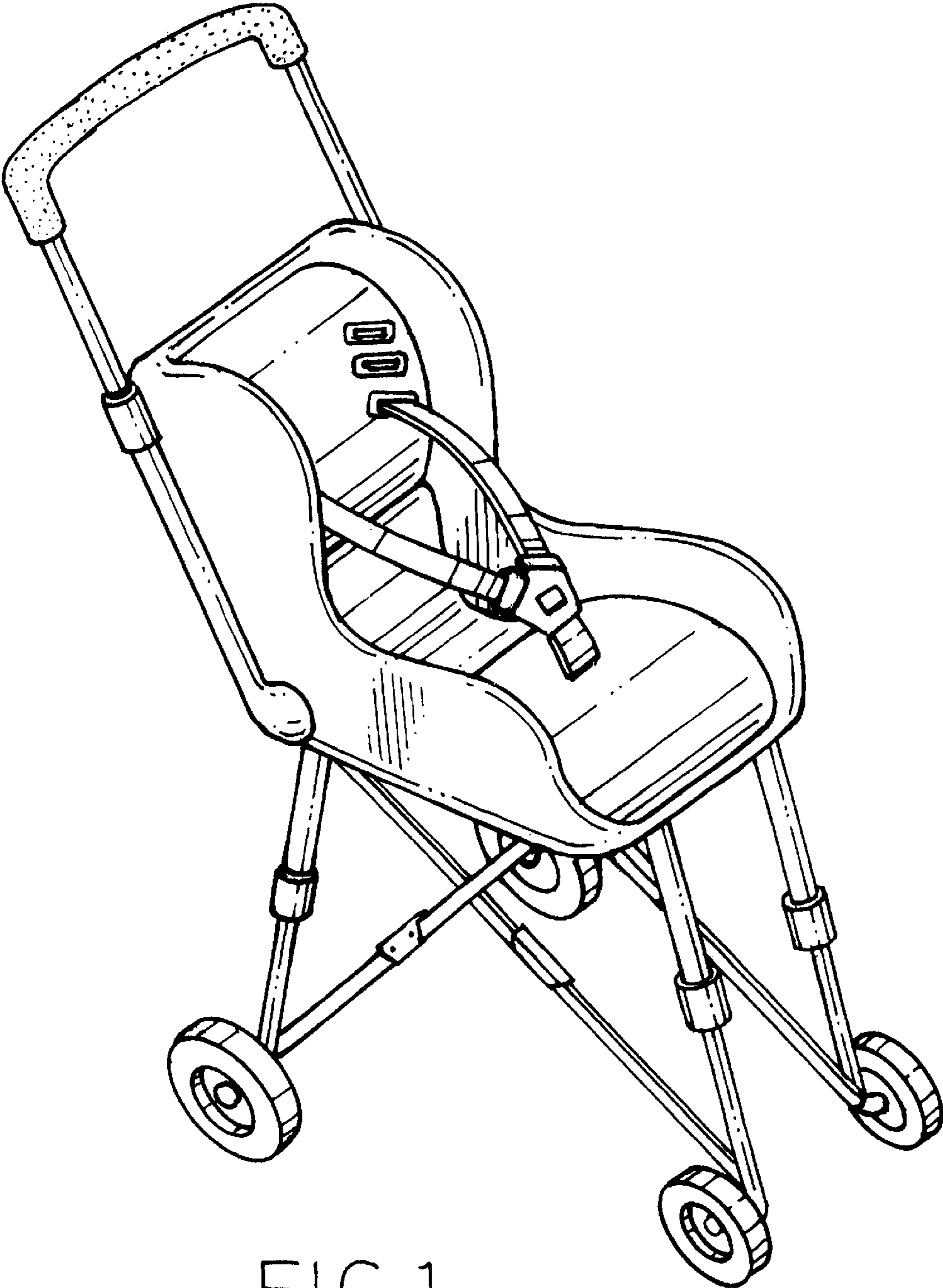


FIG. 1.

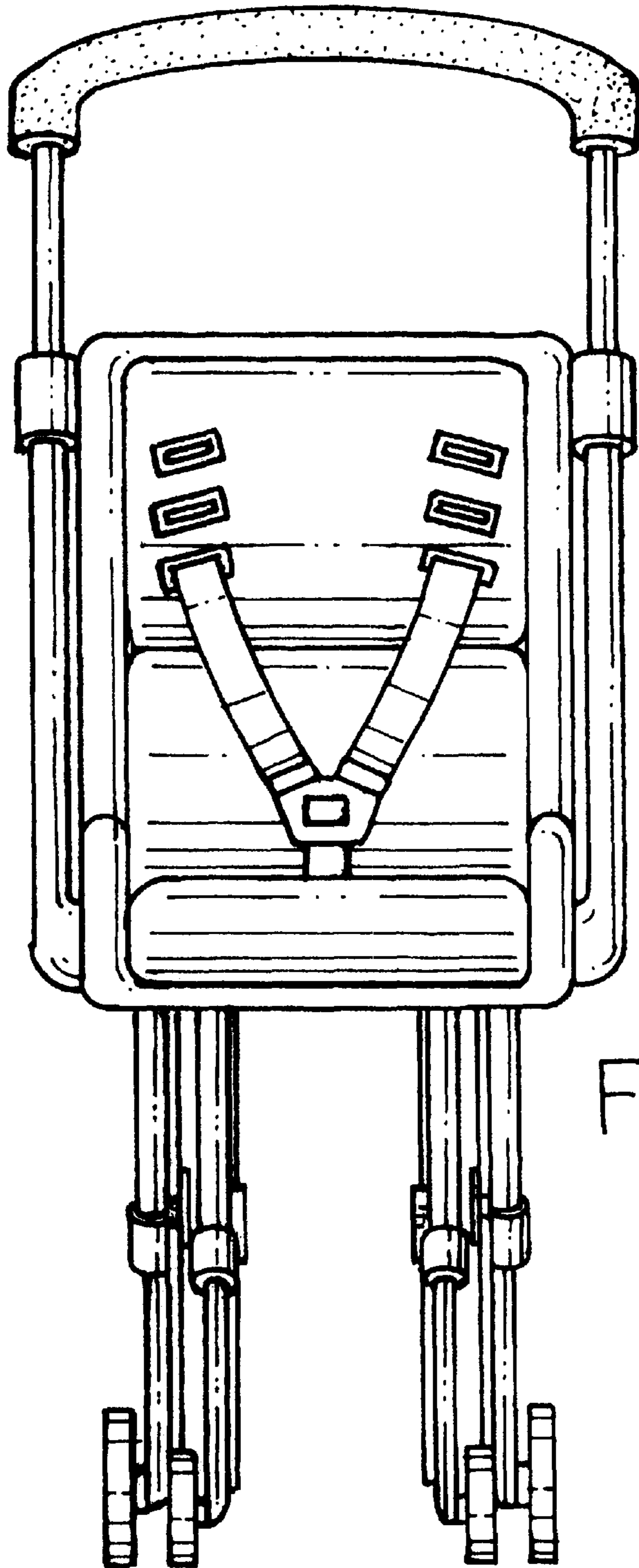


FIG. 2.

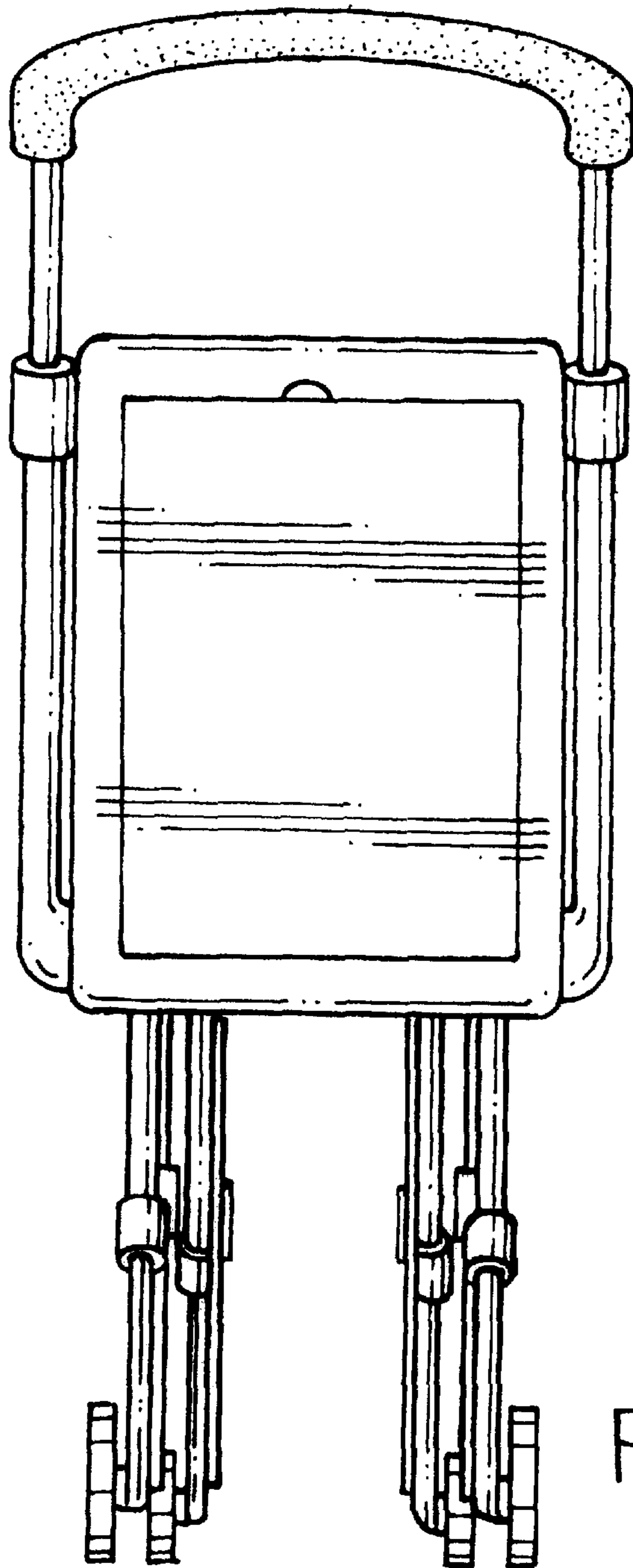


FIG. 3.

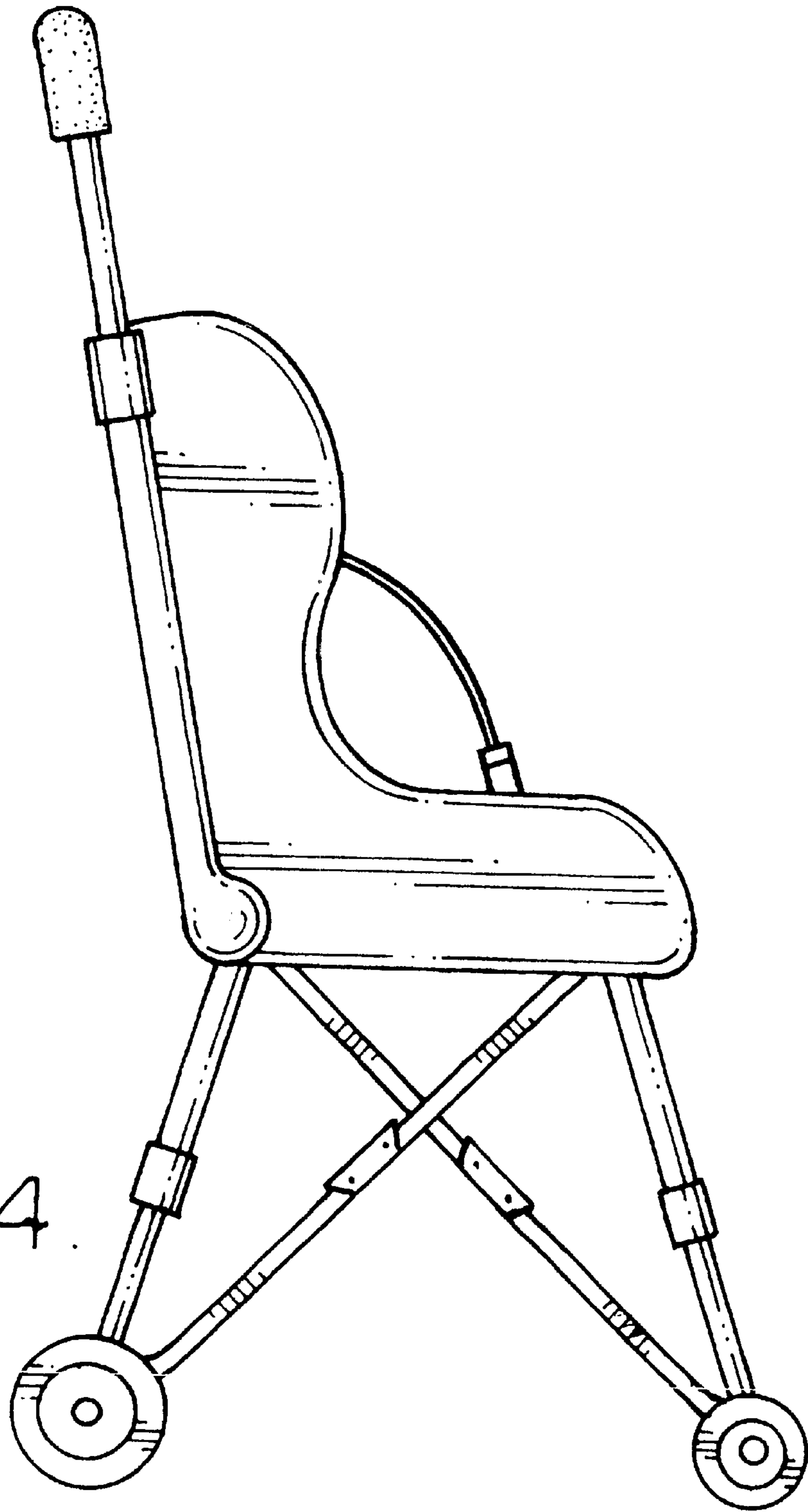


FIG. 4.

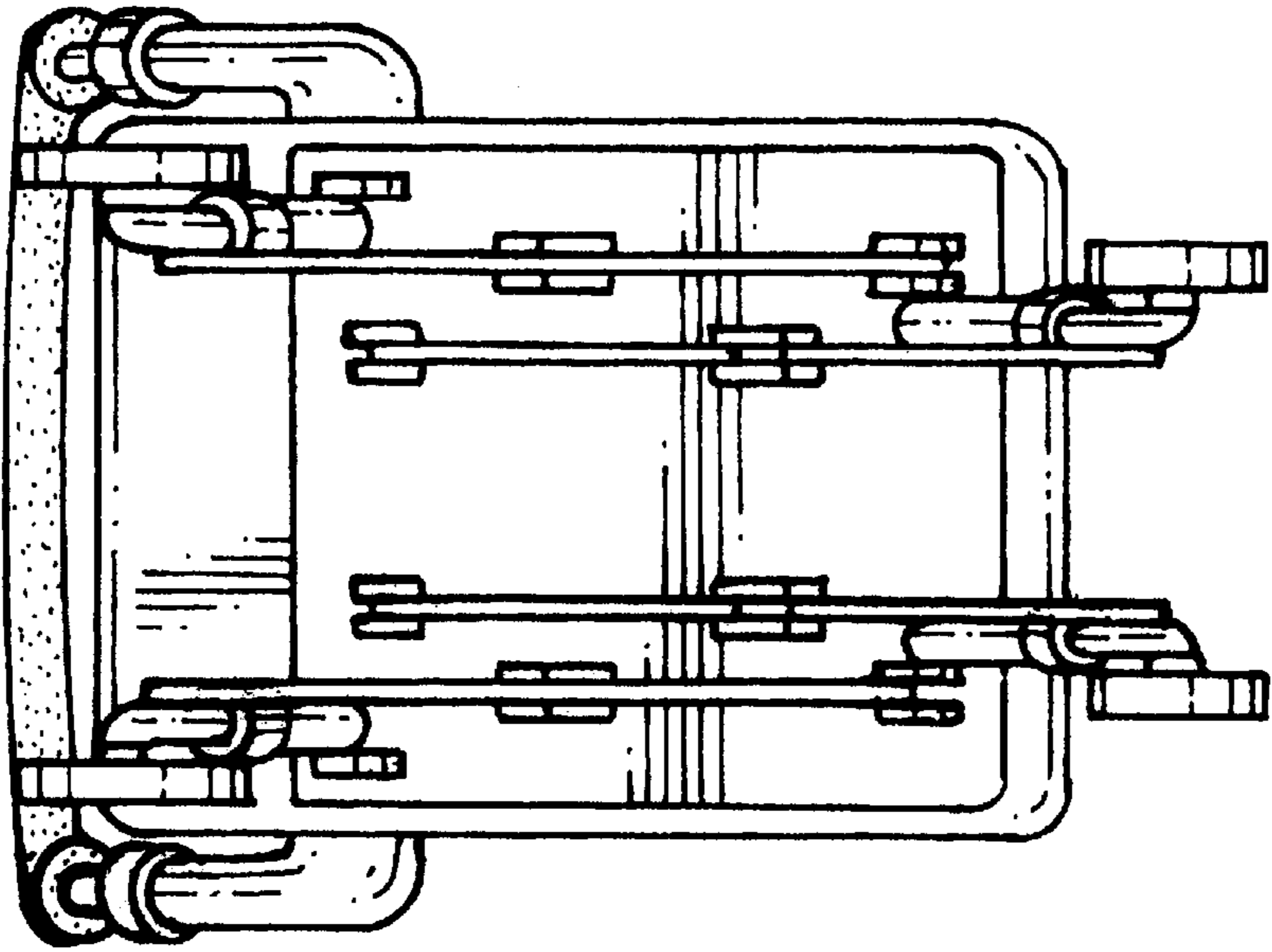


FIG. 5.

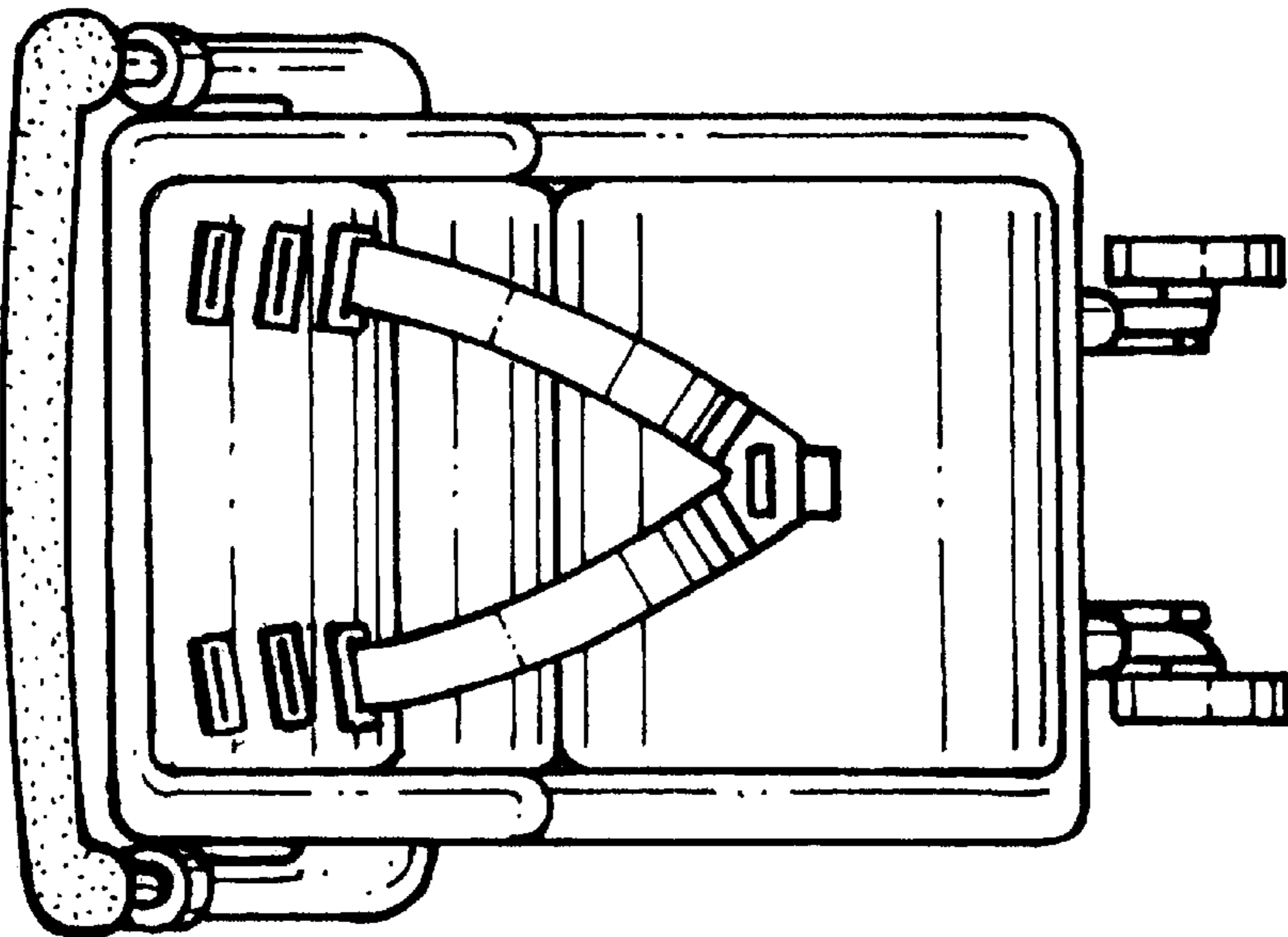


FIG. 6.

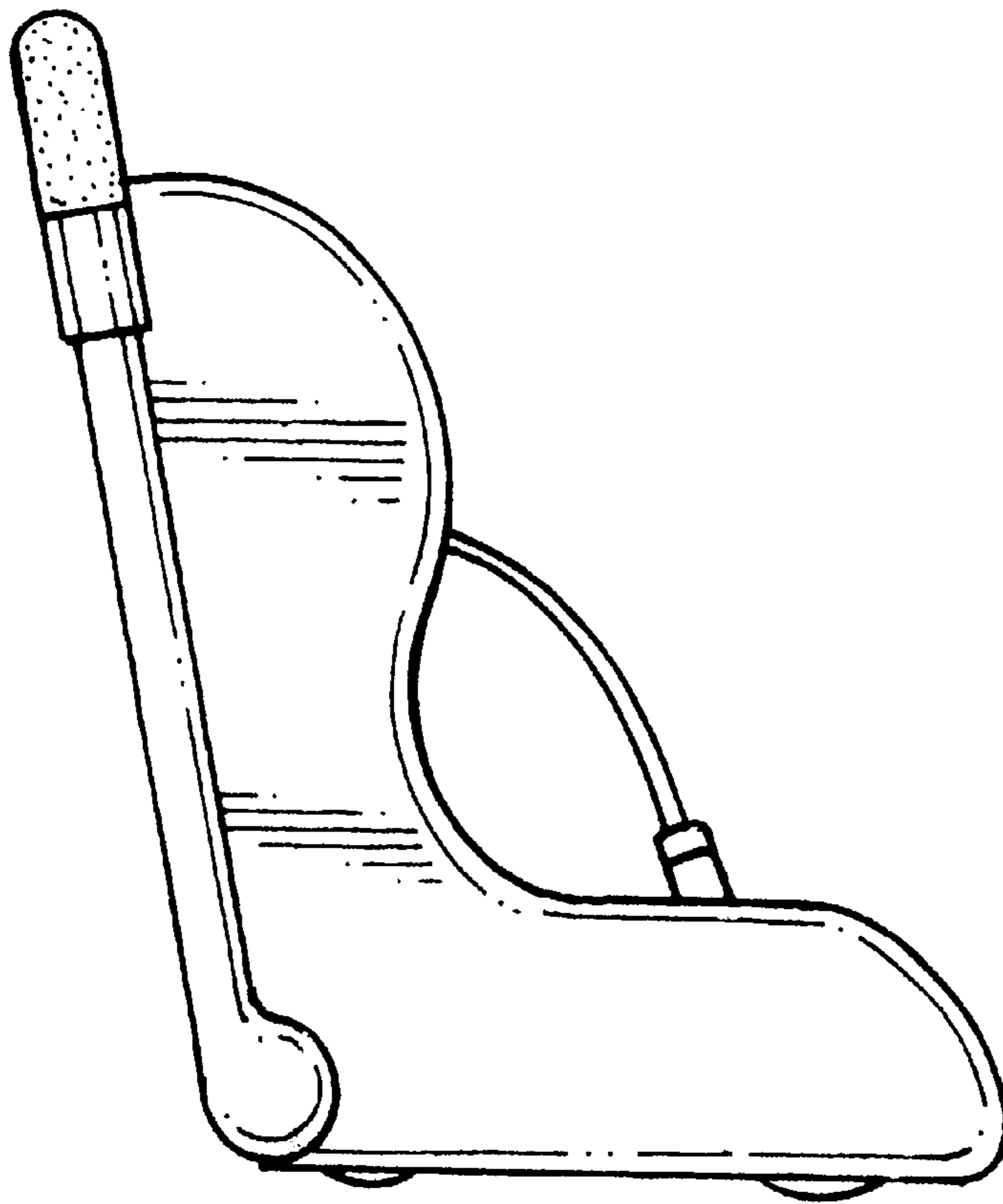


FIG. 7.