



US00D524558S

(12) **United States Design Patent** (10) **Patent No.:** **US D524,558 S**
Fischer (45) **Date of Patent:** **** Jul. 11, 2006**

(54) **CLOTHING HANGER ADAPTER** 4,632,287 A 12/1986 Bevelander 223/98
6,126,049 A 10/2000 Gish 223/96
(76) Inventor: **James R. Fischer**, 1717 Twin Oaks 6,138,880 A 10/2000 Williams 223/98
La., Sheboygan, WI (US) 53083 6,213,359 B1 4/2001 Gish 223/98
D488,309 S 4/2004 Atwood D6/328
(**) Term: **14 Years** D505,020 S * 5/2005 Fischer D6/328
2003/0136806 A1 7/2003 Mainetti 223/85

(21) Appl. No.: **29/231,103**

(22) Filed: **Jun. 1, 2005**

Related U.S. Application Data

(63) Continuation-in-part of application No. 29/165,504, filed on Aug. 12, 2002.

(51) **LOC (8) Cl.** **06-08**

(52) **U.S. Cl.** **D6/328**

(58) **Field of Classification Search** D6/315,
D6/319, 328; 211/4, 123, 124, 162, 175,
211/181.1, 13.1, 85.3; 223/42, 85-98, DIG. 1-4
See application file for complete search history.

(56) **References Cited**

U.S. PATENT DOCUMENTS

1,979,646 A	11/1934	Schneider	223/88
2,023,443 A	12/1935	Rogers	223/88
2,037,325 A	4/1936	Hoehn	223/88
2,106,947 A	2/1938	Hamilton et al.	223/88
2,187,535 A	1/1940	Karnig	223/98
2,221,848 A	11/1940	Ruen	223/88
2,228,918 A	5/1941	Wesselmann	223/86
2,510,043 A	5/1950	Tillery	223/88
2,524,978 A	10/1950	Humphreys	223/88
2,591,163 A	4/1952	Kivett	223/92
2,641,391 A	6/1953	Tillery	223/88
2,710,124 A	6/1955	Laumeyer	223/88
2,866,583 A	12/1958	Batts	223/88
3,512,228 A	5/1970	Carvell	206/409
3,950,829 A	4/1976	Cohen	211/124
3,963,155 A	6/1976	Bish	223/88
4,454,969 A	6/1984	Huth	223/96

* cited by examiner

Primary Examiner—Nanda Bondade
Assistant Examiner—Shanda C. Hill
(74) *Attorney, Agent, or Firm*—Jeffery S. Sokol; Cook & Frankie S.C.

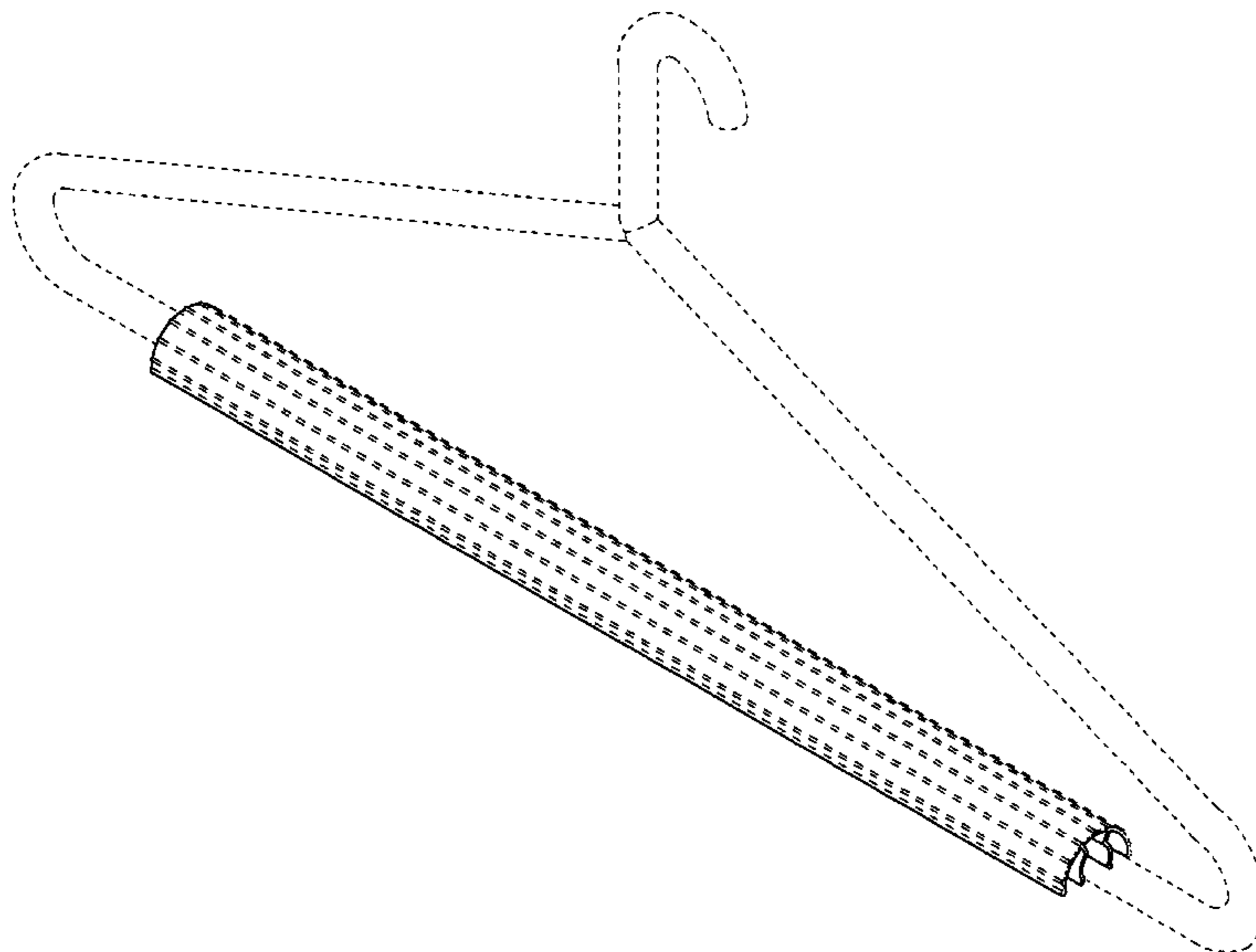
(57) **CLAIM**

The ornamental design of a clothing hanger adapter, as shown and described.

DESCRIPTION

FIG. 1 is a reduced perspective view of a clothing hanger adapter showing my new design;
FIG. 2 is a reduced perspective view of FIG. 1, shown in alternate position;
FIG. 3 is a top plan view thereof;
FIG. 4 is a front elevational view thereof, the opposite view being a mirror image;
FIG. 5 is an end elevational view thereof, the opposite view being a mirror image;
FIG. 6 is an end elevational view of FIG. 5, shown in an alternate position, the opposite view being a mirror image;
FIG. 7 is an end elevational view of FIG. 5, shown in another alternate position, the opposite view being a mirror image;
and,
FIG. 8 is a bottom plan view thereof.
The broken lines shown in the drawing disclosure are for illustrative purposes only and form no portion of the claimed design.

1 Claim, 4 Drawing Sheets



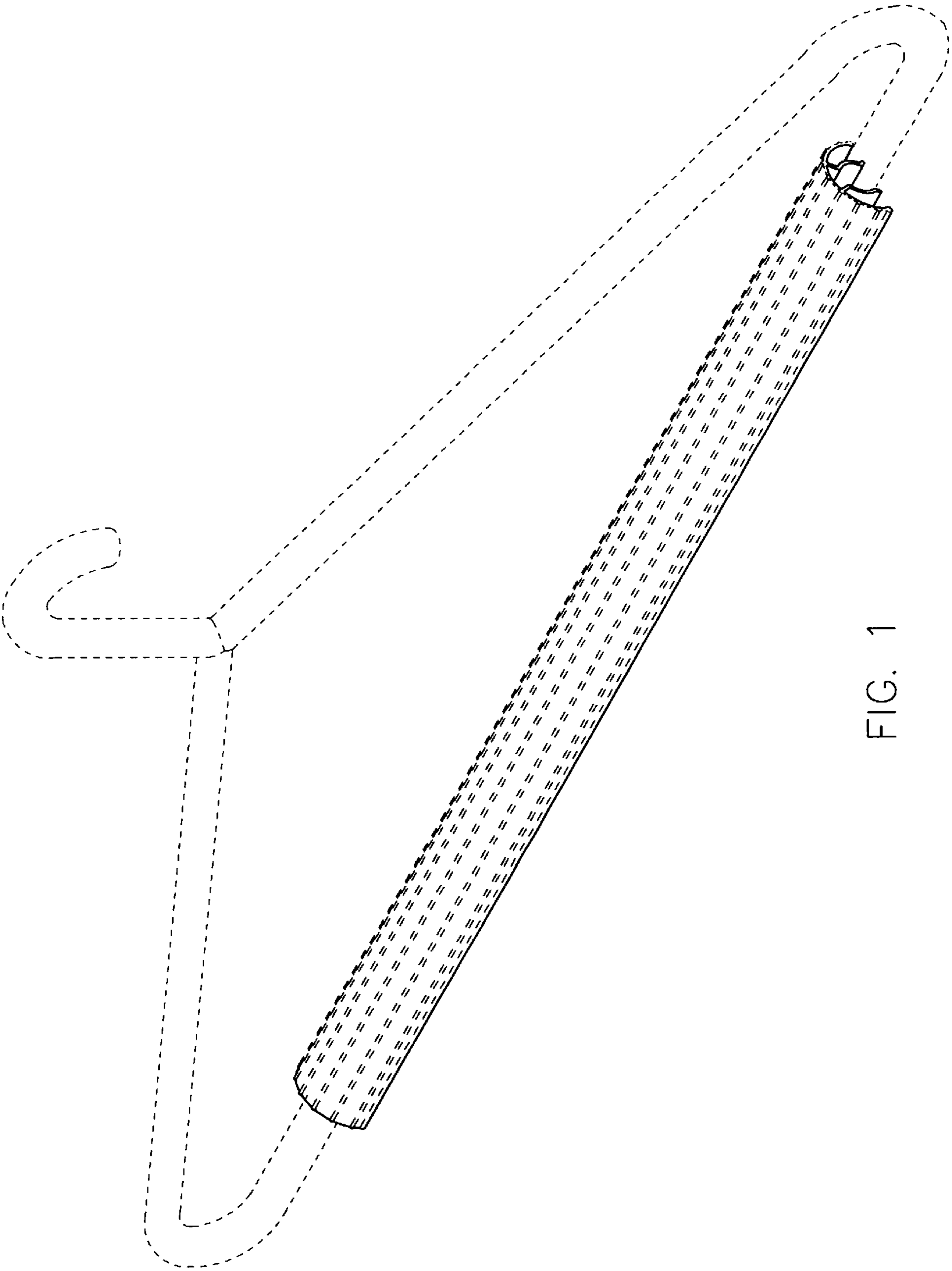


FIG. 1

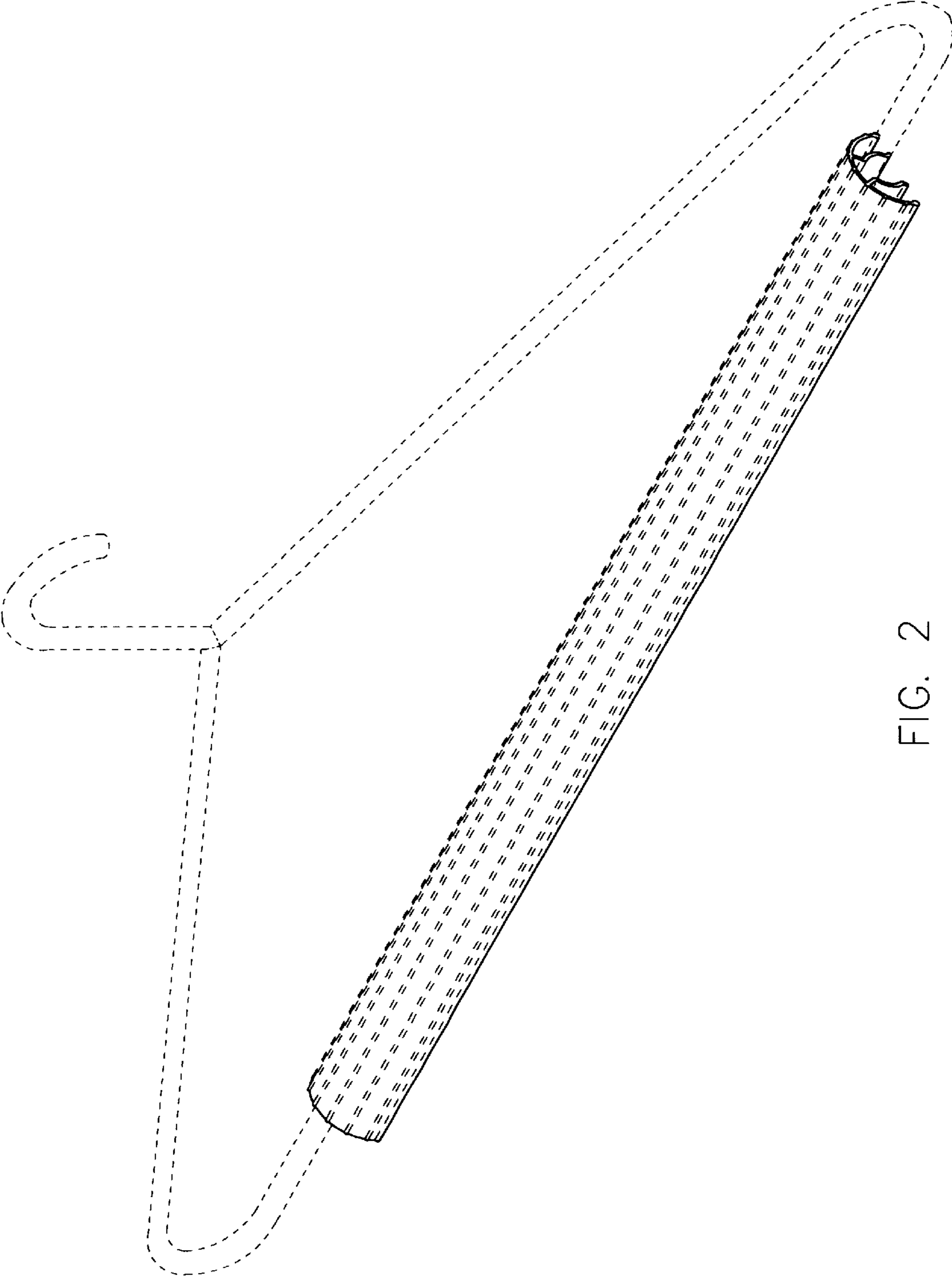


FIG. 2

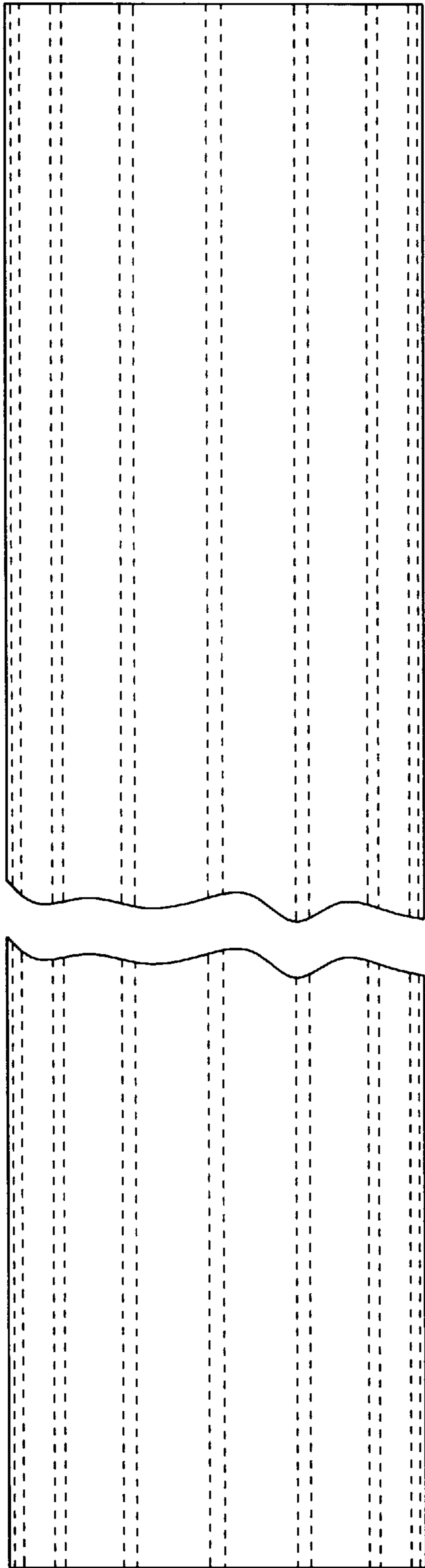


FIG. 3

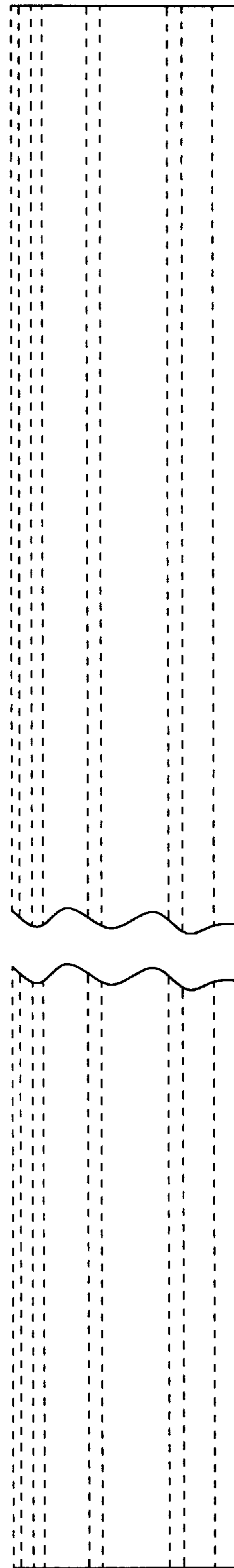


FIG. 4

FIG. 5

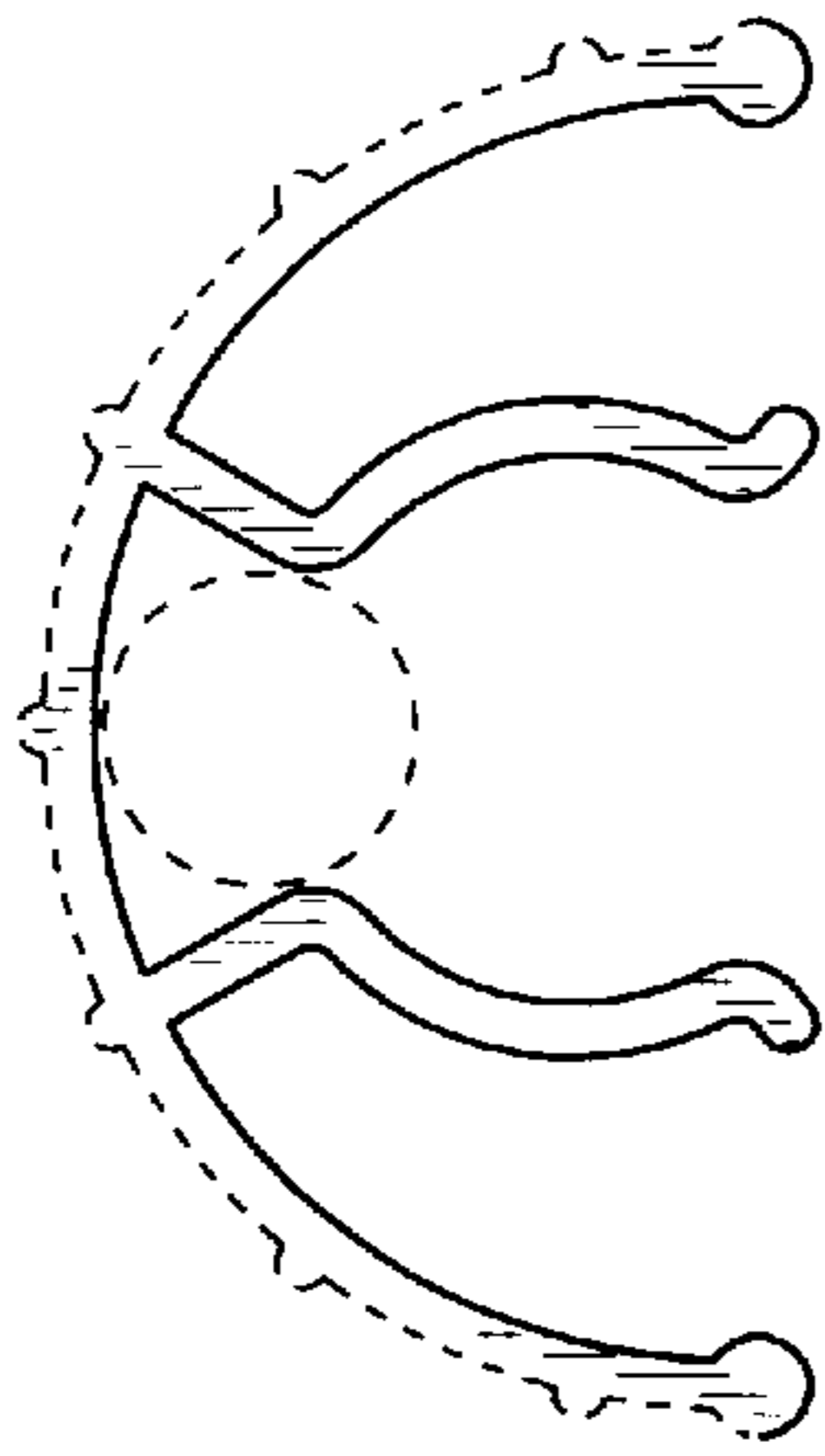


FIG. 6

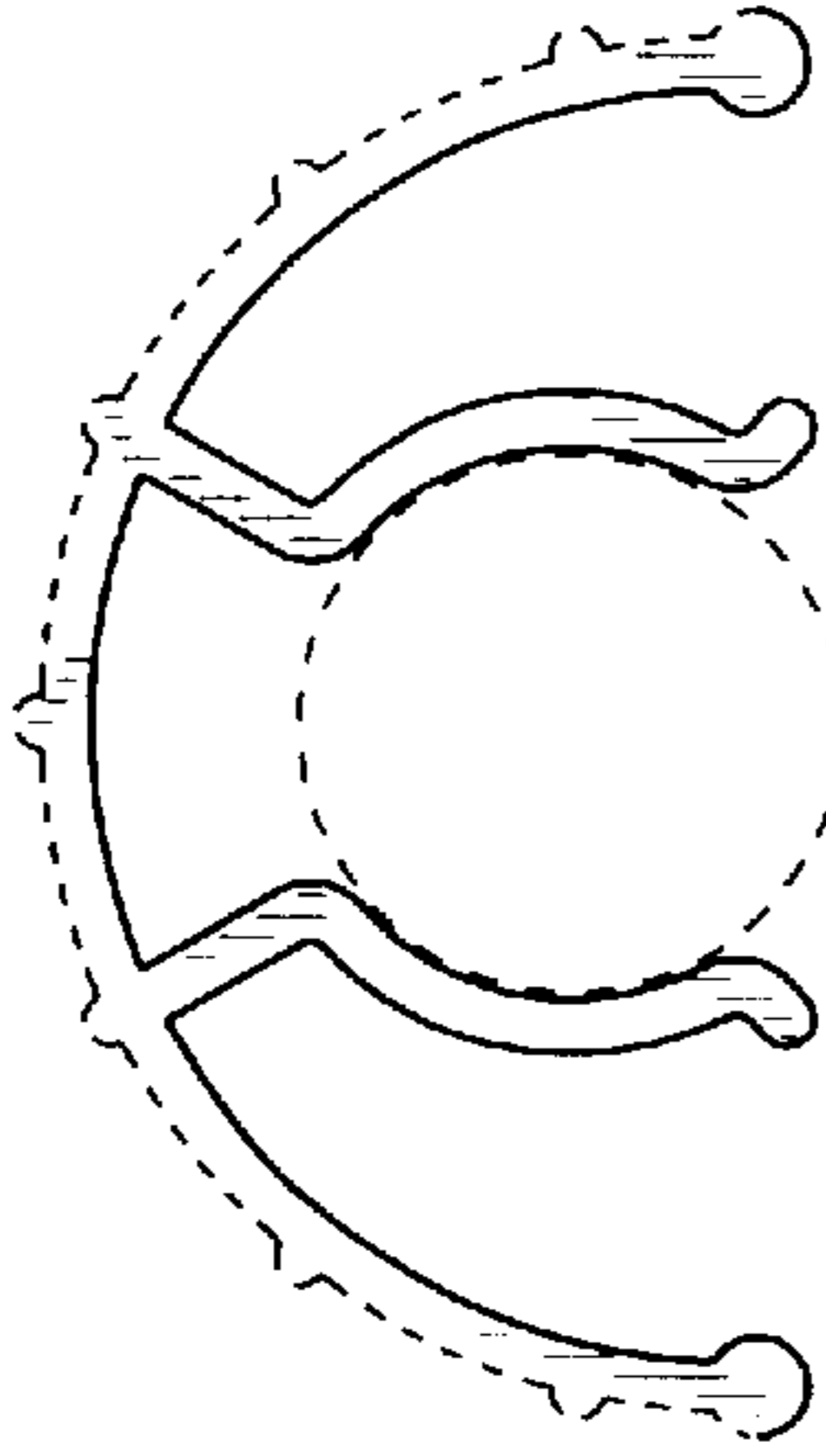


FIG. 7

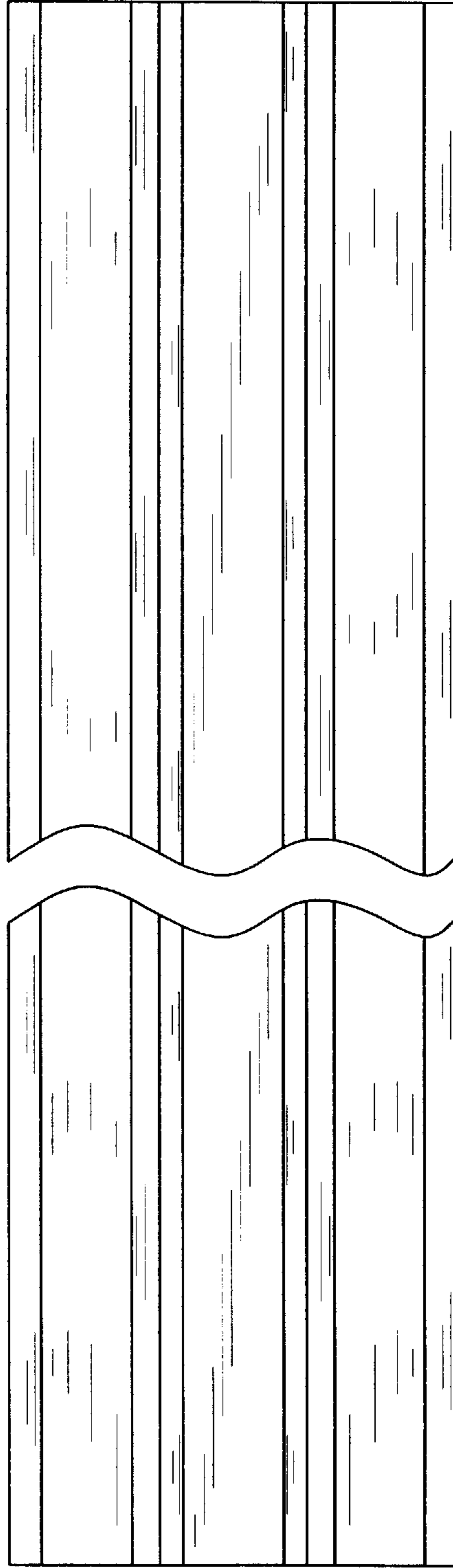
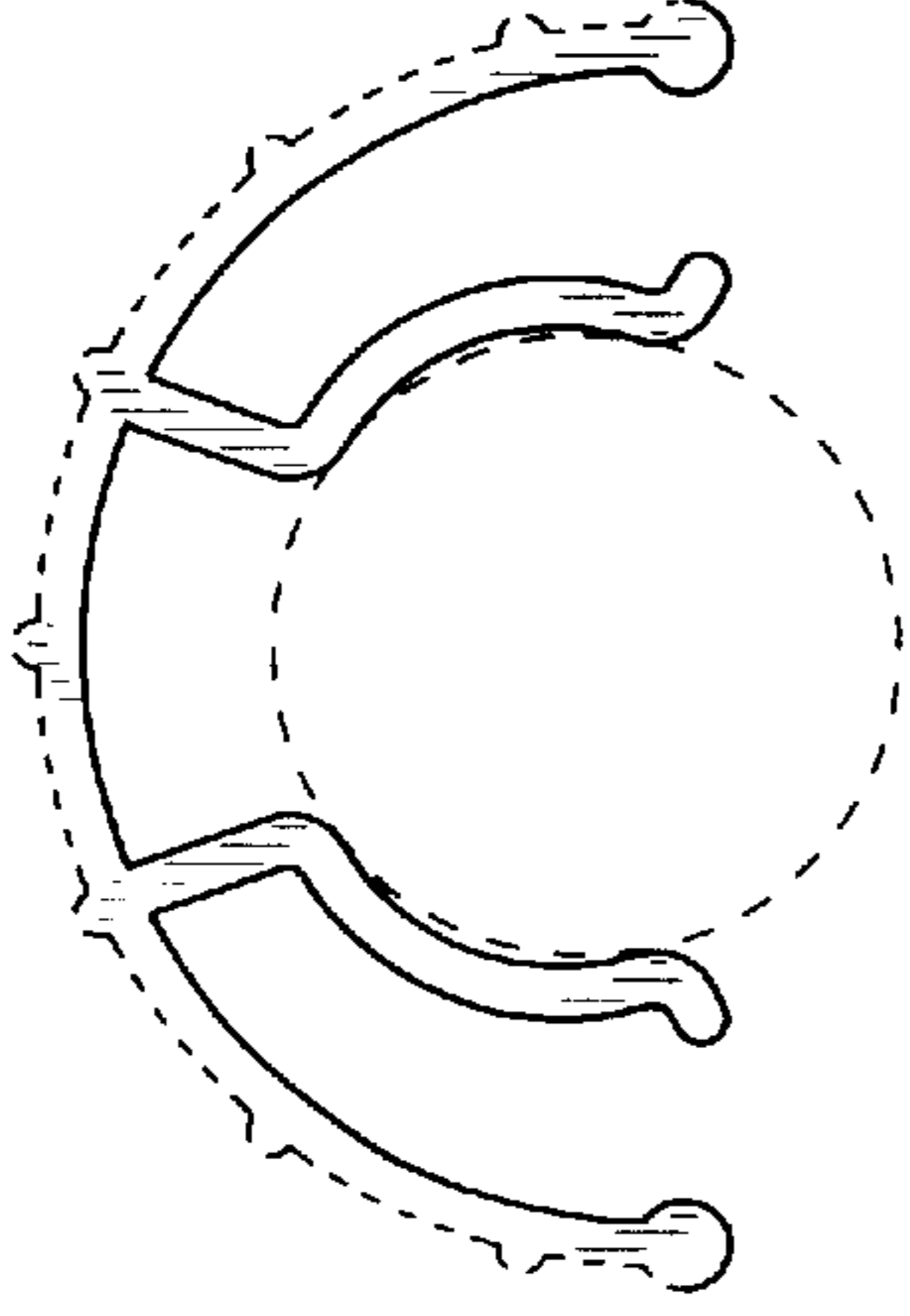


FIG. 8