

US00D524555S

(12) **United States Design Patent**
Mohundro

(10) **Patent No.:** **US D524,555 S**

(45) **Date of Patent:** **** Jul. 11, 2006**

(54) **MIRROR**

(76) **Inventor:** **James Glenn Mohundro**, 3F-4 No.
161, Kung-I Road, Taichung (TW), 403

(**) **Term:** **14 Years**

(21) **Appl. No.:** **29/224,886**

(22) **Filed:** **Mar. 9, 2005**

(51) **LOC (8) Cl.** **06-07**

(52) **U.S. Cl.** **D6/300**

(58) **Field of Classification Search** D6/300-314;
40/700, 717, 735, 738, 739, 790, 786, 798;
D8/350-353; D28/64.1, 64.3

See application file for complete search history.

(56) **References Cited**

U.S. PATENT DOCUMENTS

- D384,821 S * 10/1997 Sugar D6/300
- D384,823 S * 10/1997 Sugar et al. D6/300
- D415,355 S * 10/1999 Lewis D6/300

- D424,812 S * 5/2000 Kacius D6/300
- D433,573 S * 11/2000 Rochon D6/308

* cited by examiner

Primary Examiner—Antoine Duval Davis

Assistant Examiner—Sydney R. Buffalow

(74) *Attorney, Agent, or Firm*—Thomas & Thomas

(57) **CLAIM**

The ornamental design for a mirror, as shown and described.

DESCRIPTION

FIG. 1 is a perspective view of a mirror, showing my new design;

FIG. 2 is a front elevational view thereof;

FIG. 3 is a rear elevational view thereof;

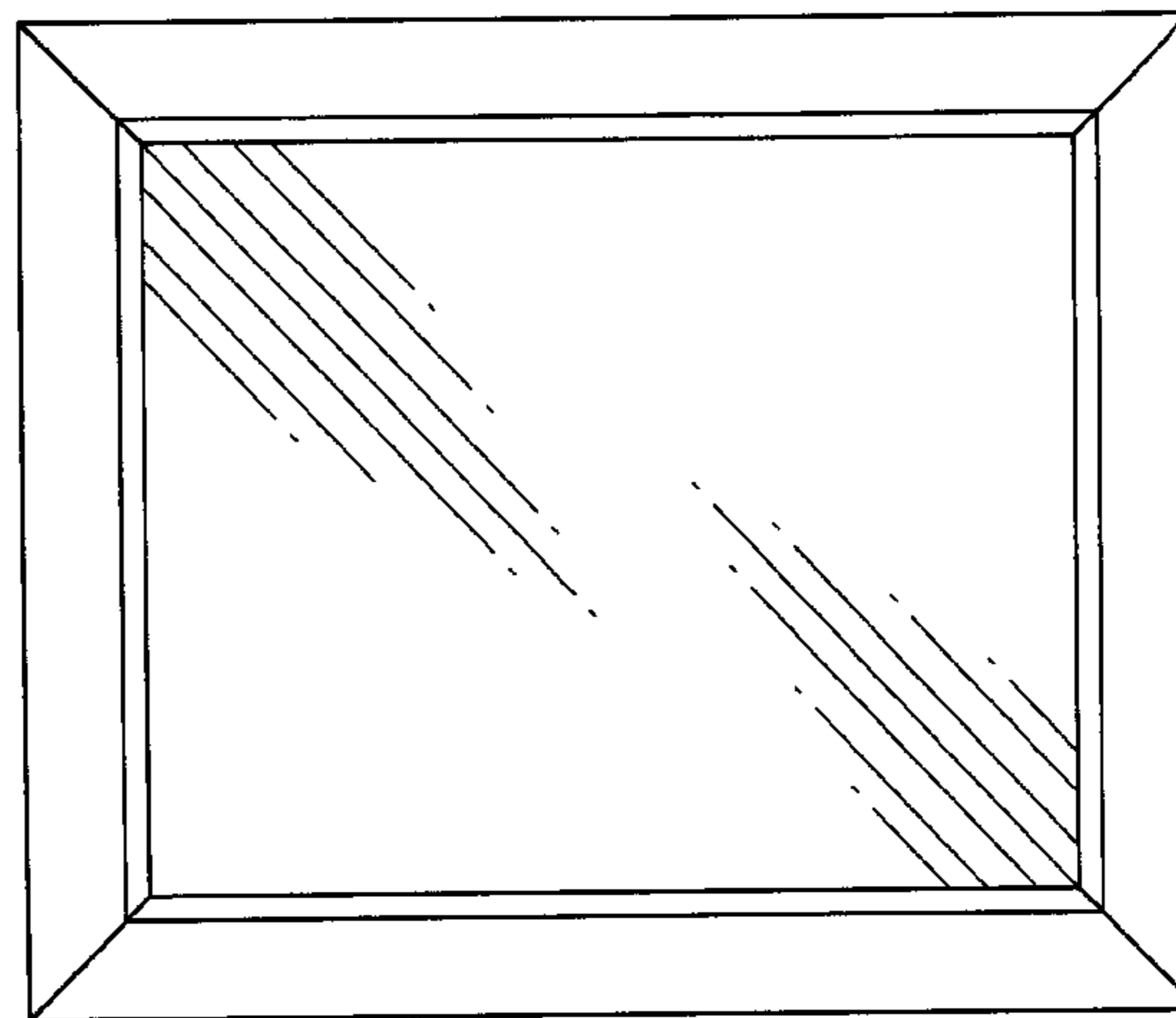
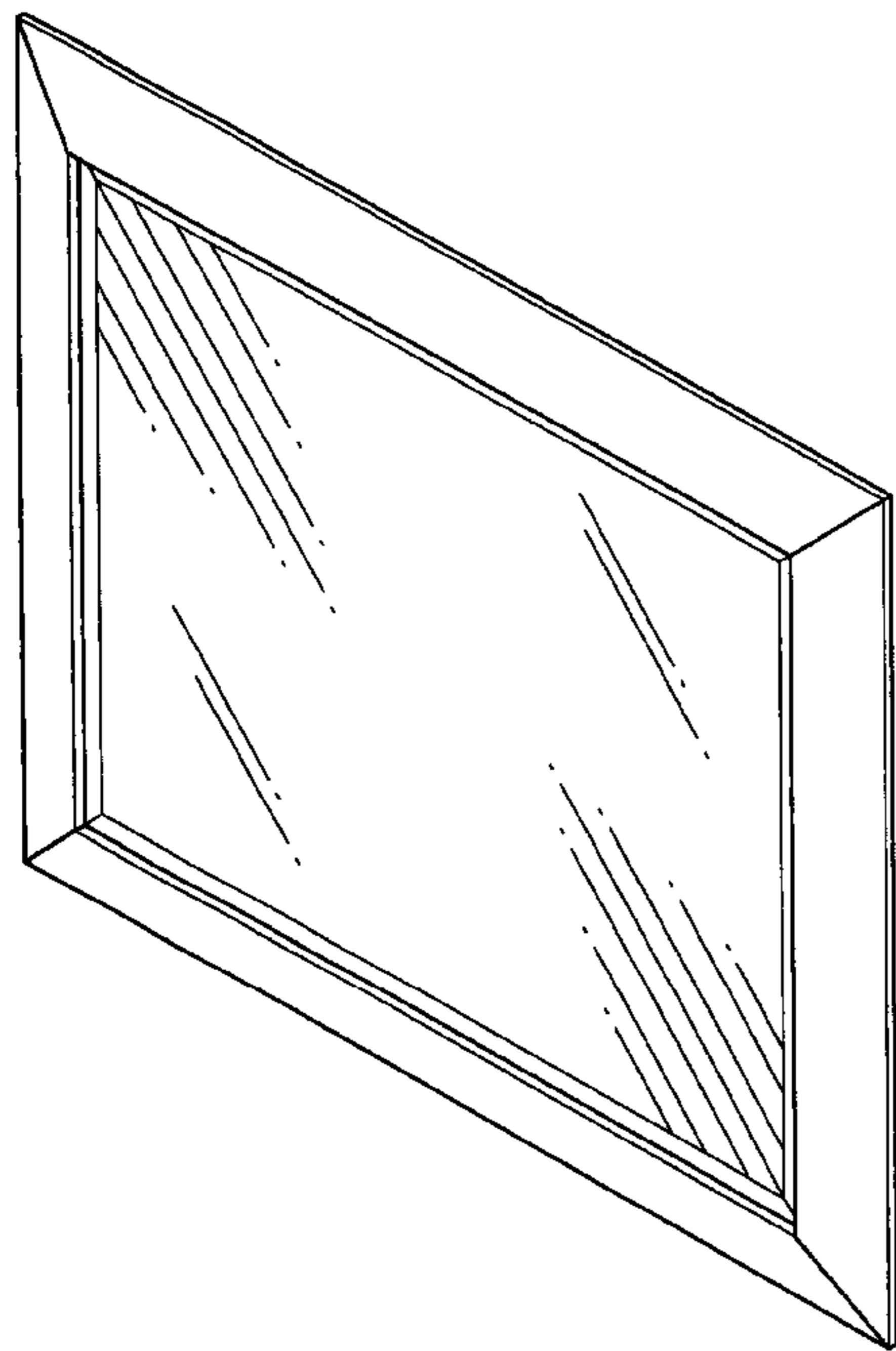
FIG. 4 is a left elevational view thereof; and

FIG. 5 is a right elevational view thereof;

FIG. 6 is a top plan view thereof; and,

FIG. 7 is a bottom plan view thereof.

1 Claim, 5 Drawing Sheets



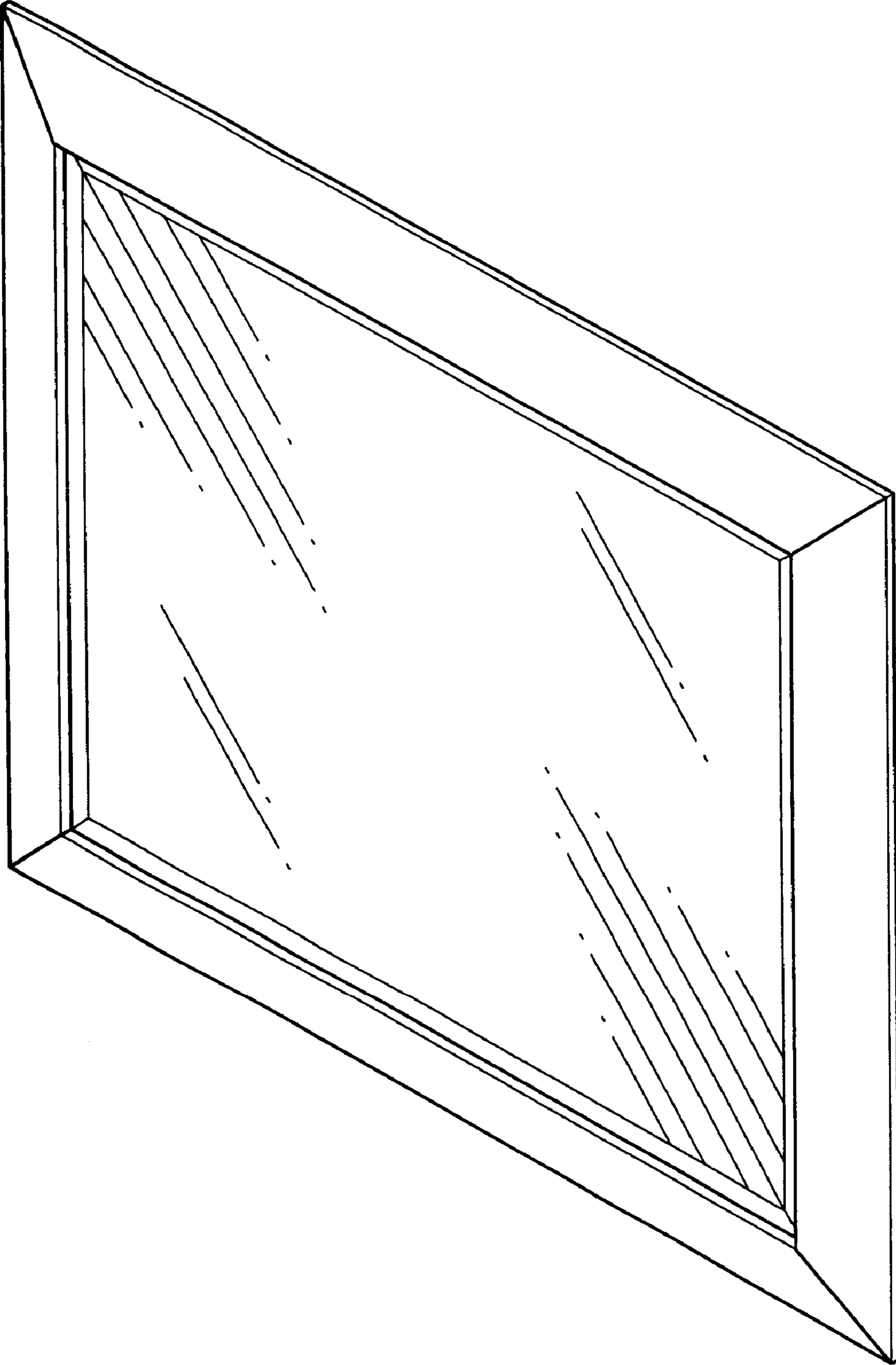


FIG.1

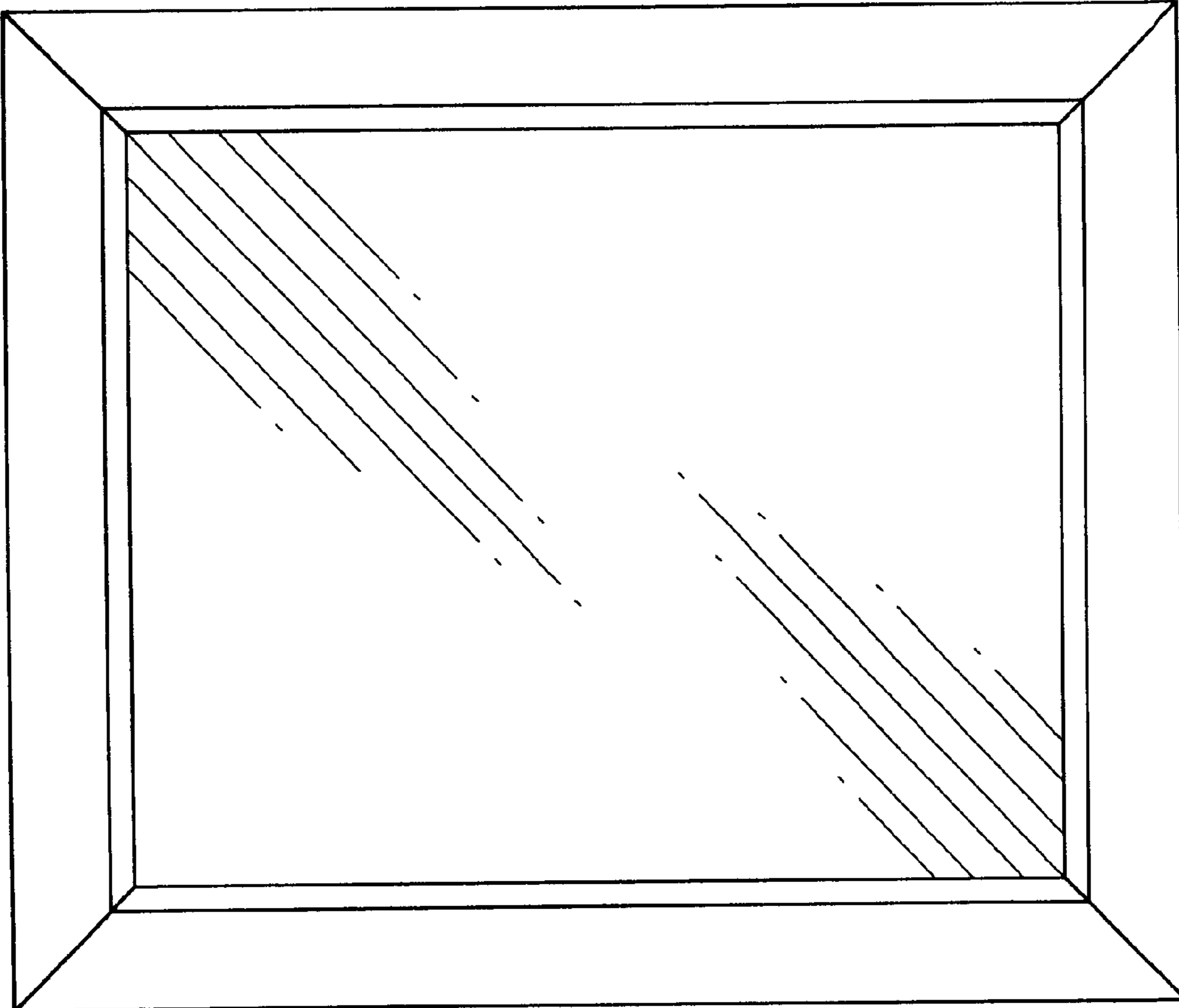


FIG.2

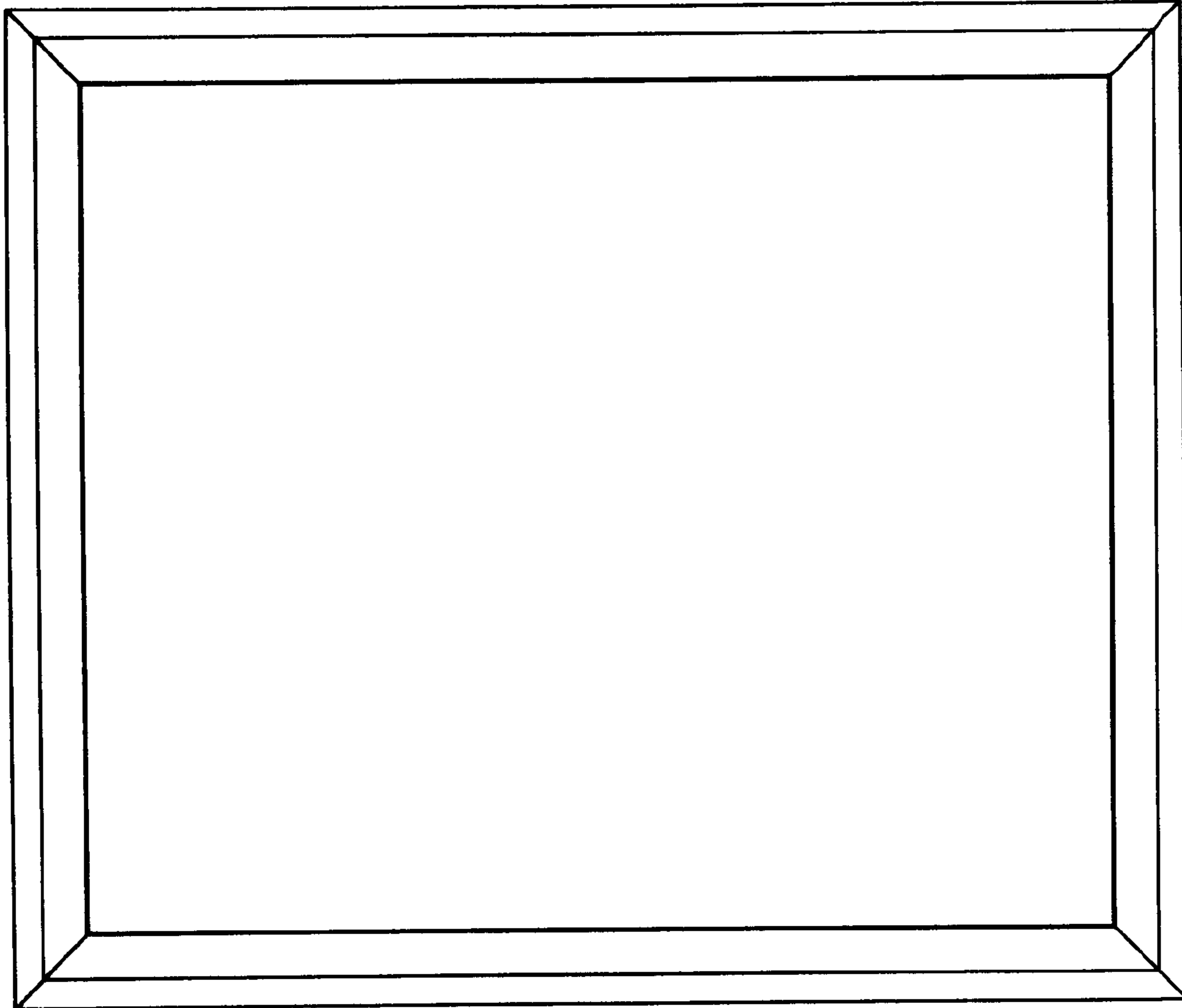


FIG.3

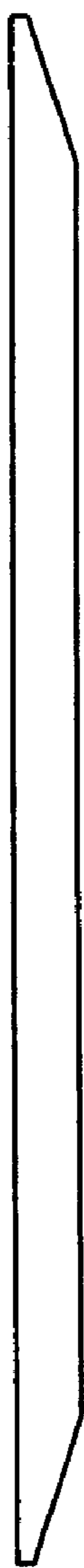


FIG. 4

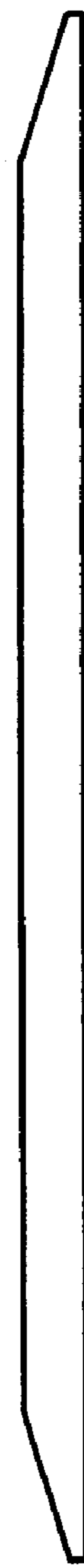


FIG. 5



FIG. 6



FIG. 7