

US00D524551S

(12) **United States Design Patent**
Gartner

(10) **Patent No.:** **US D524,551 S**

(45) **Date of Patent:** **** Jul. 11, 2006**

(54) **PAD PAINTER**

5,823,862 A * 10/1998 Heidelberger 451/344
6,305,043 B1 * 10/2001 Rosnak 15/210.1 X

(75) Inventor: **Perry Gartner**, Englewood, NJ (US)

OTHER PUBLICATIONS

(73) Assignee: **Brenner International Corp.**,
Englewood, NJ (US)

WIPO DM/050961 Industrial Design Application, (La Ter-
moplastique F.B.M S.R.L.) Jan. 24, 2000, [online], [retrieved
on May 16, 2005] Retrieved from the Hague Express
Database of WIPO Intellectual Property Digital Library
using Internet <URL:www.wipo.int/ipdl>.*

(**) Term: **14 Years**

* cited by examiner

(21) Appl. No.: **29/238,145**

(22) Filed: **Sep. 12, 2005**

Primary Examiner—Robin Webster

Assistant Examiner—Lavone D. Tabor

(74) *Attorney, Agent, or Firm*—Richard A. Joel, Esq.

Related U.S. Application Data

(62) Division of application No. 29/198,294, filed on Jan. 27,
2004.

(51) **LOC (8) Cl.** **04-04**

(52) **U.S. Cl.** **D4/137; D4/138; D32/52**

(58) **Field of Classification Search** D4/137,
D4/138, 199; D8/90, 94; D32/52; 15/104.93,
15/104.94, 143.1, 209.1, 210.1, 229.11, 229.12,
15/235.4, 244.1; 451/344, 490, 540, 523–525
See application file for complete search history.

(57) **CLAIM**

The ornamental design for a pad painter, as shown and
described.

DESCRIPTION

FIG. 1 is a front perspective view of the invention;

FIG. 2 is a rear perspective view of the invention;

FIG. 3 is a front view of the invention;

FIG. 4 is a top view of the invention;

FIG. 5 is a rear view of the invention; and,

FIG. 6 is a side view of the invention.

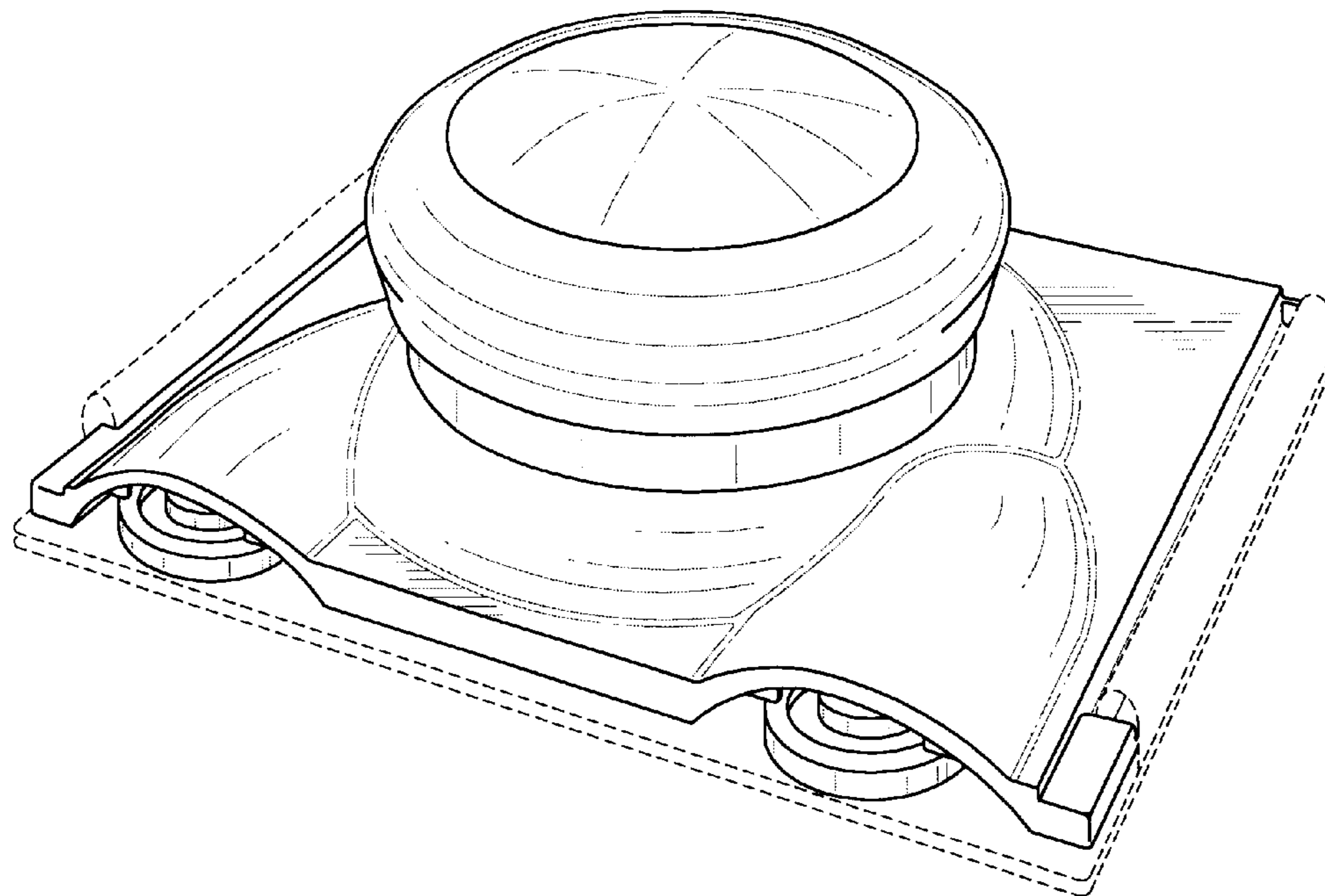
The broken line showing in FIGS. 1–6 is for illustrative
purposes only and forms no part of the claimed design.

(56) **References Cited**

U.S. PATENT DOCUMENTS

227,438 A * 5/1880 Lothrop 451/524 X
2,810,148 A * 10/1957 Wood, Jr. 15/210.1
3,708,821 A * 1/1973 Chase et al. 15/210.1
5,678,277 A * 10/1997 Sorenson 15/210.1

1 Claim, 3 Drawing Sheets



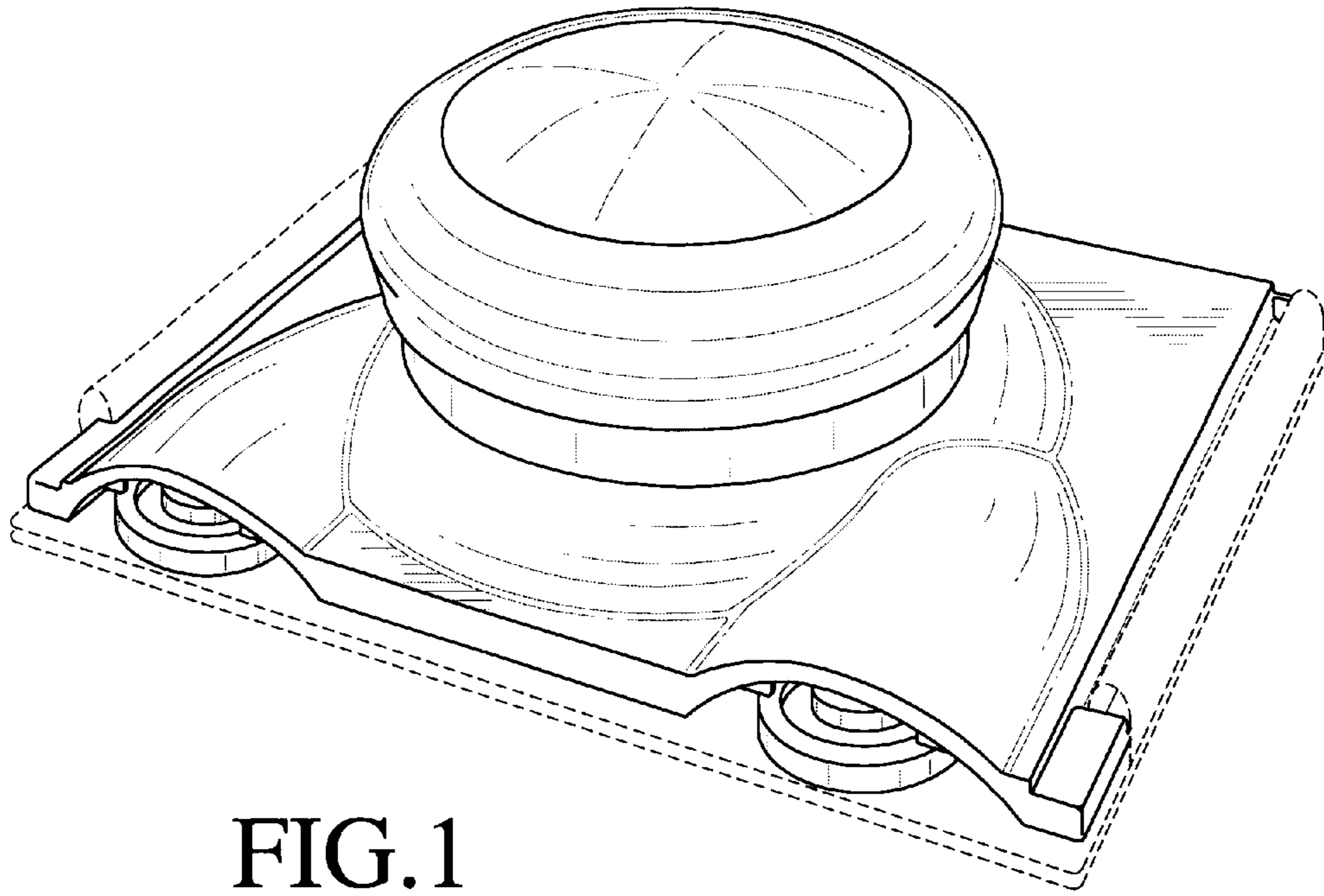


FIG. 1

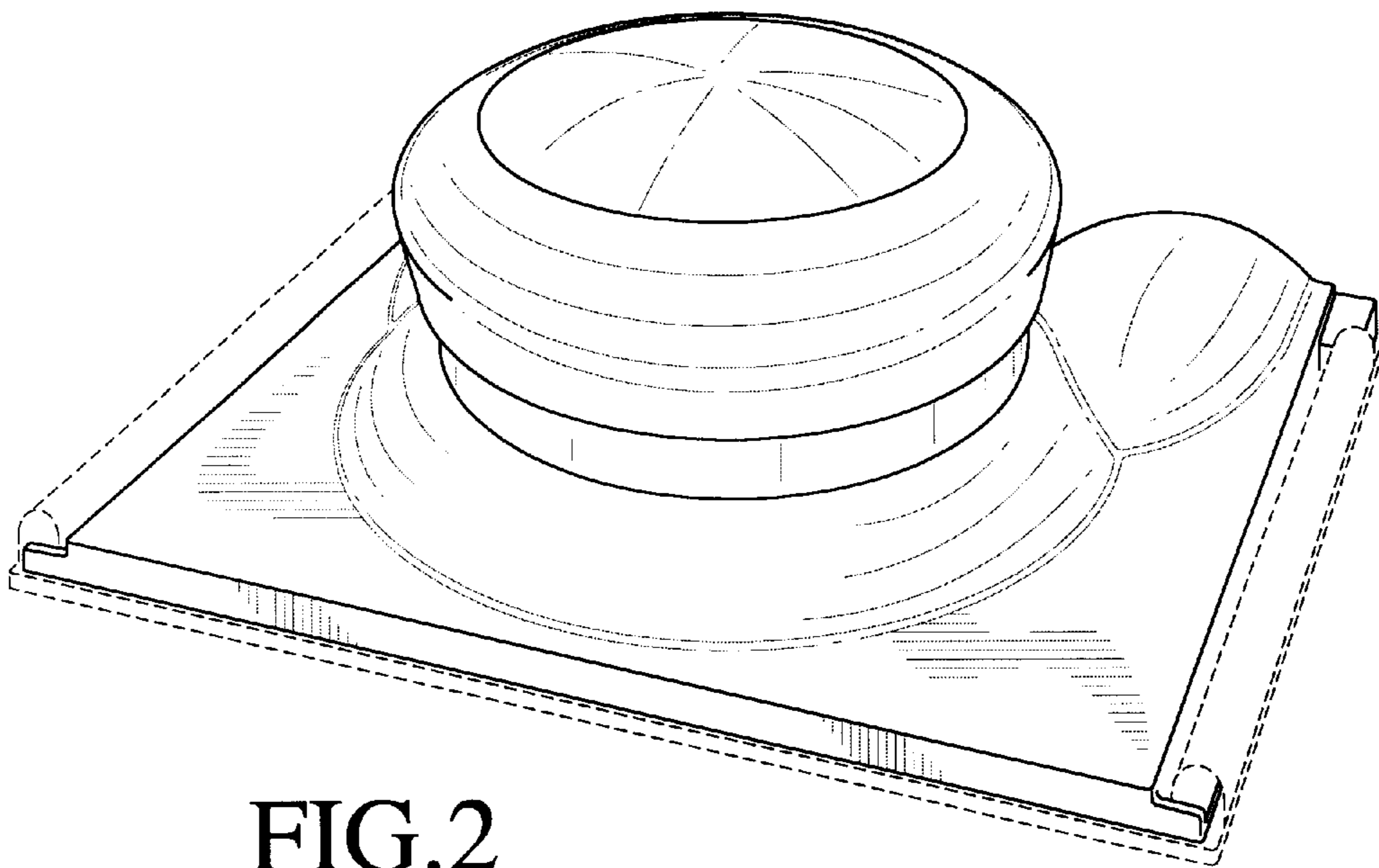


FIG. 2

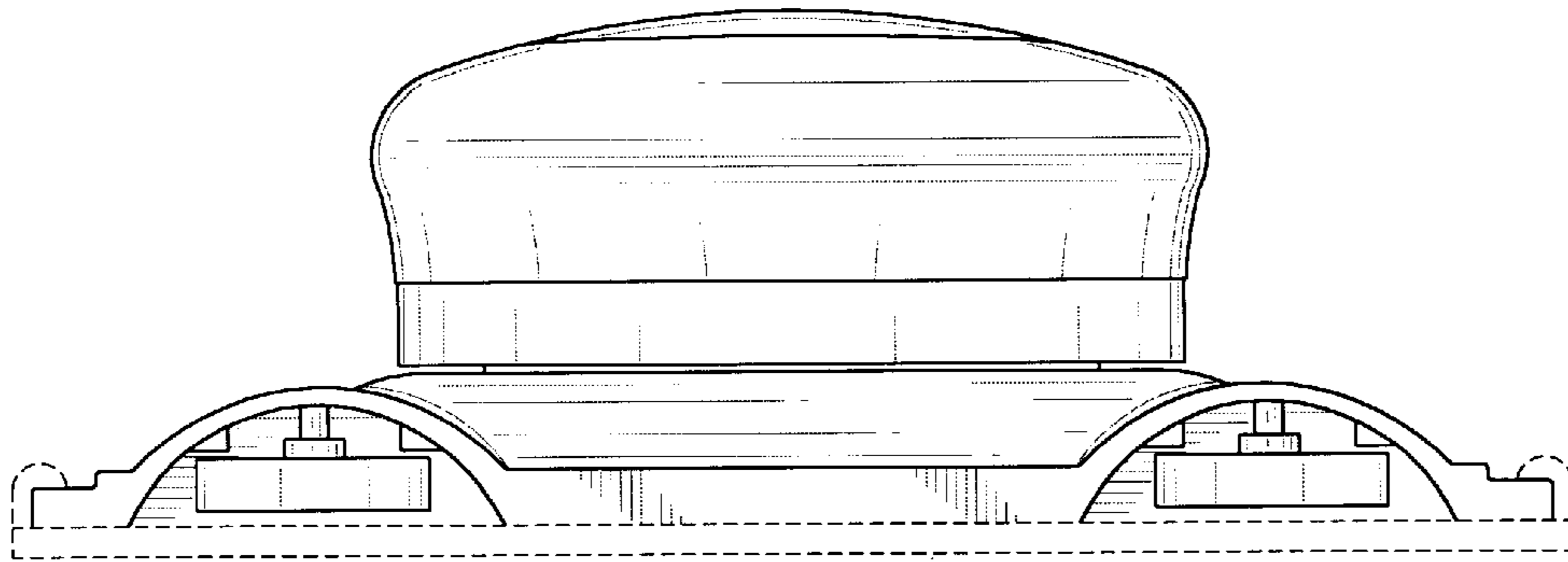
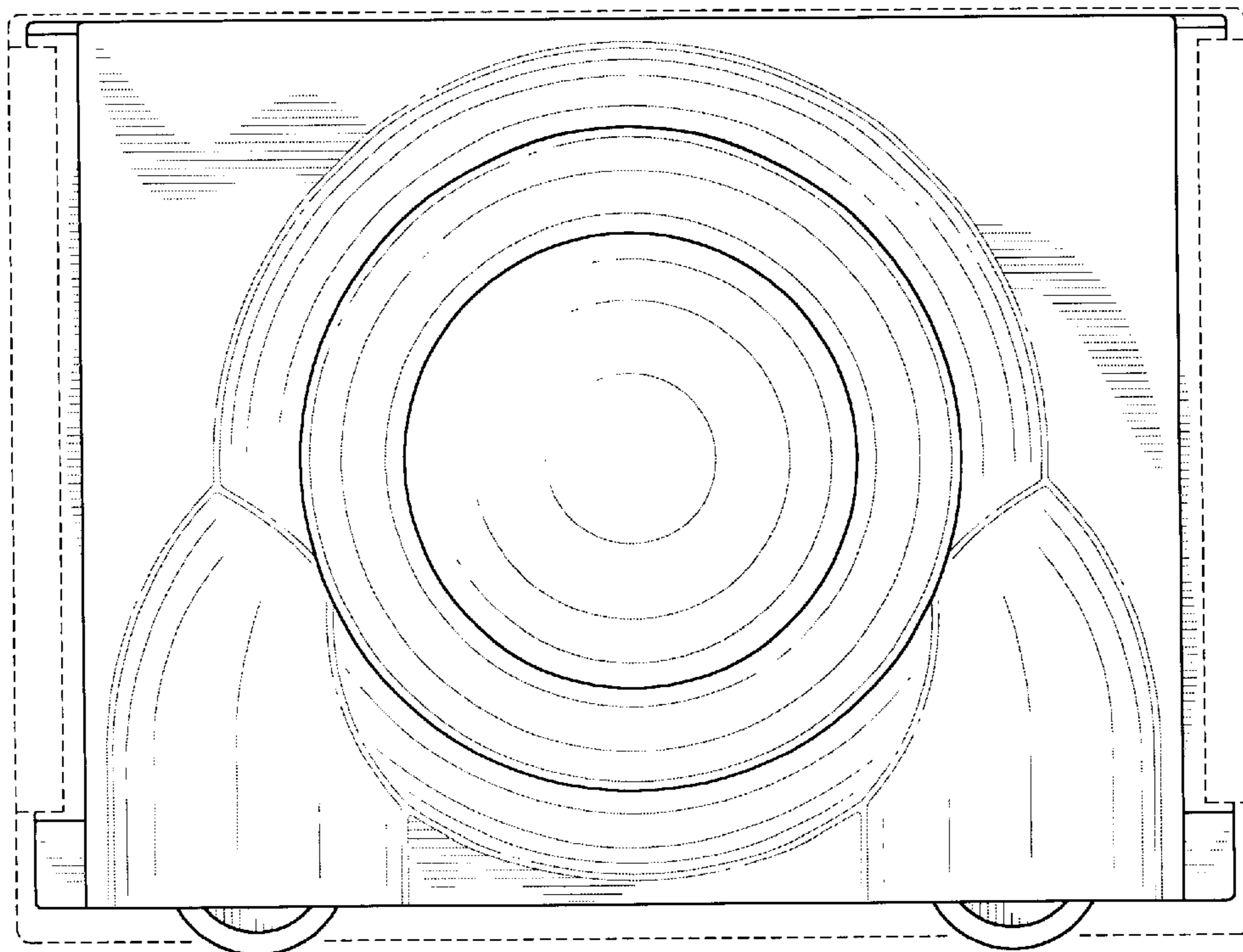


FIG. 3

FIG. 4



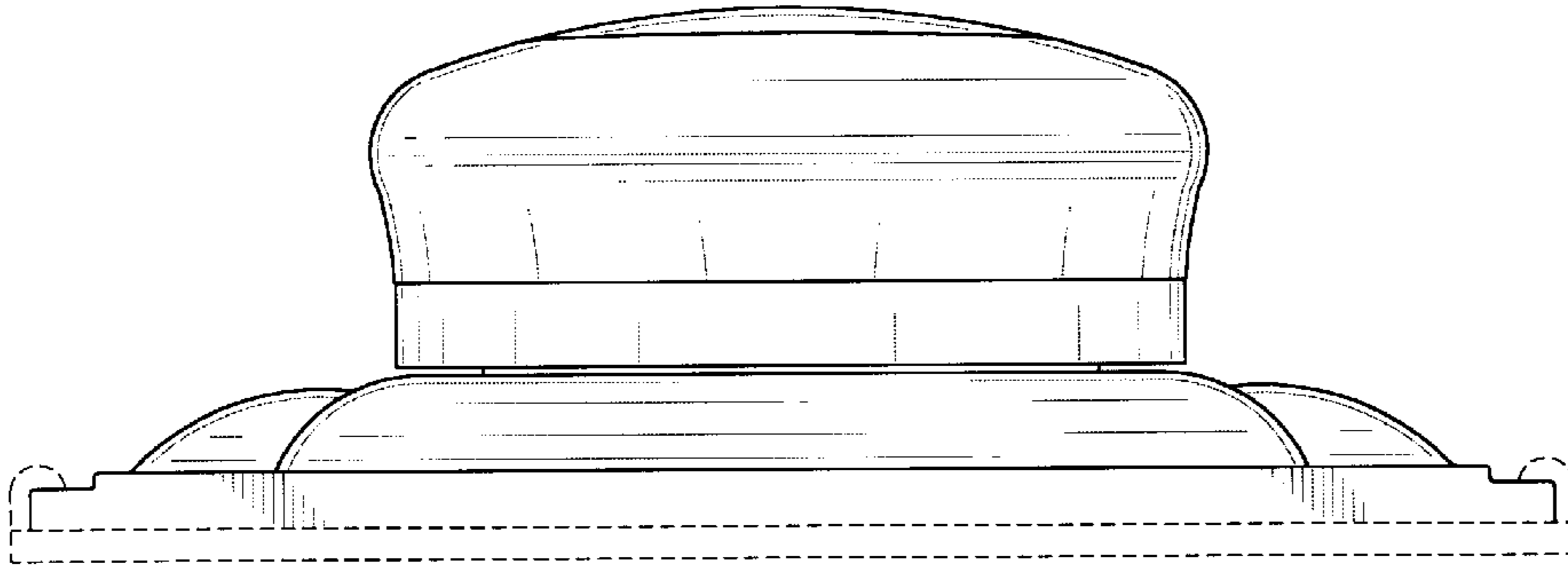


FIG.5

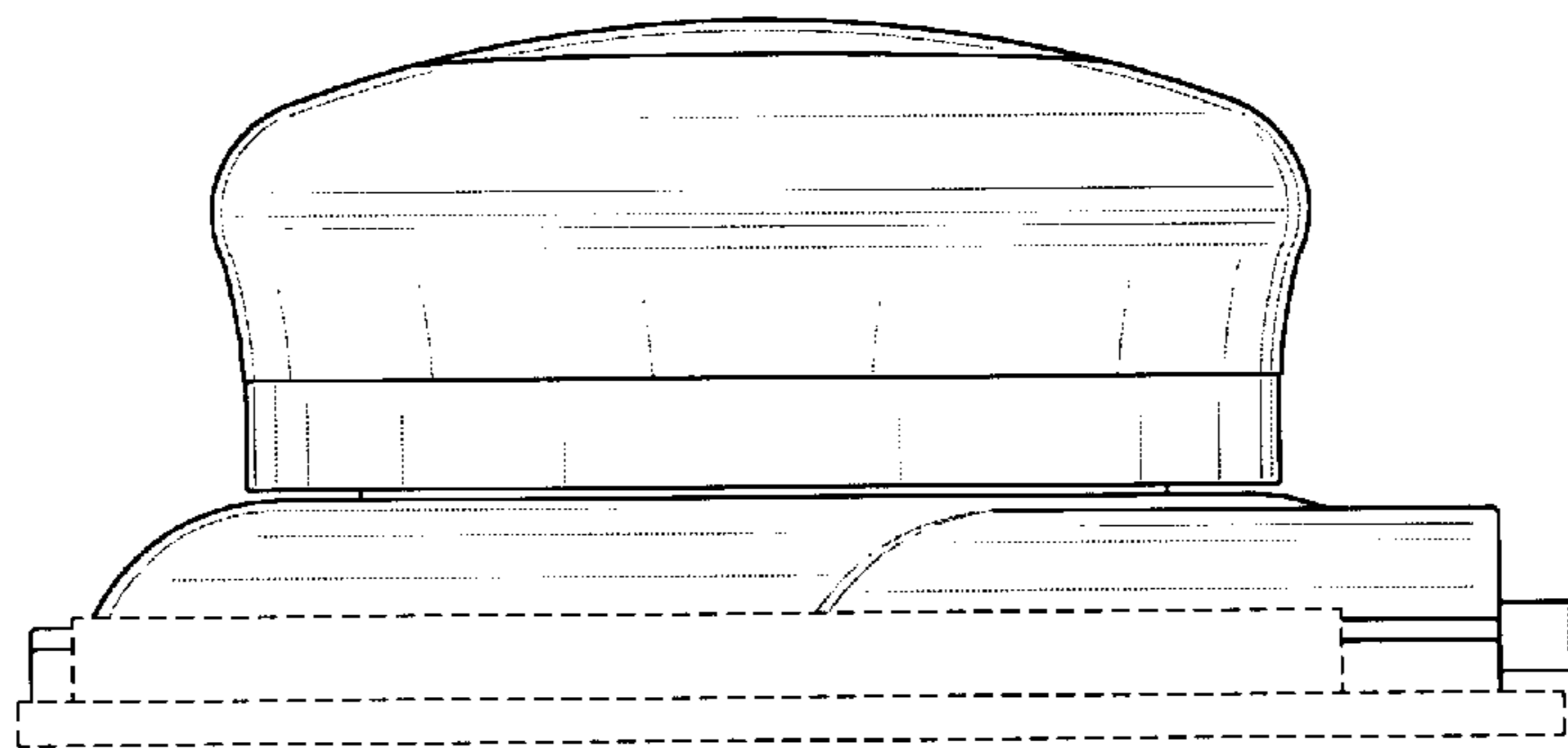


FIG.6