



US00D524546S

(12) **United States Design Patent**
Ajluni et al.

(10) **Patent No.:** **US D524,546 S**

(45) **Date of Patent:** **** Jul. 11, 2006**

(54) **CLEANING DEVICE**

(75) Inventors: **Sherry Ajluni**, Cumming, GA (US);
Jeff DeBoer, Ann Arbor, MI (US);
Michael Nellenbach, Clawson, MI (US)

(73) Assignee: **The Evercare Company**, Alpharetta, GA (US)

(**) Term: **14 Years**

(21) Appl. No.: **29/234,990**

(22) Filed: **Jul. 26, 2005**

(51) **LOC (8) Cl.** **04-01**

(52) **U.S. Cl.** **D4/114; D4/120; D4/127**

(58) **Field of Classification Search** D4/100,
D4/102, 114, 116, 119, 120, 127, 136; D32/42,
D32/45; 15/28, 29, 107, 114; 401/16, 23-25,
401/28, 36, 39, 188 R, 190, 205-207, 268,
401/270, 278, 279

See application file for complete search history.

(56) **References Cited**

U.S. PATENT DOCUMENTS

2,879,532 A * 3/1959 Szabo et al. 401/24

D411,368 S * 6/1999 Liu D4/120 X
D434,567 S * 12/2000 Chen D4/119
6,250,833 B1 * 6/2001 Perry et al. 401/278
2004/0265042 A1 * 12/2004 Chan et al. 401/270

* cited by examiner

Primary Examiner—Alan P. Douglas

Assistant Examiner—Lavone D. Tabor

(74) *Attorney, Agent, or Firm*—Gifford, Krass, Groh,
Sprinkle, Anderson & Citowski, P.C.

(57) **CLAIM**

The ornamental design for a cleaning device, as shown and described.

DESCRIPTION

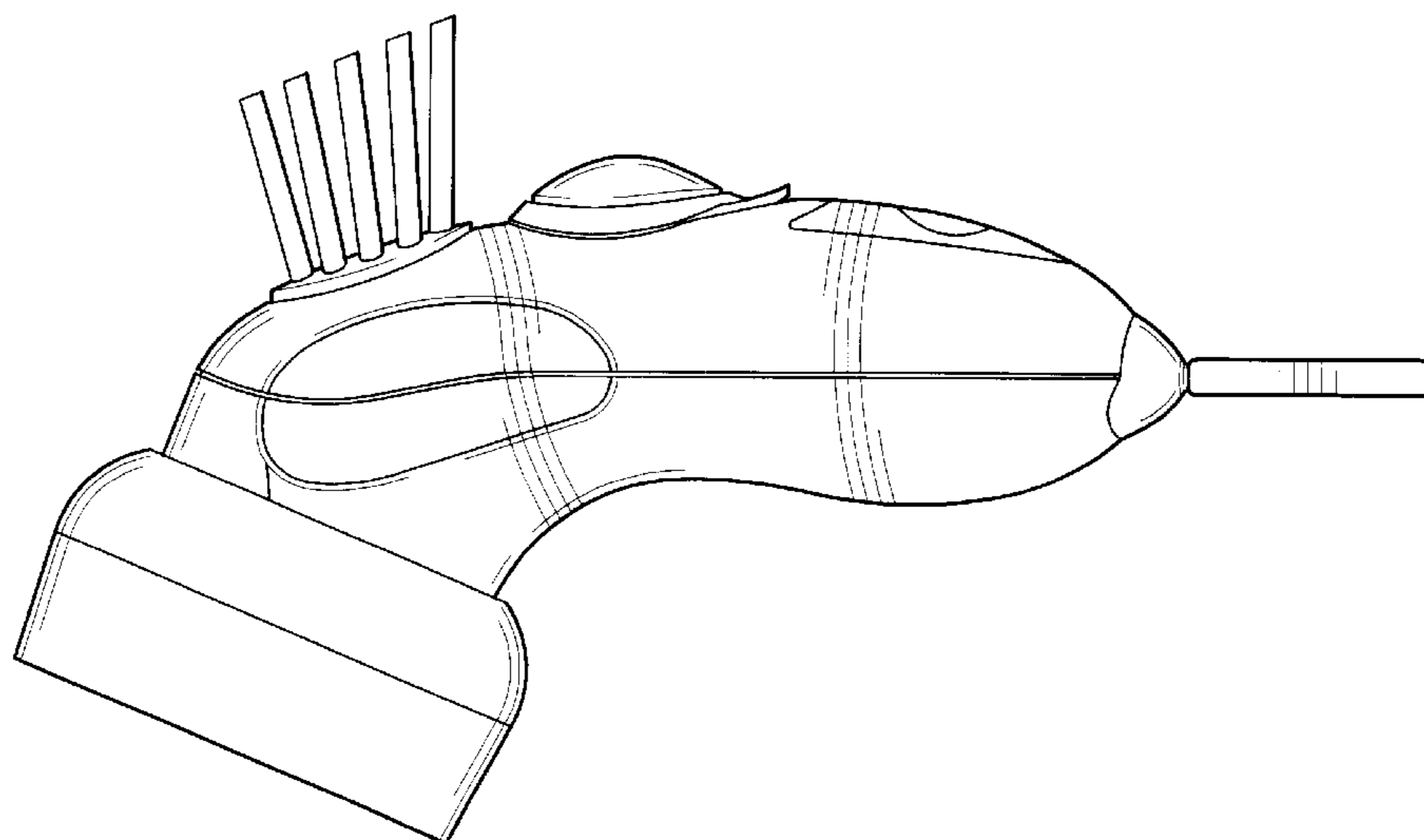
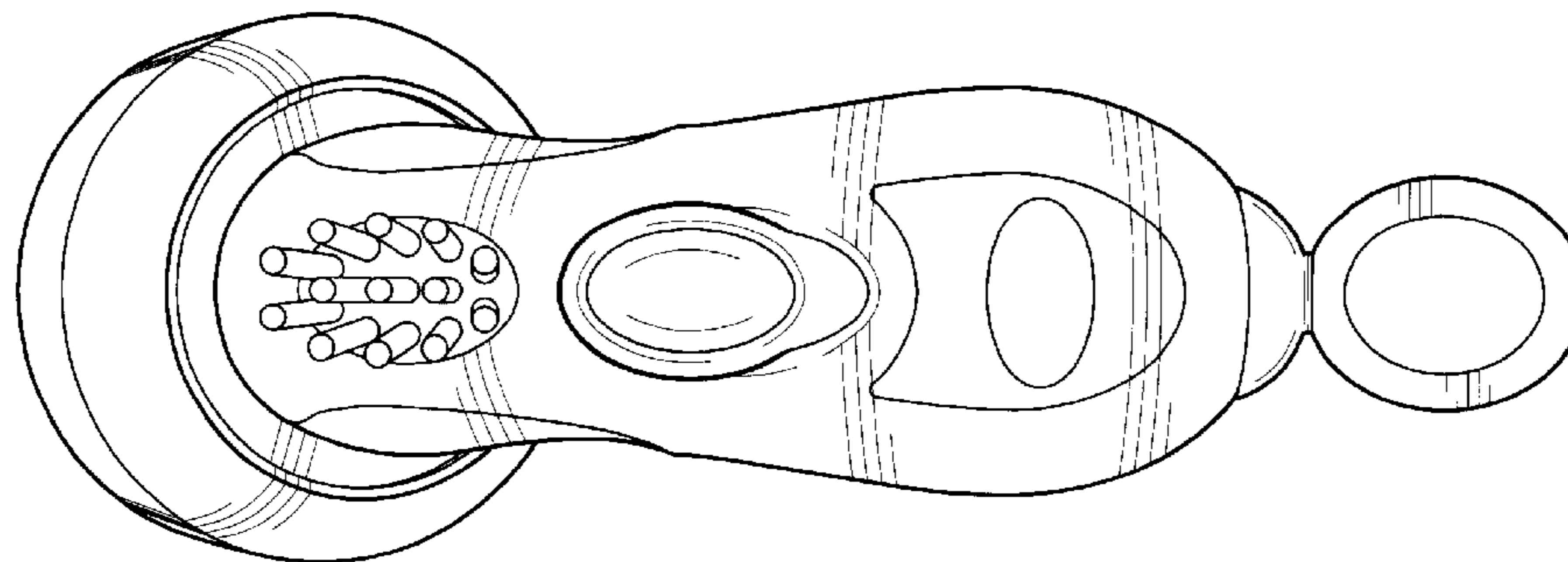
FIG. 1 is a top plan view of the present invention;

FIG. 2 is a side view thereof, the opposite side being a mirror image thereof;

FIG. 3 is a left end view thereof; and,

FIG. 4 is a right end view thereof.

1 Claim, 1 Drawing Sheet



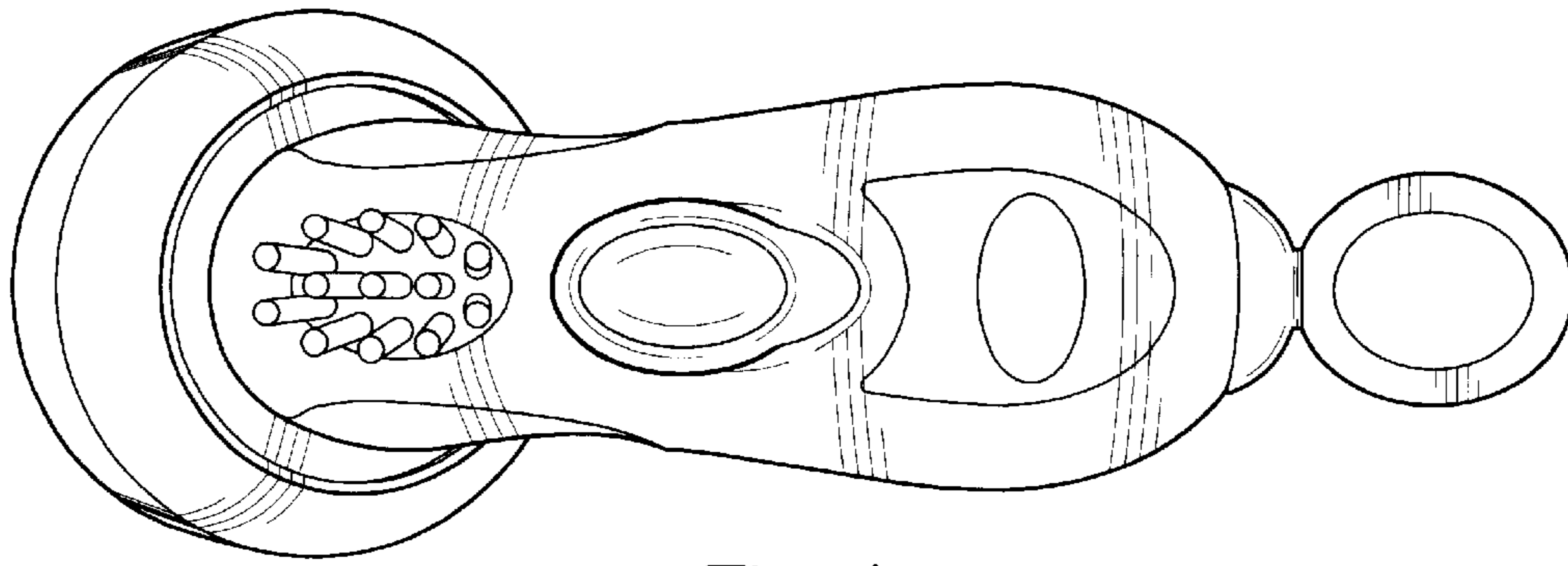


Fig-1

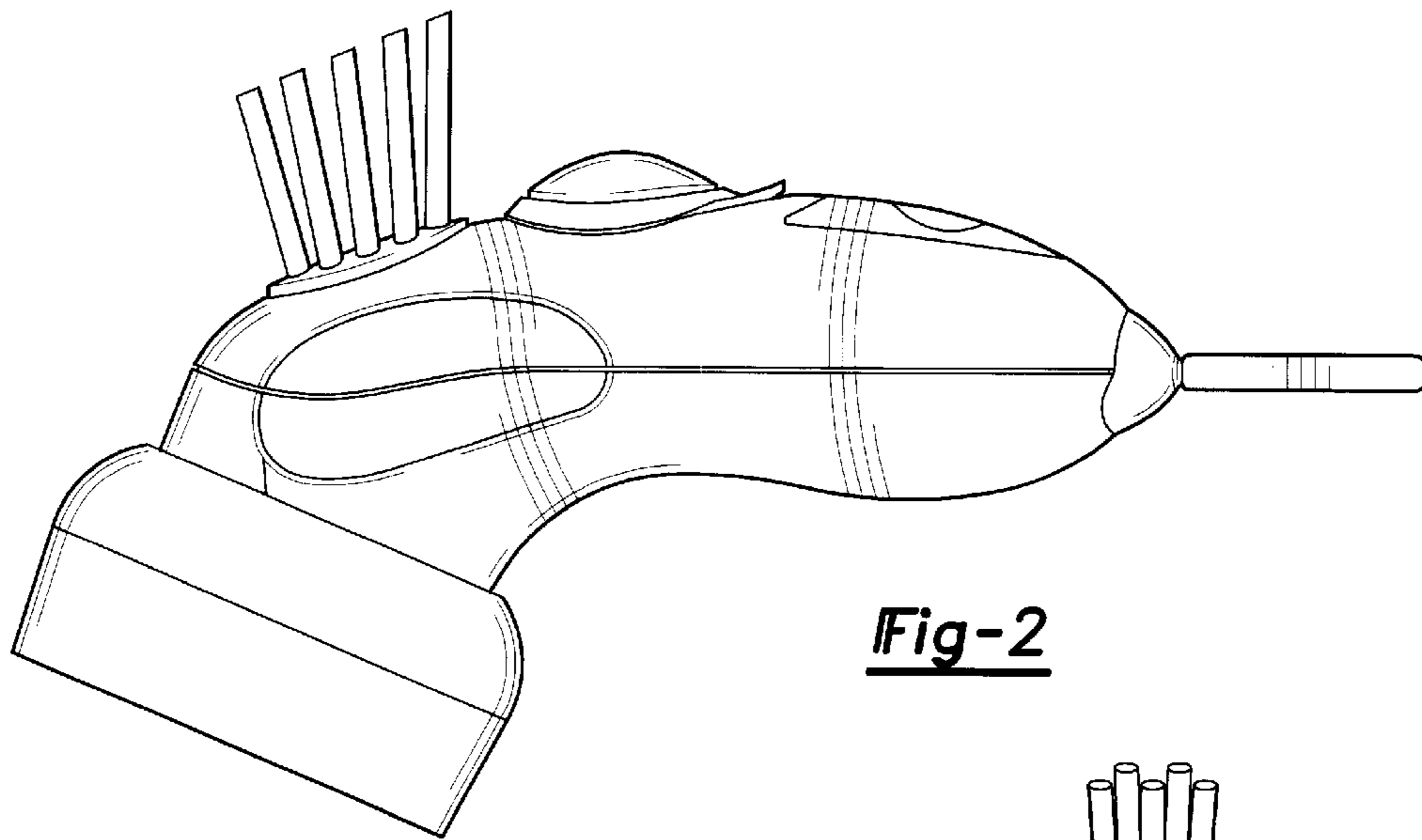


Fig-2

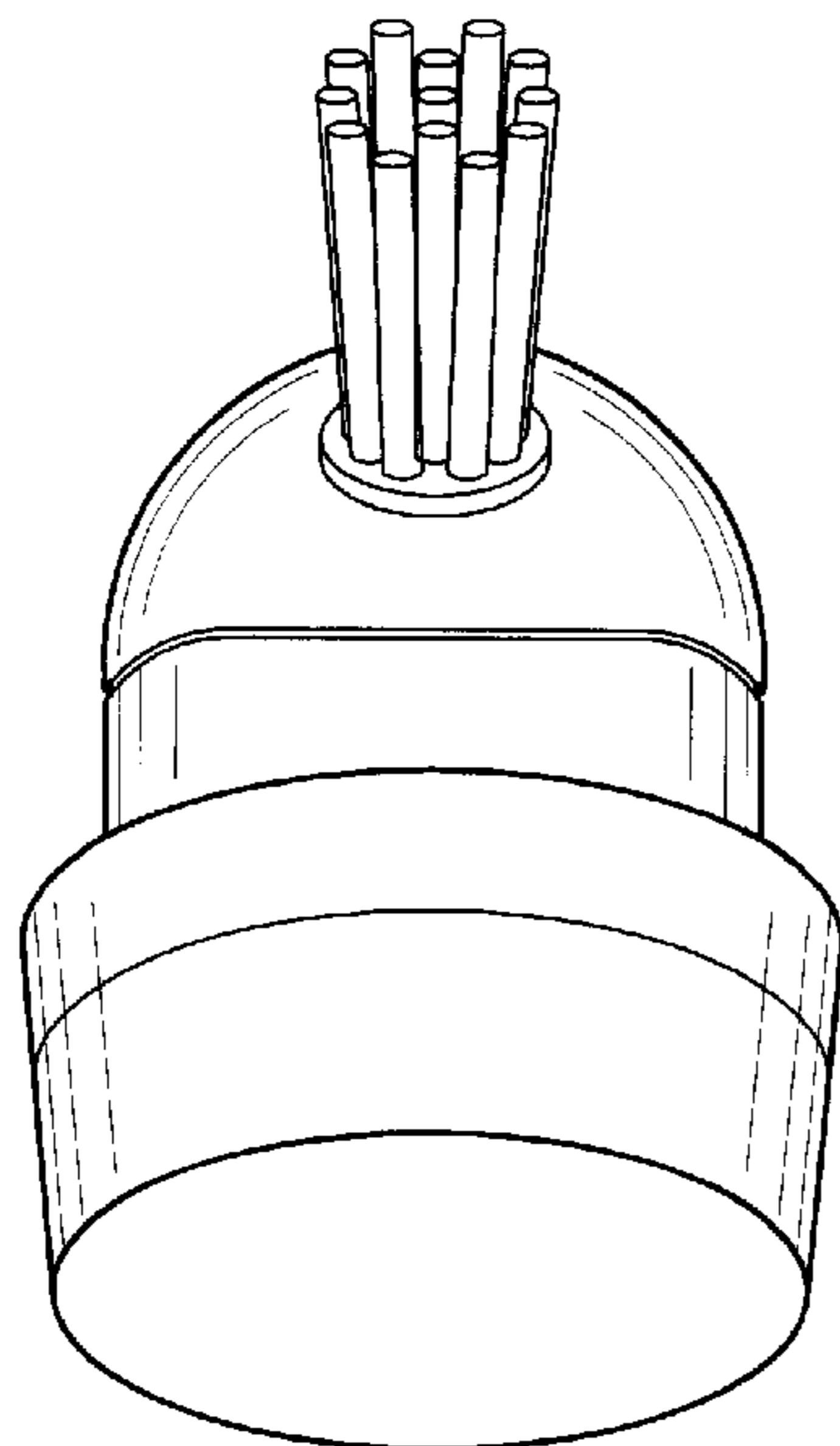


Fig-3

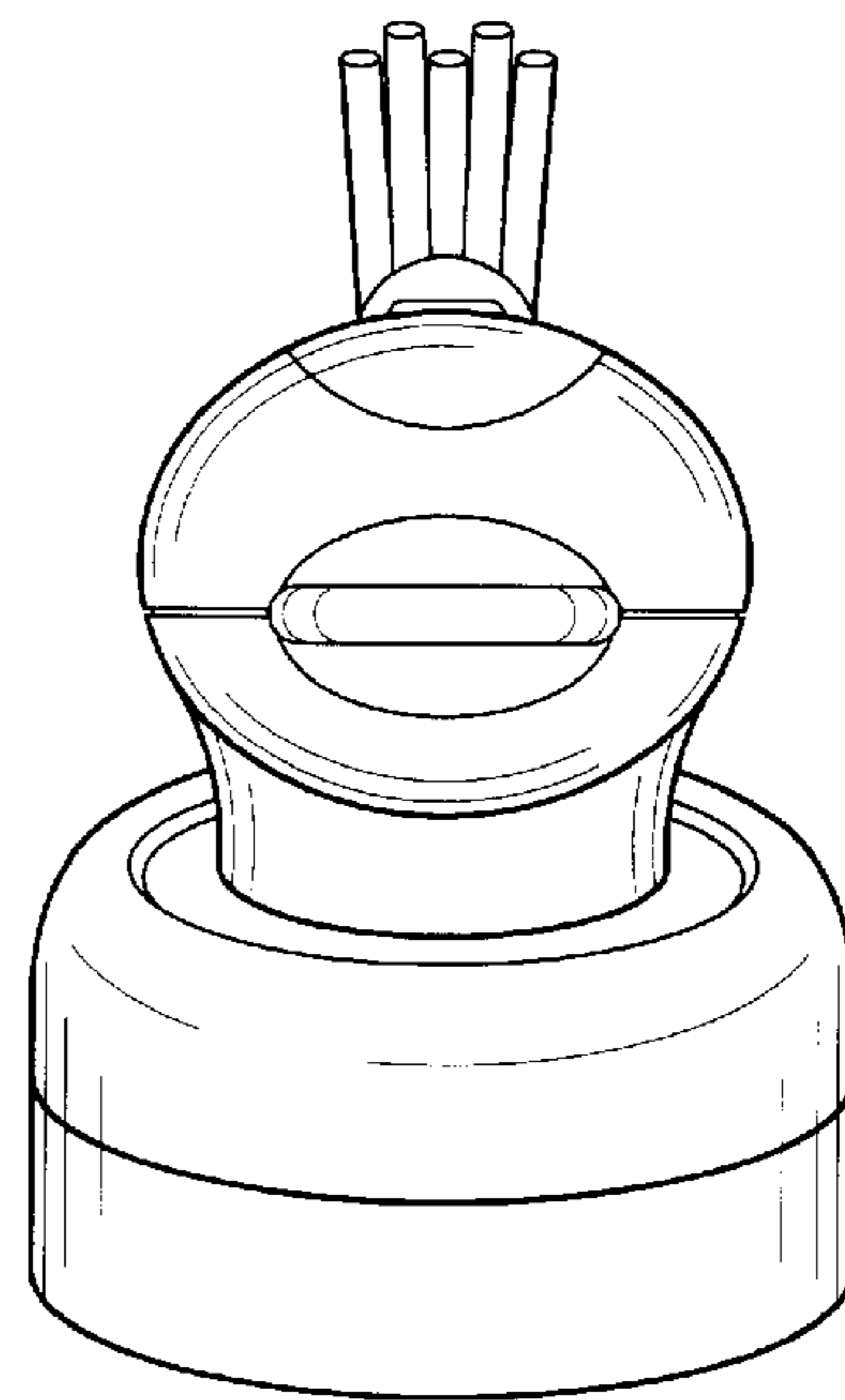


Fig-4