



US00D524545S

(12) **United States Design Patent**
Hinnant

(10) **Patent No.:** **US D524,545 S**
(45) **Date of Patent:** **** Jul. 11, 2006**

(54) **SOAP-DISPENSING BRUSH HANDLE/BODY**

6,439,790 B1 * 8/2002 Kay 401/279 X
D484,314 S * 12/2003 DiGioia D4/115

(76) Inventor: **Wayne Hinnant**, 534 Conestoga Ave.,
Philadelphia, PA (US) 19143

* cited by examiner

(**) Term: **14 Years**

Primary Examiner—Alan P. Douglas
Assistant Examiner—Lavone D. Tabor

(21) Appl. No.: **29/227,482**

(74) *Attorney, Agent, or Firm*—Law Offices of Royal W
Craig

(22) Filed: **Apr. 13, 2005**

(57) **CLAIM**

(51) **LOC (8) Cl.** **04-01**

The ornamental design for a soap-dispensing brush handle/
body, as shown and described.

(52) **U.S. Cl.** **D4/114; D4/138**

DESCRIPTION

(58) **Field of Classification Search** D4/114,
D4/115, 127, 132, 138; D28/7, 63; 15/143.1,
15/145, 159.1, 160, 176.1, 176.2, 186, 187,
15/191.1, 192, 193, 244.1; 401/6, 188 R,
401/190, 196, 205–207, 270–273, 278, 279,
401/282, 284, 290, 291; D32/45, 51
See application file for complete search history.

The design of the present invention and as shown in FIGS.
1–8 is an ornamental soap-dispensing brush handle/body for
use while bathing or showering.

FIG. **1** is a rear view of a soap-dispensing brush handle/body
showing my new design;

FIG. **2** is a rear perspective view of FIG. **1**;

FIG. **3** is an enlarged front view of FIG. **1**;

FIG. **4** is a front perspective view of FIG. **1** shown on an
even larger scale;

FIG. **5** is a greatly enlarged top end view of FIG. **1**;

FIG. **6** is a greatly enlarged bottom end view of FIG. **1**;

FIG. **7** is an enlarged left side view of FIG. **1**; and,

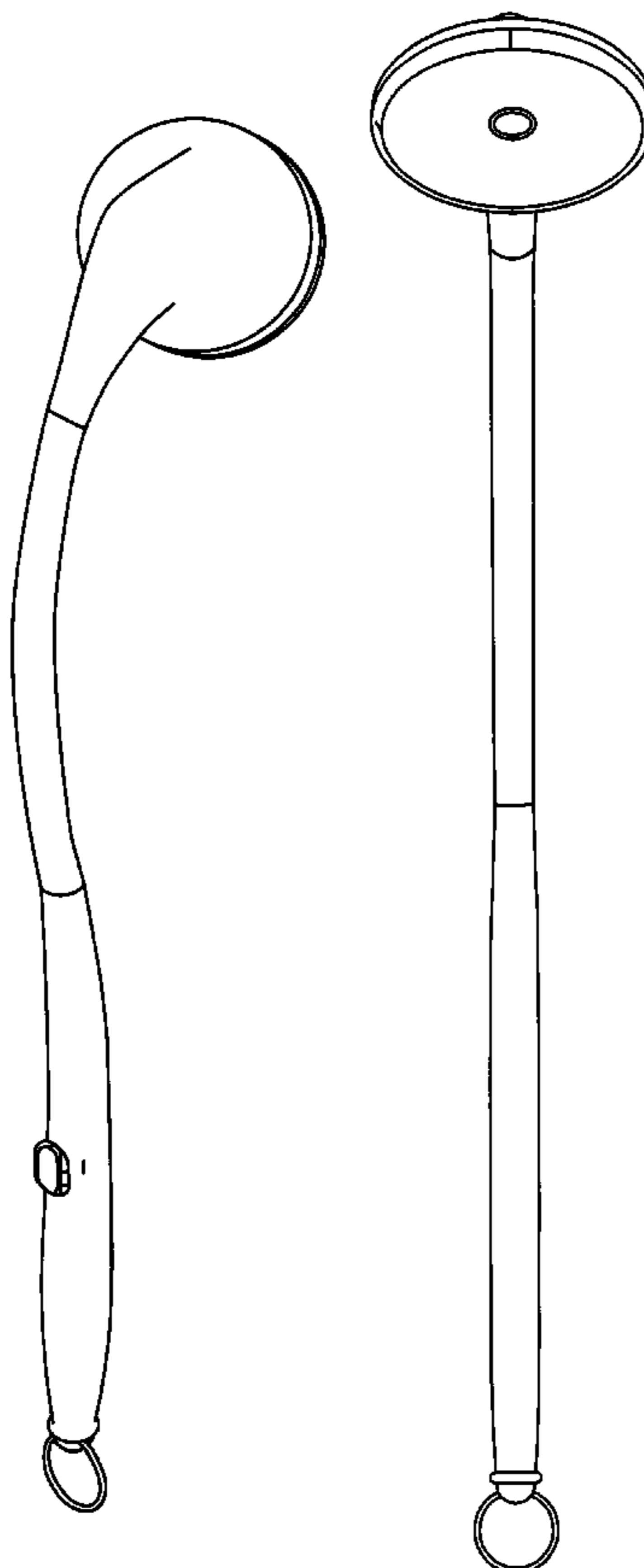
FIG. **8** is an enlarged right side view of FIG. **1**.

(56) **References Cited**

U.S. PATENT DOCUMENTS

D294,202 S * 2/1988 Adair D4/114
D334,665 S * 4/1993 Johnson D4/114
D343,924 S * 2/1994 Kaplan D28/63
5,931,591 A * 8/1999 McCracken 401/6

1 Claim, 4 Drawing Sheets



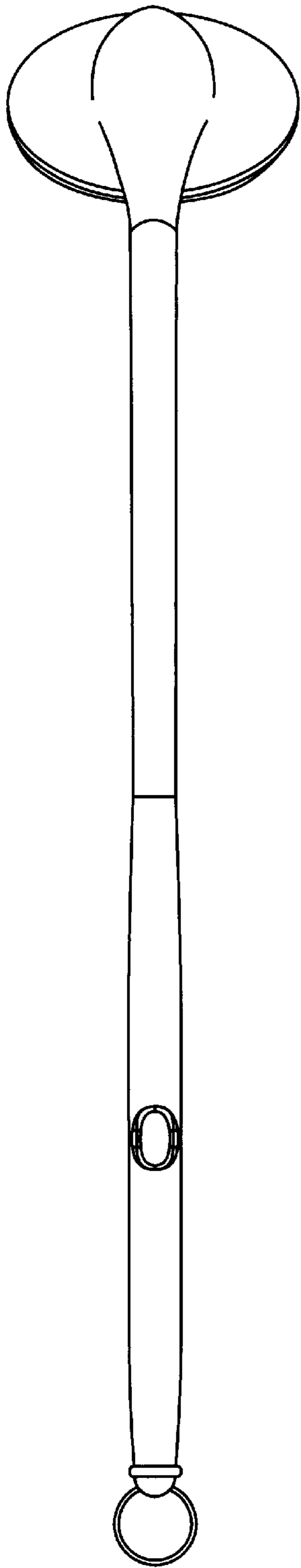


FIG. 1

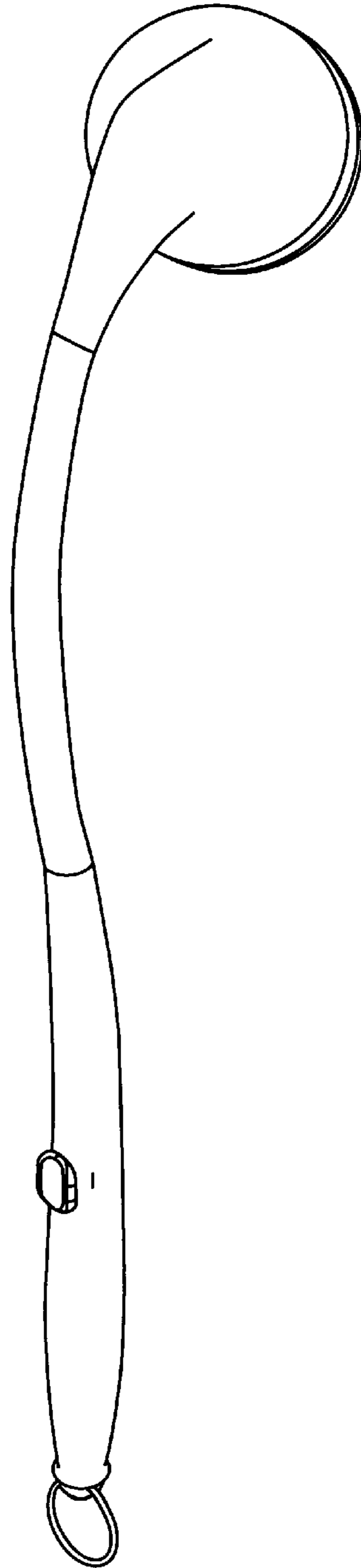


FIG. 2

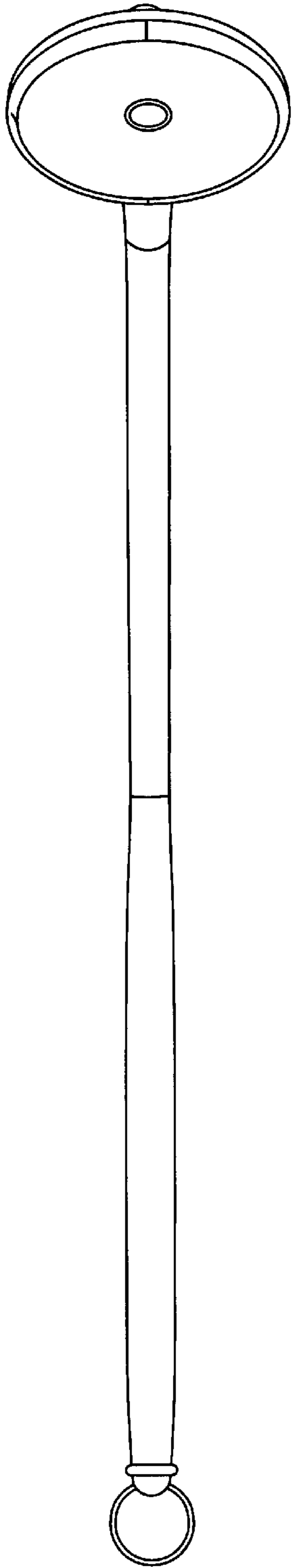


FIG. 3

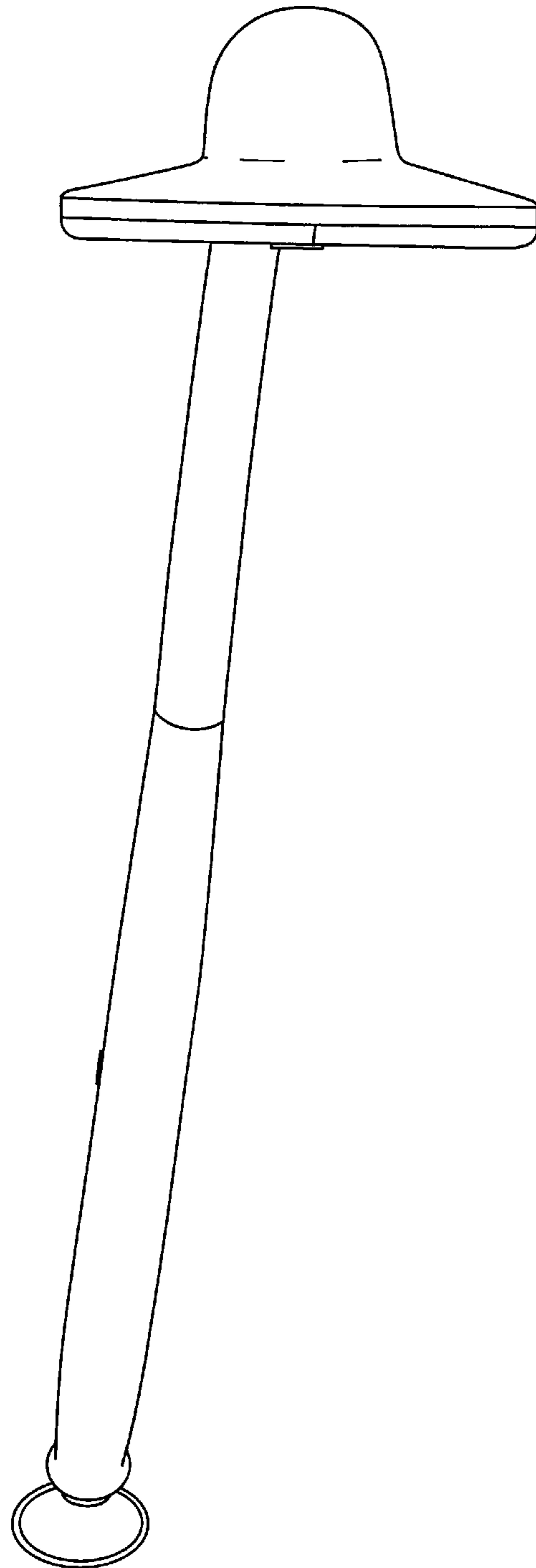


FIG. 4

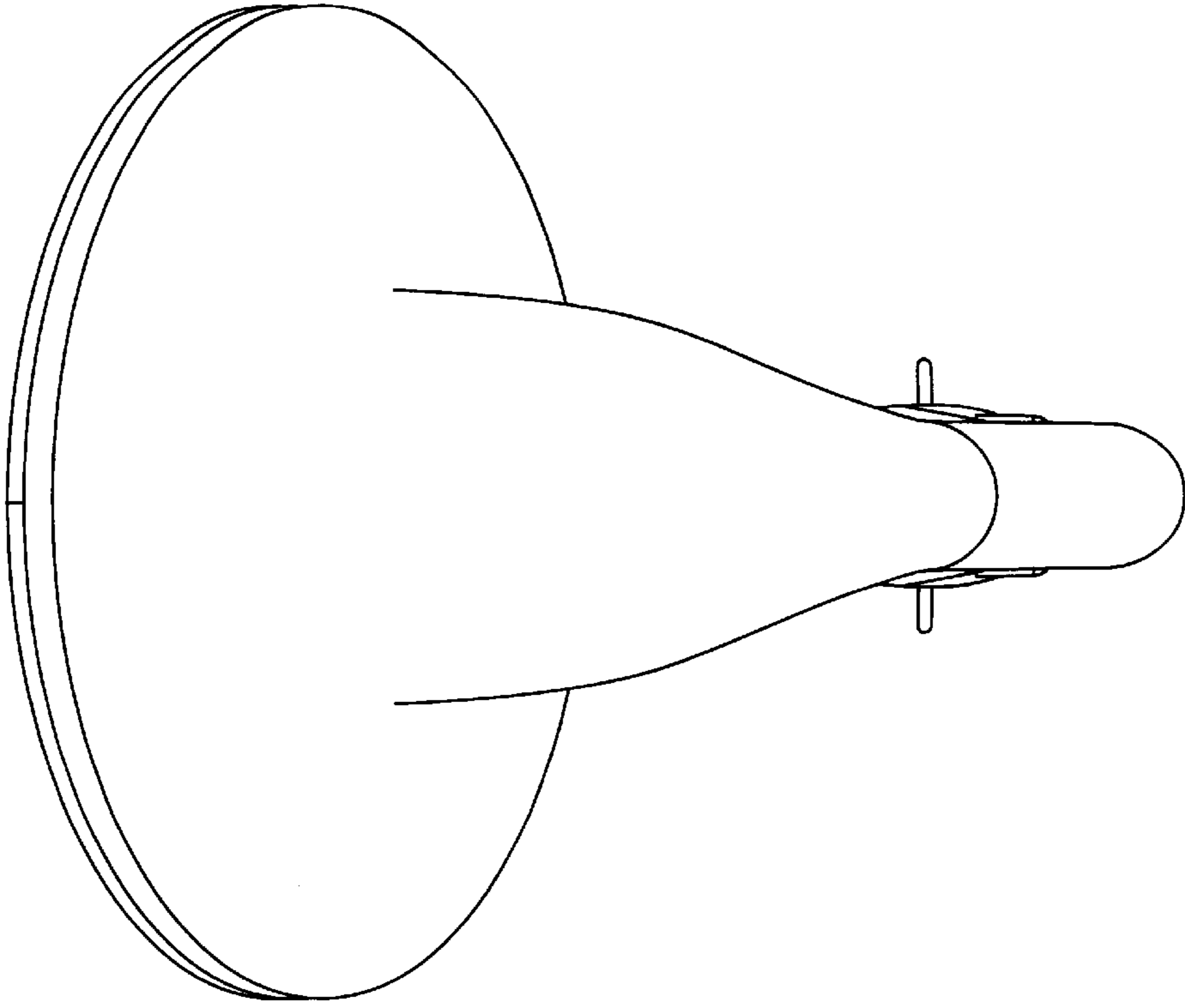


FIG. 6

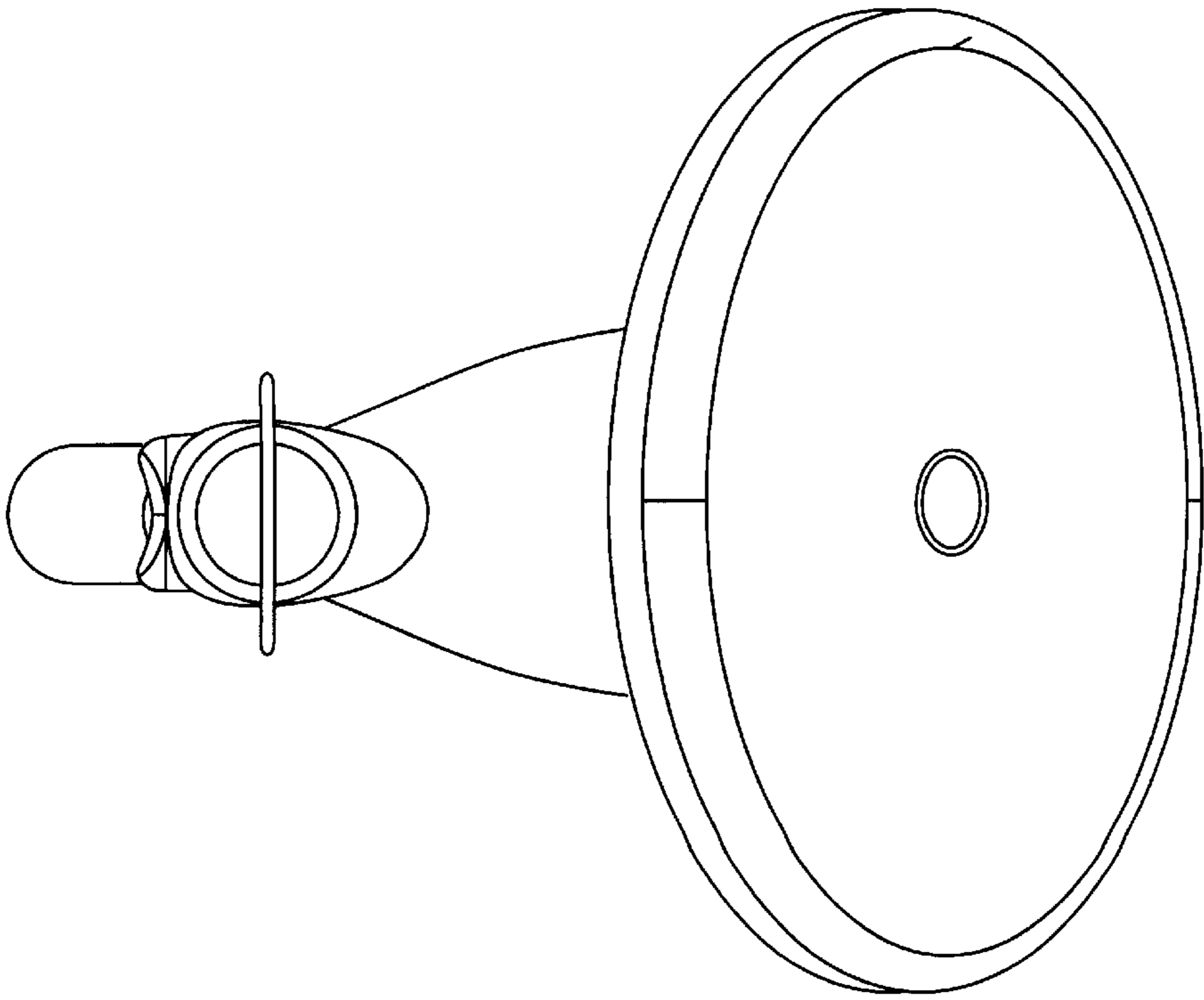


FIG. 5

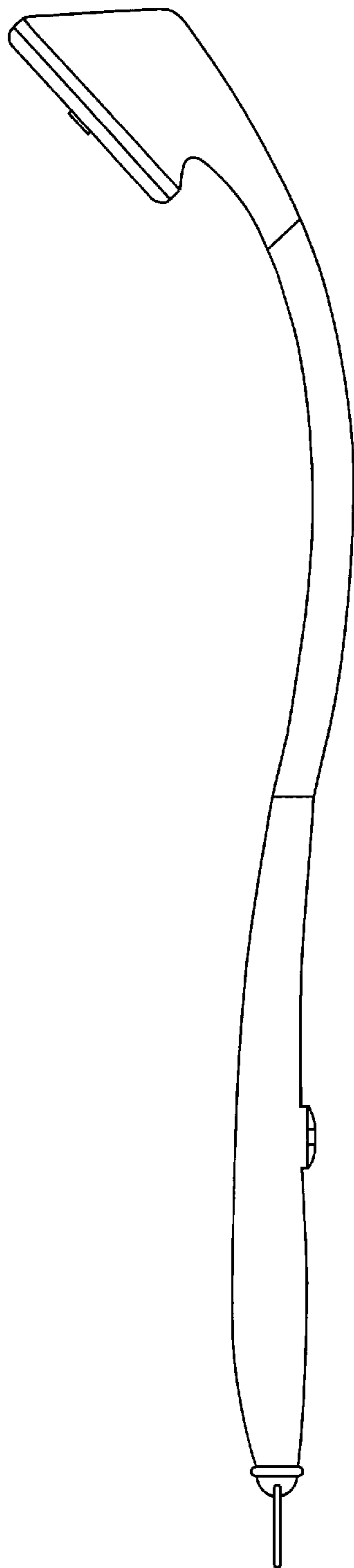


FIG. 7

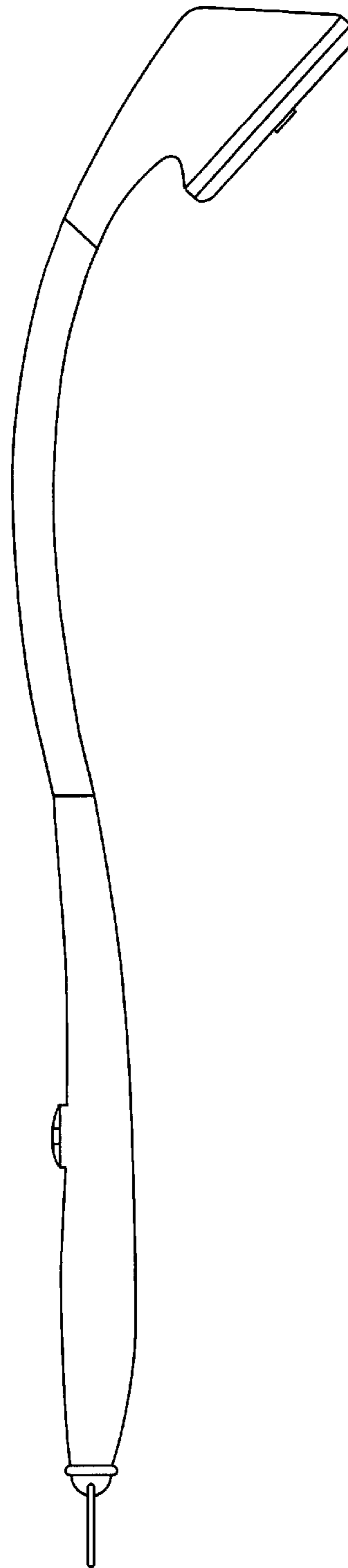


FIG. 8