



US00D524544S

(12) **United States Design Patent**
Crook

(10) **Patent No.:** **US D524,544 S**

(45) **Date of Patent:** **** Jul. 11, 2006**

(54) **PURSE ORGANIZER**

(76) Inventor: **Anita I. Crook**, 124 Ramsford La.,
Simpsonville, SC (US) 29681

(**) Term: **14 Years**

(21) Appl. No.: **29/234,386**

(22) Filed: **Jul. 18, 2005**

(51) **LOC (8) Cl.** **03-01**

(52) **U.S. Cl.** **D3/319**

(58) **Field of Classification Search** D3/201,
D3/205, 230, 231, 232, 233, 234, 238, 239,
D3/240, 241, 242, 243, 244, 245, 246, 247,
D3/251, 273, 288, 290, 294, 226, 227, 900,
D3/901, 318, 319; 150/106, 107, 108, 110,
150/111, 112, 114, 117, 118, 119, 120; 190/16,
190/109, 112, 115, 900, 901, 902, 903; 224/277
See application file for complete search history.

(56) **References Cited**

U.S. PATENT DOCUMENTS

D167,586 S	*	8/1952	Pichel	D3/244
D252,596 S	*	8/1979	Adler et al.	D3/319
4,263,951 A	*	4/1981	Siegel	D3/319
D294,196 S	*	2/1988	Bialo	D3/319

D354,399 S	*	1/1995	Georges	D3/319
D403,151 S	*	12/1998	Heredos-Formby	D3/232

* cited by examiner

Primary Examiner—Louis S. Zarfes

Assistant Examiner—Monica A. Weingart

(74) *Attorney, Agent, or Firm*—J. Bennett Mulinax, LLC

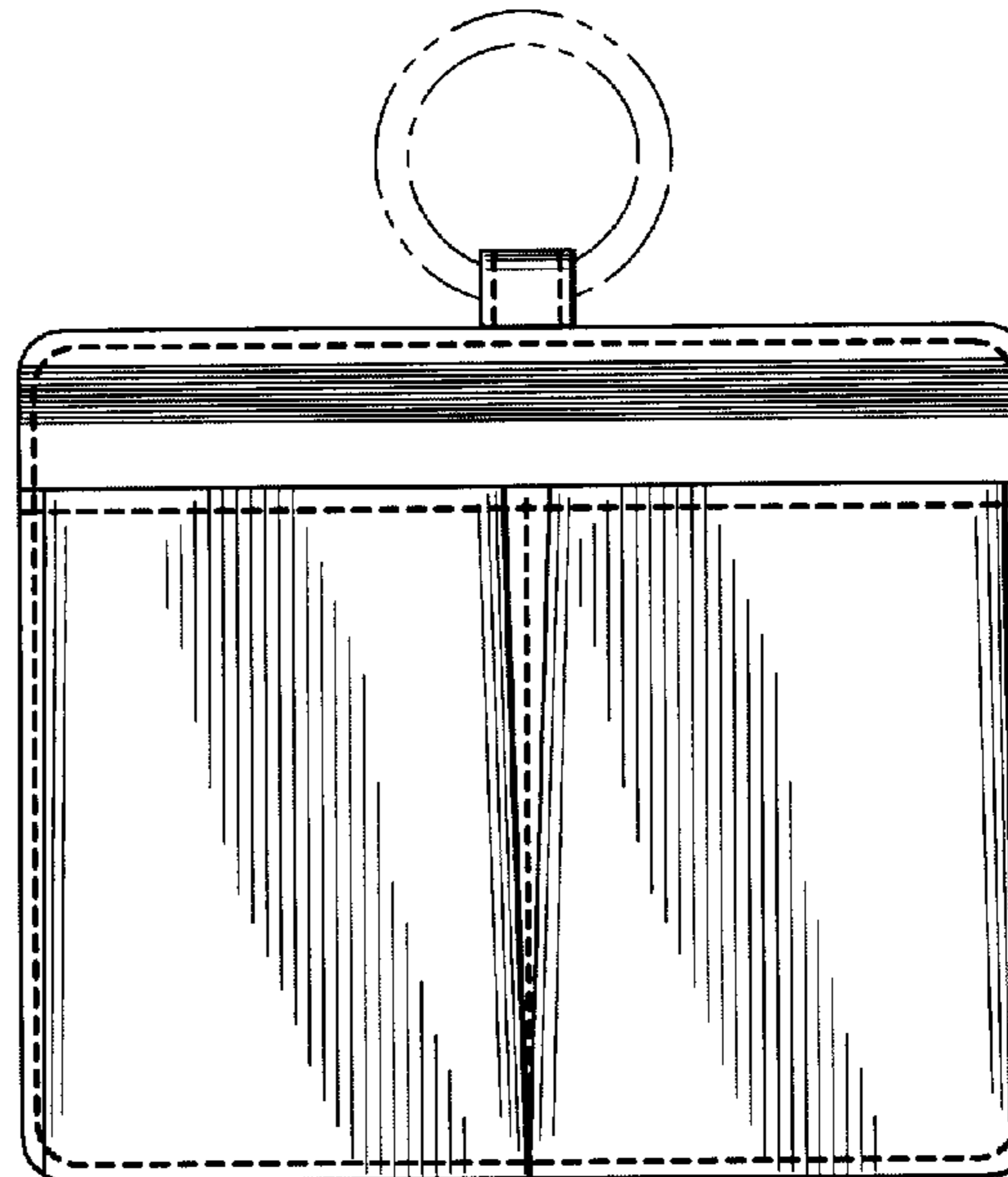
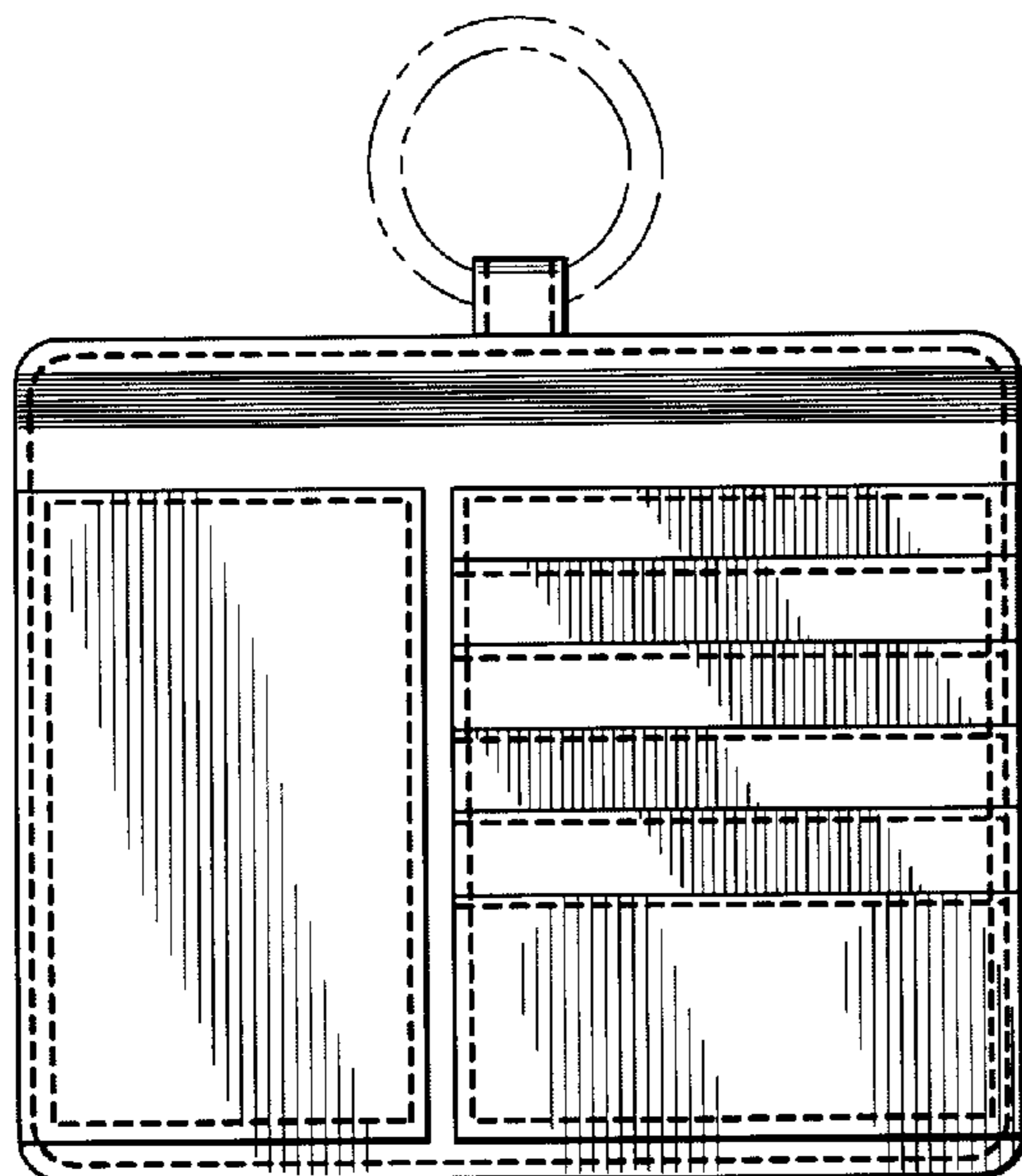
(57) **CLAIM**

The ornamental design for a purse organizer, as shown and described.

DESCRIPTION

FIG. 1 is a rear perspective view of a purse organizer showing my new design;
FIG. 2 is top perspective view thereof;
FIG. 3 is front elevational view thereof;
FIG. 4 is a right side elevational view thereof;
FIG. 5 is a rear elevational view thereof;
FIG. 6 is a left side elevational view thereof;
FIG. 7 is a top plan view thereof; and,
FIG. 8 is a bottom plan view thereof.
The broken line showing of the handles, in FIGS. 1–8, is for illustrative purposes only and forms no part of the claimed design.

1 Claim, 5 Drawing Sheets



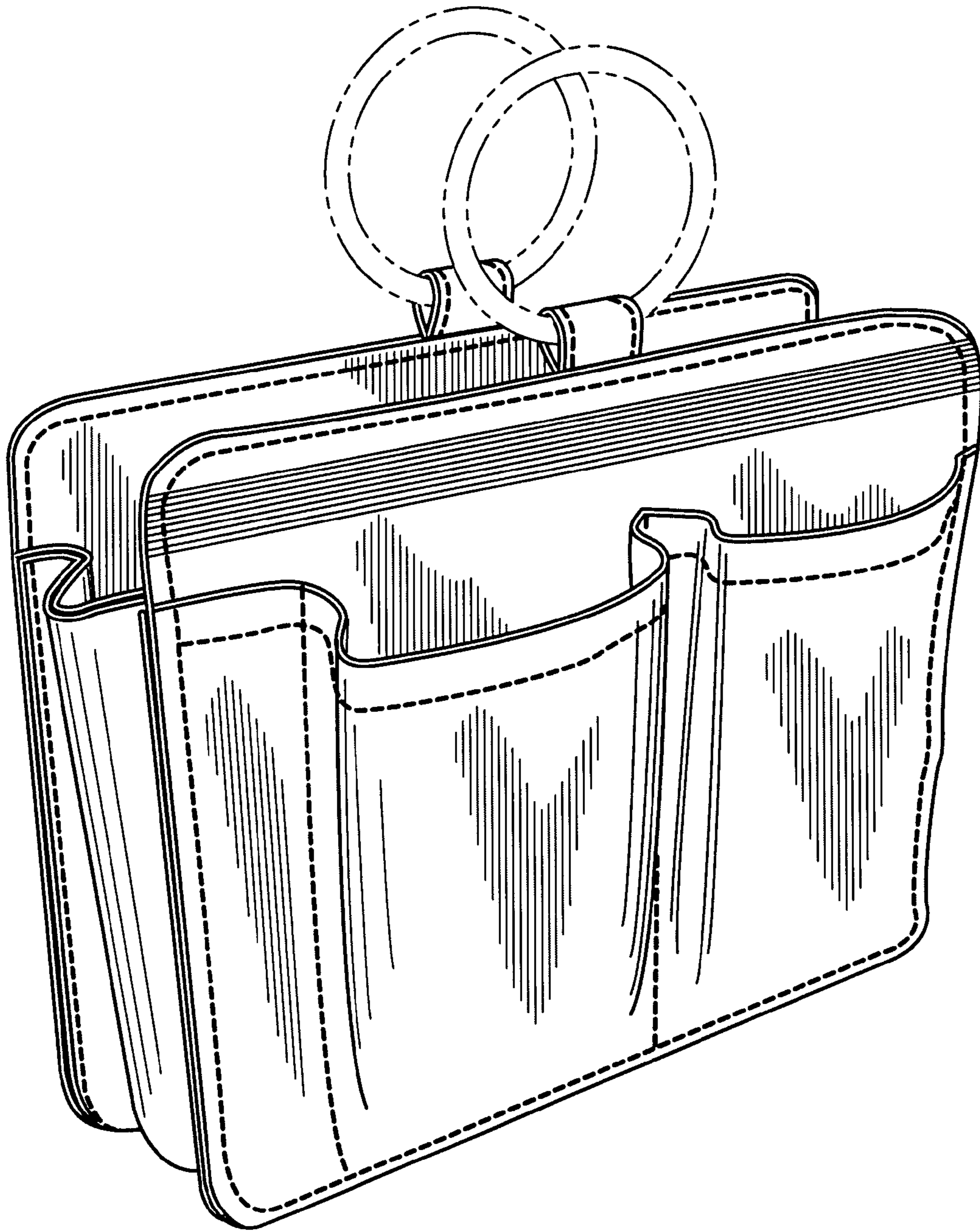


Fig. 1

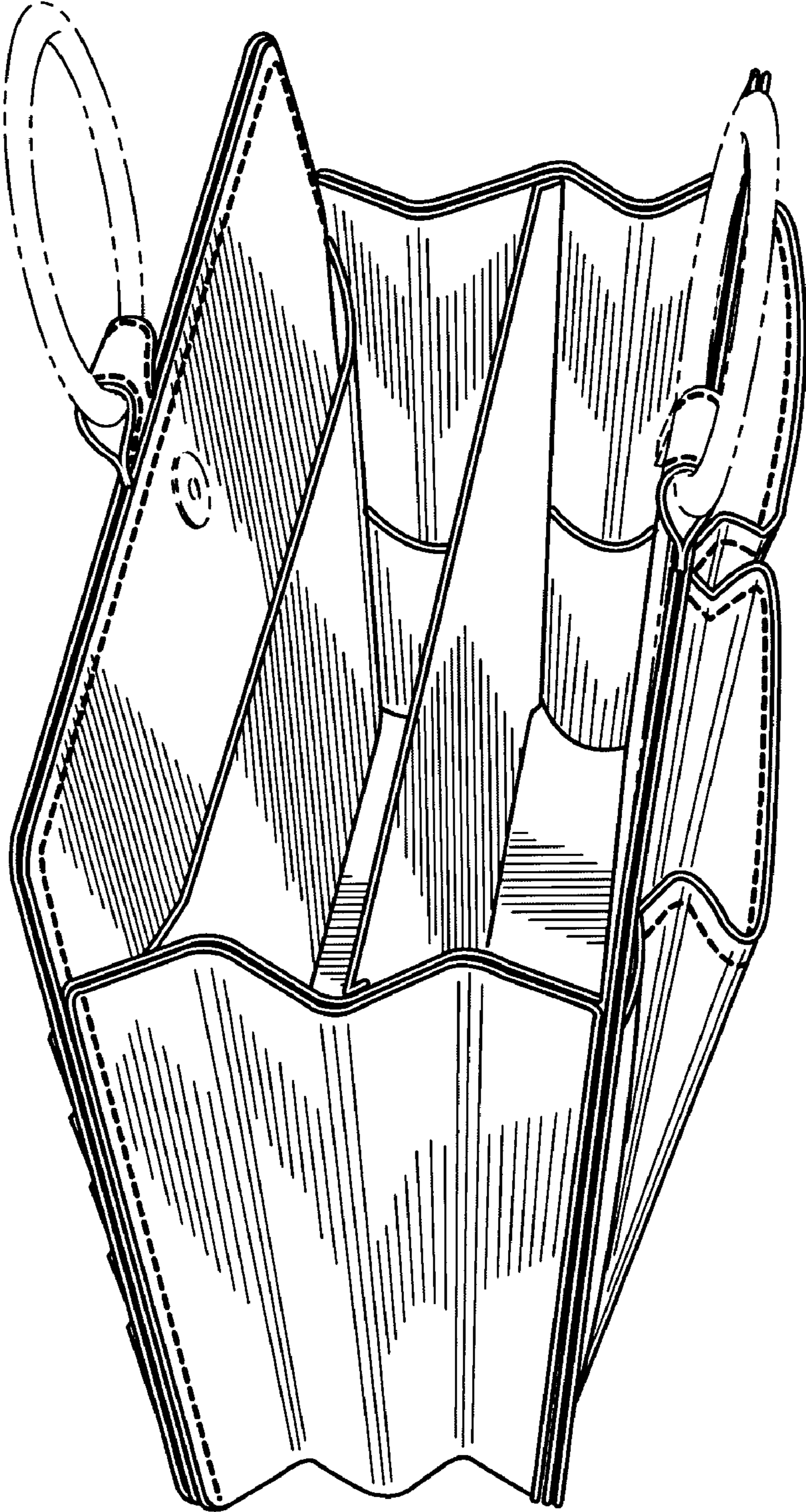


Fig. 2

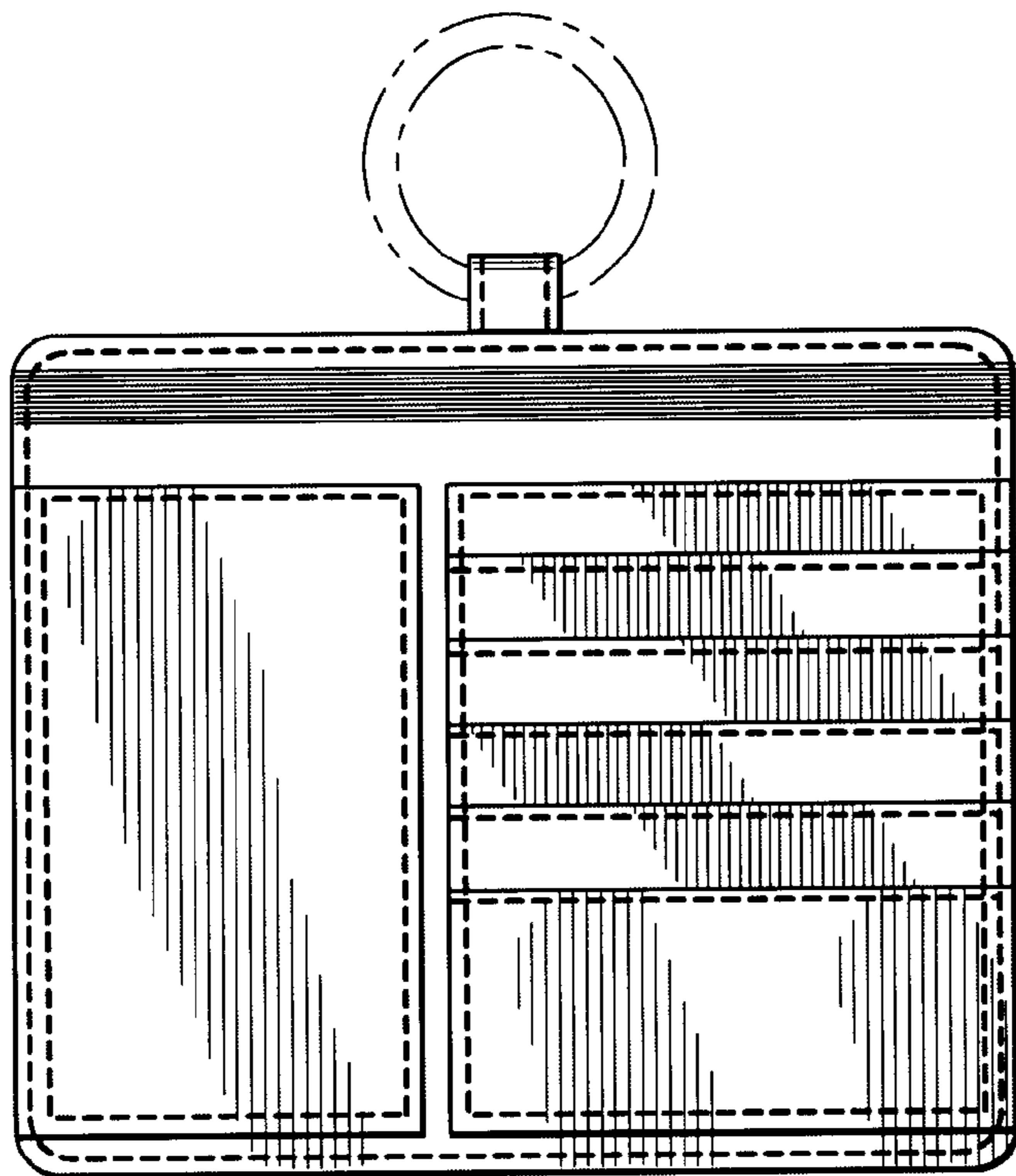


Fig. 3

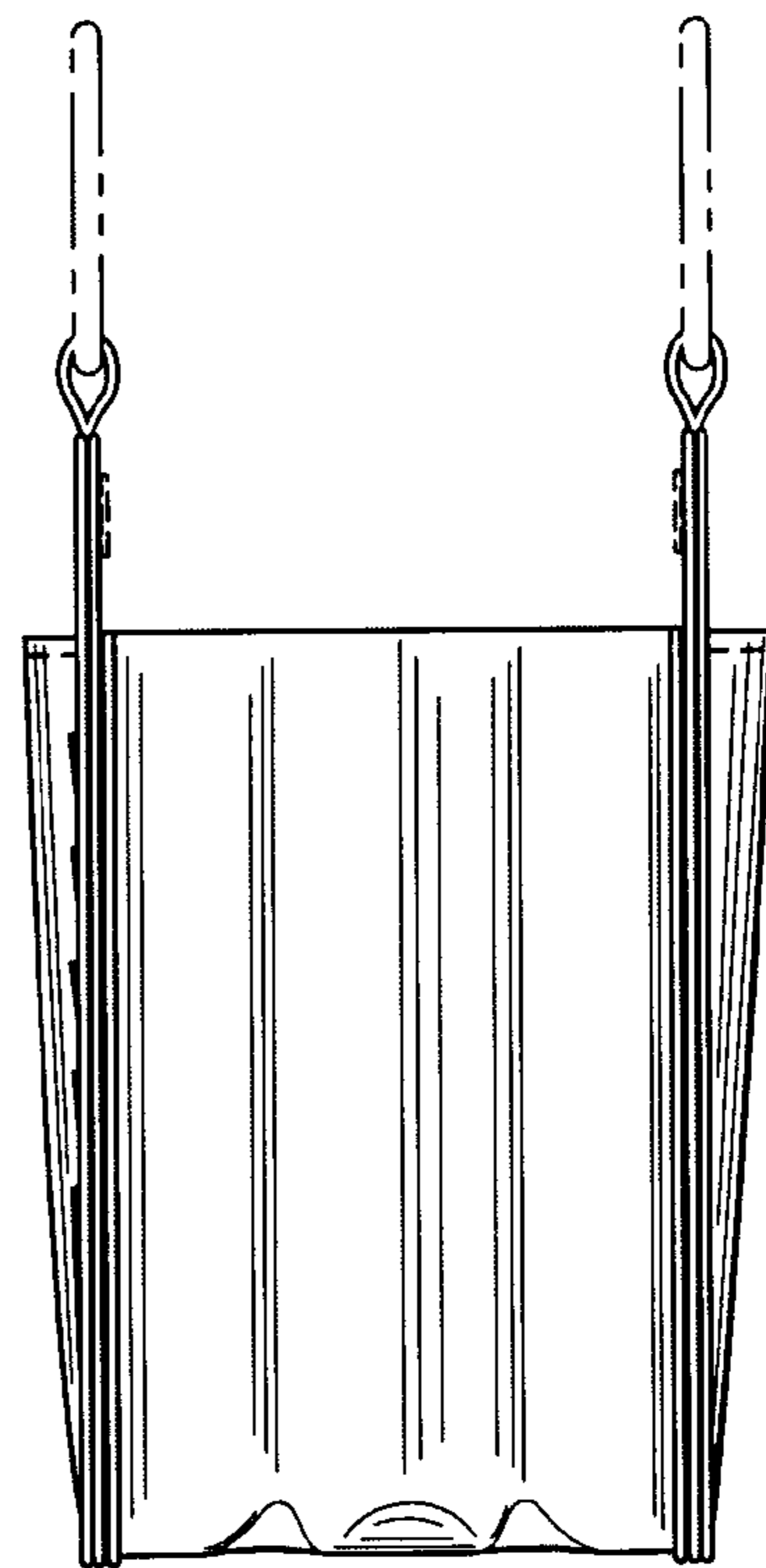


Fig. 4

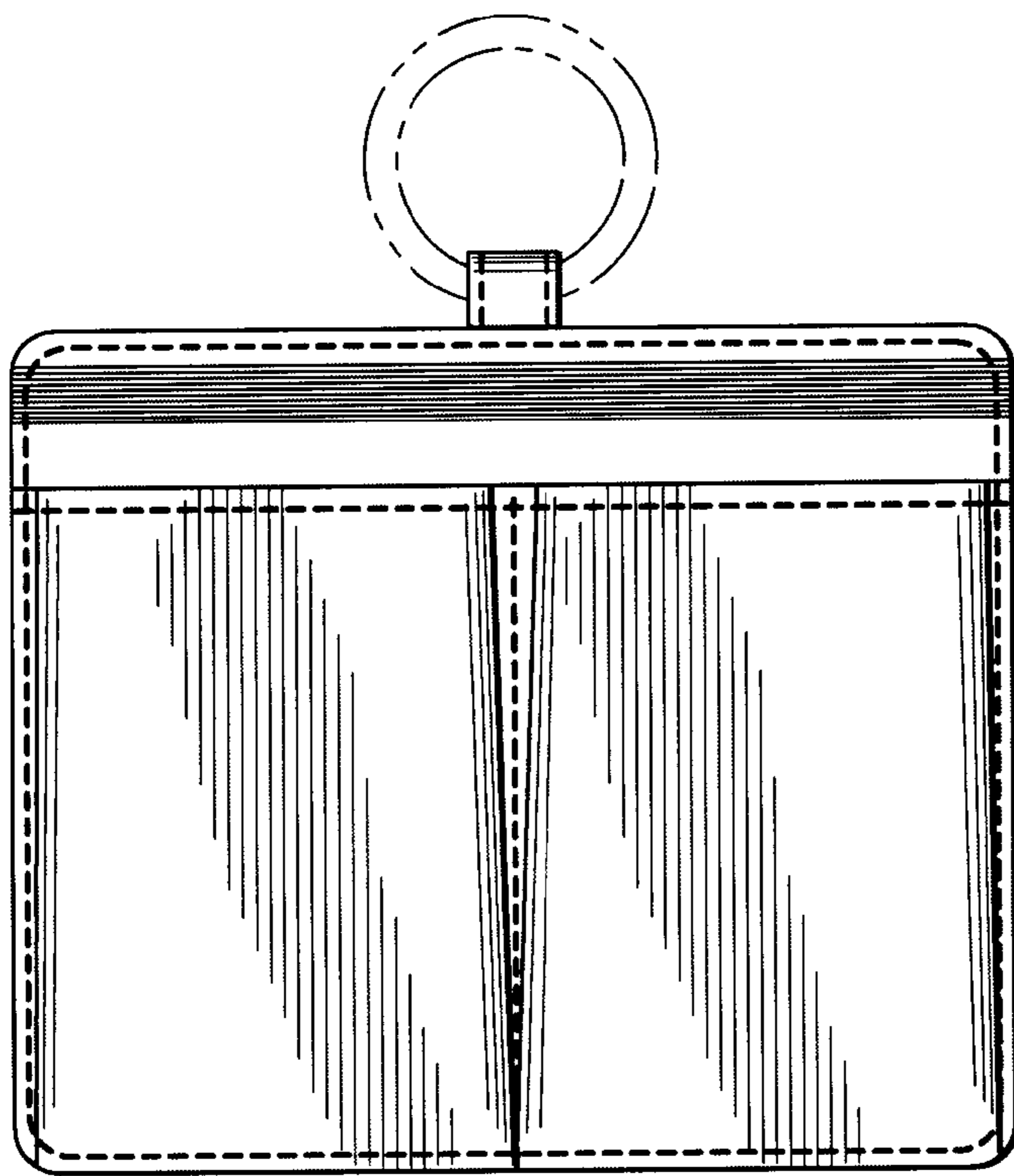


Fig. 5

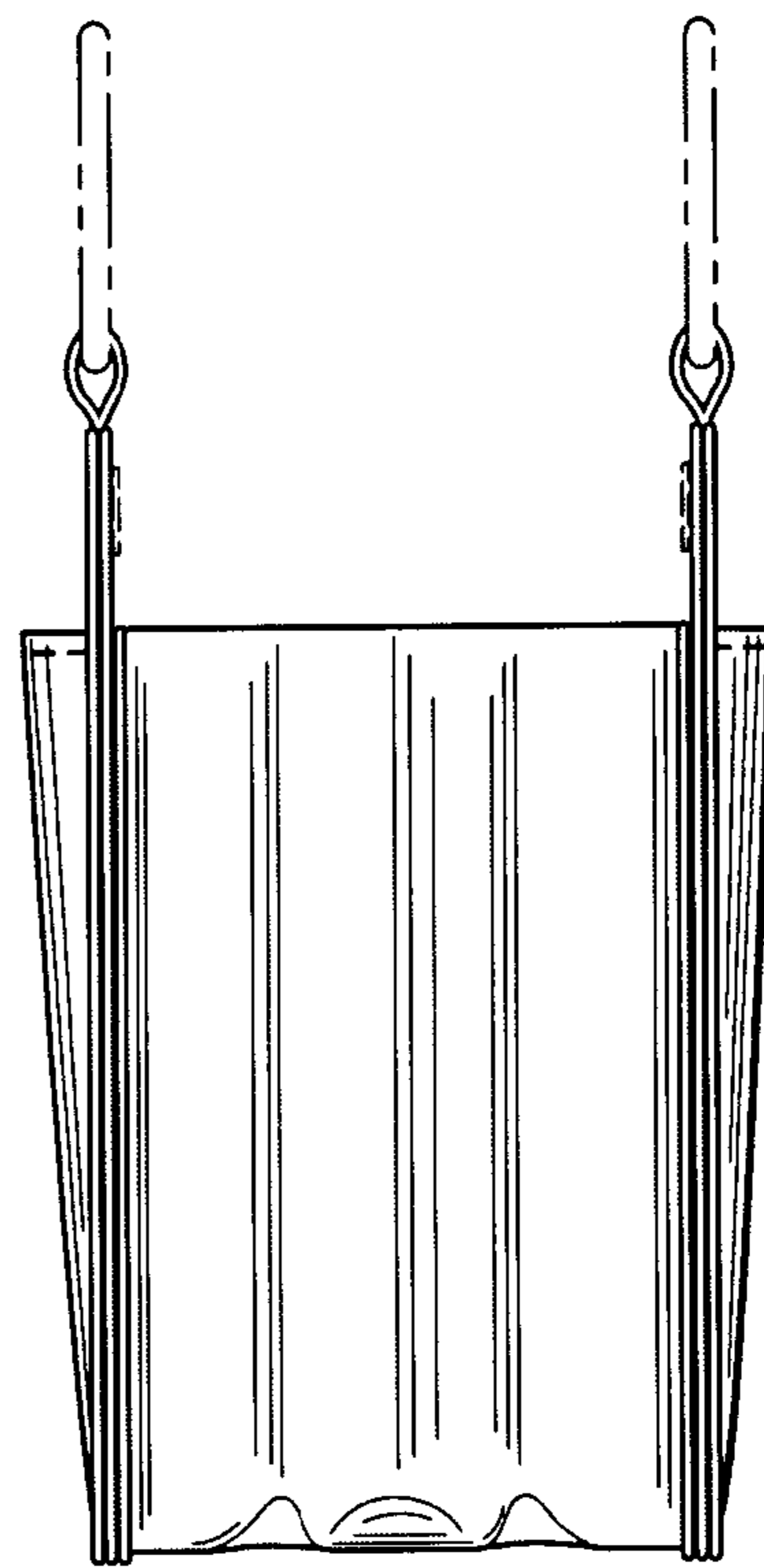


Fig. 6

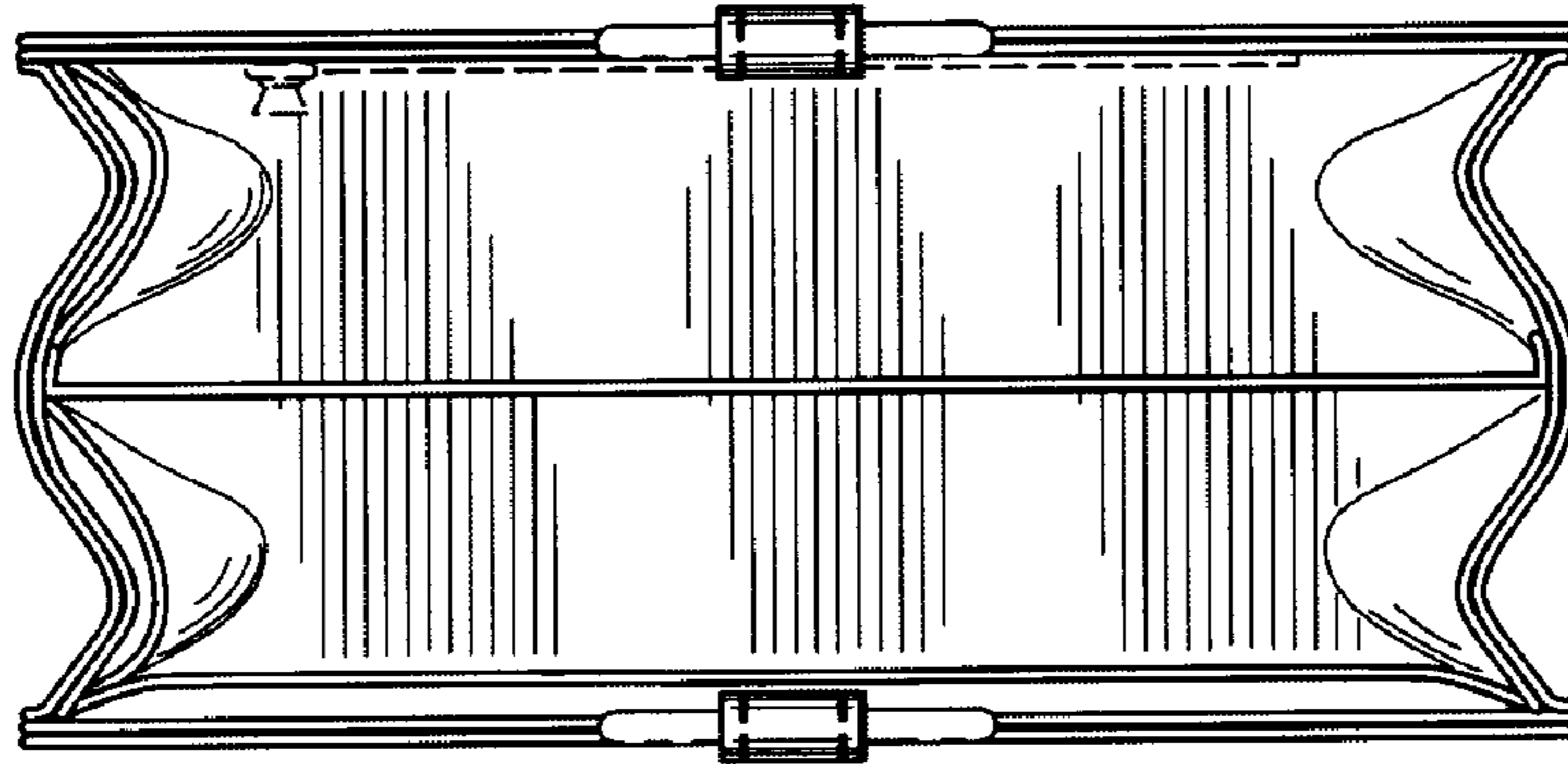


Fig. 7

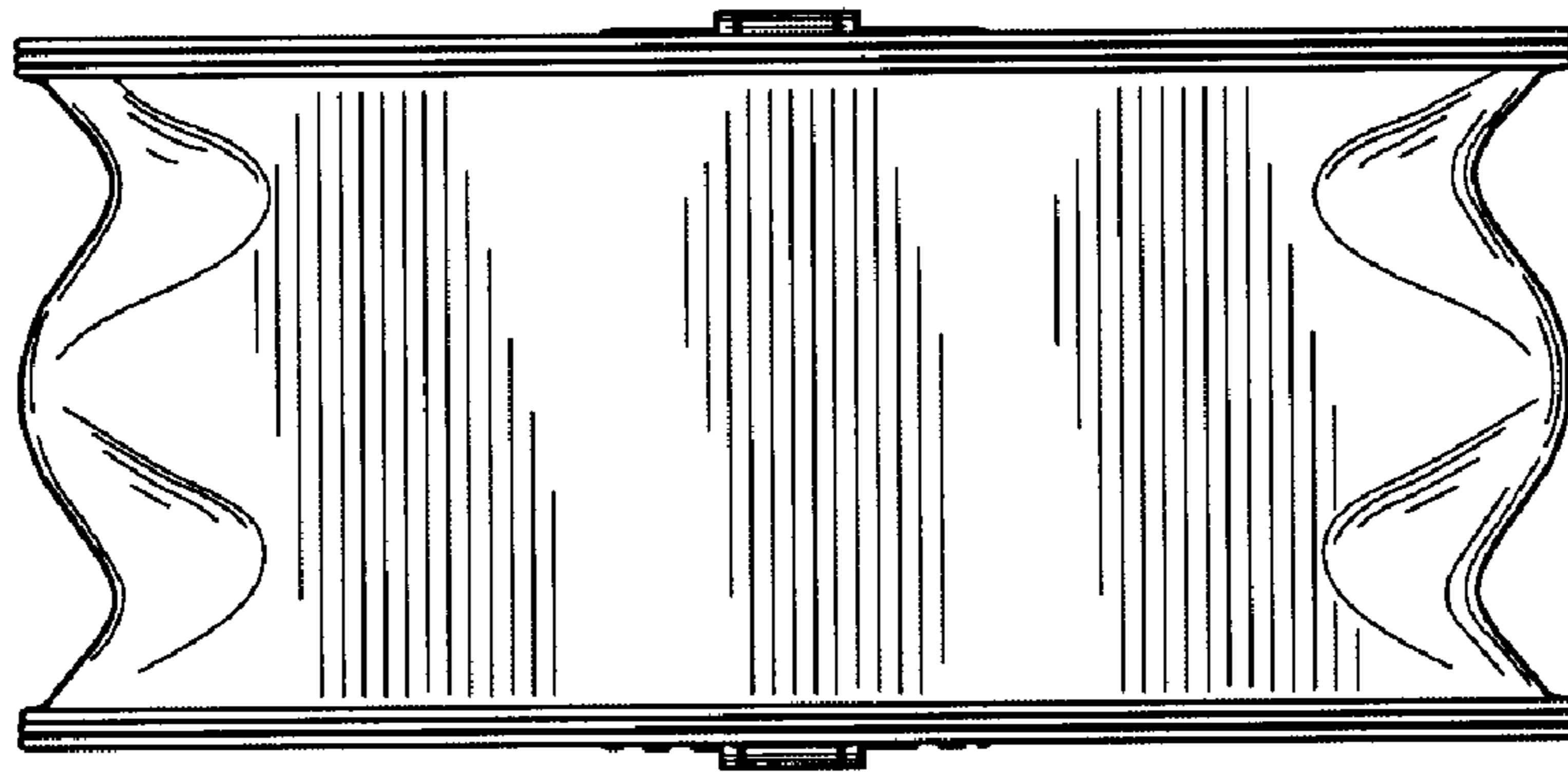


Fig. 8