



US00D524543S

(12) **United States Design Patent**  
**Toler et al.**

(10) **Patent No.:** **US D524,543 S**  
(45) **Date of Patent:** **\*\* Jul. 11, 2006**

(54) **LUGGAGE STRAP LOCK AND IDENTIFIER  
HAVING AN ANIMAL MOTIF**

D390,704 S \* 2/1998 Bloch ..... D3/327  
D396,347 S \* 7/1998 Jenkins et al. .... D3/327

(76) Inventors: **Debra Toler**, 6230 W. Blackhawk Dr.,  
Glendale, AZ (US) 85308; **Robert Z.  
Toler**, 5617 W. Beck La., Glendale, AZ  
(US) 85306

\* cited by examiner

*Primary Examiner*—Sandra S. Snapp  
(74) *Attorney, Agent, or Firm*—Jeffrey D. Moy; Harry M.  
Weiss; Weiss, Moy & Harris, P.C.

(\*\*) Term: **14 Years**

(57) **CLAIM**

(21) Appl. No.: **29/229,170**

The ornamental design for a luggage strap lock and identifier  
having an animal motif, as shown and described.

(22) Filed: **May 4, 2005**

**DESCRIPTION**

(51) **LOC (8) Cl.** ..... **03-99**  
(52) **U.S. Cl.** ..... **D3/318**  
(58) **Field of Classification Search** ..... D3/318,  
D3/319, 321–328, 226, 229, 230, 232, 234,  
D3/235, 242, 243, 245, 246, 271.2, 304, 306;  
D12/409; 70/2, 6; 150/100, 107, 111, 118,  
150/130, 900, 112, 114, 117, 127; 190/100,  
190/119, 125, 127, 109, 110, 900–903; 224/42.11,  
224/236, 429, 430, 609, 436, 439; 383/907,  
383/38

FIG. 1 is an elevated perspective view of the luggage strap  
lock and identifier having an animal motif showing my new  
design coupled to a piece of luggage;  
FIG. 2 is a front view of the body section of the embodiment  
depicted in FIG. 1;  
FIG. 3 is a rear view of the body section of the embodiment  
depicted in FIG. 1;  
FIG. 4 is a side view of the embodiment depicted in FIG. 1  
coupled to a piece of luggage;  
FIG. 5 is a top view of the embodiment depicted in FIG. 1  
coupled to a piece of luggage; and,  
FIG. 6 is a magnified view of the strap ends and lock which  
form part of the embodiment depicted in FIG. 1.

See application file for complete search history.

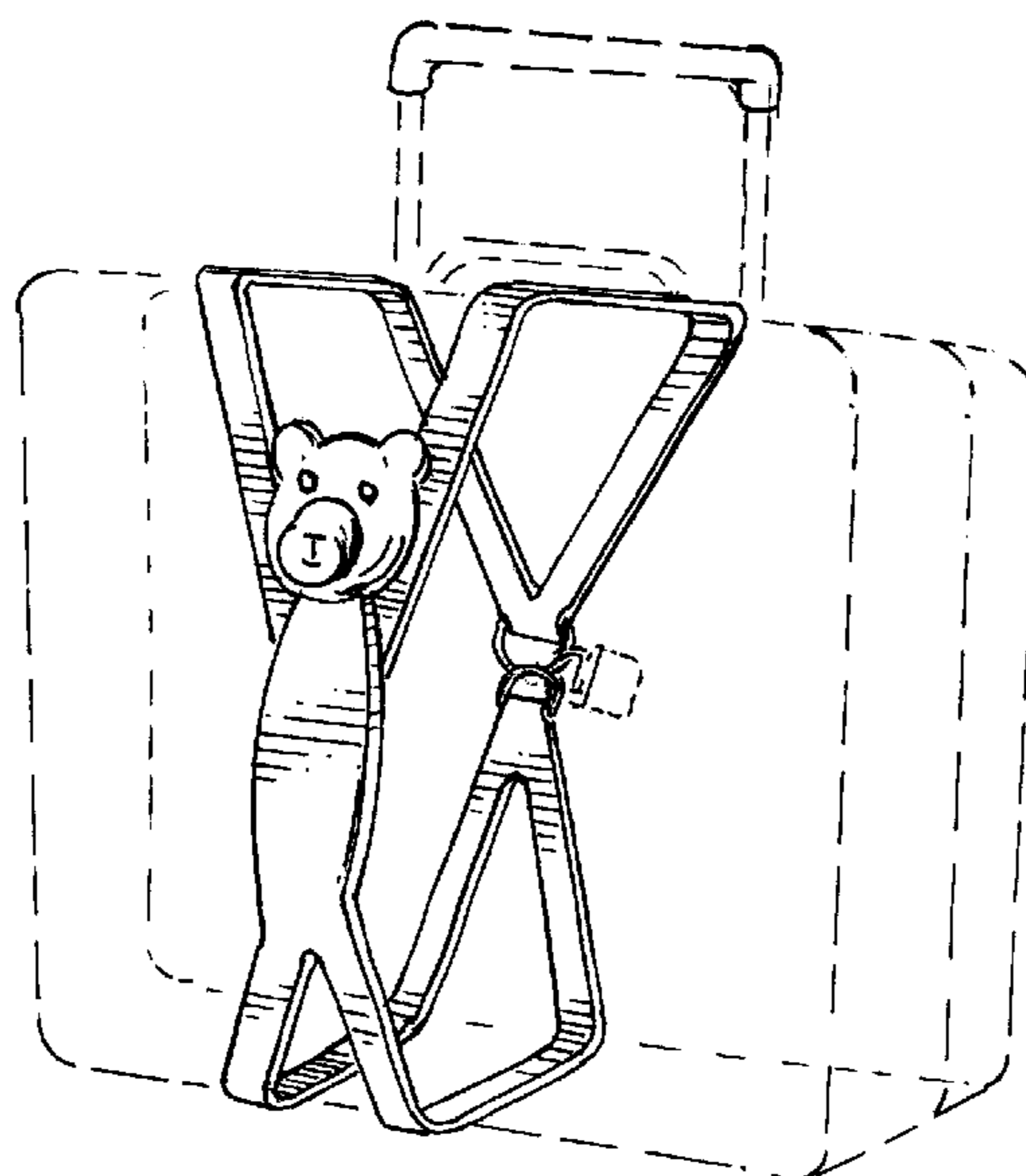
The broken lines showing in FIGS. 1, 5 and 6 are for  
illustrative purposes only and form no part of the claimed  
design.

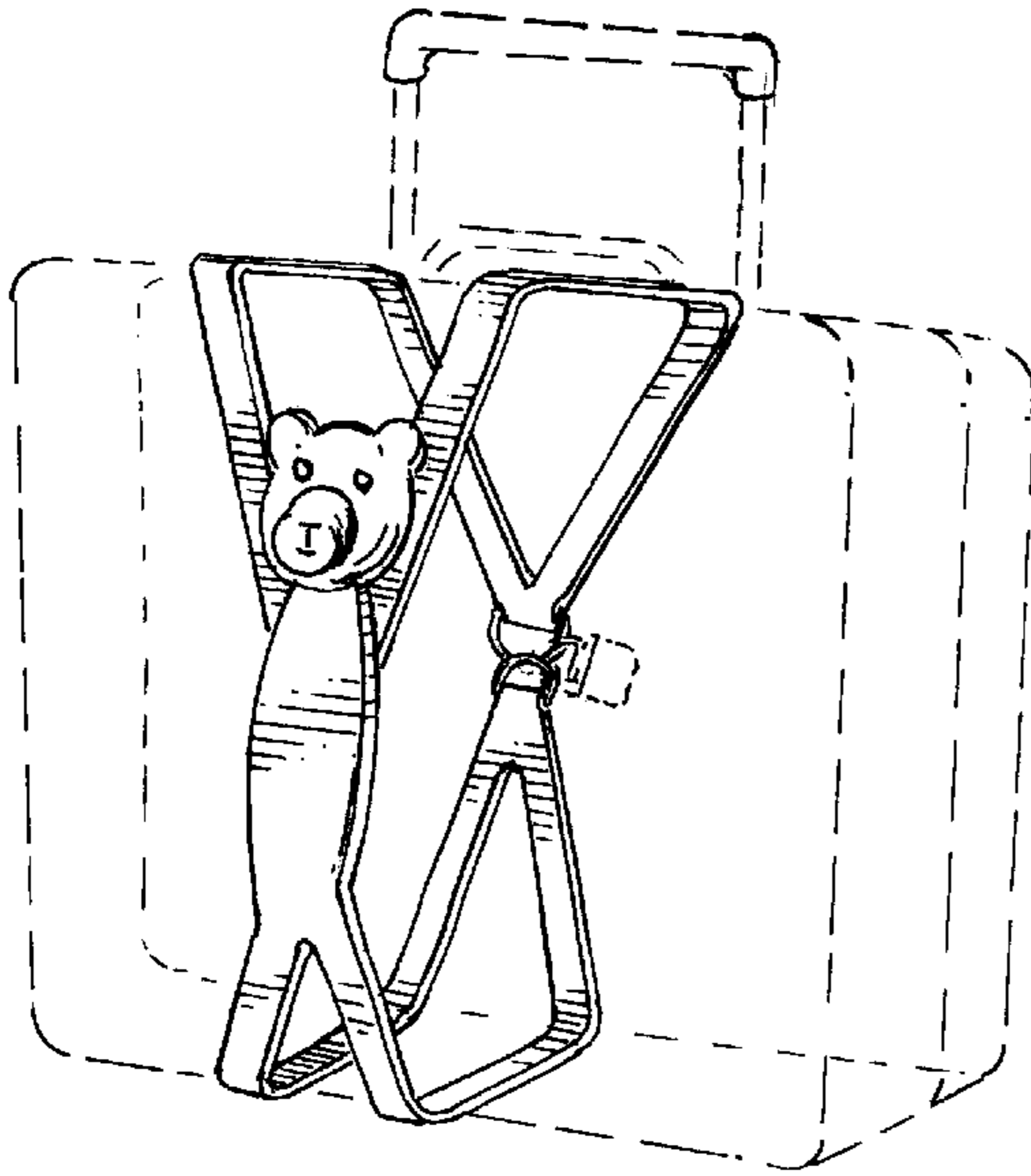
(56) **References Cited**

**U.S. PATENT DOCUMENTS**

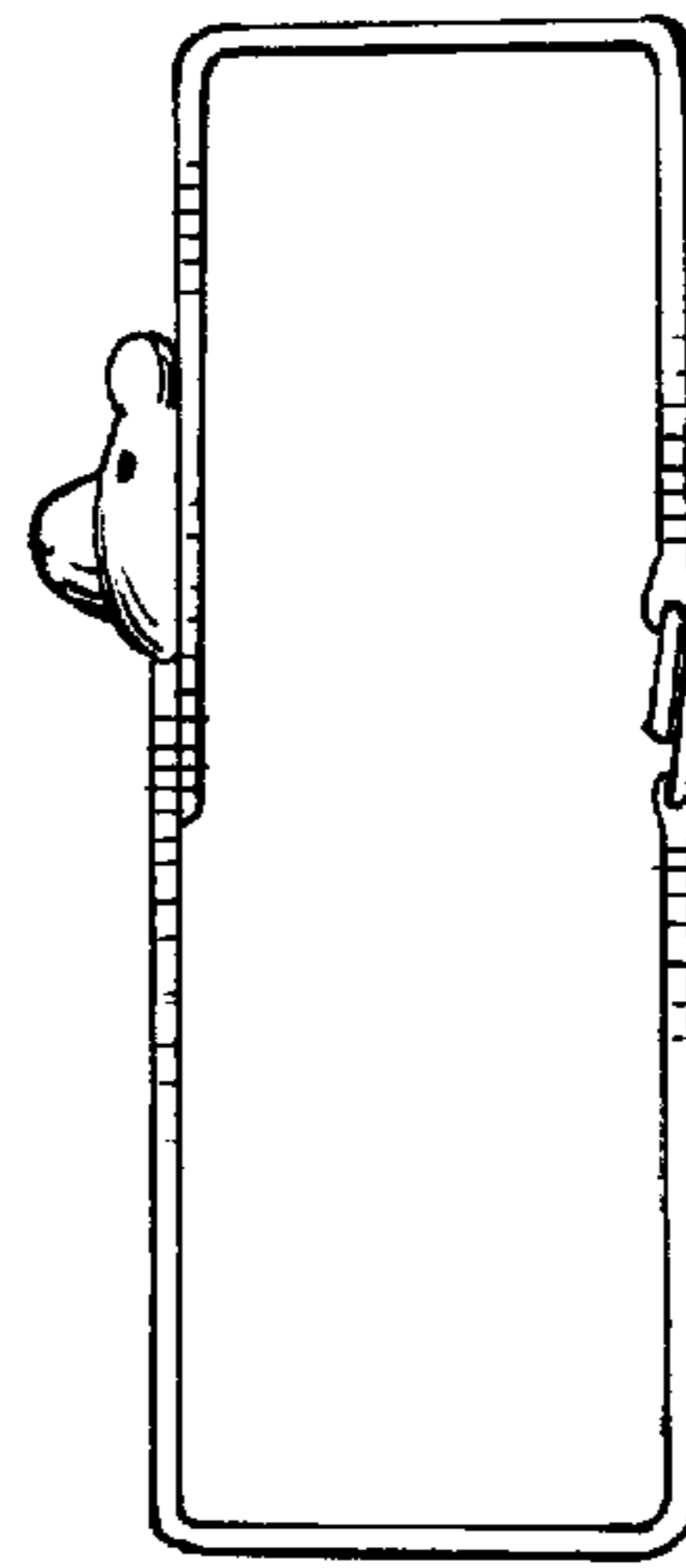
3,933,287 A \* 1/1976 Foley ..... 294/149  
5,172,795 A \* 12/1992 Riceman ..... 190/26  
D340,580 S \* 10/1993 Hirschy ..... D3/321  
5,293,975 A \* 3/1994 Howorka ..... 190/26

**1 Claim, 1 Drawing Sheet**

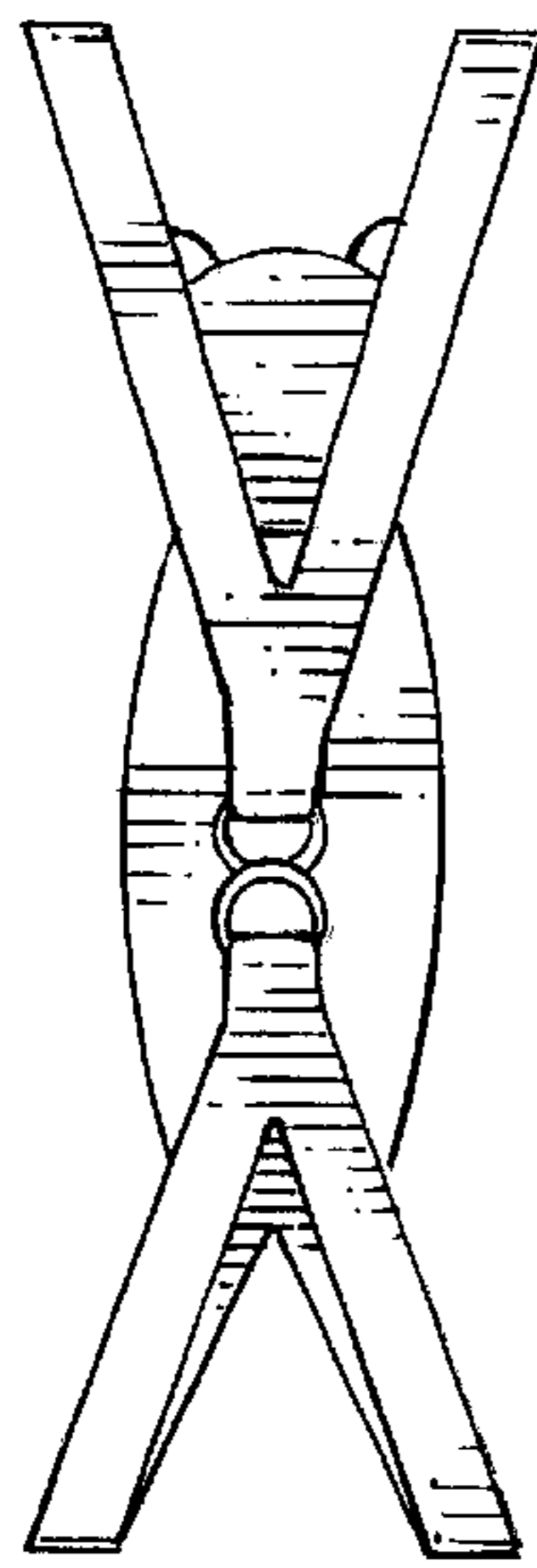




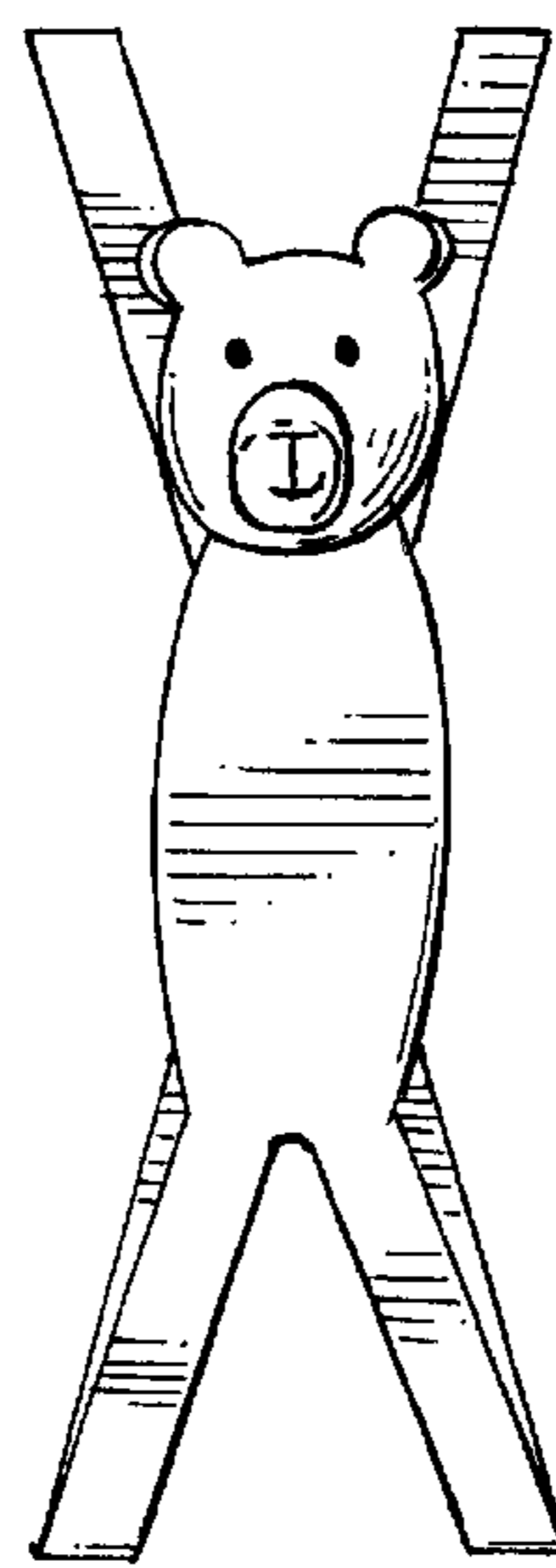
*Fig. 1*



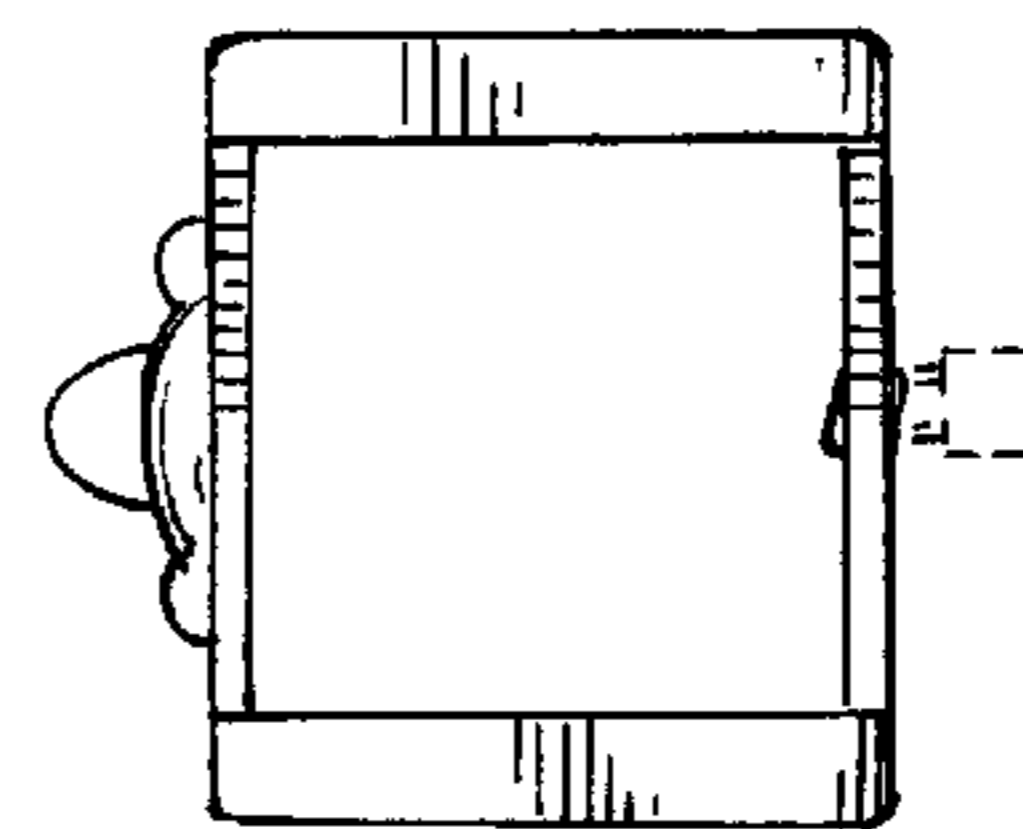
*Fig. 4*



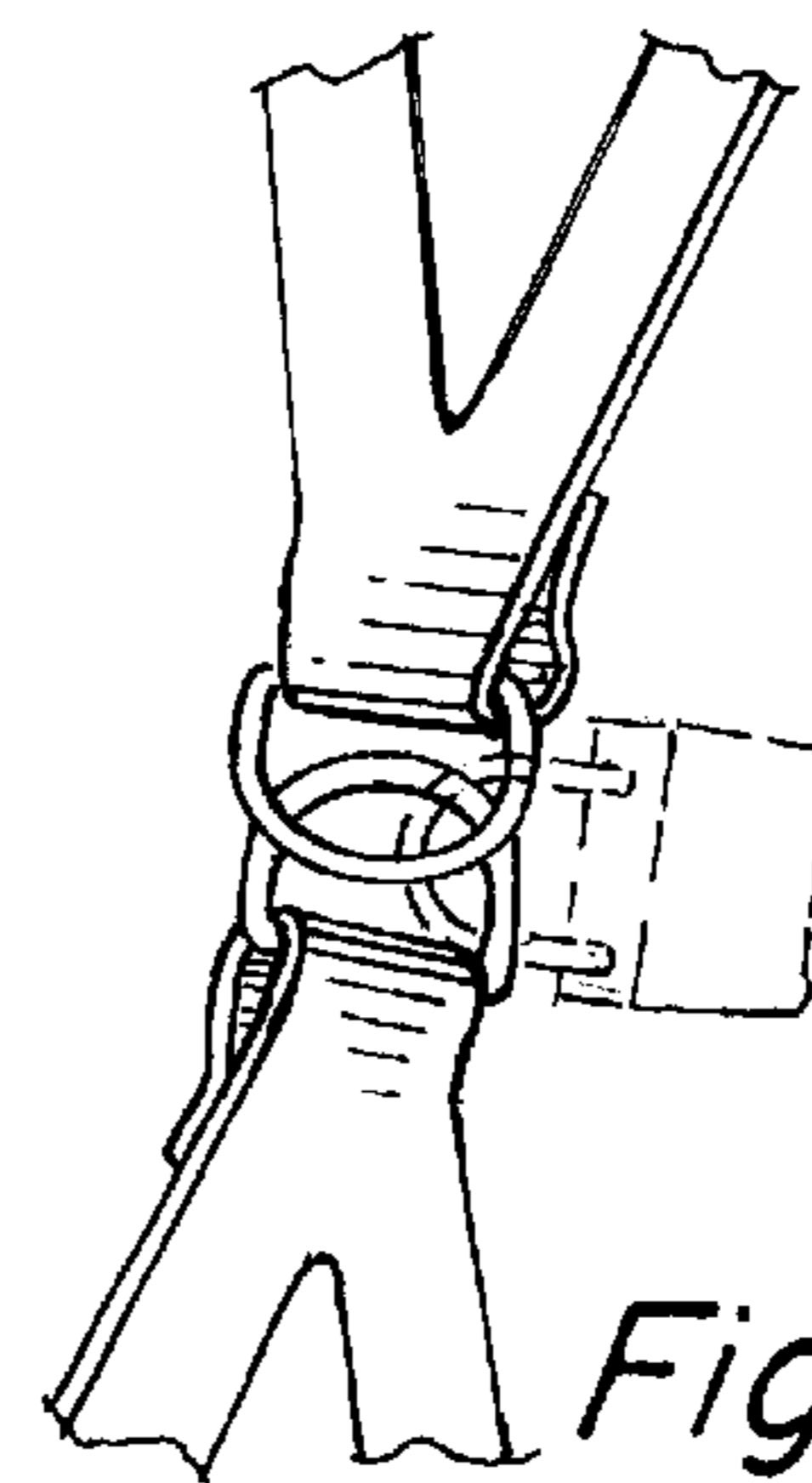
*Fig. 3*



*Fig. 2*



*Fig. 5*



*Fig. 6*