

US00D524541S

(12) **United States Design Patent**  
**Cauley**

(10) **Patent No.:** **US D524,541 S**  
(45) **Date of Patent:** **\*\* Jul. 11, 2006**

(54) **GUNSMITH CONTAINER**

(75) Inventor: **Dennis Cauley**, Boonville, MO (US)

(73) Assignee: **Battenfeld Technologies, Inc.**,  
Columbia, MO (US)

(\*\*) Term: **14 Years**

(21) Appl. No.: **29/216,641**

(22) Filed: **Oct. 28, 2004**

(51) **LOC (8) Cl.** ..... **03-01**

(52) **U.S. Cl.** ..... **D3/295; D3/294; D3/905**

(58) **Field of Classification Search** ..... D3/273,  
D3/280, 284, 294–295, 903, 905; 206/315.1,  
206/315.11, 317, 349, 372–374, 378, 579;  
220/23.91, 520

See application file for complete search history.

(56) **References Cited**

**U.S. PATENT DOCUMENTS**

D147,305 S	*	8/1947	Sloan	.....	D3/302
2,508,951 A	*	5/1950	Kazimier	.....	220/840
3,499,525 A	*	3/1970	Kanter	.....	206/379
D220,154 S	*	3/1971	Irelan	.....	D3/294
3,583,556 A	*	6/1971	Wagner	.....	206/373
D283,561 S	*	4/1986	Geist	.....	D3/296
D306,234 S	*	2/1990	Ferstl	.....	D19/75
D335,896 S	*	5/1993	Evenson	.....	D19/83
D403,176 S	*	12/1998	Harper	.....	D6/440
6,021,891 A	*	2/2000	Anderson	.....	206/214
D473,376 S	*	4/2003	Abate	.....	D3/294

**OTHER PUBLICATIONS**

MIDWAY USA, Chapman 27–Piece Deluxe Screwdriver Set, Master Catalog and Reference Guide #2, 2004, p. 440.  
MIDWAY USA, Pachmayr Professional Screwdriver Set, Master Catalog and Reference Guide #2, 2004, p. 448.  
MIDWAY USA, Wheeler Engineering Space–Saver Gunsmithing Screwdriver Set, Master Catalog and Reference Guide #2, 2004, p. 453.

Brownells Inc., Brownells Magna–Tip Screwdriver, Brownells Catalog No. 54 for 2001–2002, 2001, p. 151.

Brownells Inc., Brownells Magna–Tip Super–Sets, Brownells Catalog No. 54 for 2001–2002, 2001, p. 153.

B–SQUARE, Pro Gunsmith Screwdriver Set, B–Square Mounts Tools Accessories Product Catalog, p. 23, date unknown.

\* cited by examiner

*Primary Examiner*—Philip S. Hyder

*Assistant Examiner*—RoseLynne Ulm

(74) *Attorney, Agent, or Firm*—Senniger Powers

(57) **CLAIM**

The ornamental design for a gunsmith container, as shown and described.

**DESCRIPTION**

FIG. 1 is a front perspective of a gunsmith container of the present invention;

FIG. 2 is a top plan thereof;

FIG. 3 is a right side elevation thereof, a left side elevation being a mirror image of the right side elevation;

FIG. 4 is a bottom plan thereof;

FIG. 5 is a front elevation thereof;

FIG. 6 is a rear elevation thereof;

FIG. 7 is a front perspective of the container with a cover in an open position;

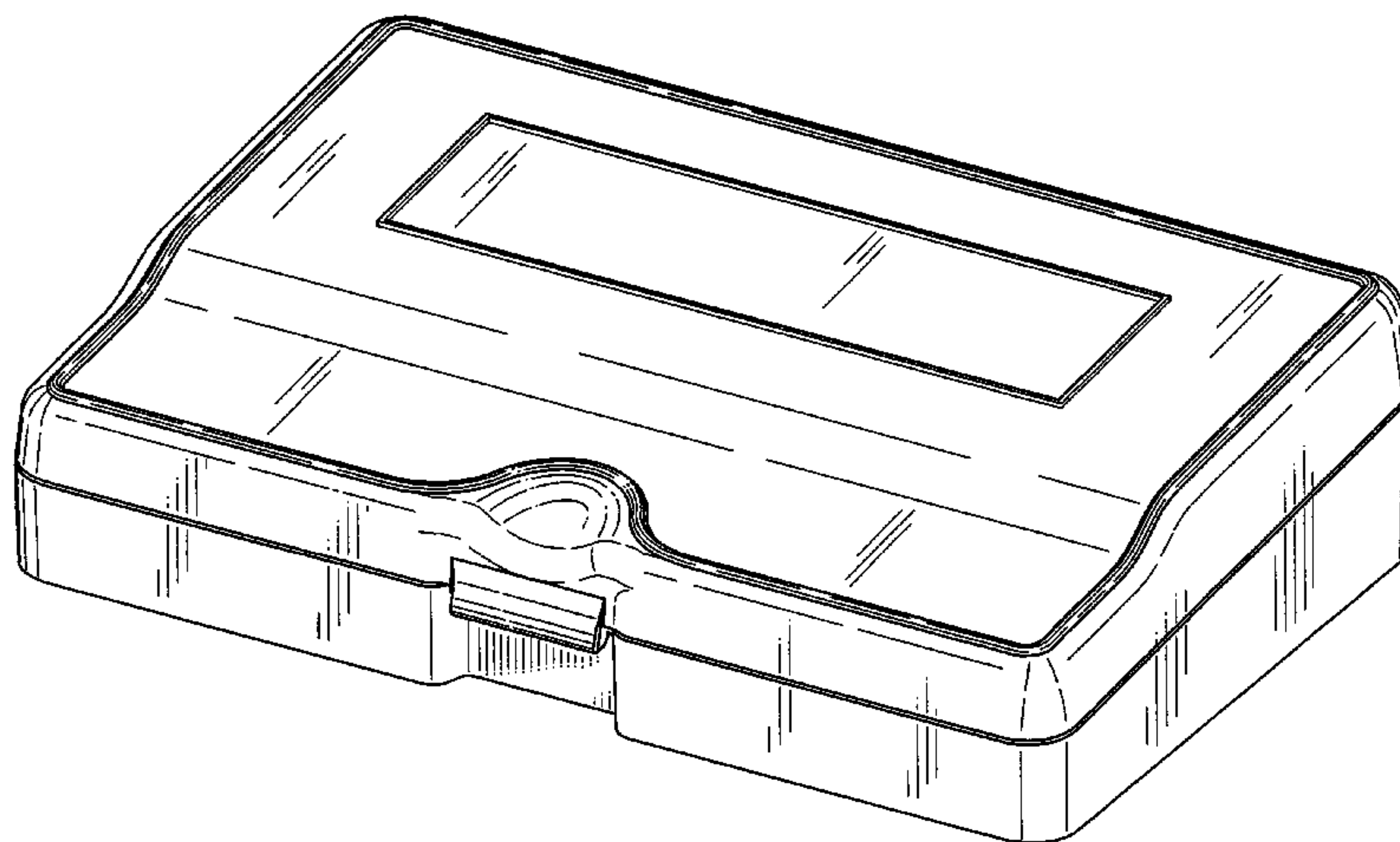
FIG. 8 is a top plan of the container with the cover in the open position;

FIG. 9 is a right side elevation of the container with the cover in the open position;

FIG. 10 is a front elevation of the container with the cover in the open position; and,

FIG. 11 is a left side elevation of the container with the cover in the open position.

**1 Claim, 11 Drawing Sheets**



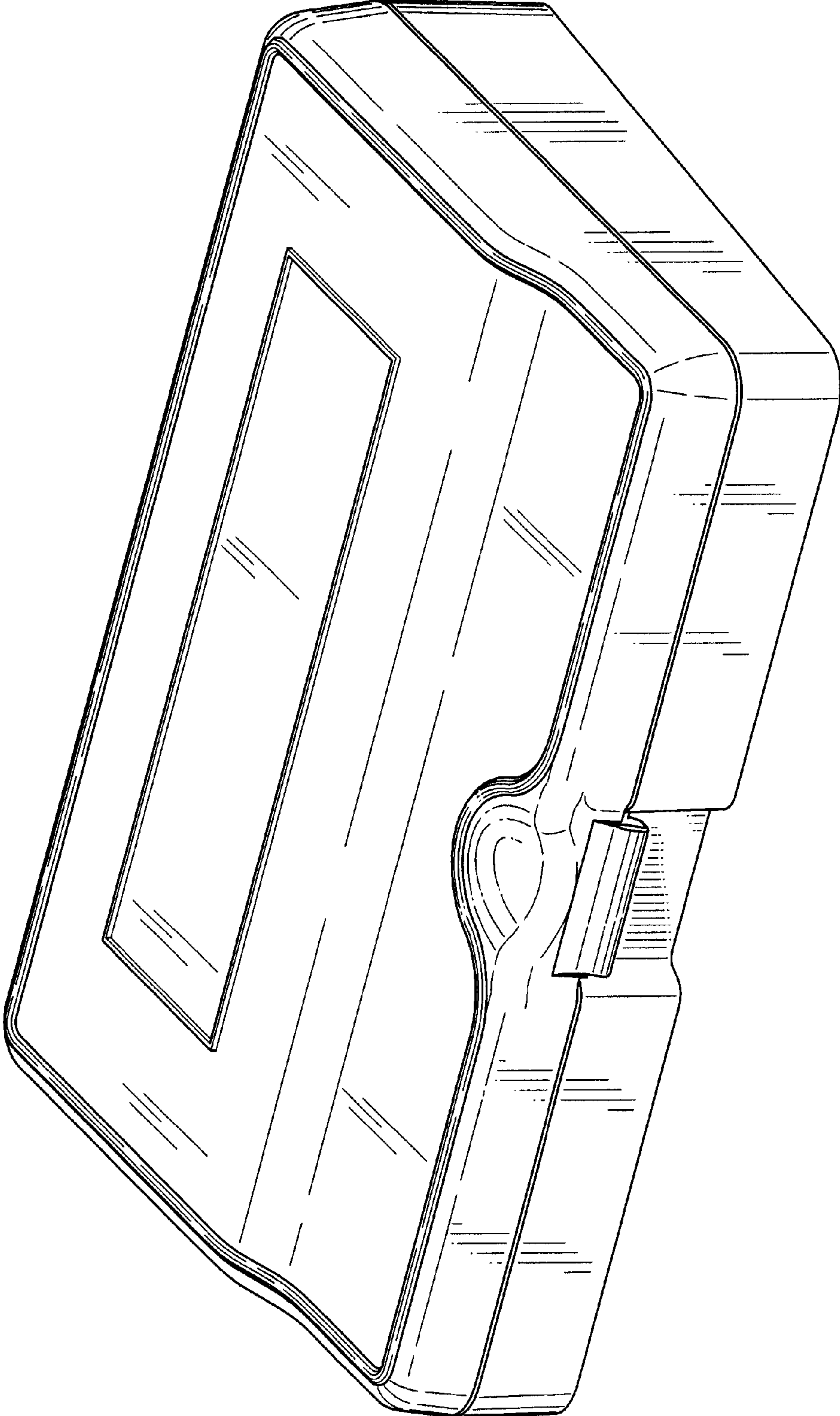
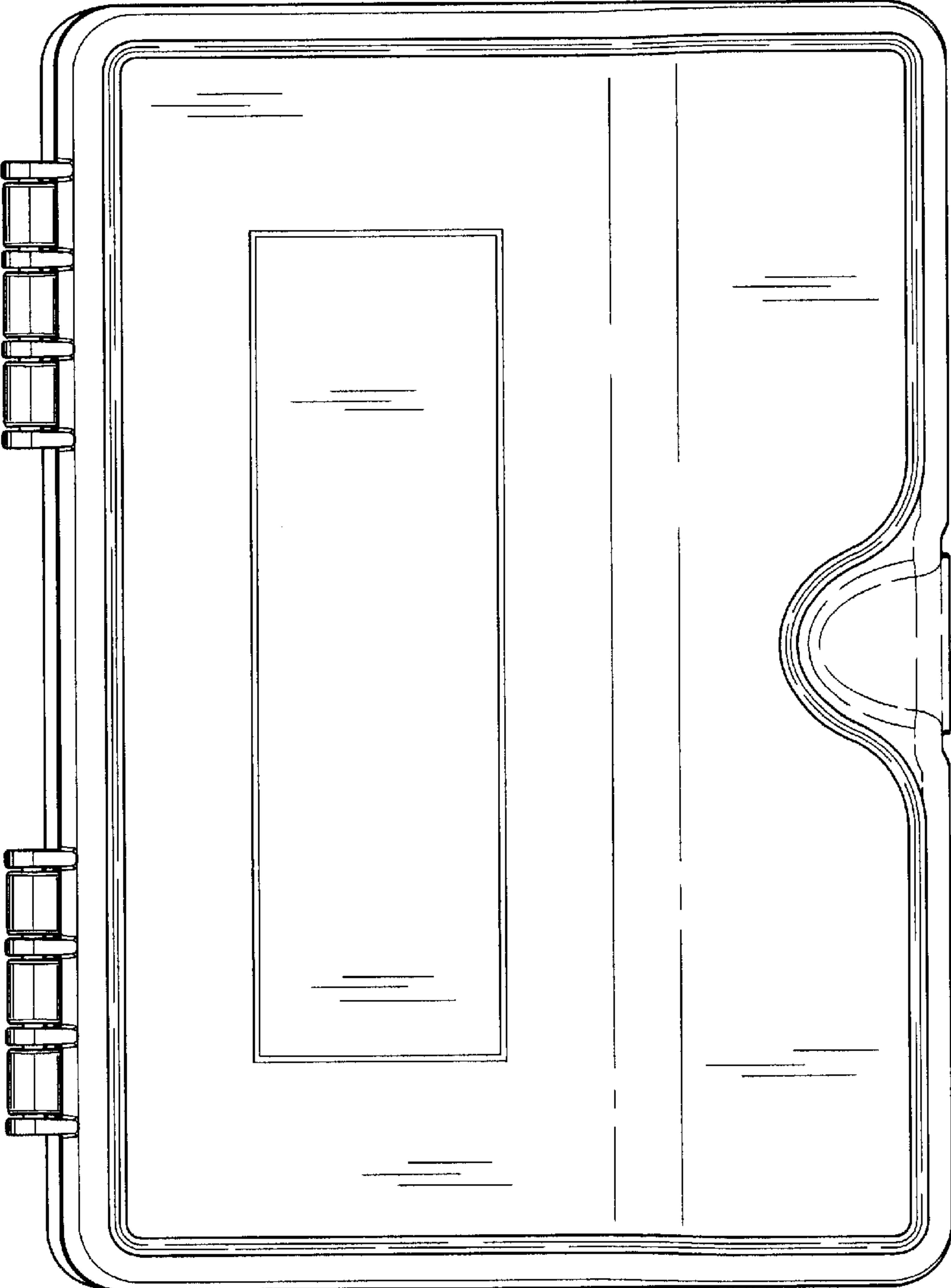


FIG. 1

FIG. 2



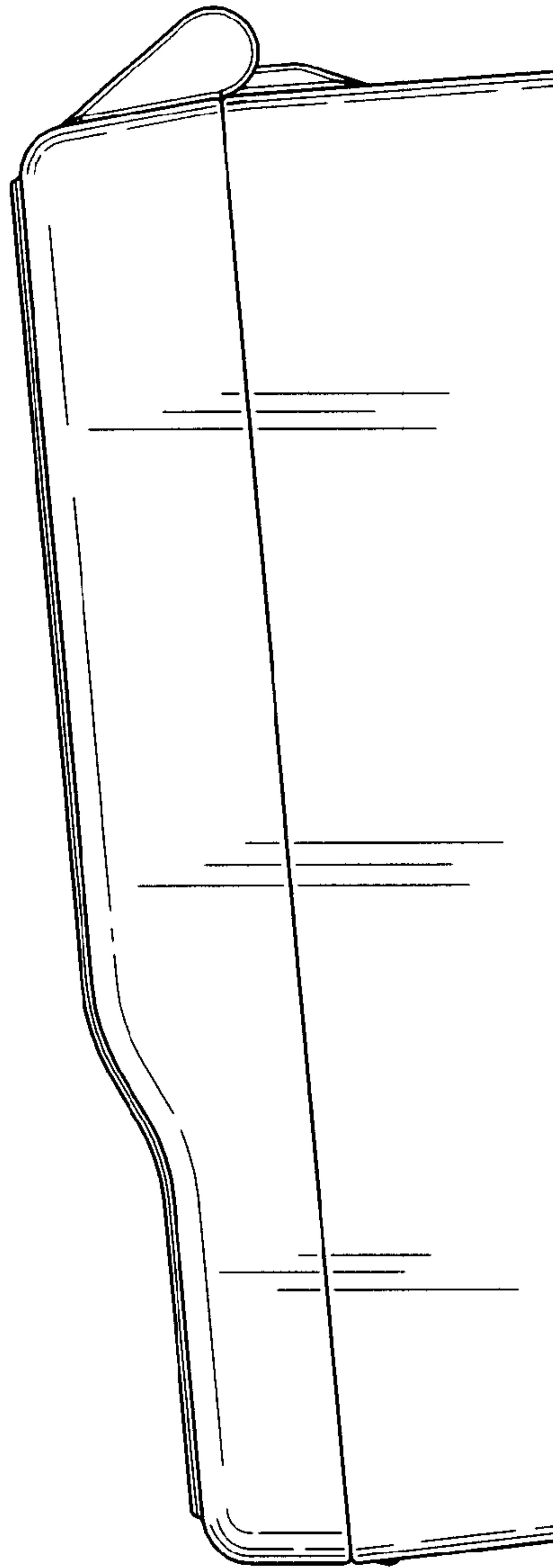


FIG. 3



FIG. 4

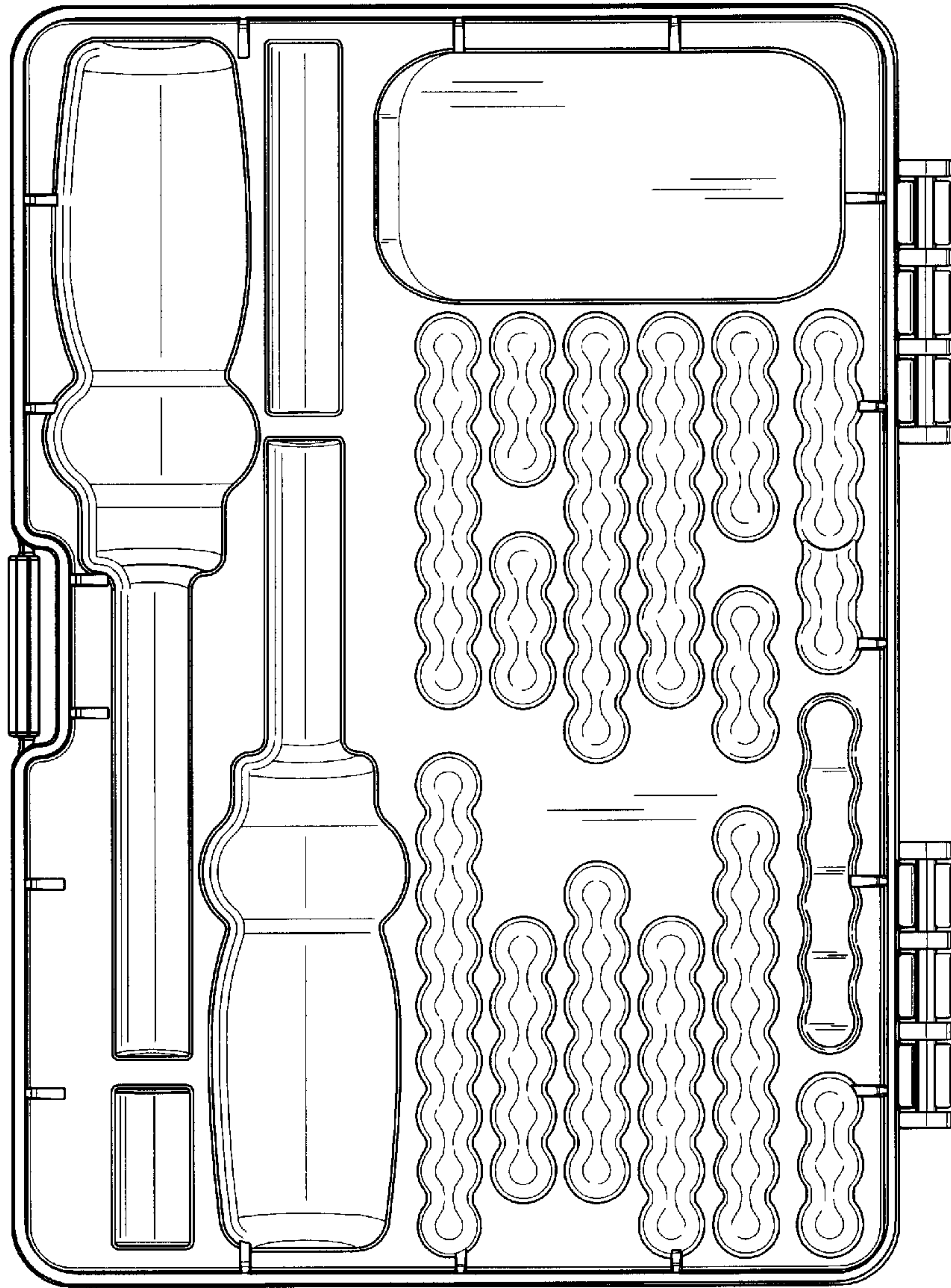


FIG. 5

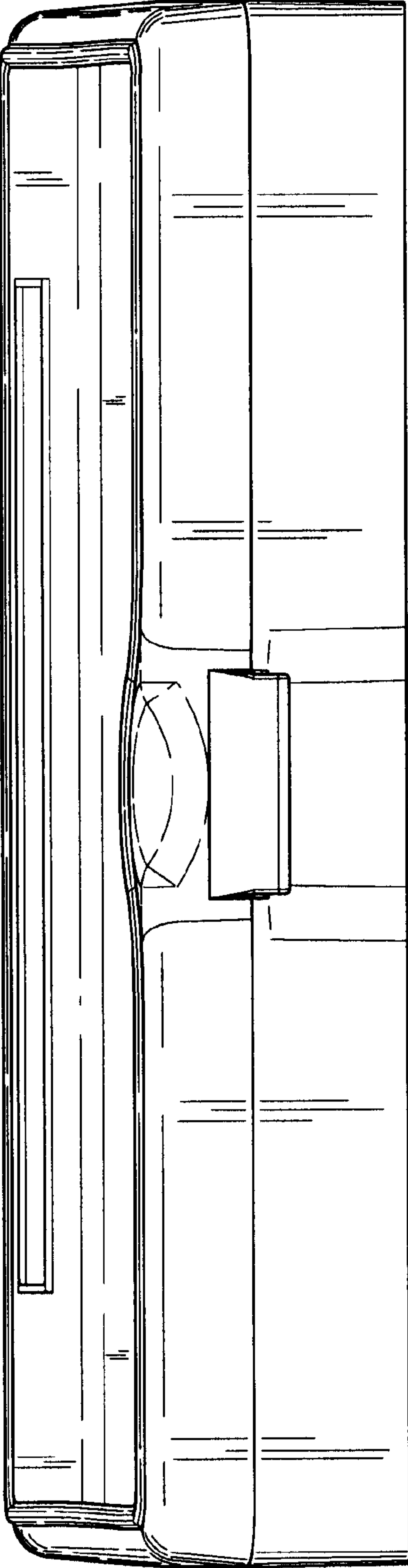
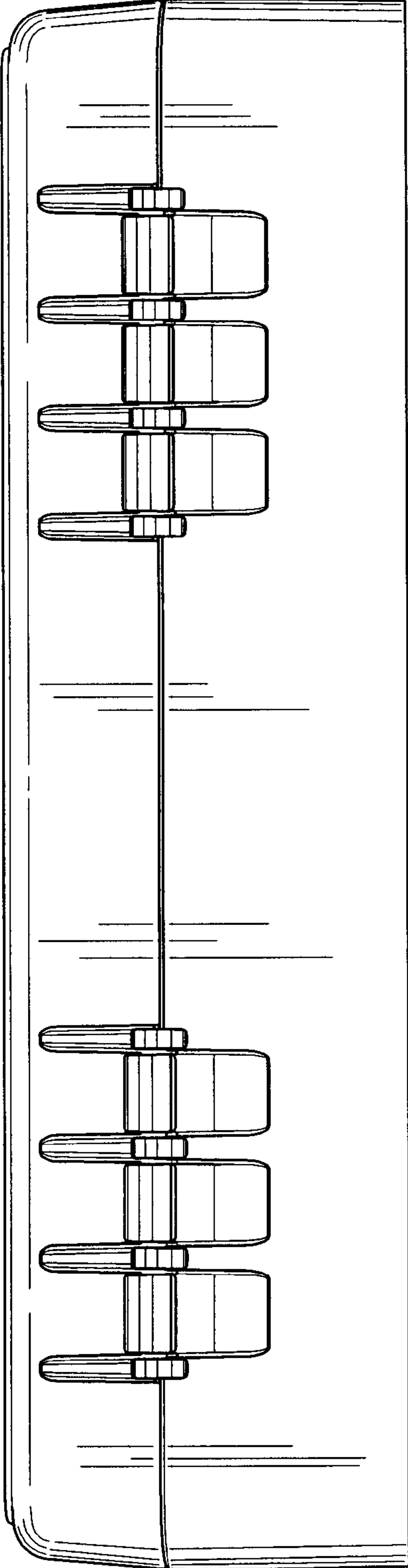


FIG. 6



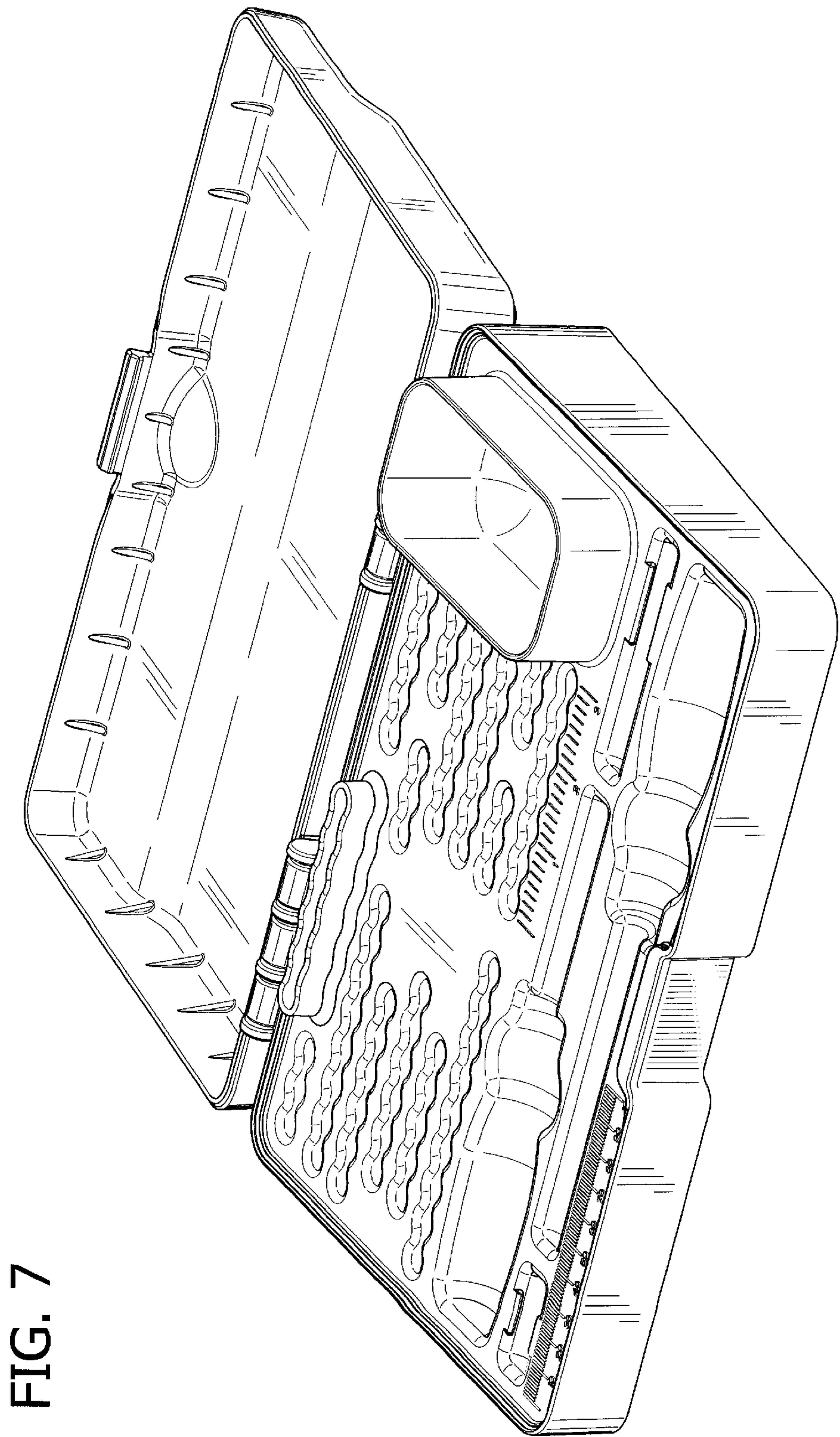


FIG. 7



FIG. 8

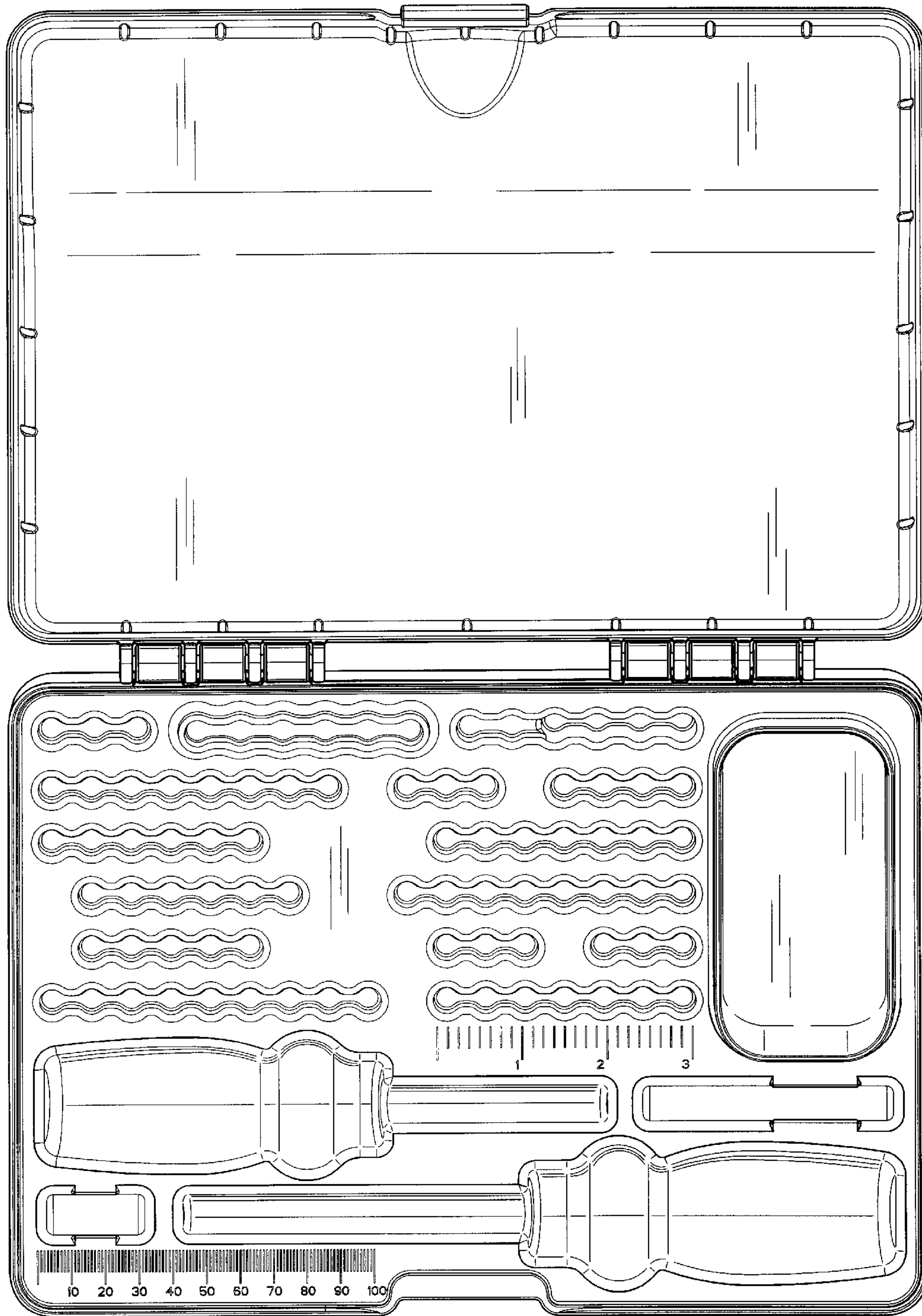


FIG. 9

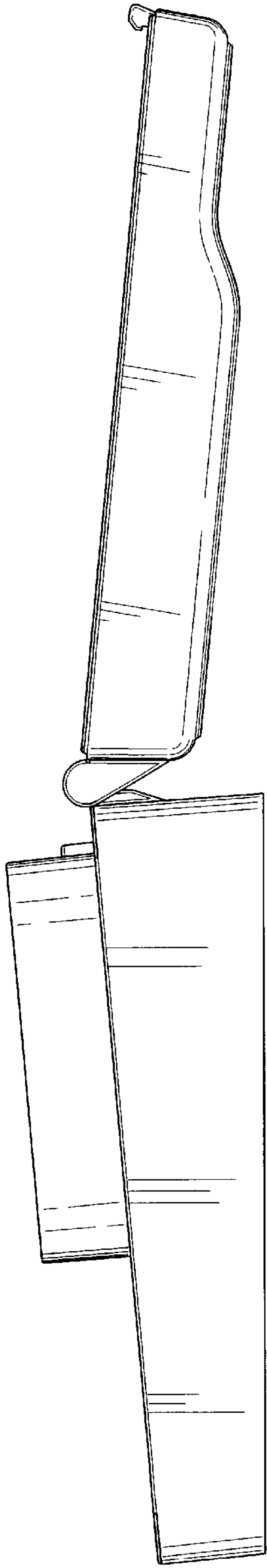
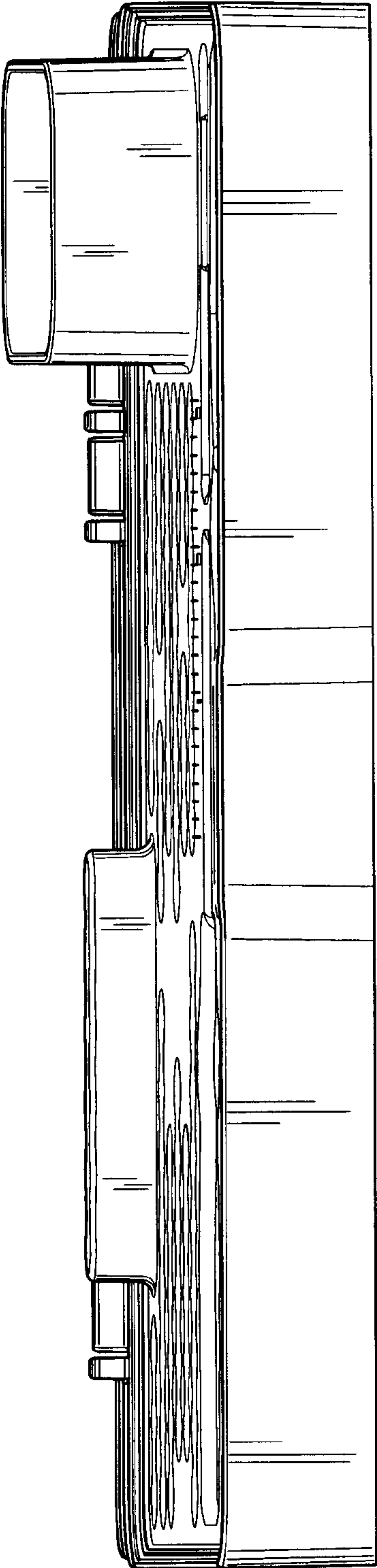


FIG. 10



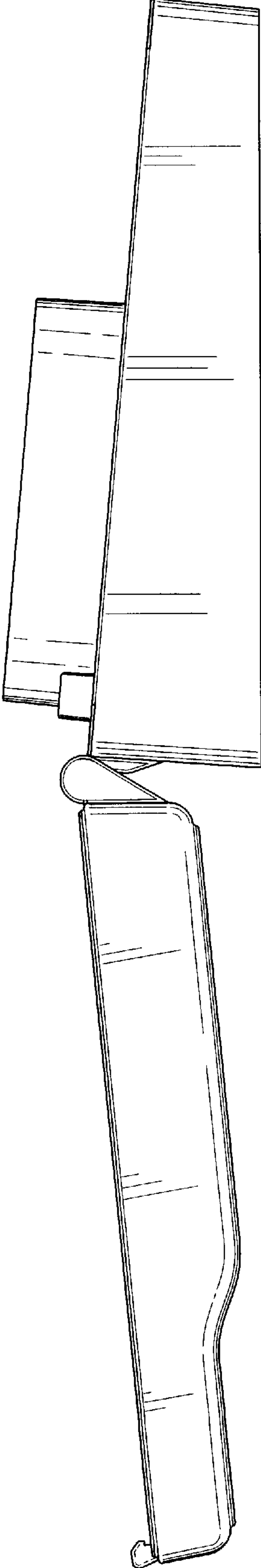


FIG. 11