

US00D524538S

(12) **United States Design Patent**  
**Gonzalez**

(10) **Patent No.:** **US D524,538 S**

(45) **Date of Patent:** **\*\* Jul. 11, 2006**

(54) **WALLET**

(75) **Inventor:** **Alvaro Gonzalez**, Florence (IT)

(73) **Assignee:** **J. Choo (Jersey) Limited**, Jersey (GB)

(\*\*) **Term:** **14 Years**

(21) **Appl. No.:** **29/221,717**

(22) **Filed:** **Jan. 18, 2005**

(30) **Foreign Application Priority Data**

Sep. 28, 2004 (EM) ..... 234901-010

(51) **LOC (8) Cl.** ..... **03-01**

(52) **U.S. Cl.** ..... **D3/247**

(58) **Field of Classification Search** ..... D3/232-253,  
D3/303, 305, 318, 322, 324; 150/100, 107,  
150/108, 110, 109, 118, 130, 900, 190, 121;  
383/907

See application file for complete search history.

(56) **References Cited**

**U.S. PATENT DOCUMENTS**

847,295 A	3/1907	Randall	
D74,480 S	2/1928	Cowen	
D137,864 S	* 5/1944	Joles	D3/243
D164,621 S	* 9/1951	Bienen	D3/233
D287,428 S	* 12/1986	Knoepke	D3/299
D324,771 S	* 3/1992	Dixsaut	D3/243
D332,006 S	* 12/1992	Ross	D3/243
D342,383 S	* 12/1993	Fuchs et al.	D3/239
5,503,204 A	* 4/1996	Byers et al.	150/105
D418,976 S	* 1/2000	du Sartel	D3/243
D422,405 S	* 4/2000	du Sartel	D3/243
D429,562 S	8/2000	Lau	

D434,219 S	* 11/2000	Haapala	D3/246
D485,680 S	* 1/2004	Hasenfrantz	D3/265
D492,482 S	* 7/2004	Hanley	D3/243
D497,248 S	* 10/2004	Anderson et al.	D3/238
D498,360 S	* 11/2004	de Baschmakoff	D3/243
D501,998 S	* 2/2005	Gonzalez	D3/326
D507,403 S	* 7/2005	Hanley	D3/243
D507,873 S	* 8/2005	Hanley	D3/243

**OTHER PUBLICATIONS**

J. Choo (Jersey) Limited, Tahula Range, Undated photograph.

U.S. Appl. No. 29/221,778, filed Jan. 20, 2005.

\* cited by examiner

*Primary Examiner*—Ian Simmons

*Assistant Examiner*—Melanie Levy

(74) *Attorney, Agent, or Firm*—Fross Zelnick Lehrman & Zissu, P.C.

(57) **CLAIM**

The ornamental design for a wallet, as shown and described.

**DESCRIPTION**

FIG. 1 is a front perspective view of a wallet showing my new design;

FIG. 2 is a rear view thereof;

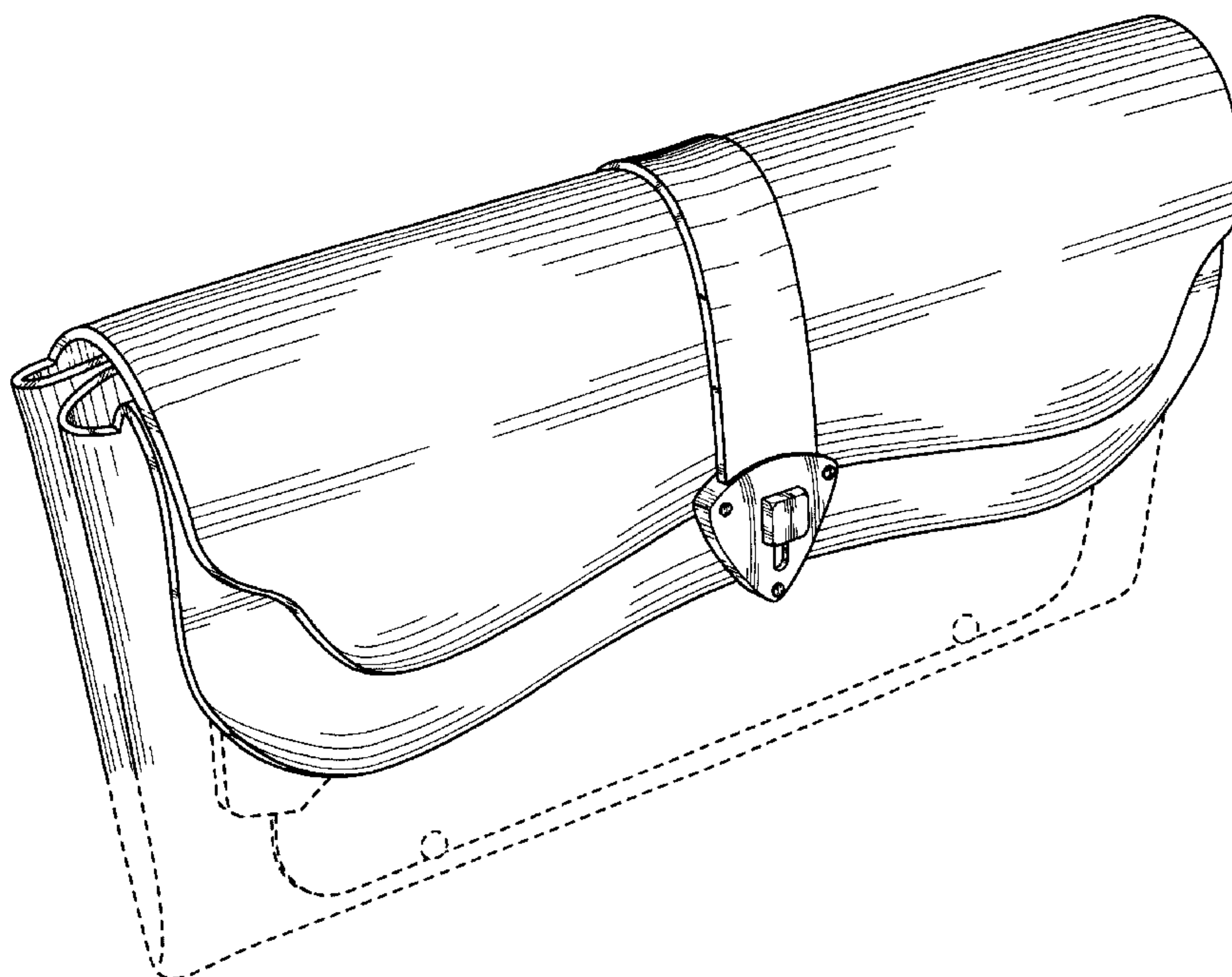
FIG. 3 is a bottom view thereof;

FIG. 4 is a left side view thereof; and,

FIG. 5 is a right side view thereof.

The broken line showing of the snap jewel closure piece and the bottom and back portions of the wallet is for illustrative purposes only and forms no part of the claimed design.

**1 Claim, 4 Drawing Sheets**



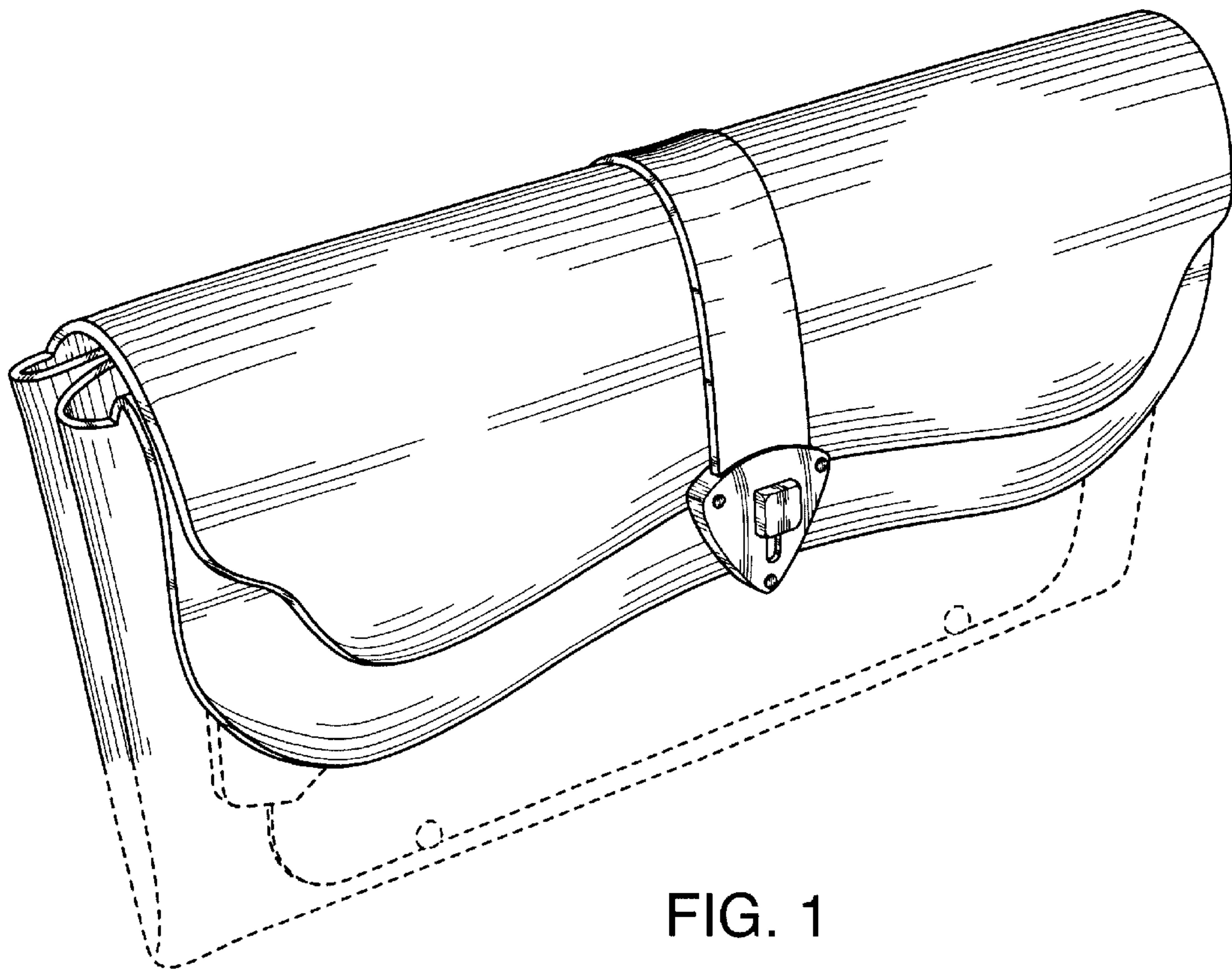


FIG. 1

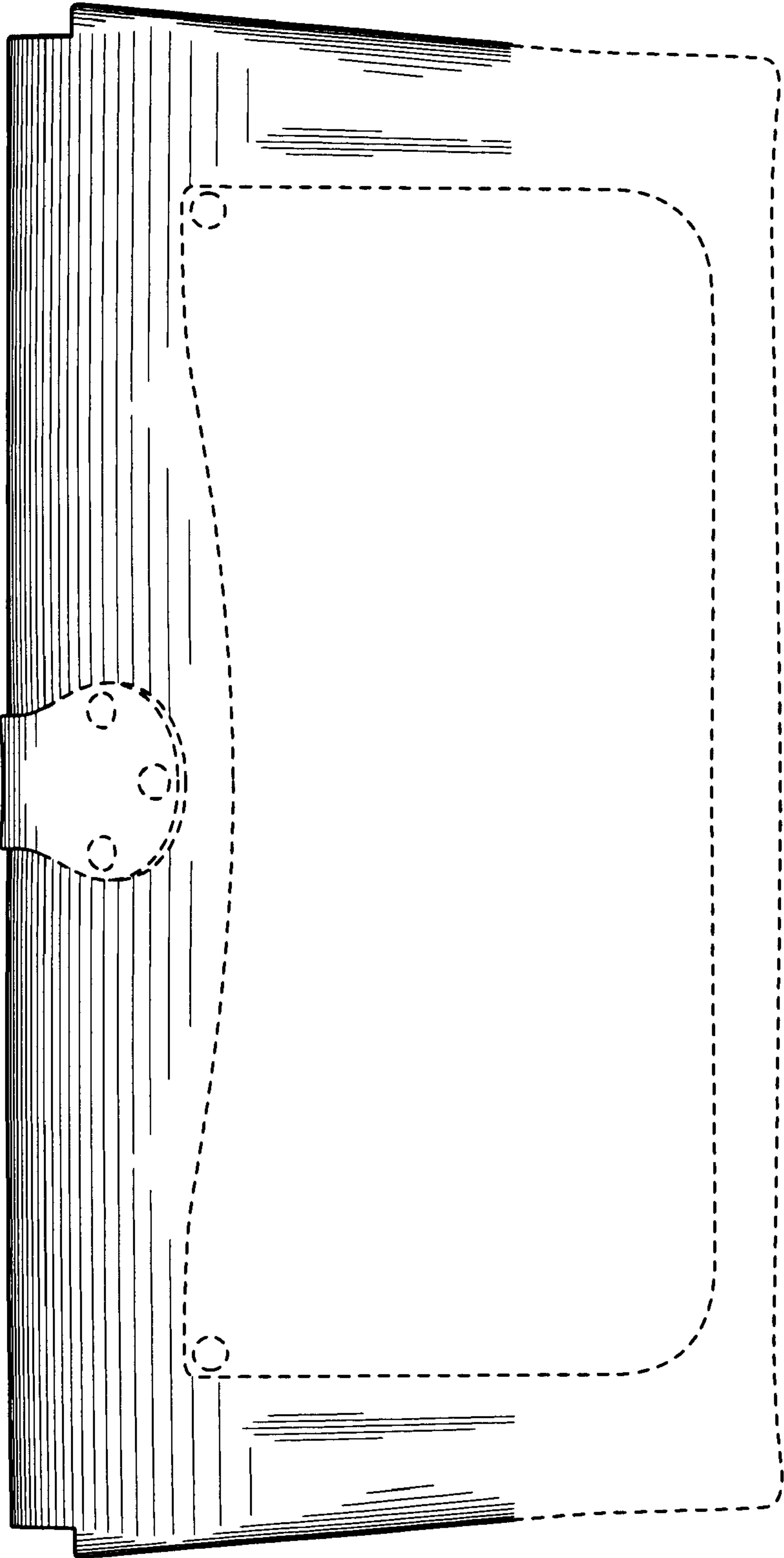


FIG. 2

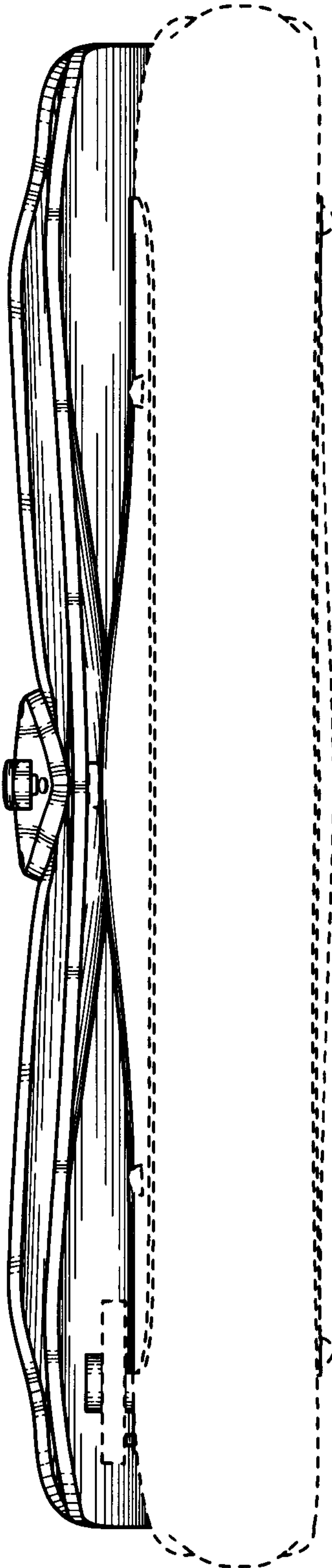


FIG. 3

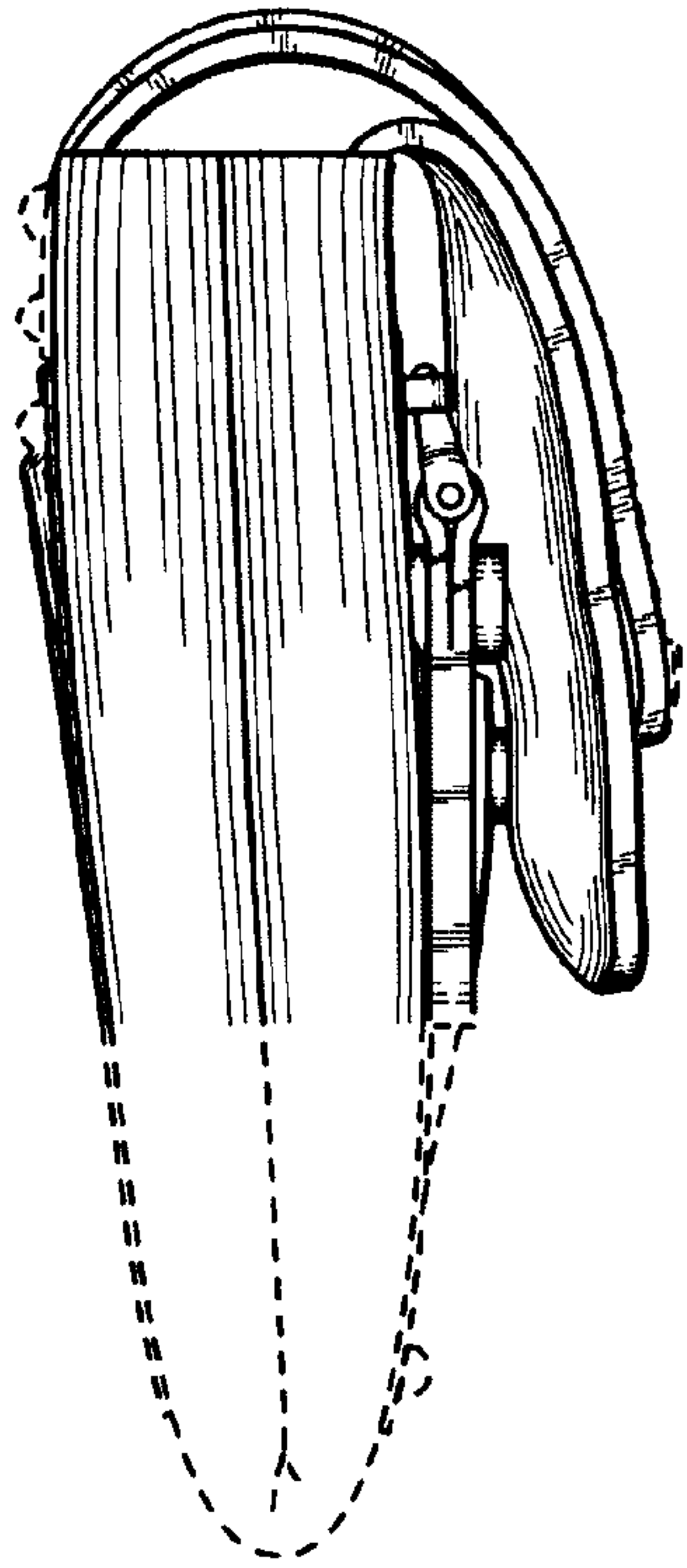


FIG. 4

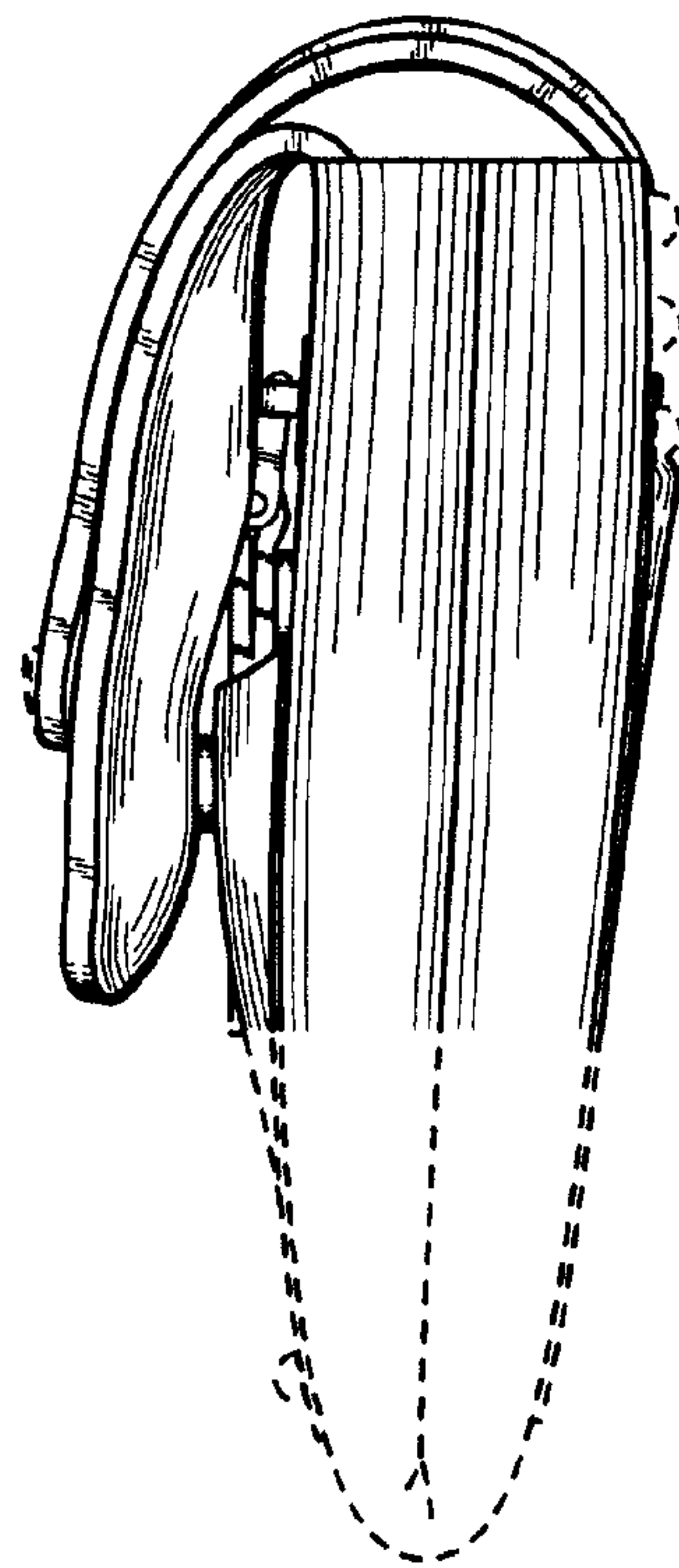


FIG. 5