



US00D524508S

(12) **United States Design Patent**  
**Lichtenvort**

(10) **Patent No.:** **US D524,508 S**

(45) **Date of Patent:** **\*\* Jul. 4, 2006**

(54) **CHAIN BLOCK**

(75) Inventor: **Uwe Lichtenvort**, Essen (DE)

(73) Assignee: **Demag Cranes & Components GmbH**, Wetter (DE)

(\*\*) Term: **14 Years**

(21) Appl. No.: **29/198,853**

(22) Filed: **Feb. 5, 2004**

(30) **Foreign Application Priority Data**

Aug. 15, 2003 (DE) ..... 4 03 05 376

(51) **LOC (8) Cl.** ..... **12-05**

(52) **U.S. Cl.** ..... **D34/33**

(58) **Field of Classification Search** ..... D34/28,  
D34/22, 35; 280/490.1; 254/382, 374, 356,  
254/380; 294/82.11; D12/162; 414/467  
See application file for complete search history.

(56) **References Cited**

**U.S. PATENT DOCUMENTS**

2,244,221	A	*	6/1941	Schroeder	.....	254/356
D152,124	S	*	12/1948	Parker	.....	D34/33
2,608,004	A	*	8/1952	Pinanski	.....	34/199
3,139,268	A	*	6/1964	Carroll	.....	254/369
3,370,832	A	*	2/1968	Spyridakis	.....	254/344
D220,772	S	*	5/1971	Hawkins et al.	.....	D34/33
4,097,024	A	*	6/1978	Schreyer	.....	254/266
4,218,046	A	*	8/1980	Bathum et al.	.....	254/266
D307,659	S	*	5/1990	Kobayashi et al.	.....	D34/33
D307,965	S	*	5/1990	Eley et al.	.....	D34/33
D309,969	S	*	8/1990	Tamura	.....	D34/33
D347,508	S	*	5/1994	Kubota et al.	.....	D34/35
D377,555	S	*	1/1997	Ueno	.....	D34/33
D407,175	S	*	3/1999	Nishimura	.....	D34/33
D411,364	S	*	6/1999	Sasaki et al.	.....	D34/33
D421,172	S	*	2/2000	Mizutani et al.	.....	D34/33

D438,358	S	*	2/2001	Huang	.....	D34/33
D439,722	S	*	3/2001	Huang	.....	D34/33
D459,048	S	*	6/2002	Leemans	.....	D34/33
D471,338	S	*	3/2003	Hodge	.....	D34/33
D473,992	S	*	4/2003	Hodge	.....	D34/33
D475,499	S	*	6/2003	Hodge	.....	D34/33
D491,333	S	*	6/2004	Blasek	.....	D34/33

\* cited by examiner

*Primary Examiner*—Cynthia E. Ramirez

(74) *Attorney, Agent, or Firm*—Van Dyke, Gardner, Linn & Burkhart, LLP

(57) **CLAIM**

The ornamental design for the chain block, as shown and described.

**DESCRIPTION**

FIG. 1 is a perspective view of a chain block taken from the top, front, right side thereof;

FIG. 2 is a perspective view of the chain block in FIG. 1 taken from the bottom, rear, left side thereof;

FIG. 3 is a perspective view of the body of the chain block in FIG. 1 taken from the front, right side thereof;

FIG. 4 is a perspective view of the chain block body in FIG. 3 taken from the rear, left side thereof;

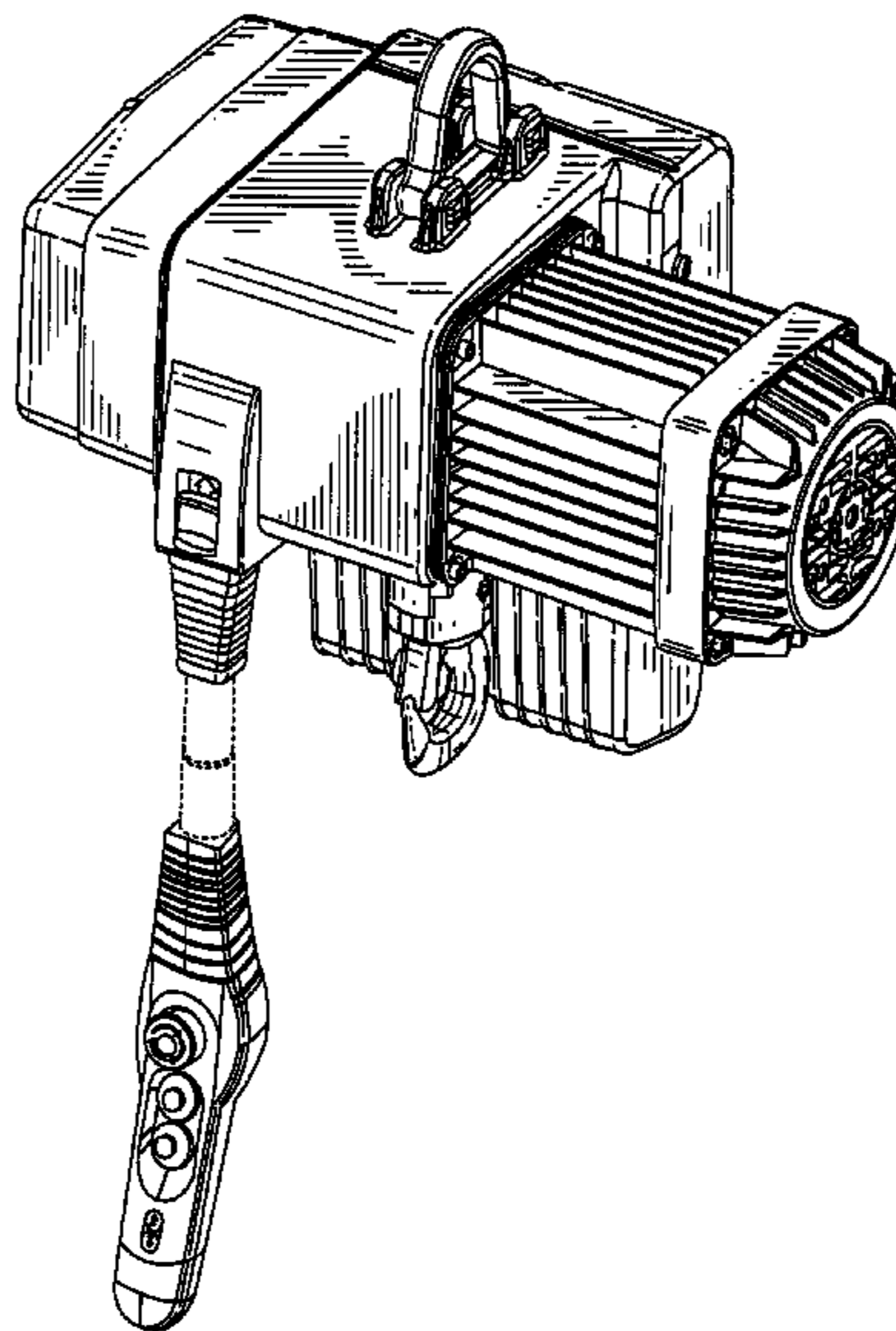
FIG. 5 is a perspective view of the pendant switch assembly of the chain block in FIG. 1 taken from the top, front, right side thereof;

FIG. 6 is a perspective view of the chain block pendant switch assembly in FIG. 5 taken from the front, right side thereof; and,

FIG. 7 is a perspective view of the chain block pendant switch assembly in FIG. 5 taken from the rear, left side thereof.

The chain block is shown without the pendant switch in FIGS. 3 and 4 and the pendant switch is shown by itself in FIGS. 5–7 for convenience of illustration.

**1 Claim, 7 Drawing Sheets**



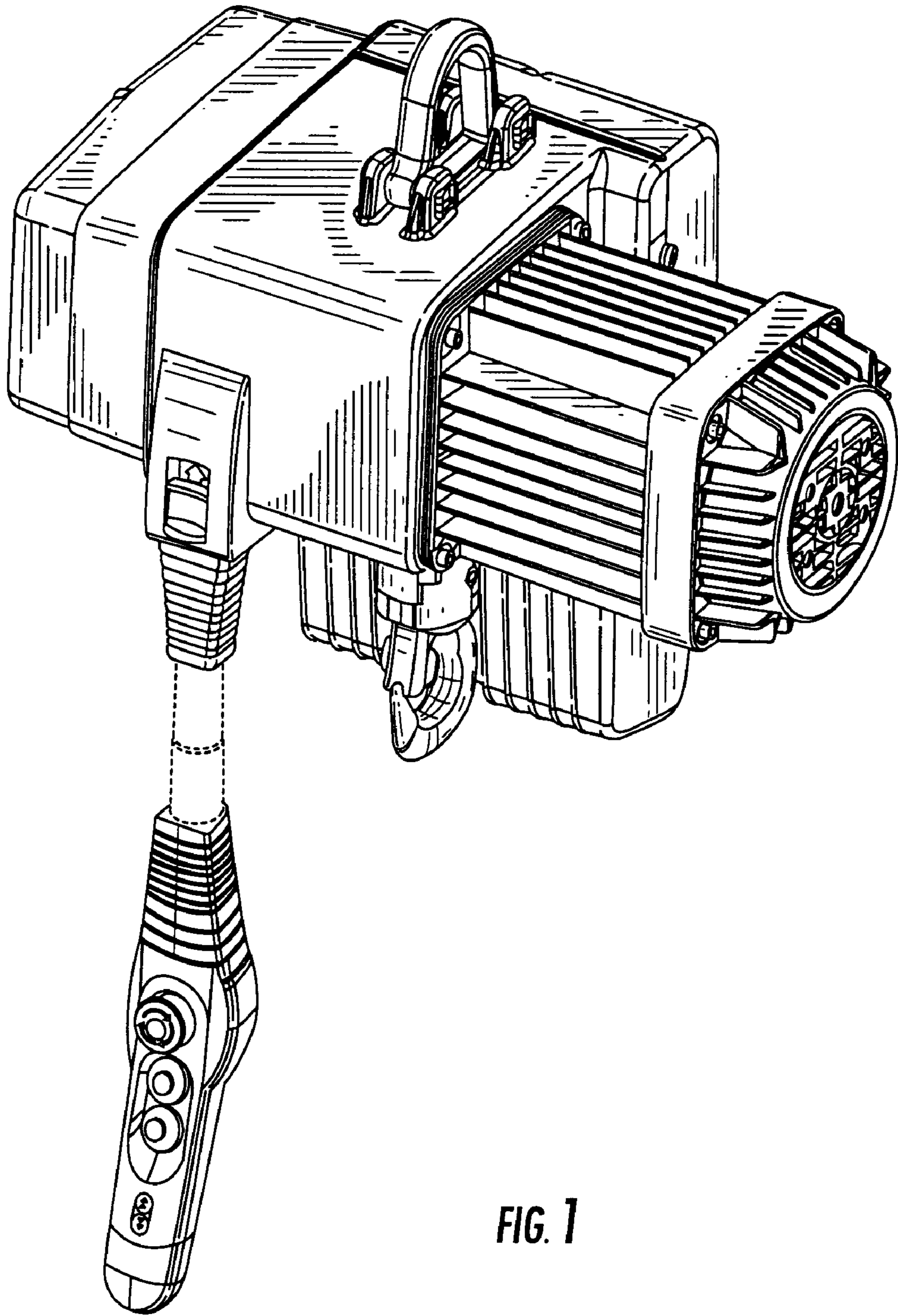
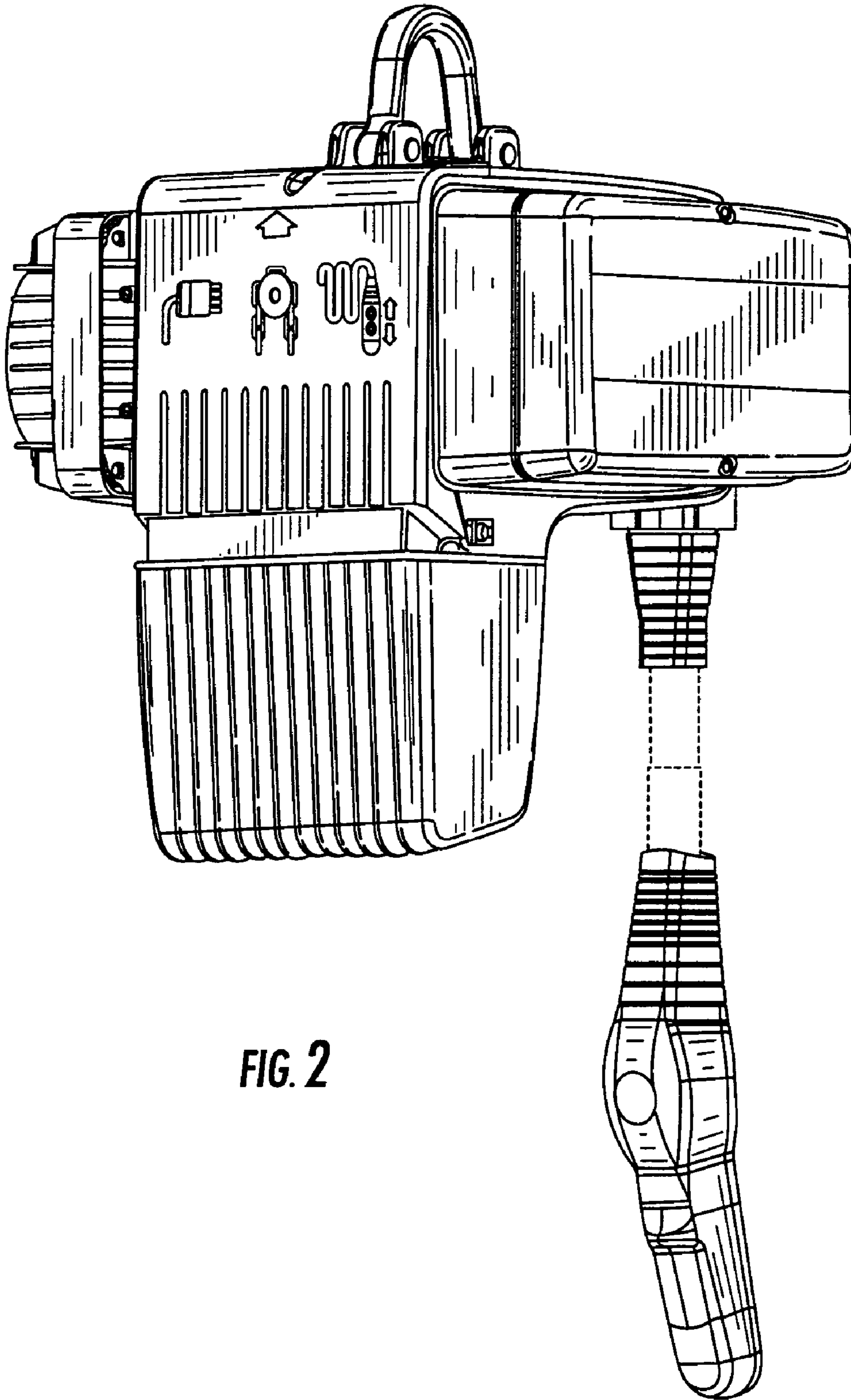


FIG. 1



**FIG. 2**

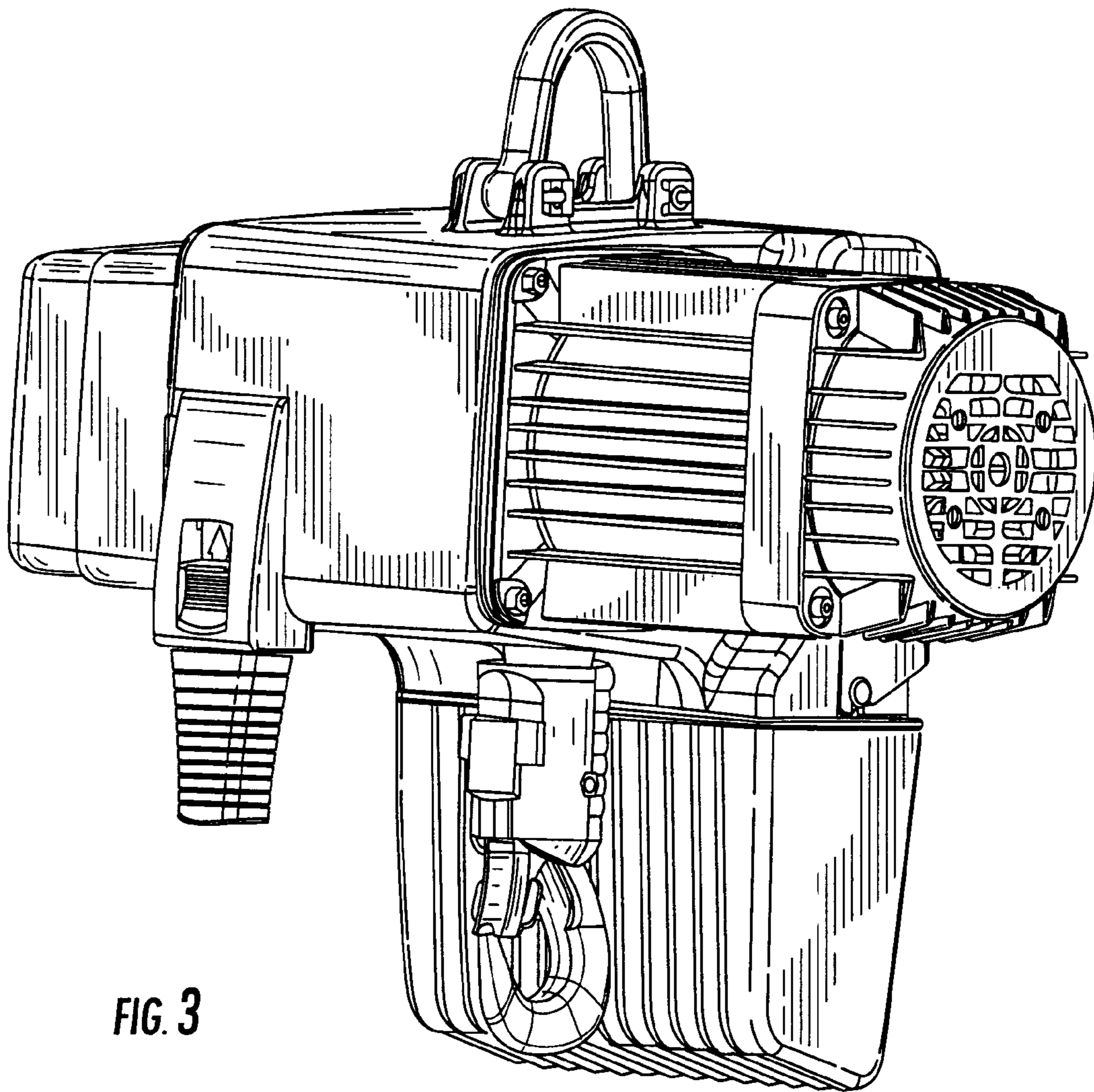


FIG. 3

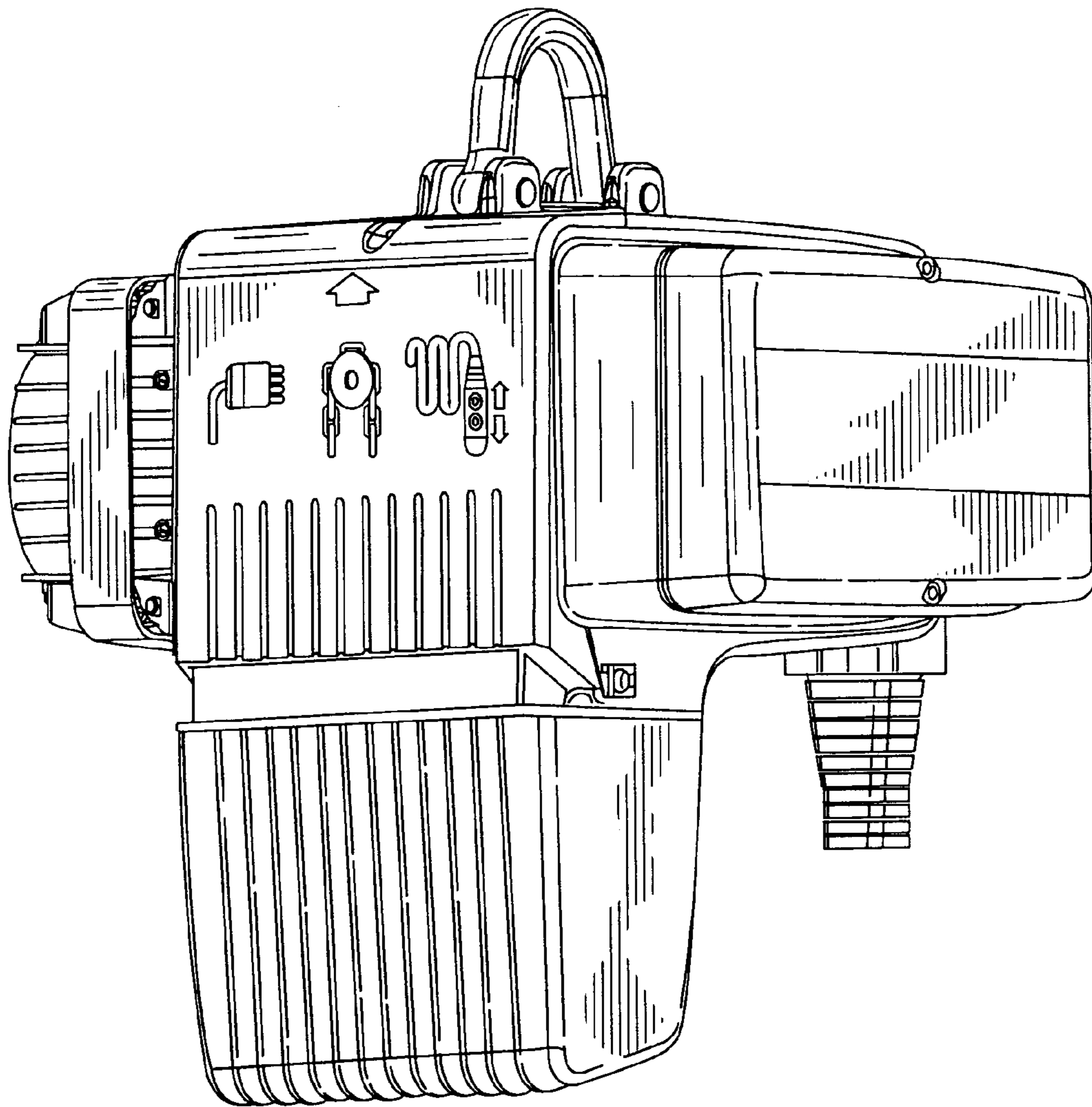
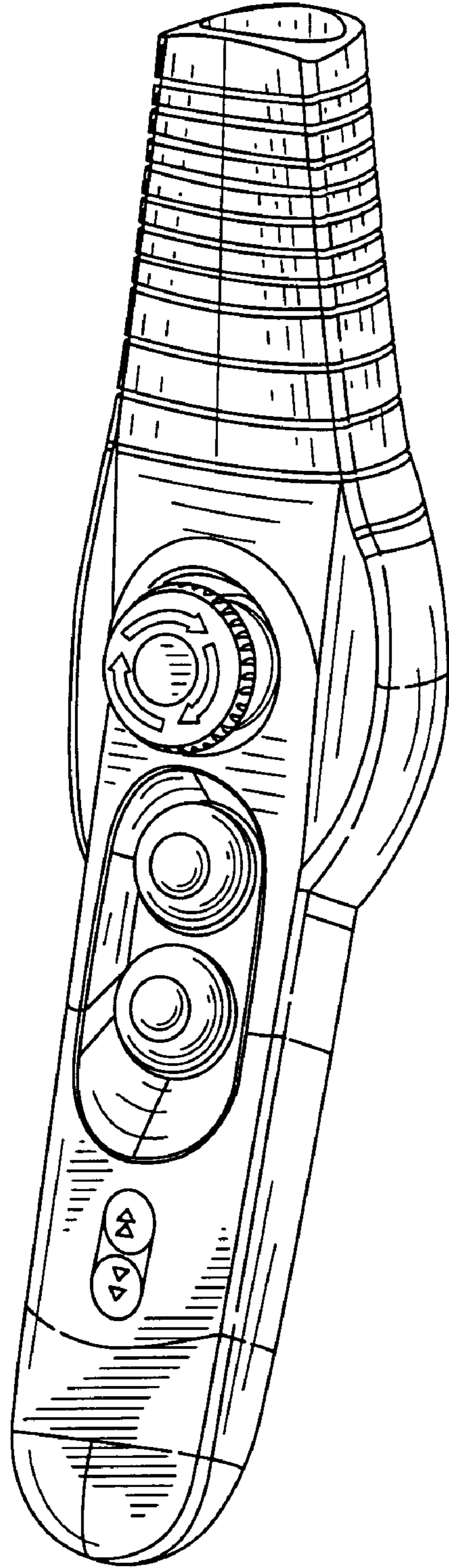
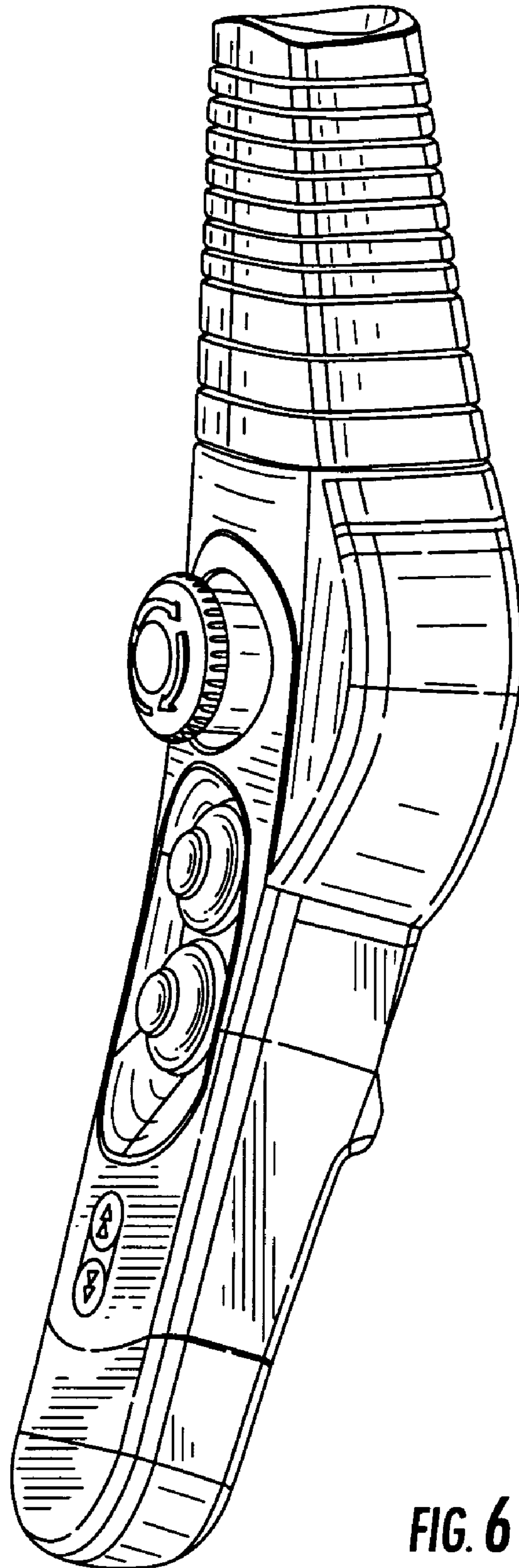


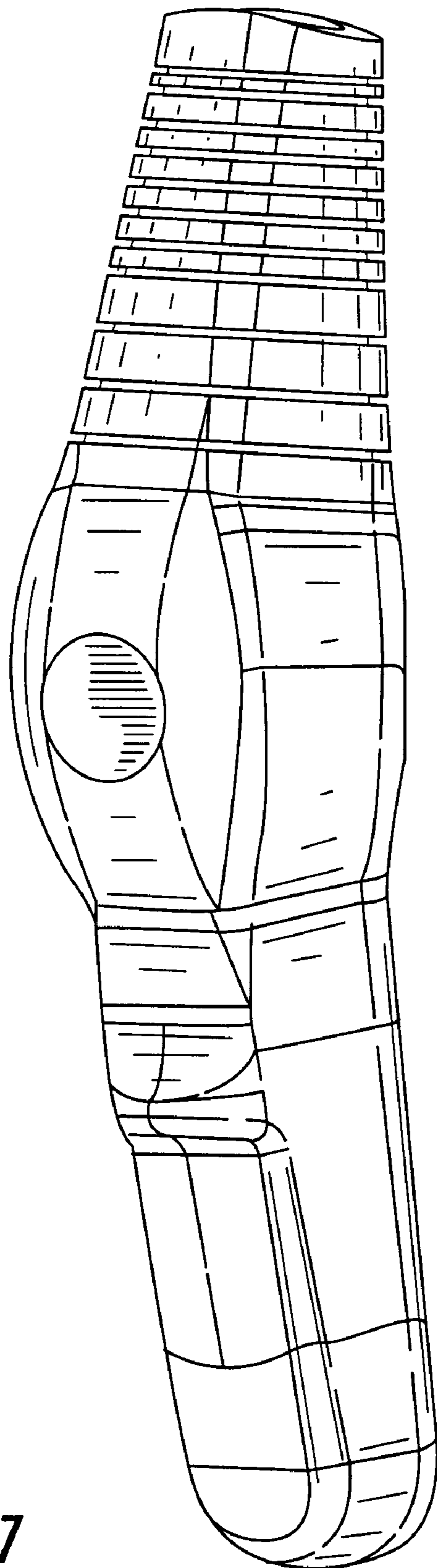
FIG. 4



**FIG. 5**



**FIG. 6**



**FIG. 7**