



US00D524506S

(12) **United States Design Patent**
Hay et al.

(10) **Patent No.: US D524,506 S**
(45) **Date of Patent: ** Jul. 4, 2006**

(54) **TOOL STORAGE CENTER**

(75) Inventors: **Michael E. Hay**, Dysart, IA (US);
Ramon L. Klemmensen, Cedar Falls,
IA (US); **Fred P. Ritchie**, Cedar Falls,
IA (US); **Steven F. Kohagen**, Waverly,
IA (US)

(73) Assignee: **Warterloo Industries, Inc.**, Waterloo,
IA (US)

(**) Term: **14 Years**

(21) Appl. No.: **29/235,020**

(22) Filed: **Jul. 26, 2005**

Related U.S. Application Data

(62) Division of application No. 29/200,336, filed on Feb. 25,
2004, now Pat. No. Des. 509,939, which is a continuation of
application No. 29/175,913, filed on Feb. 13, 2003, now Pat.
No. Des. 489,858.

(51) **LOC (8) Cl.** **12-02**

(52) **U.S. Cl.** **D34/20**

(58) **Field of Classification Search** D34/12-27;
280/79.3, 47.35, 79.11; 312/229, 250, 350;
D6/440

See application file for complete search history.

(56) **References Cited**

U.S. PATENT DOCUMENTS

D349,594 S 8/1994 Bonazza

D361,910 S * 9/1995 Maple et al. D6/445
D381,166 S 7/1997 Bonazza
D411,678 S 6/1999 Di Paolo
D427,807 S * 7/2000 Holcomb et al. D6/445
D457,704 S * 5/2002 Fiscus et al. D34/20
D489,858 S * 5/2004 Hay et al. D34/20
D509,939 S * 9/2005 Hay et al. D34/20
2001/0035702 A1 11/2001 Murphy et al.

* cited by examiner

Primary Examiner—Cynthia E. Ramirez

(74) *Attorney, Agent, or Firm*—Calfee, Halter & Griswold
LLP

(57) **CLAIM**

The ornamental design for a tool storage center, as shown
and described.

DESCRIPTION

FIG. 1 is a perspective view of a tool storage center of the
new design;

FIG. 2 is a top view of the design shown in FIG. 1;

FIG. 3 is a front view of the design shown in FIG. 1;

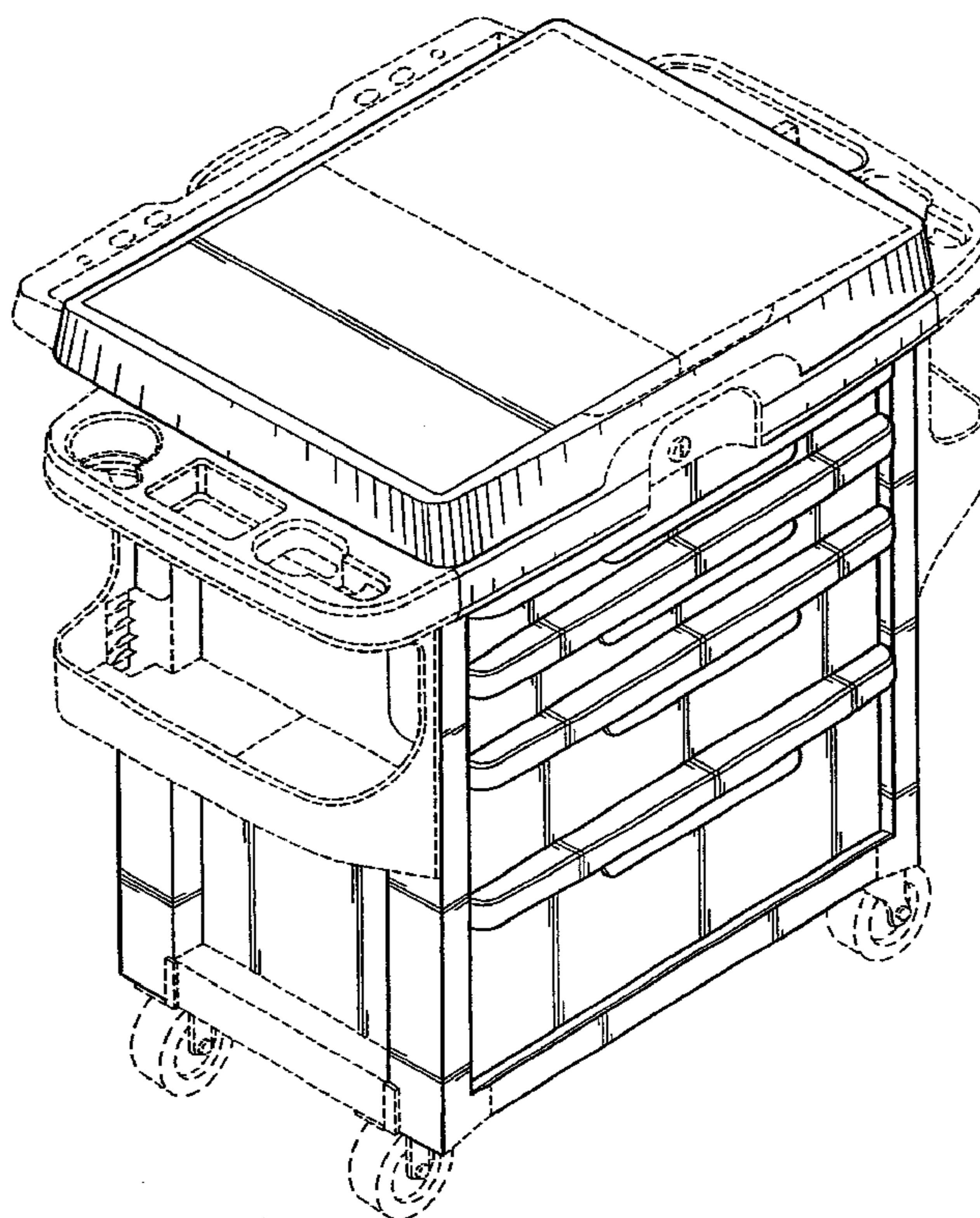
FIG. 4 is a side view of the design shown in FIG. 1;

FIG. 5 is a side view of the design shown in FIG. 1; and,

FIG. 6 is a back view of the design shown in FIG. 1.

The portions of the Figures shown in broken lines are for
illustrative purposes only, and form no part of the claimed
design.

1 Claim, 4 Drawing Sheets



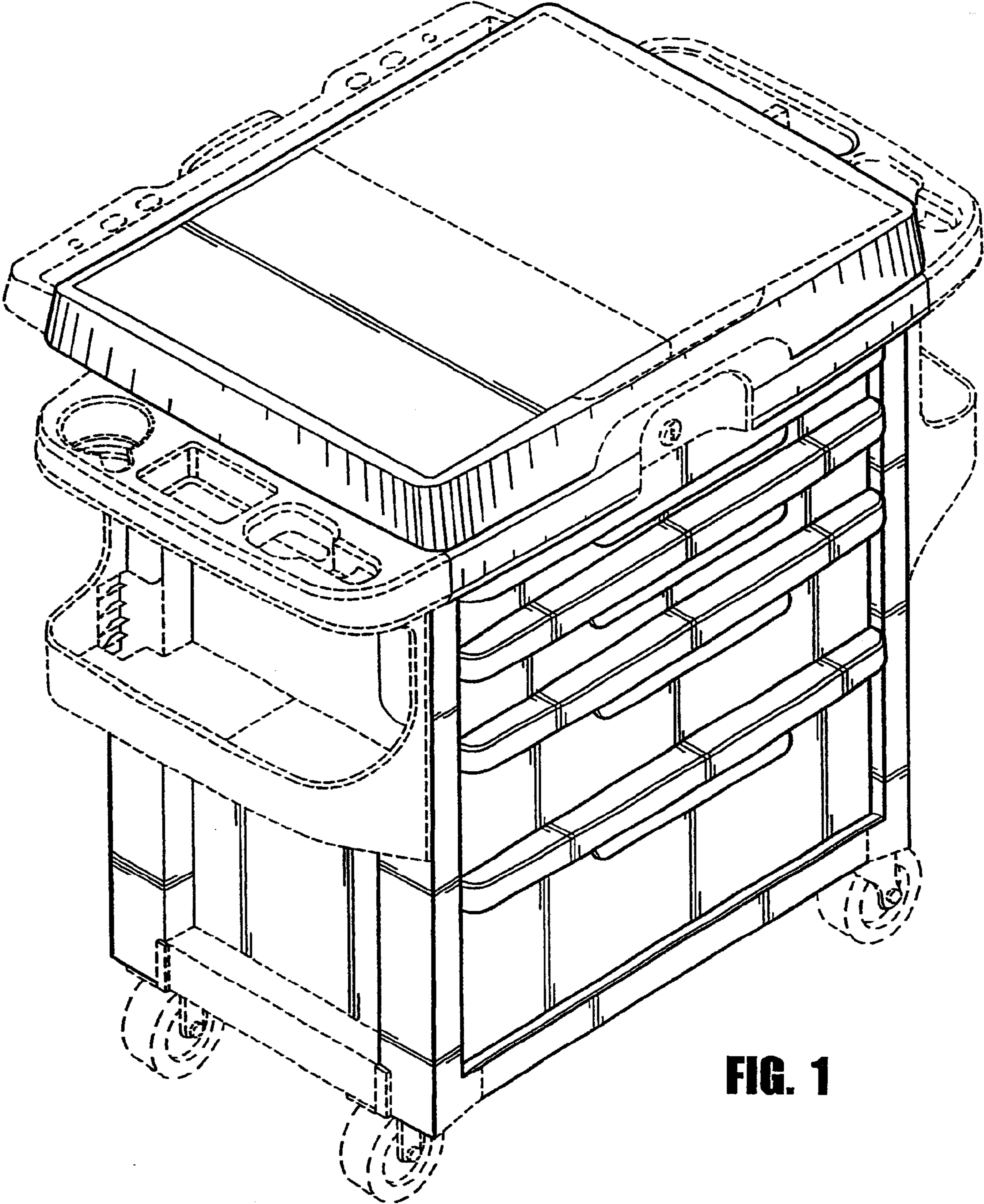


FIG. 1

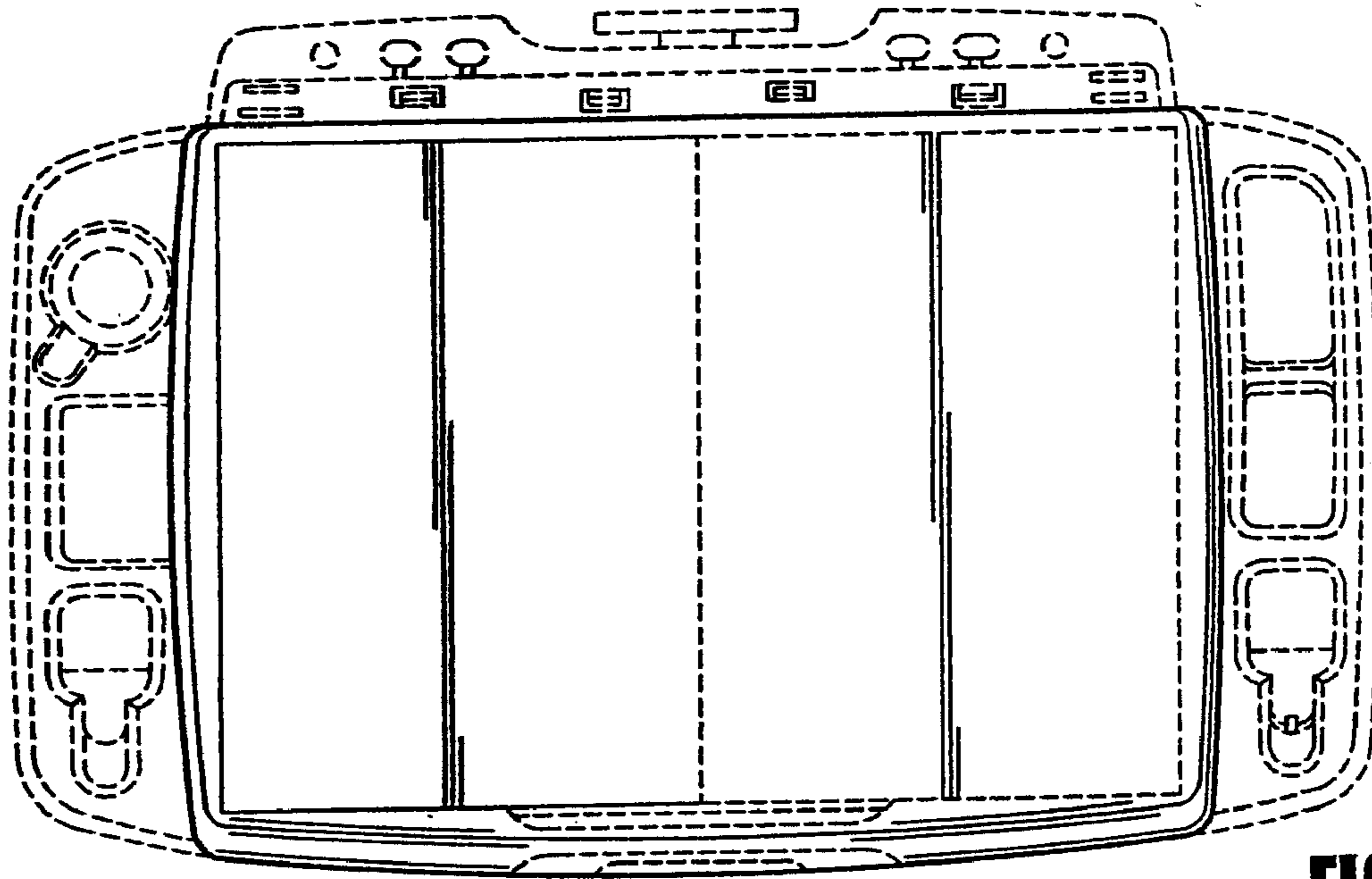


FIG. 2

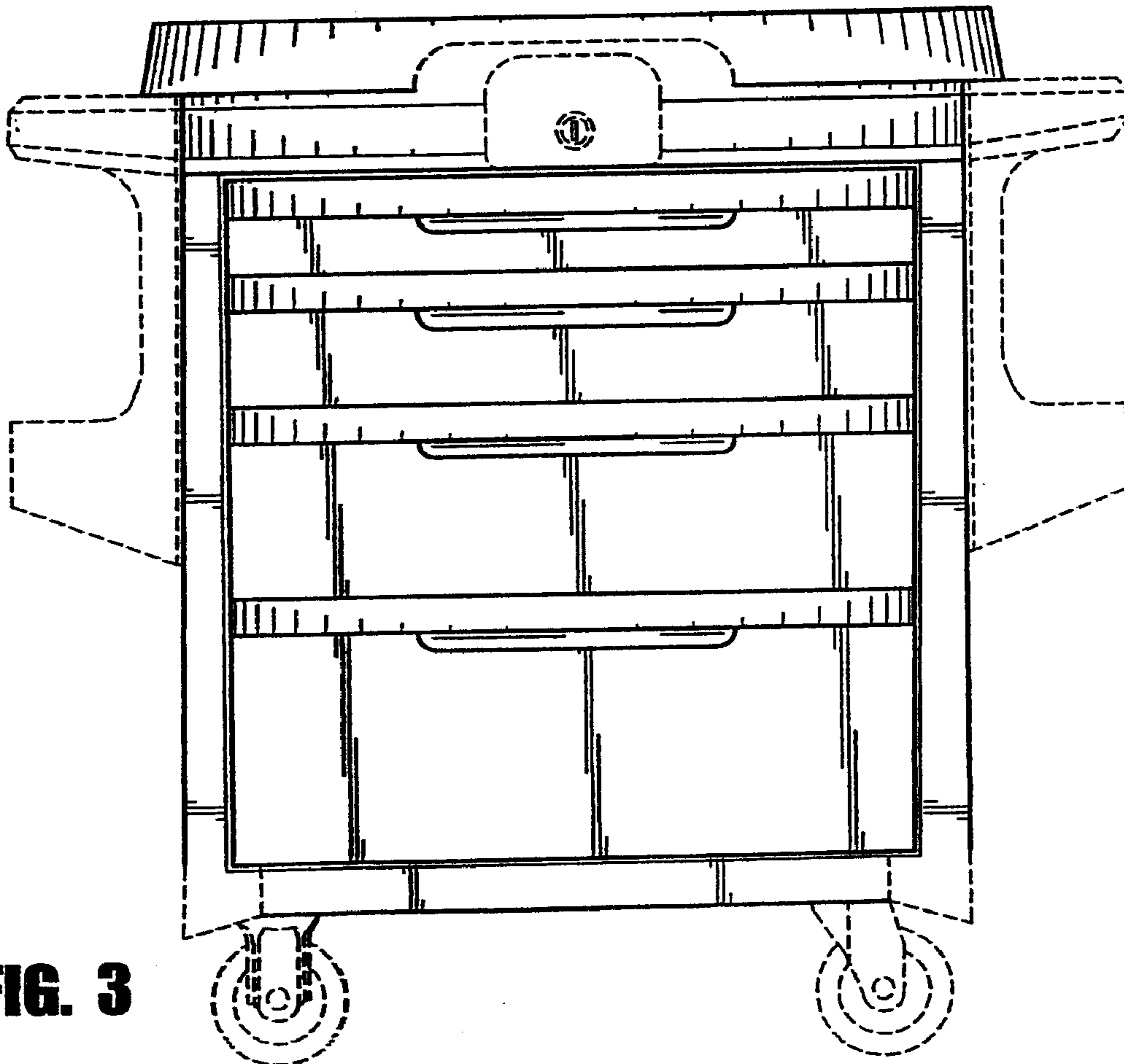


FIG. 3

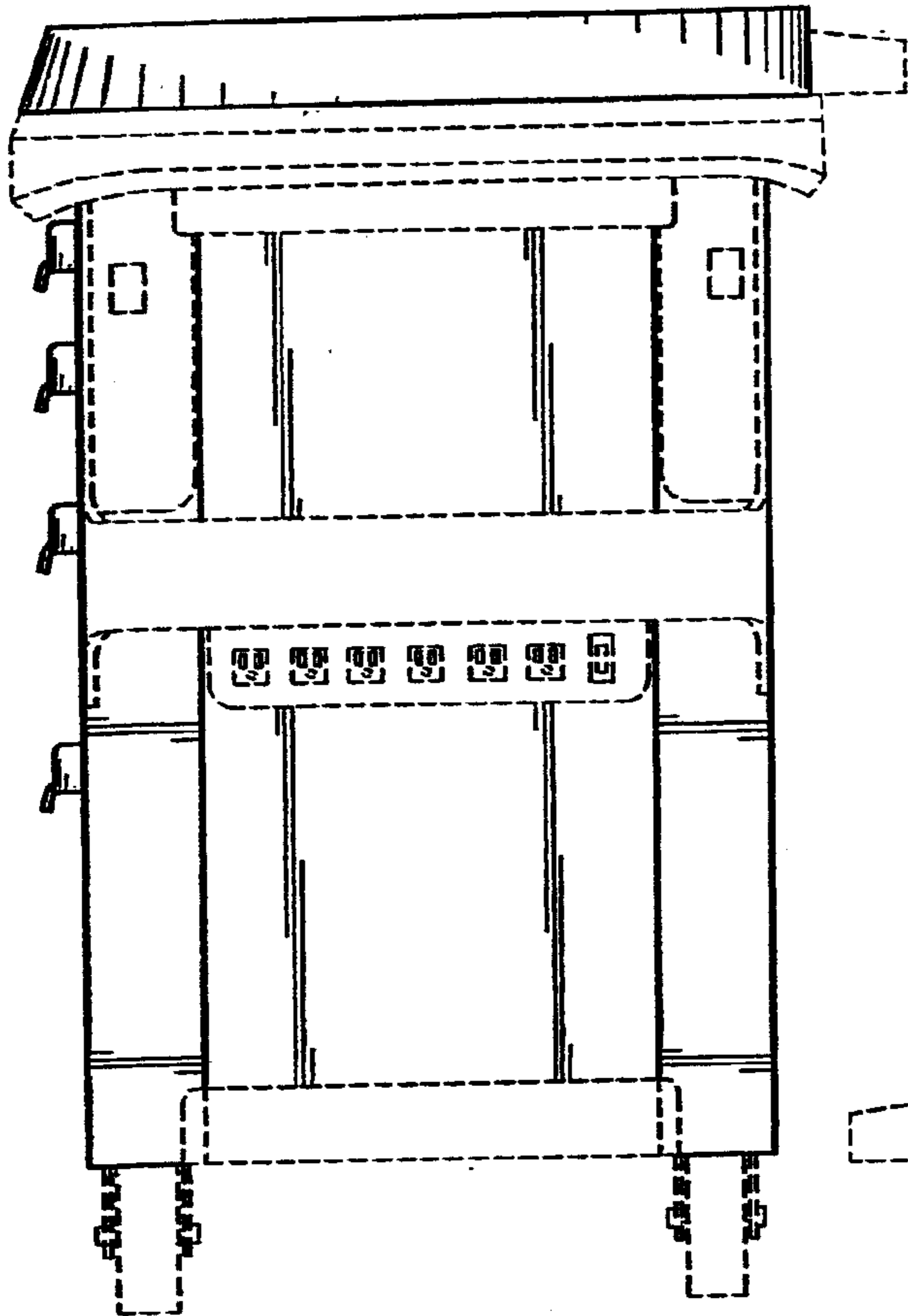


FIG. 4

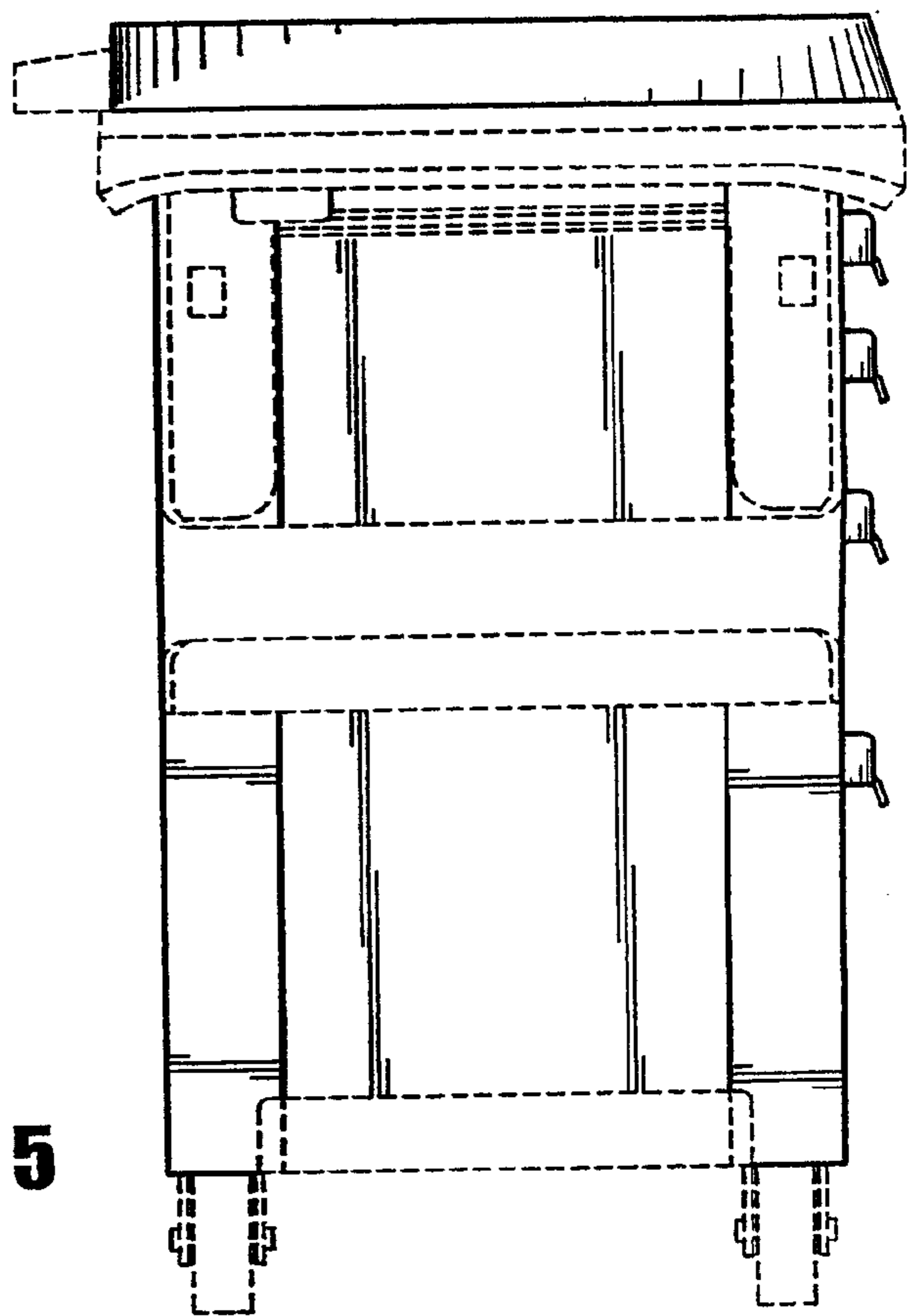


FIG. 5

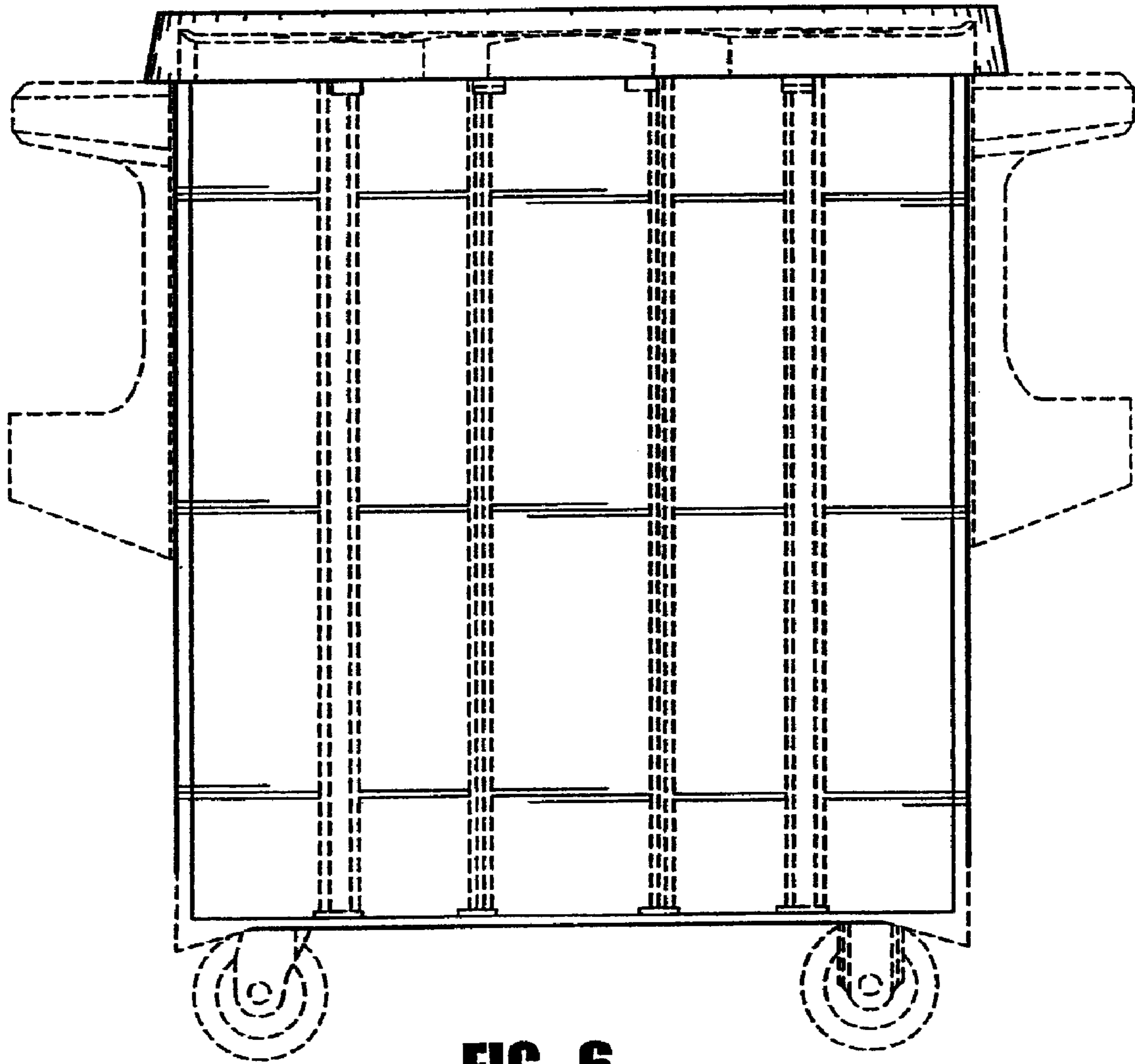


FIG. 6