



US00D524505S

(12) **United States Design Patent**
Babkes

(10) **Patent No.:** **US D524,505 S**

(45) **Date of Patent:** **** Jul. 4, 2006**

(54) **COMBINATION STEP LADDER, HAND TRUCK AND DOLLY DEVICE**

(75) Inventor: **Mitchell H. Babkes**, Saugus, CA (US)

(73) Assignee: **Sylmark Holdings Limited**, Dublin (IE)

(**) Term: **14 Years**

(21) Appl. No.: **29/206,625**

(22) Filed: **Jun. 2, 2004**

(51) **LOC (8) Cl.** **12-02**

(52) **U.S. Cl.** **D34/14**

(58) **Field of Classification Search** D34/12-27;
182/16, 20, 102, 103, 127; 280/30, 47.28,
280/37, 79.11, 79.3; 190/107, 103, 115, 127
See application file for complete search history.

(56) **References Cited**

U.S. PATENT DOCUMENTS

300,496	A	*	6/1884	Nelson	280/30
867,754	A	*	10/1907	Randall	280/30
2,919,138	A	*	12/1959	Brower et al.	280/35
2,990,764	A		7/1961	Wilder		
3,430,972	A	*	3/1969	Fiedler	280/30
3,434,566	A		3/1969	Miller		
3,857,460	A		12/1974	Nini		
3,954,155	A		5/1976	Guidara		
D249,032	S		8/1978	Tarran		
4,258,826	A	*	3/1981	Murray	182/20
4,448,282	A		5/1984	Giezendanner		
4,494,626	A		1/1985	Ast		
4,934,485	A		6/1990	Purkapile		
5,368,143	A	*	11/1994	Pond et al.	190/18 A
5,382,032	A		1/1995	Wilson		
5,749,446	A	*	5/1998	Hsieh	190/107
5,836,595	A		11/1998	Brice		
6,158,749	A		12/2000	Roudebush		

6,474,663	B1	11/2002	Becker	
6,530,583	B1	3/2003	Mueller	
6,651,774	B1	11/2003	Yoo	
2004/0065518	A1	*	4/2004	Hoberman 190/107

* cited by examiner

Primary Examiner—Freda Nunn

Assistant Examiner—Kevin K. Rudzinski

(74) *Attorney, Agent, or Firm*—Kathy Mojibi Kavcioglu

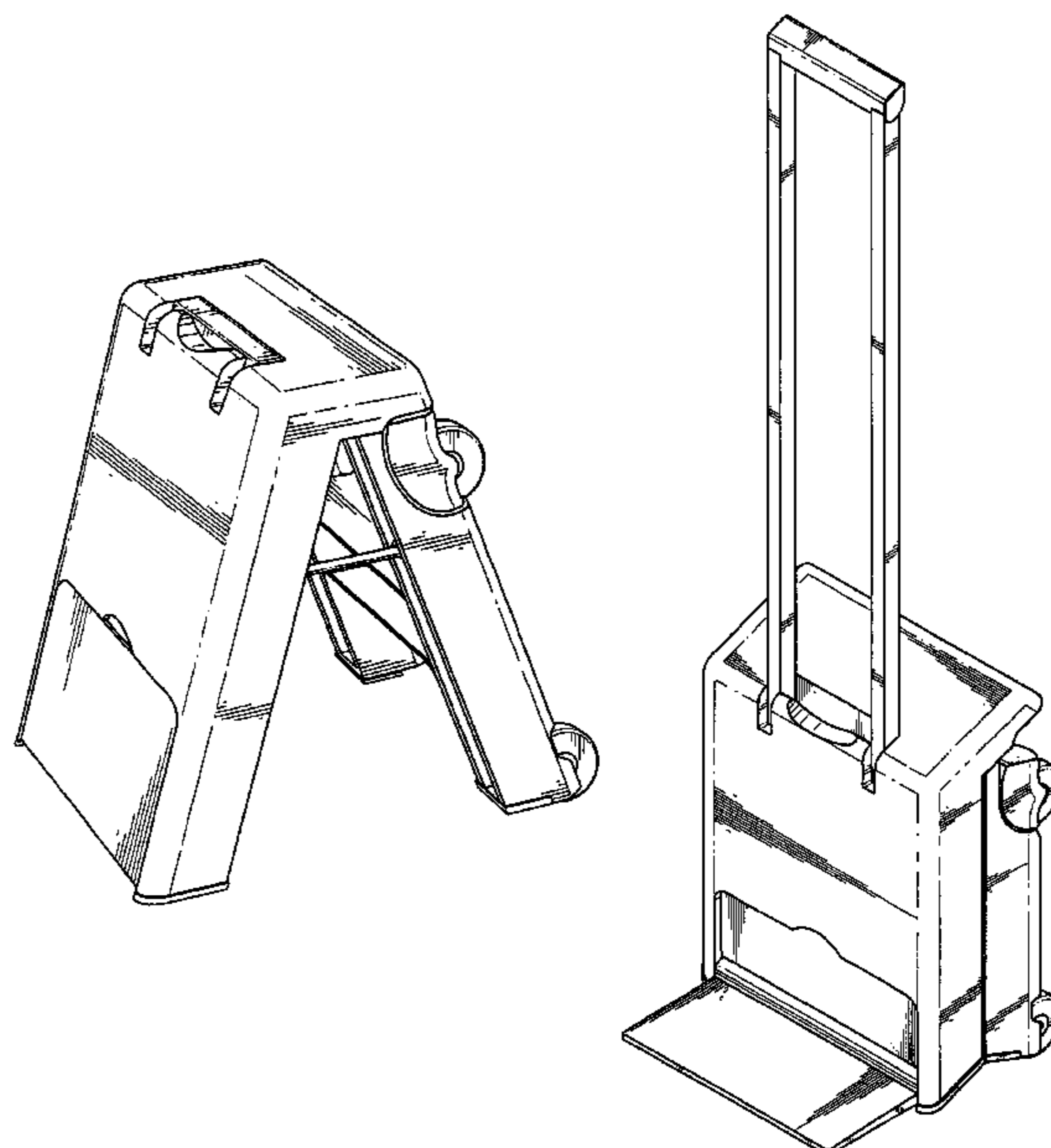
(57) **CLAIM**

I claim the ornamental design for the combination step ladder, hand truck and dolly device, as shown and described.

DESCRIPTION

FIG. 1 is a perspective view of a preferred embodiment of the combination step ladder, hand truck and dolly device of the present invention in a step ladder configuration; FIG. 2 is a side elevational view of the device of FIG. 1; FIG. 3 is a front elevational view of the device of FIG. 1; FIG. 4 is a rear elevational view of the device of FIG. 1; FIG. 5 is a top plan view of the device of FIG. 1; FIG. 6 is a bottom plan view of the device of FIG. 1; and FIG. 7 is a perspective view of the device of FIG. 1, shown in a dolly configuration; FIG. 8 is a top plan view of the device of FIG. 7; FIG. 9 is a bottom plan view of the device of FIG. 7; FIG. 10 is a rear elevational view of the device of FIG. 7; FIG. 11 is a front elevational view of the device of FIG. 7; FIG. 12 is a side elevational view of the device of FIG. 7; FIG. 13 is a perspective view of the device of FIG. 1, shown in a hand truck configuration; FIG. 14 is a front elevational view of the device of FIG. 13; FIG. 15 is a rear elevational view of the device of FIG. 13; FIG. 16 is a side elevational view of the device of FIG. 13; FIG. 17 is a top plan view of the device of FIG. 13; and, FIG. 18 is a bottom plan view of the device of FIG. 13.

1 Claim, 12 Drawing Sheets



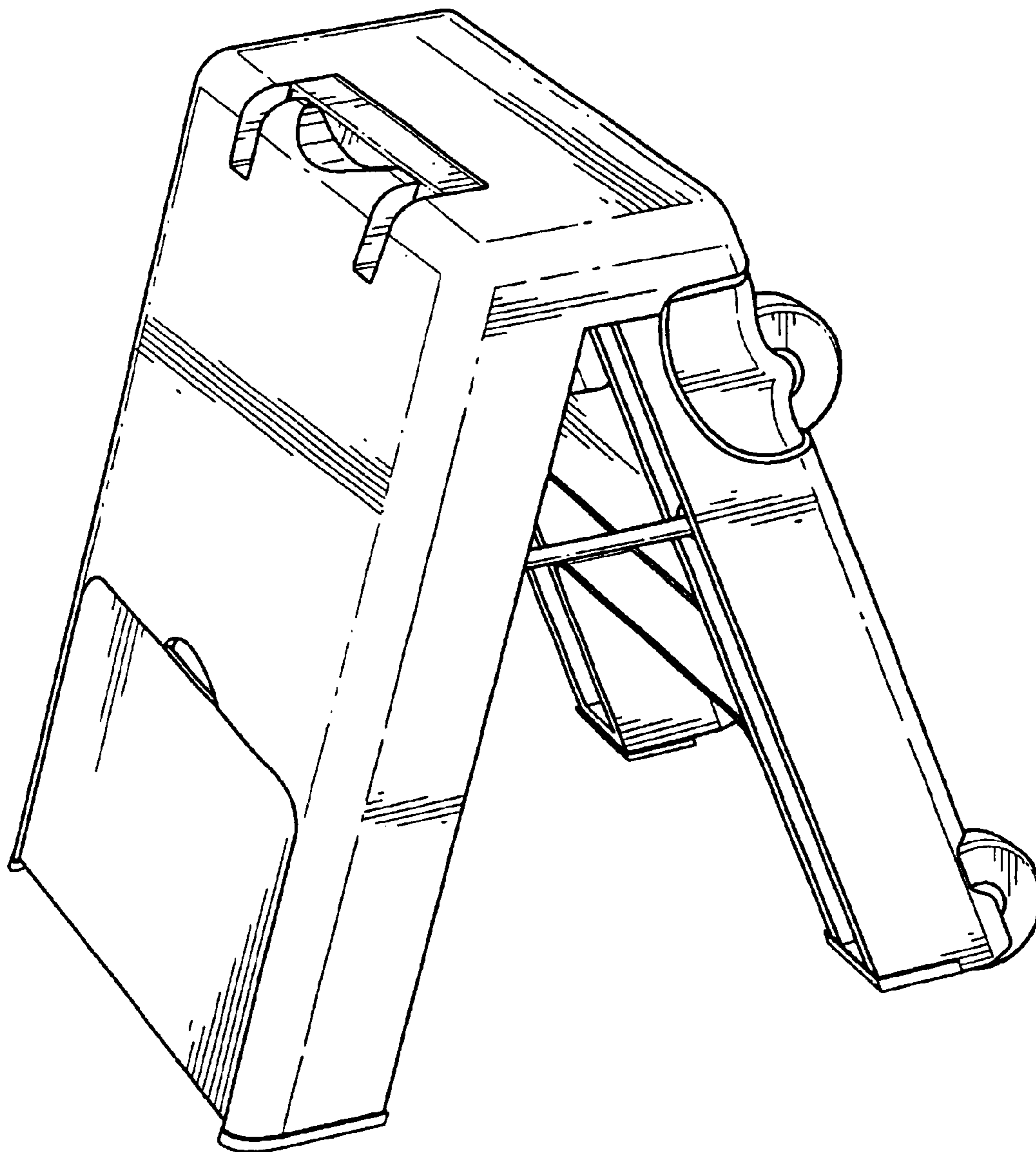


FIG. 1

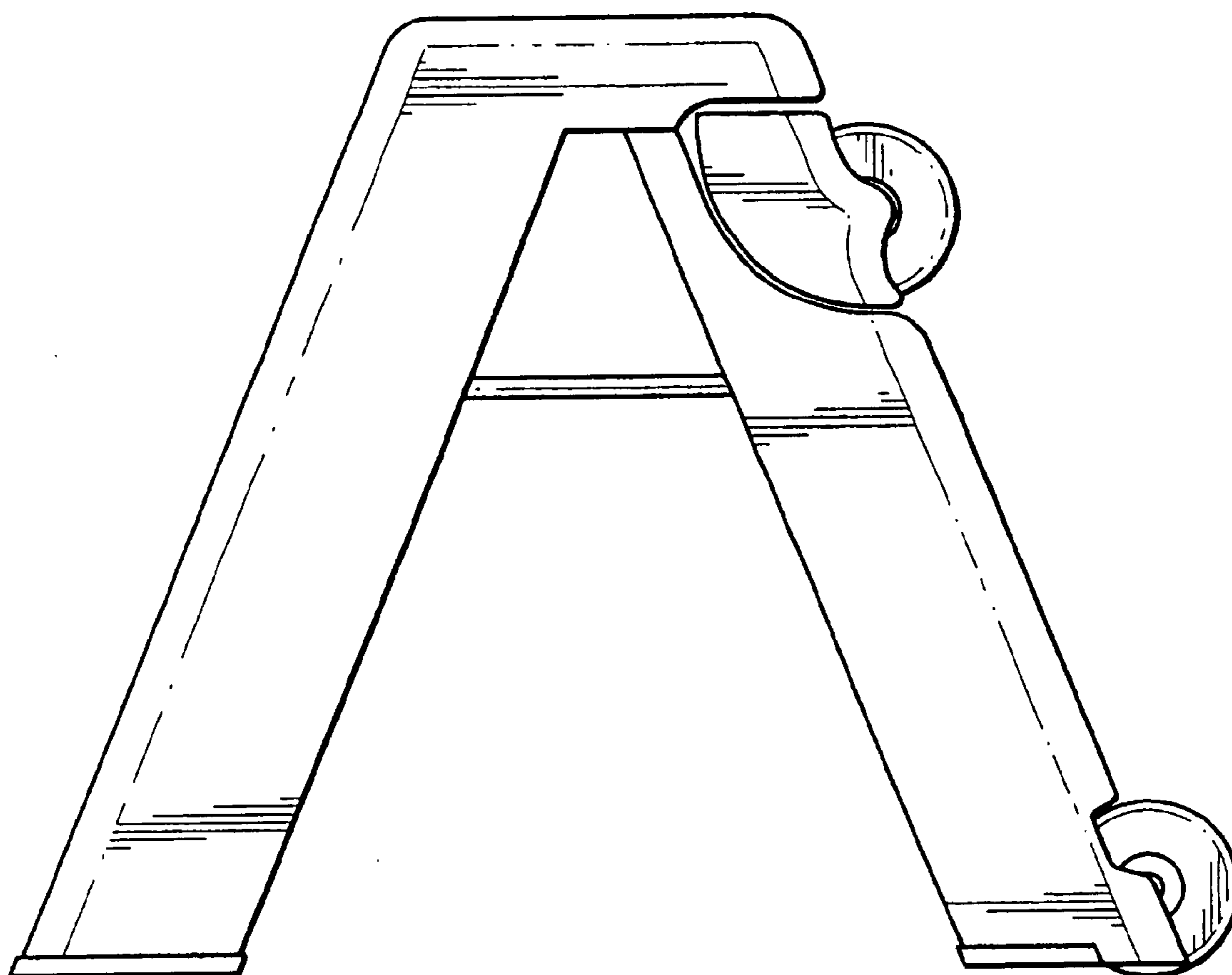


FIG. 2

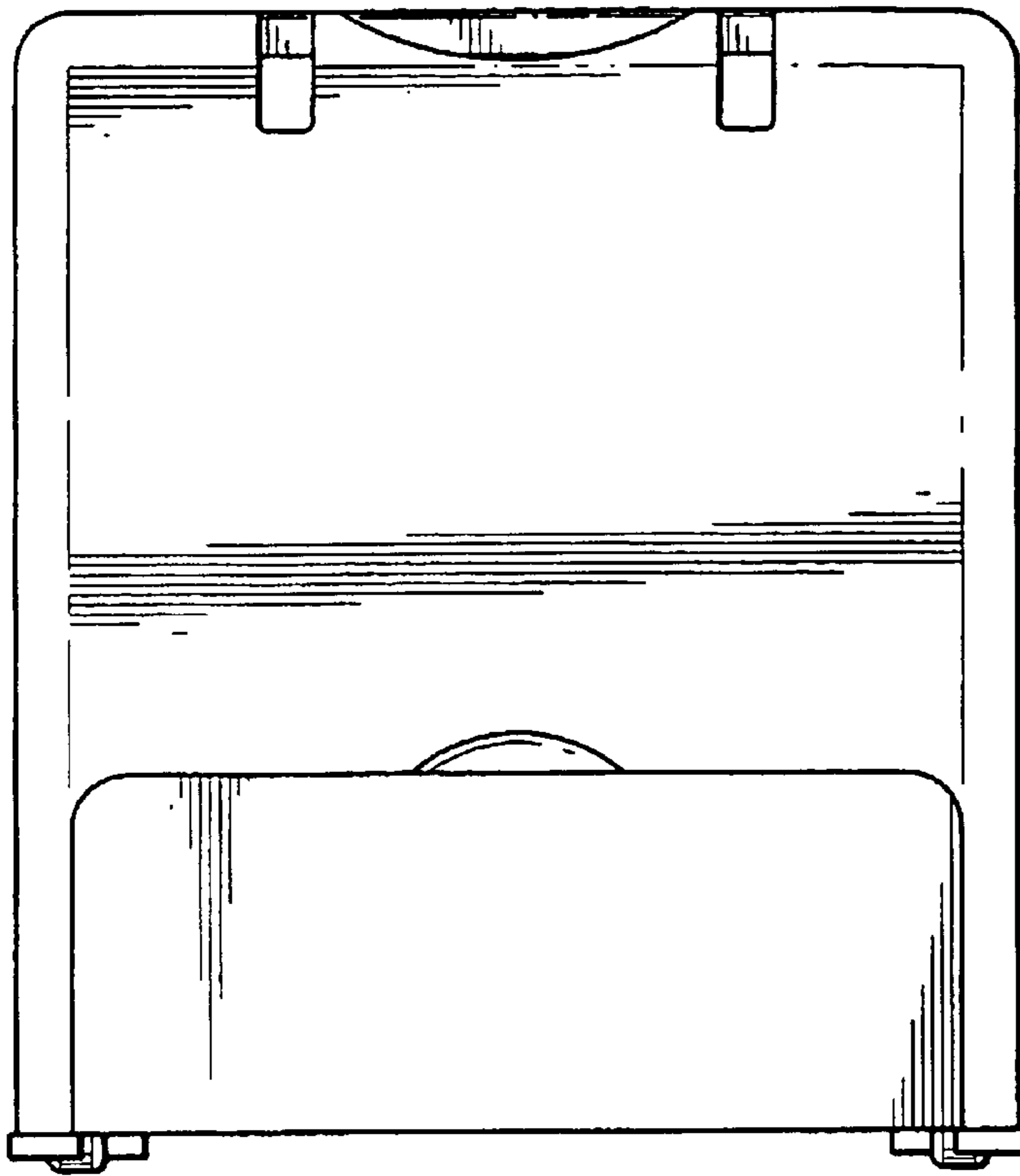


FIG. 3

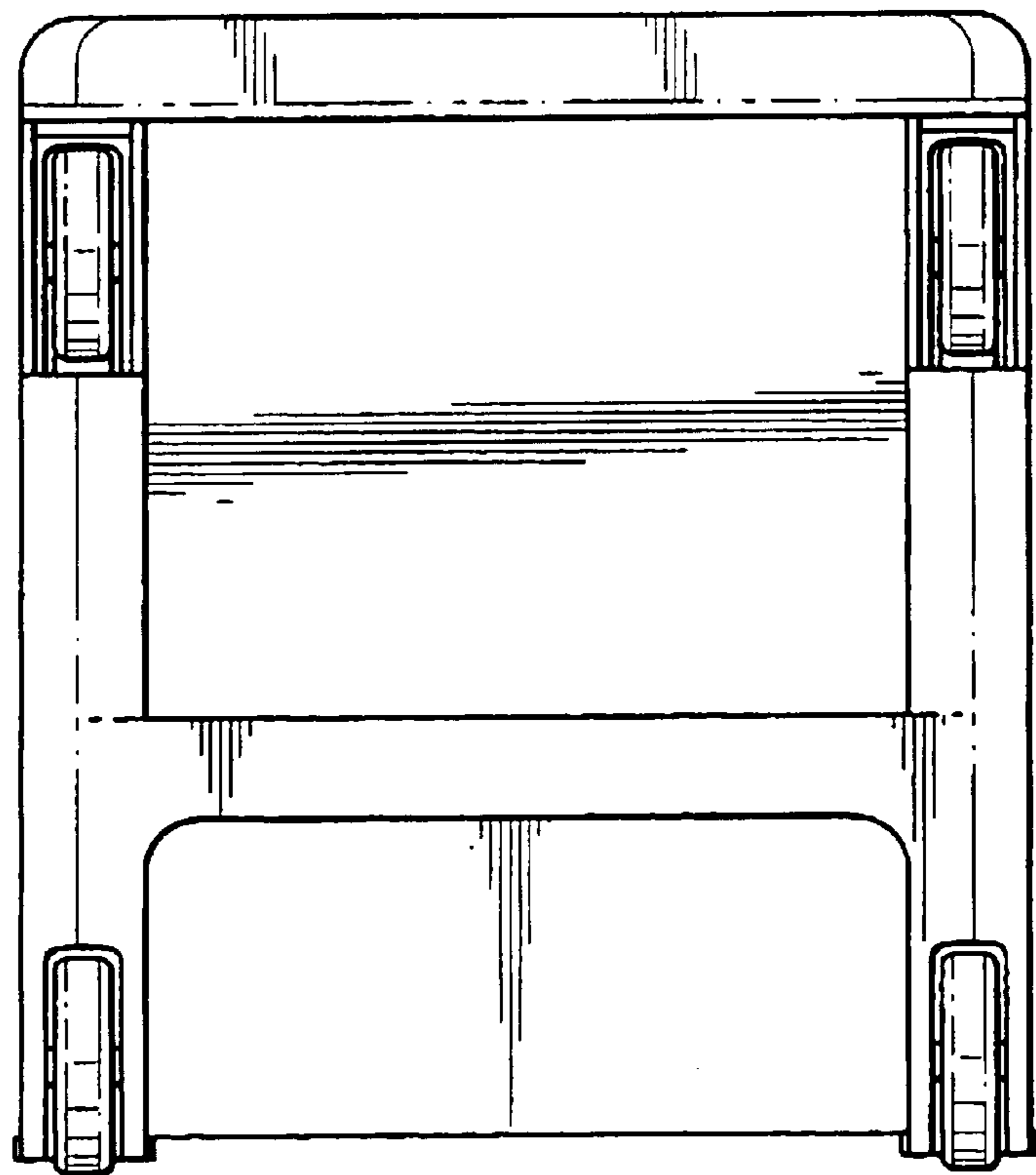


FIG. 4

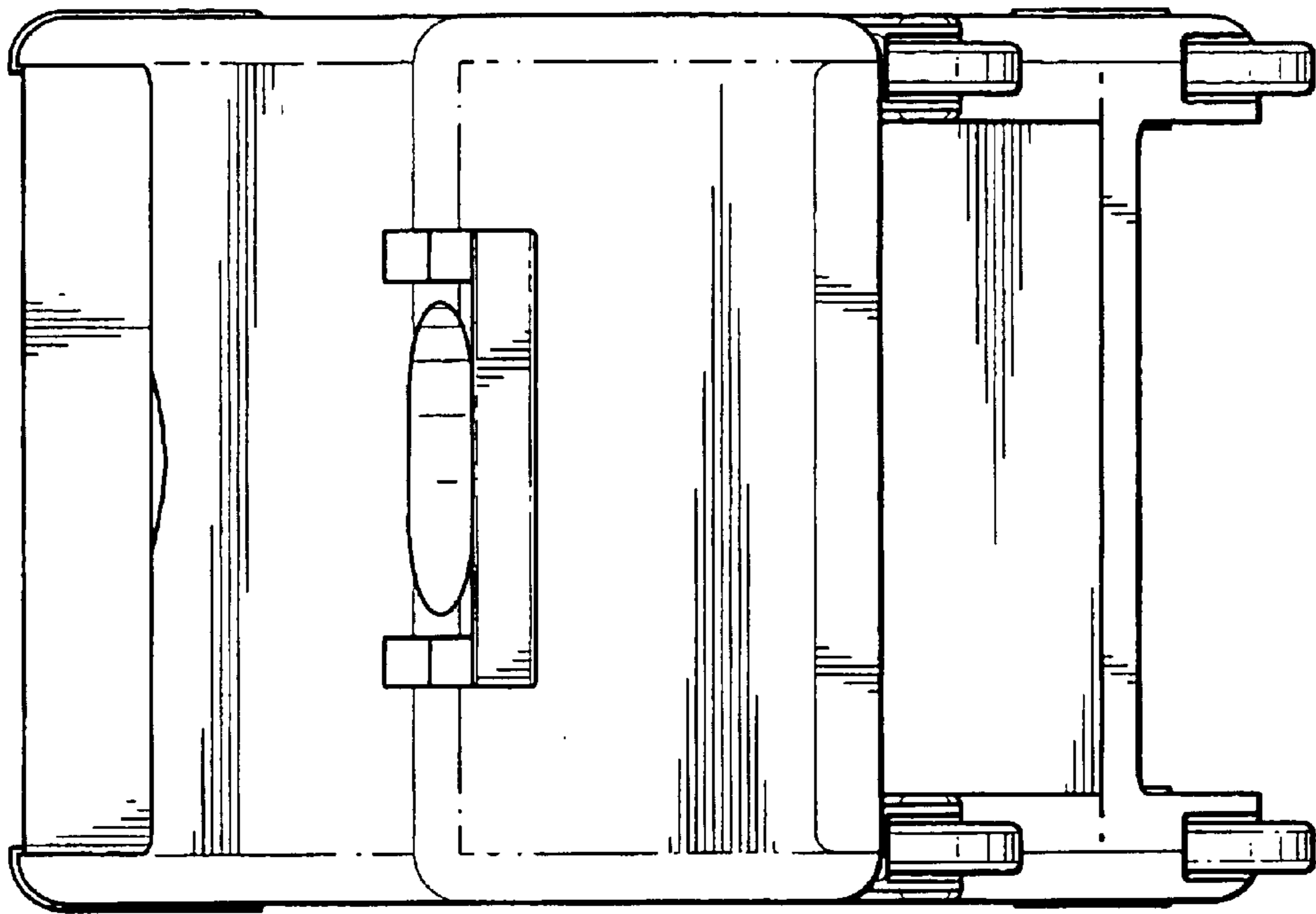


FIG. 5

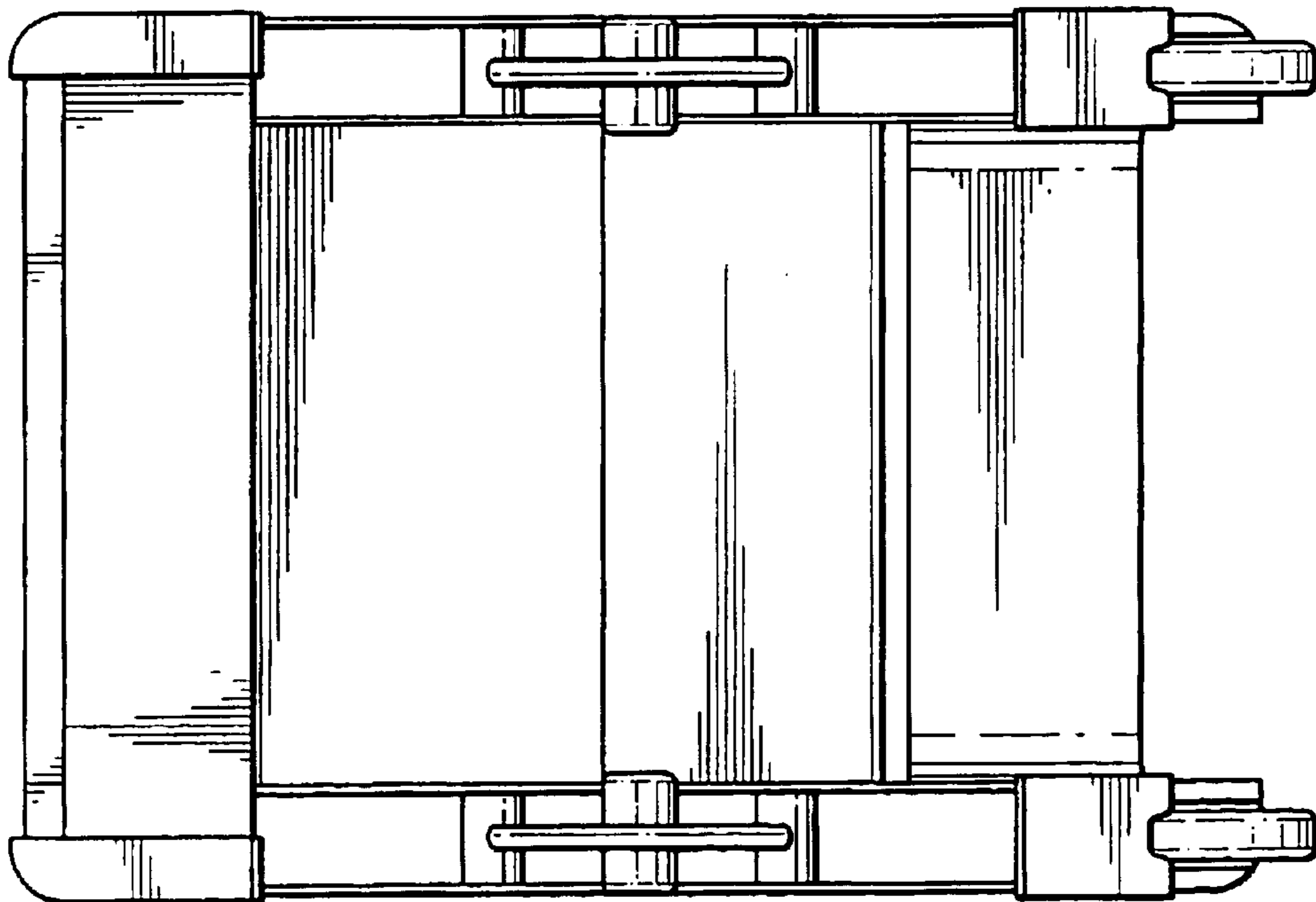


FIG. 6

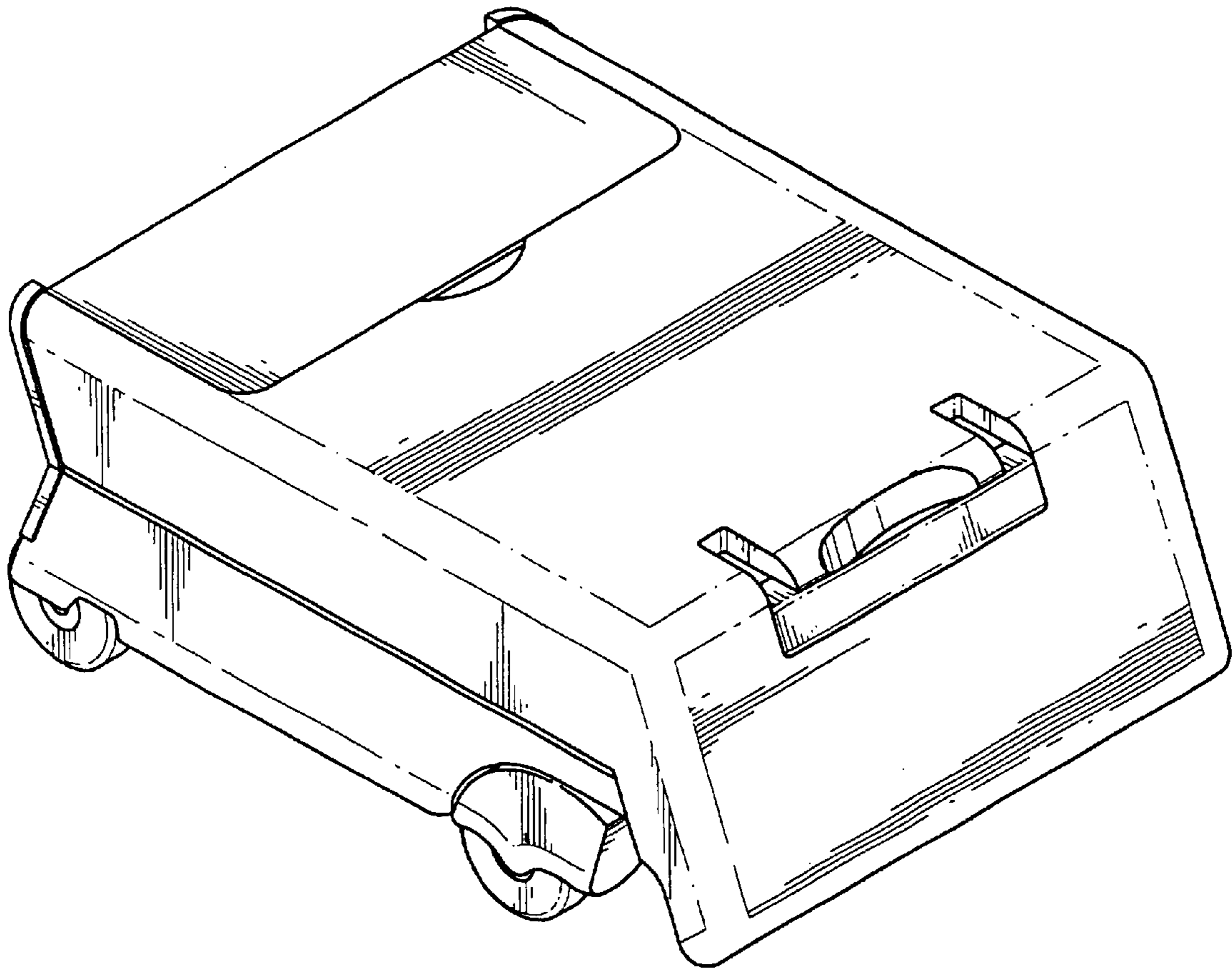


FIG. 7

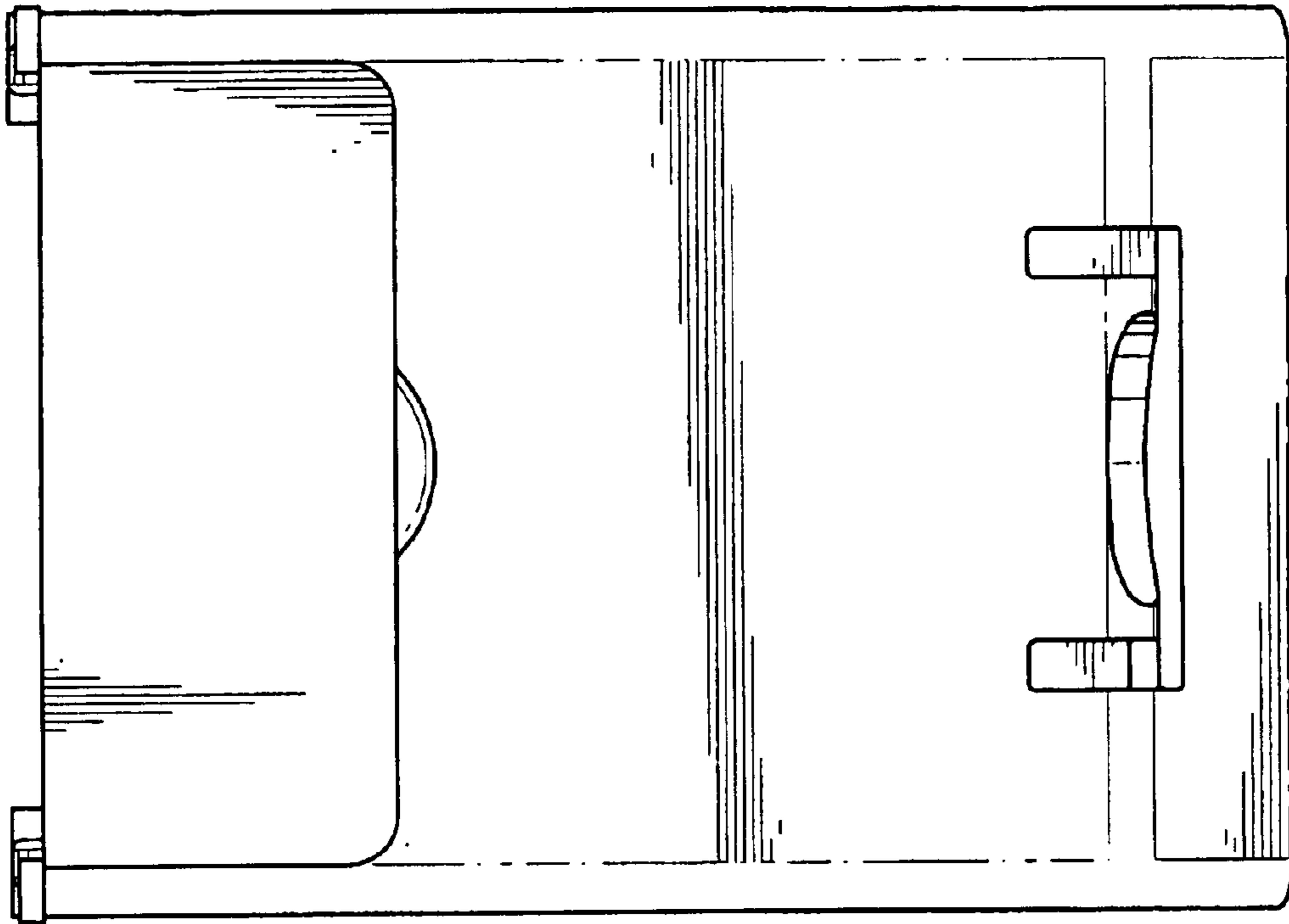


FIG. 8

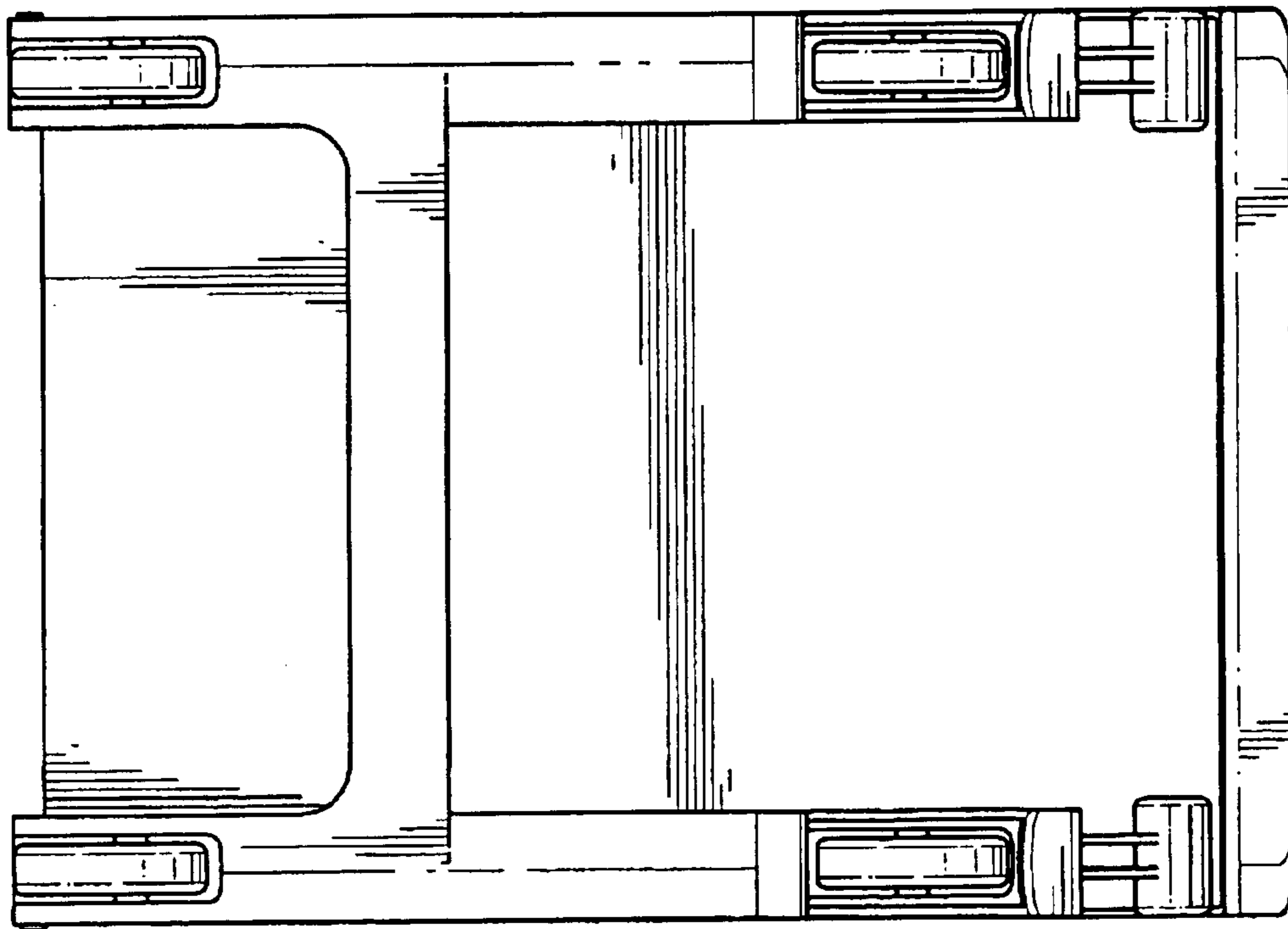


FIG. 9

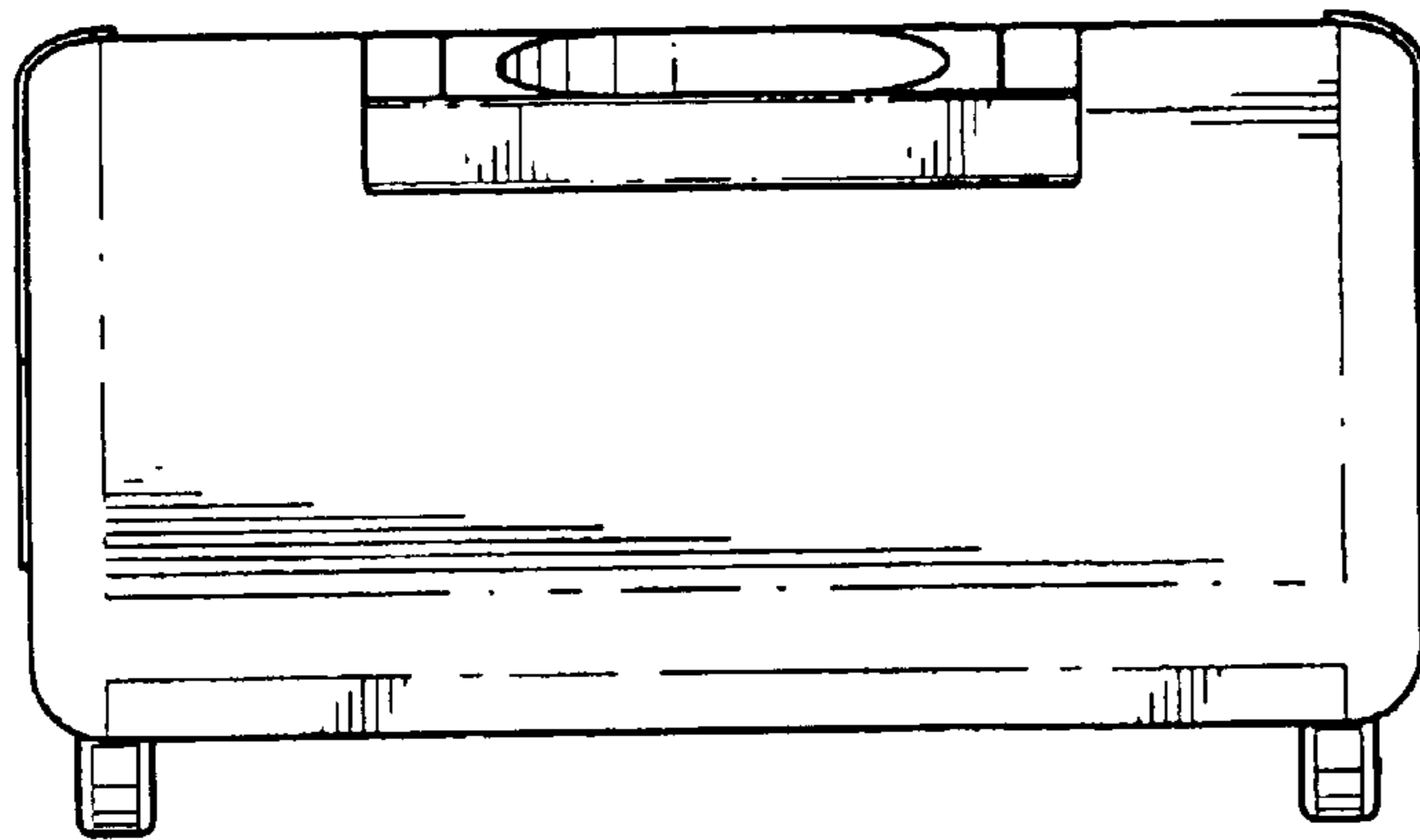


FIG. 10

FIG. 11

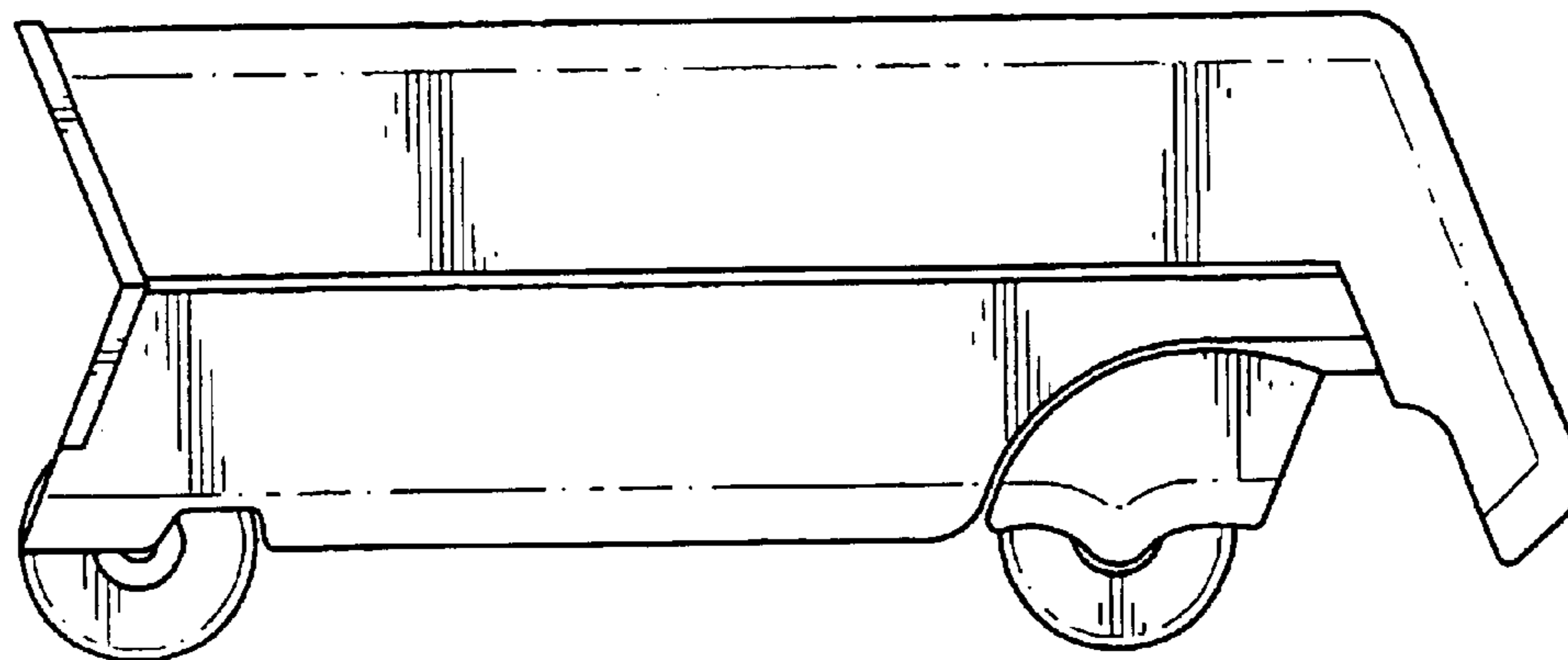
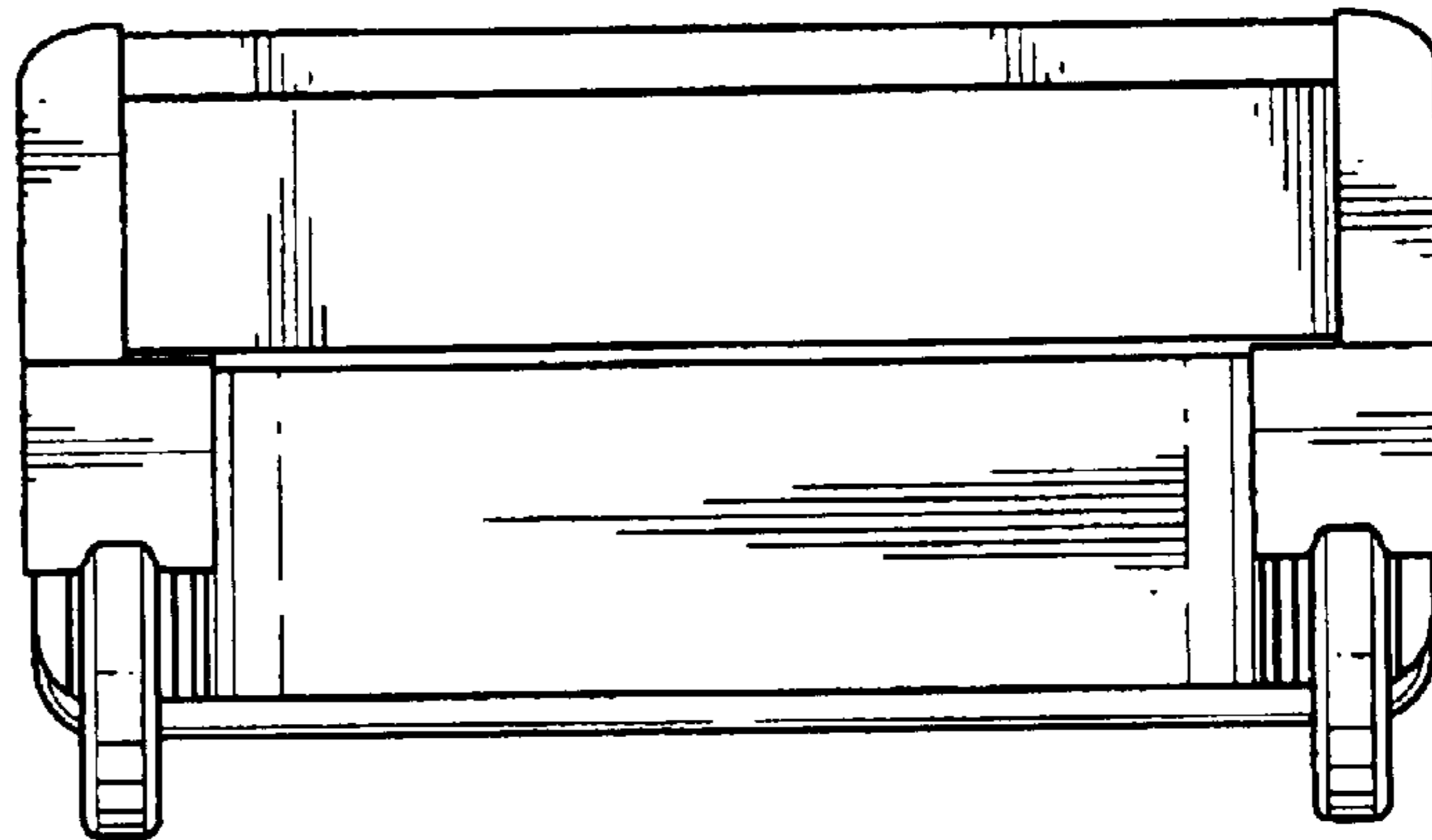


FIG. 12

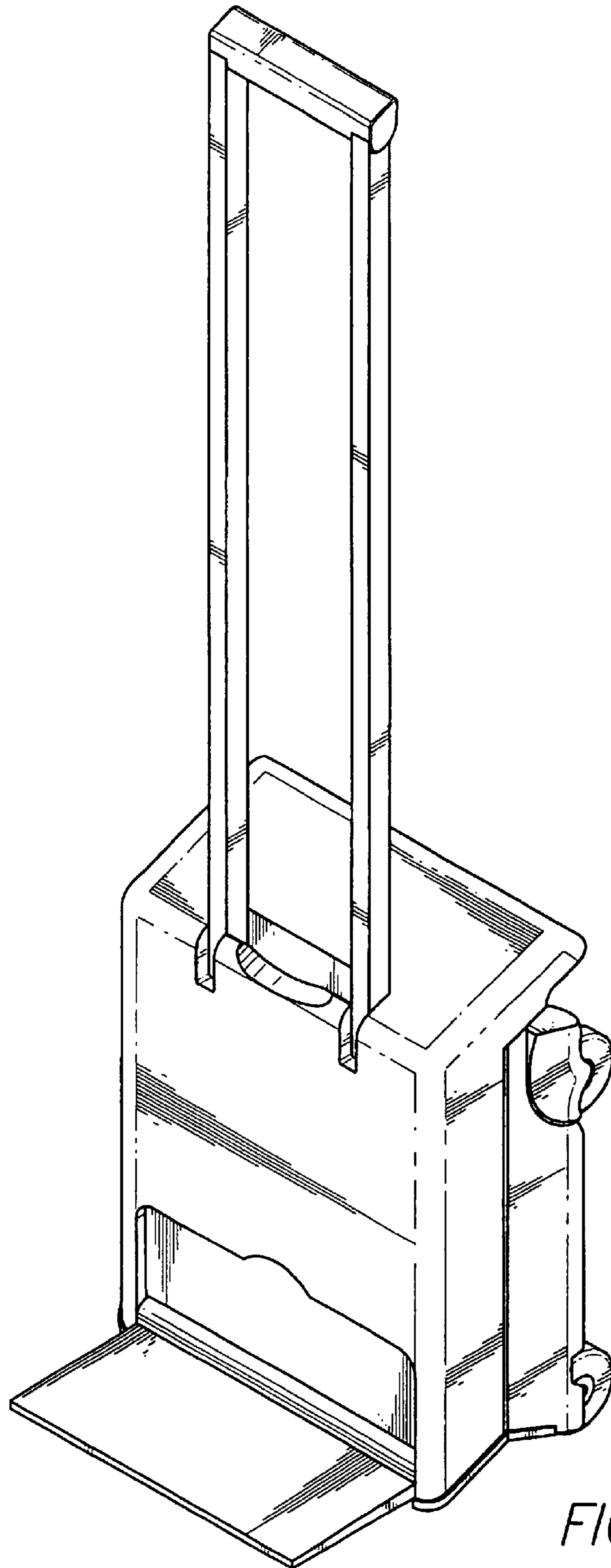


FIG. 13

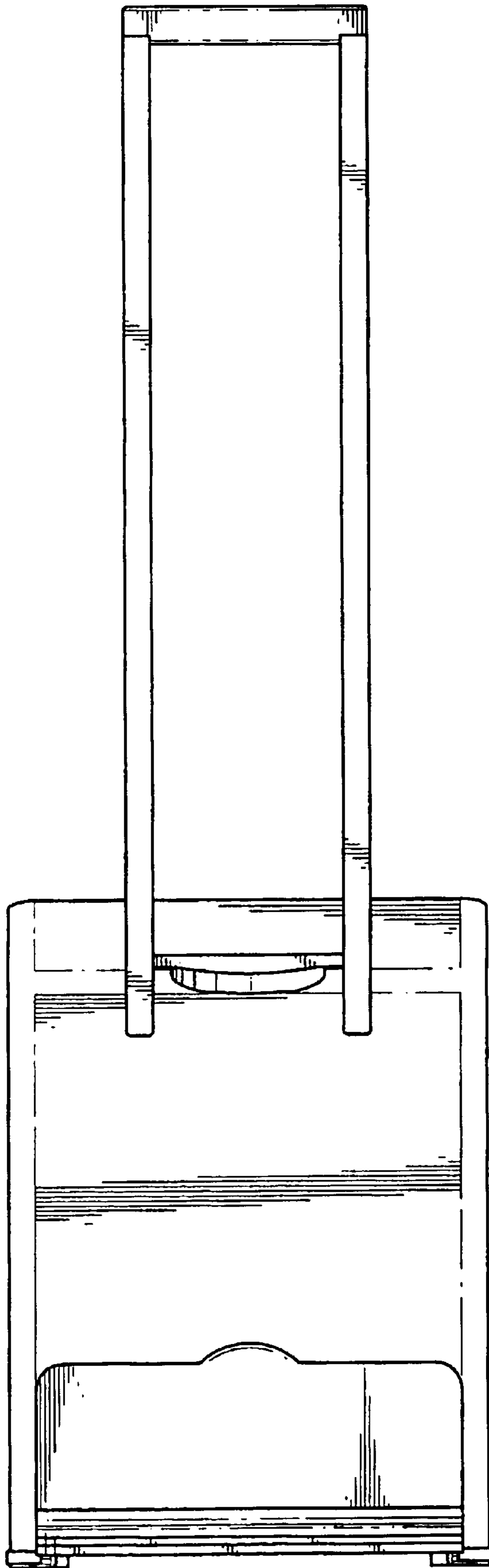


FIG. 14

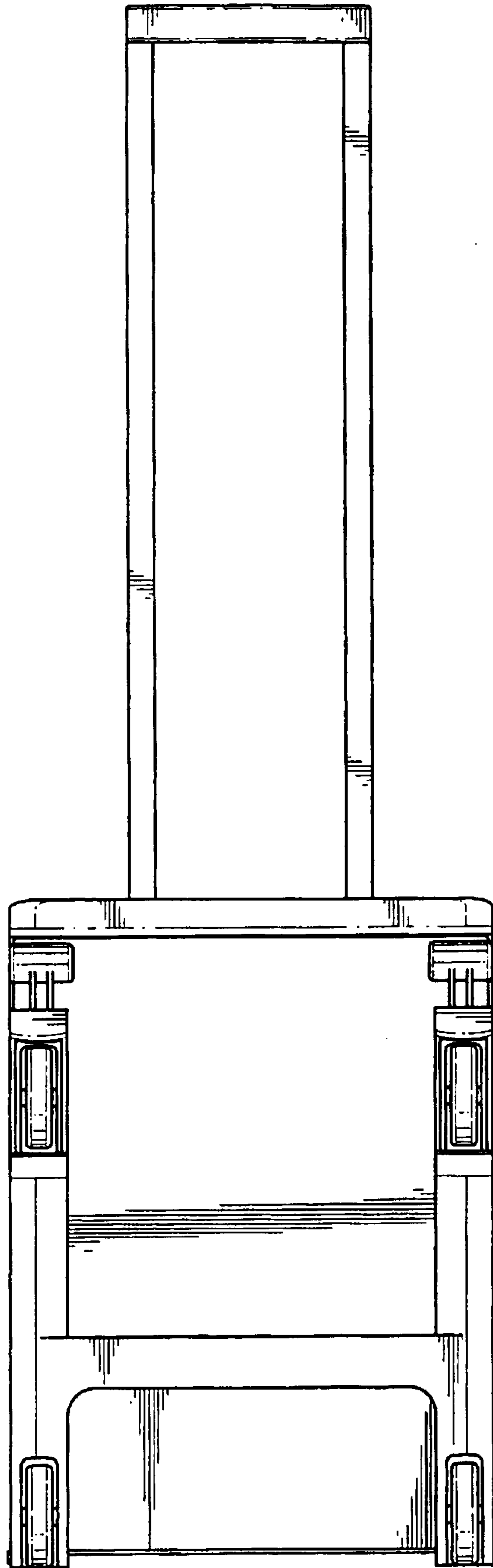


FIG. 15

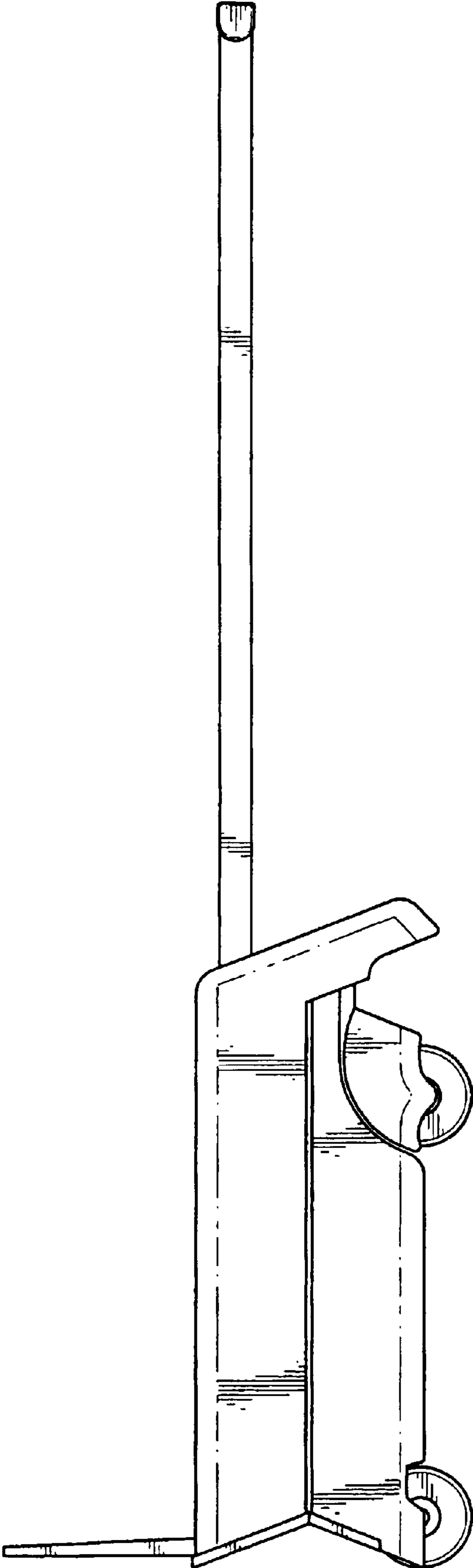


FIG. 16

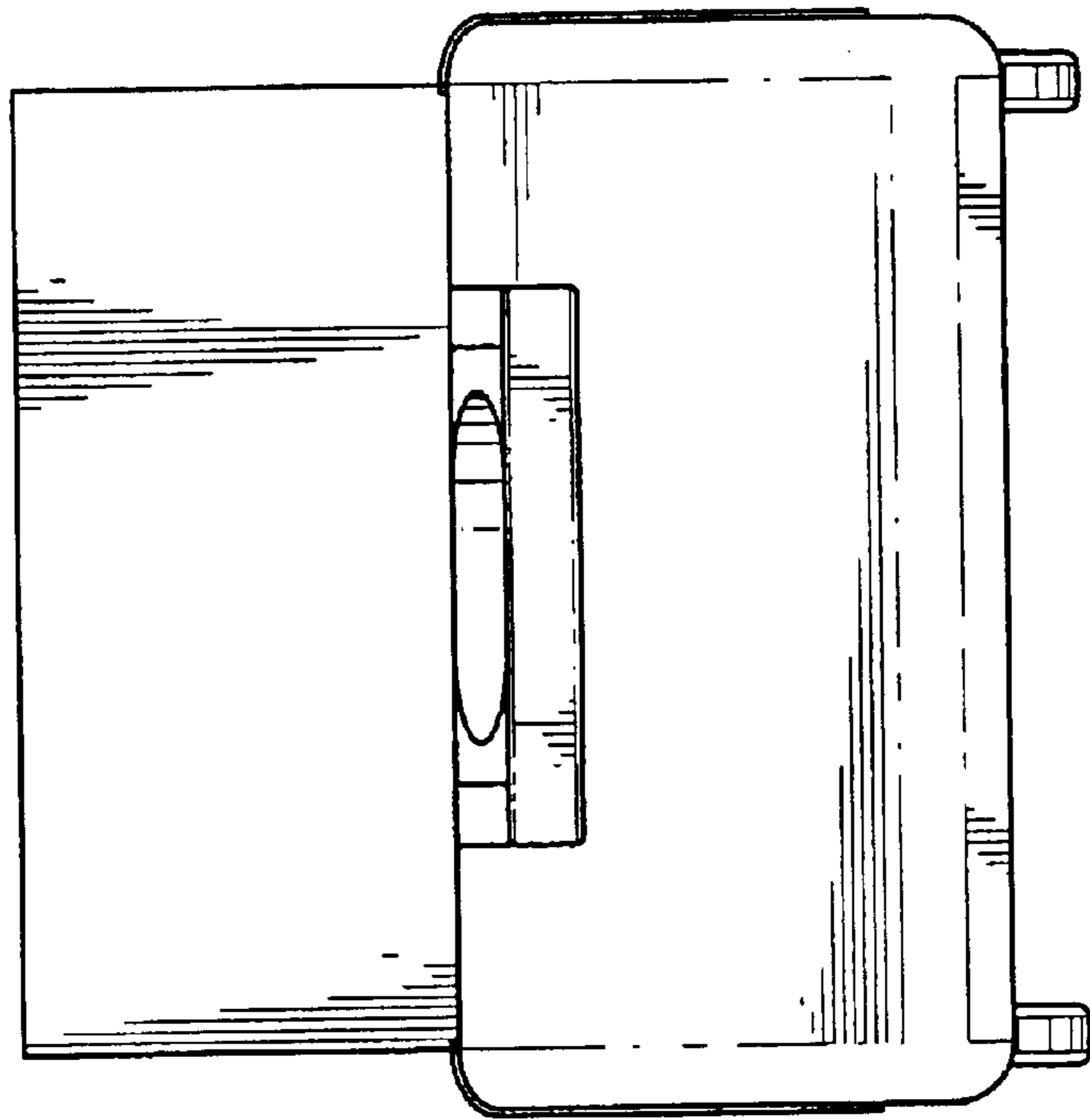


FIG. 17

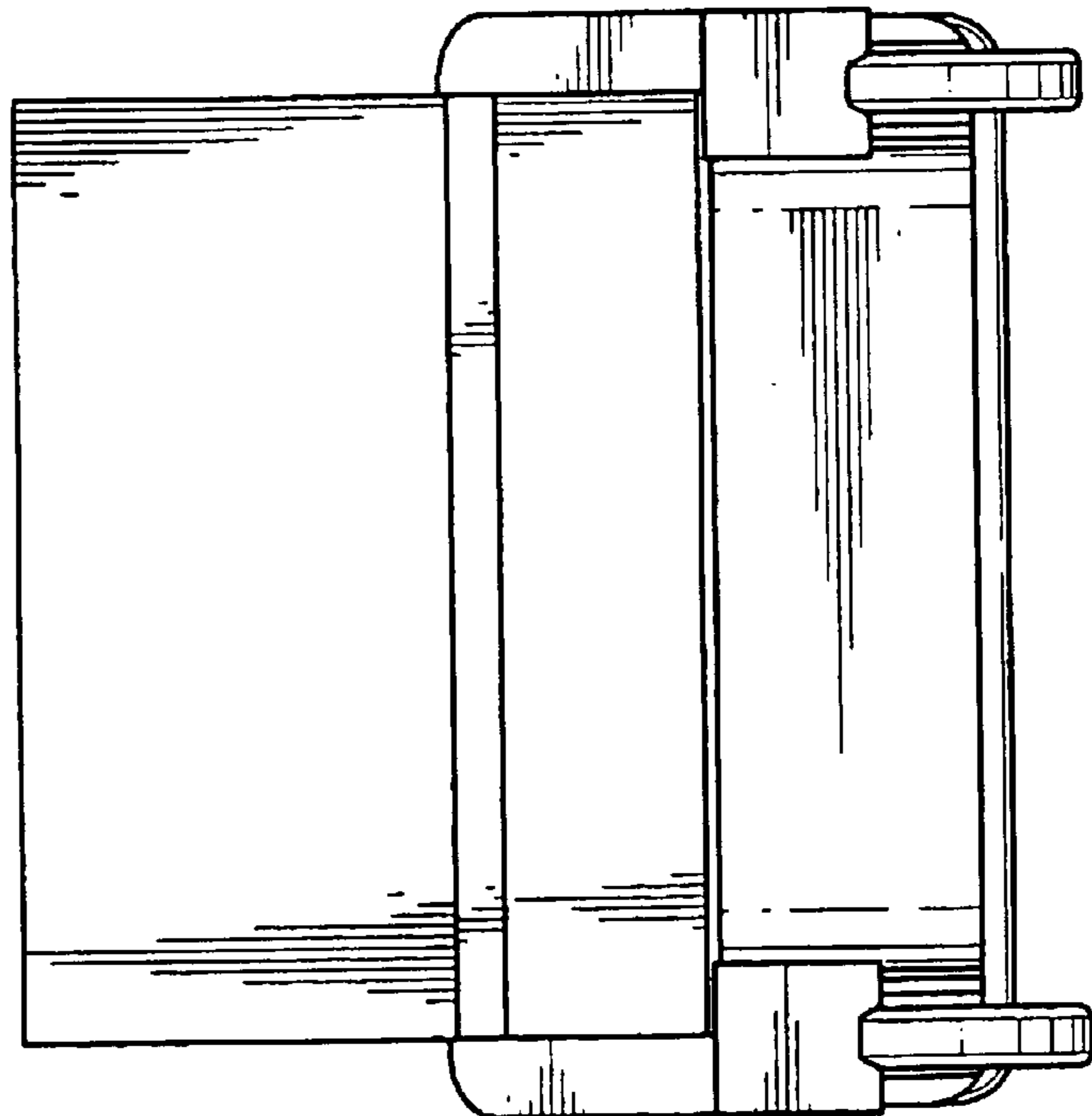


FIG. 18