

US00D524498S

(12) **United States Design Patent**
Luebbering et al.

(10) **Patent No.:** **US D524,498 S**
(45) **Date of Patent:** **** Jul. 4, 2006**

(54) **VACUUM CLEANER BASE**
(75) Inventors: **Greg Luebbering**, Heyworth, IL (US);
Arnie Sepke, Hudson, IL (US); **Vince Bobrosky**, Normal, IL (US)

(73) Assignee: **Electrolux Home Care Products North America**, Bloomington, IL (US)

(**) Term: **14 Years**

(21) Appl. No.: **29/225,783**

(22) Filed: **Mar. 21, 2005**

(51) **LOC (8) Cl.** **15-05**

(52) **U.S. Cl.** **D32/32**

(58) **Field of Classification Search** D32/22,
D32/30-34; 15/321-322, 329, 400, 410-411,
15/414-415.1, 416-422.1, 327.1, 394, 351;
285/7; D8/300, 302-303, 310, 317; 16/110.1
See application file for complete search history.

(56) **References Cited**

U.S. PATENT DOCUMENTS

D418,267 S * 12/1999 Lin D32/32
D463,080 S * 9/2002 Farone et al. D32/32

D473,687 S * 4/2003 Kaffenberger D32/33
D475,823 S * 6/2003 Medema et al. D32/32
D495,106 S * 8/2004 Leyden et al. D32/32
D499,850 S * 12/2004 Leyden D32/32
D506,048 S * 6/2005 Downey et al. D32/32
D506,586 S * 6/2005 Carr et al. D32/32

* cited by examiner

Primary Examiner—Ruth McInroy

(74) *Attorney, Agent, or Firm*—Hunton & Williams

(57) **CLAIM**

We claim the ornamental design for a vacuum cleaner base, as shown and described.

DESCRIPTION

FIG. 1 is a front isometric view of a vacuum cleaner base showing the claimed design;
FIG. 2 is a rear isometric view of the vacuum cleaner base;
FIG. 3 is a front view of the vacuum cleaner base;
FIG. 4 is a rear view of the vacuum cleaner base;
FIG. 5 is a right view of the vacuum cleaner base;
FIG. 6 is a left view of the vacuum cleaner base;
FIG. 7 is a top view of the vacuum cleaner base; and,
FIG. 8 is a bottom view of the vacuum cleaner base.

1 Claim, 4 Drawing Sheets

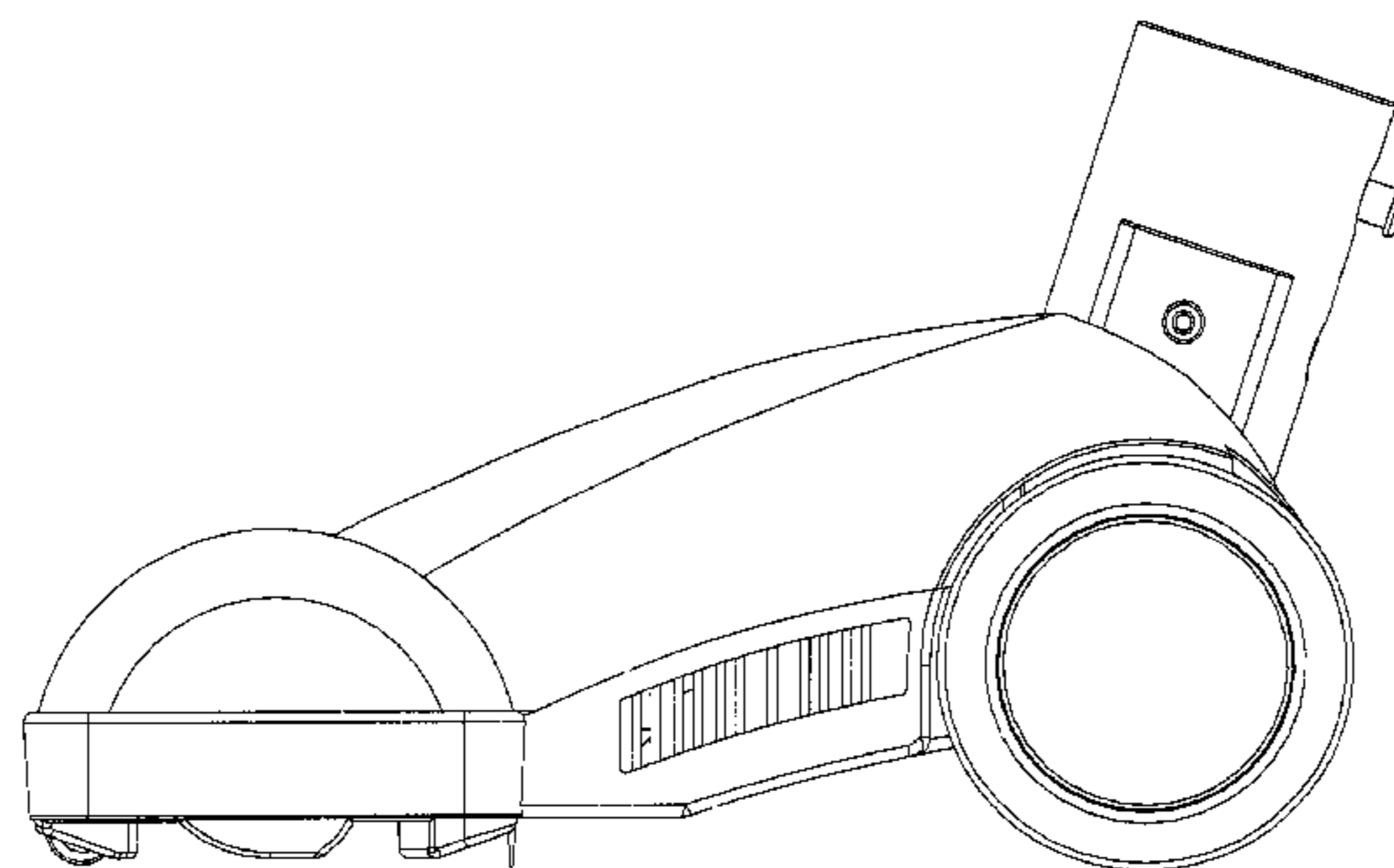
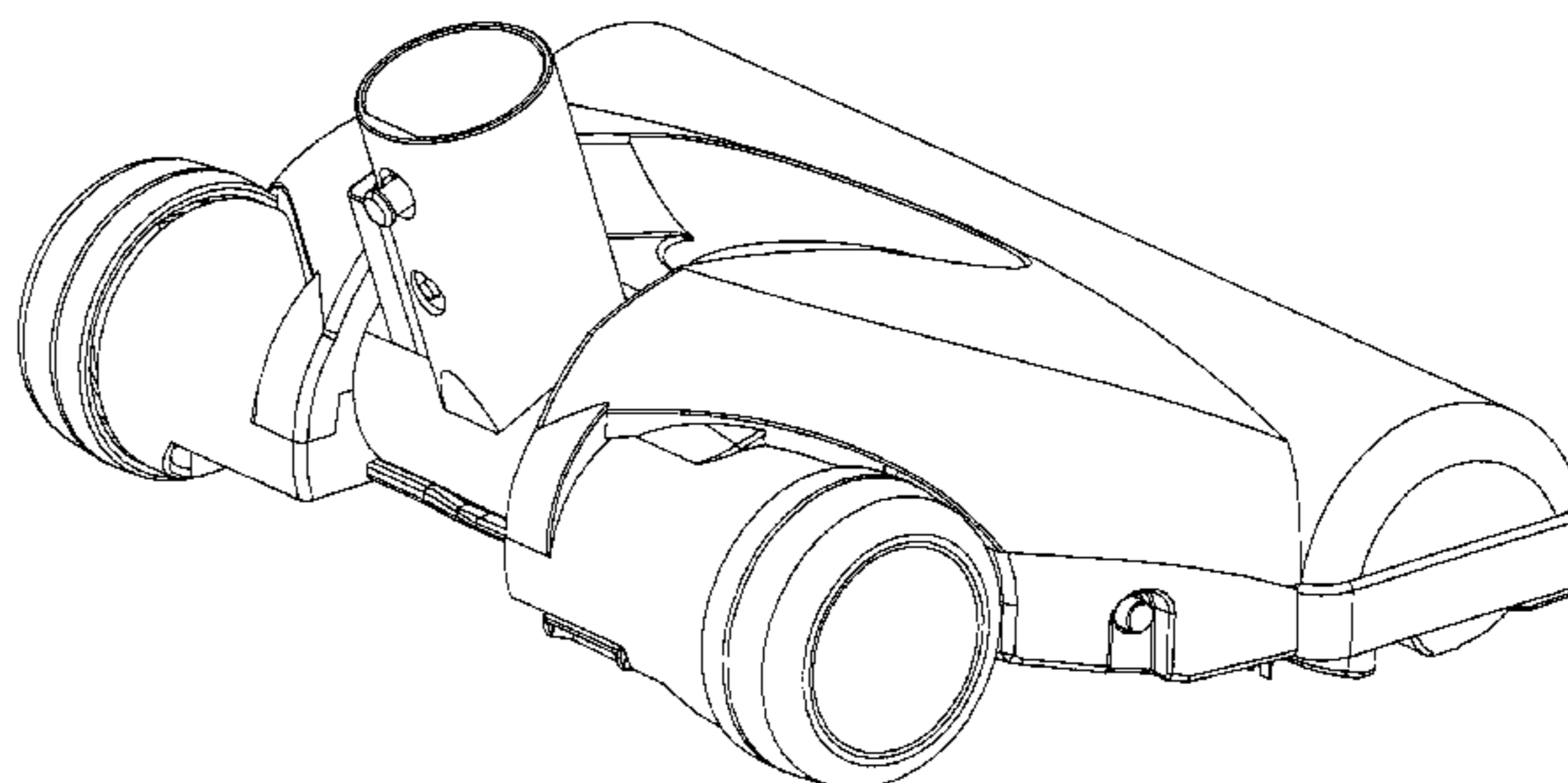
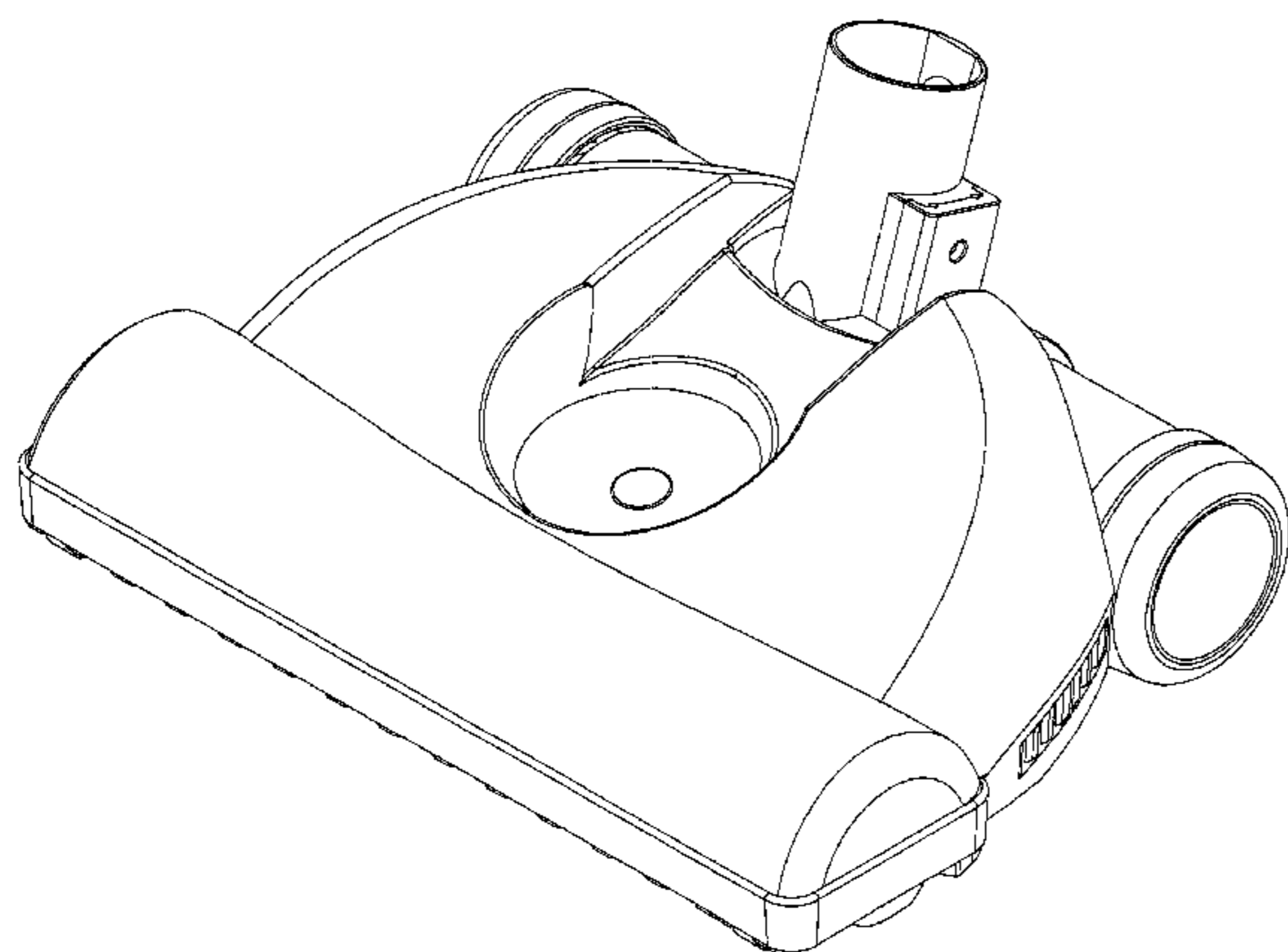


FIG. 1

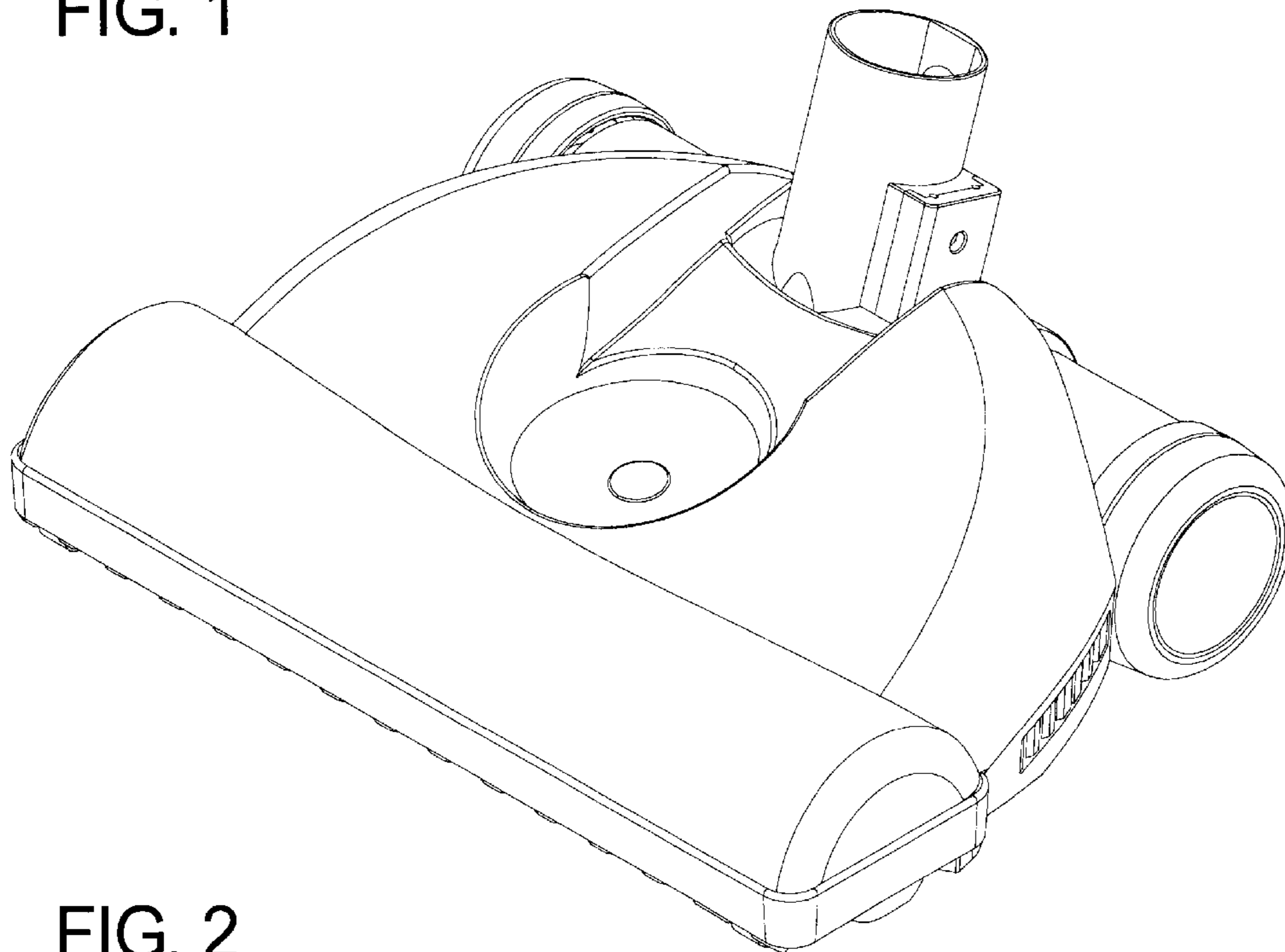


FIG. 2

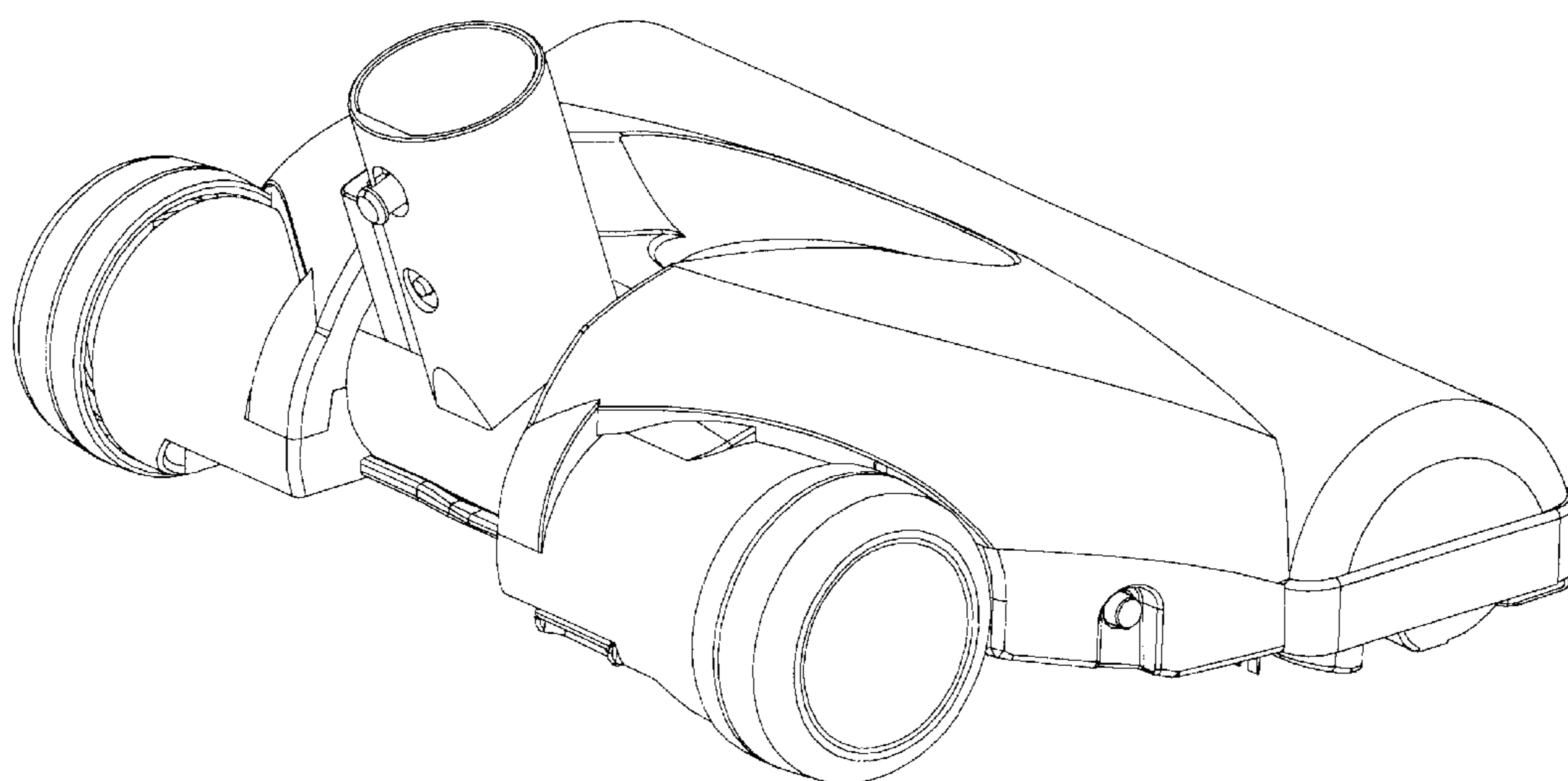


FIG. 3

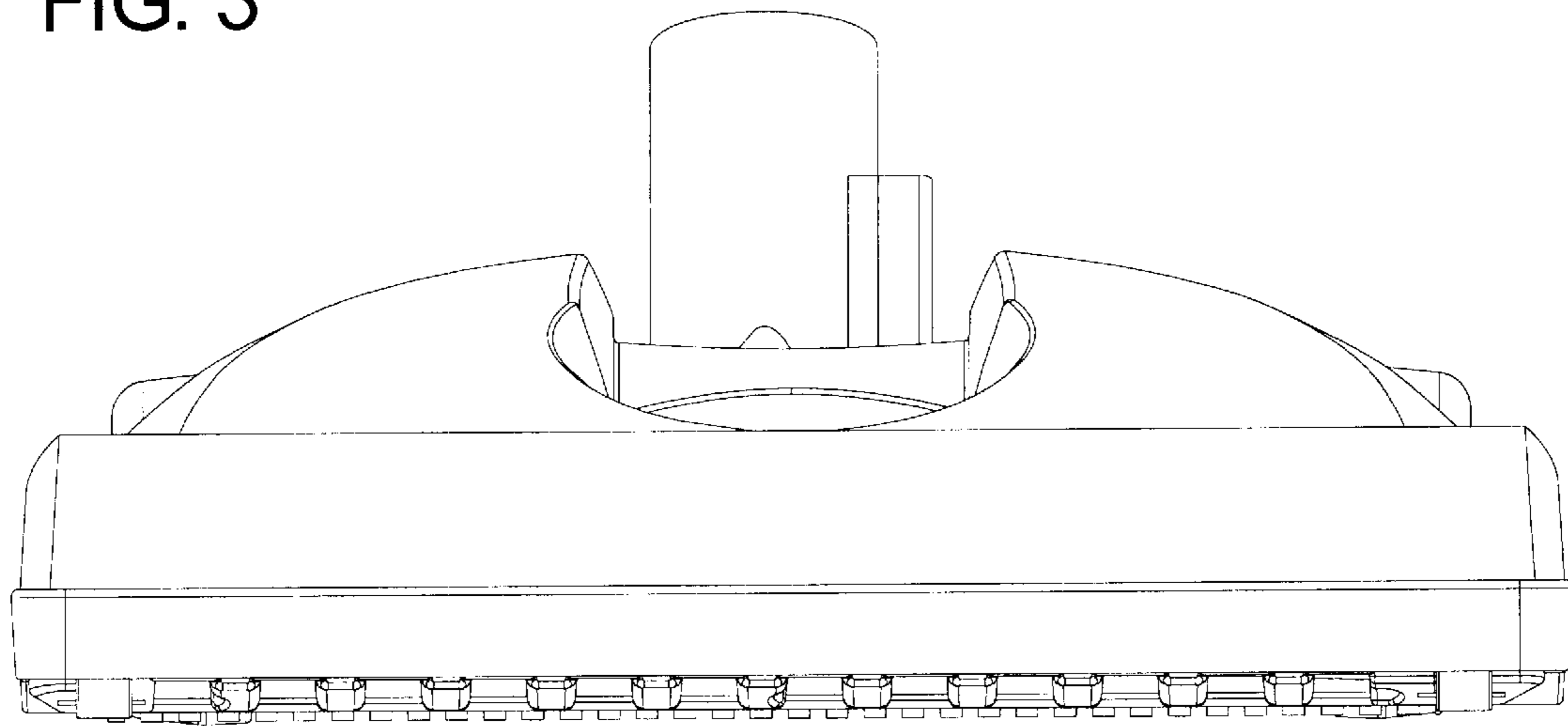


FIG. 4

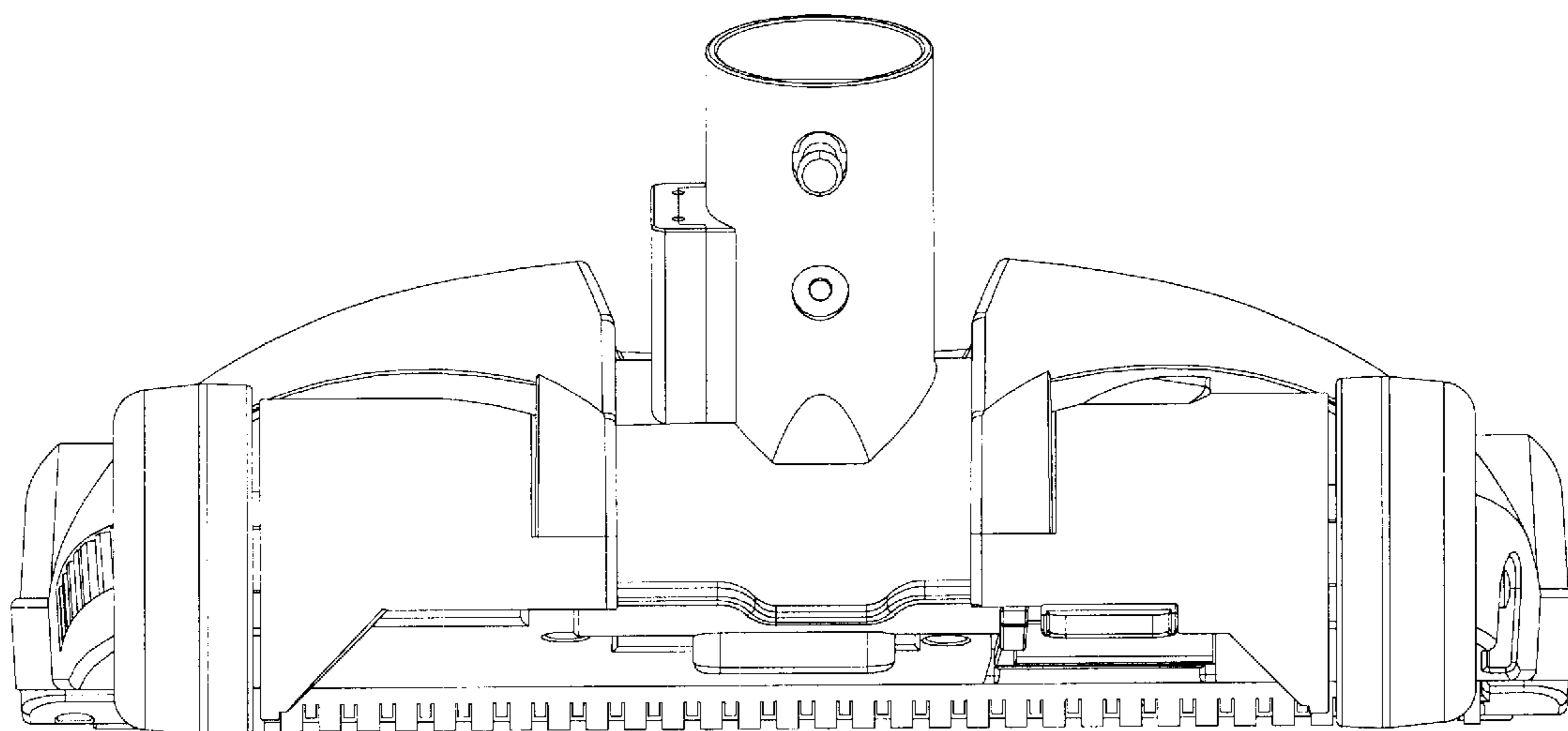


FIG. 5

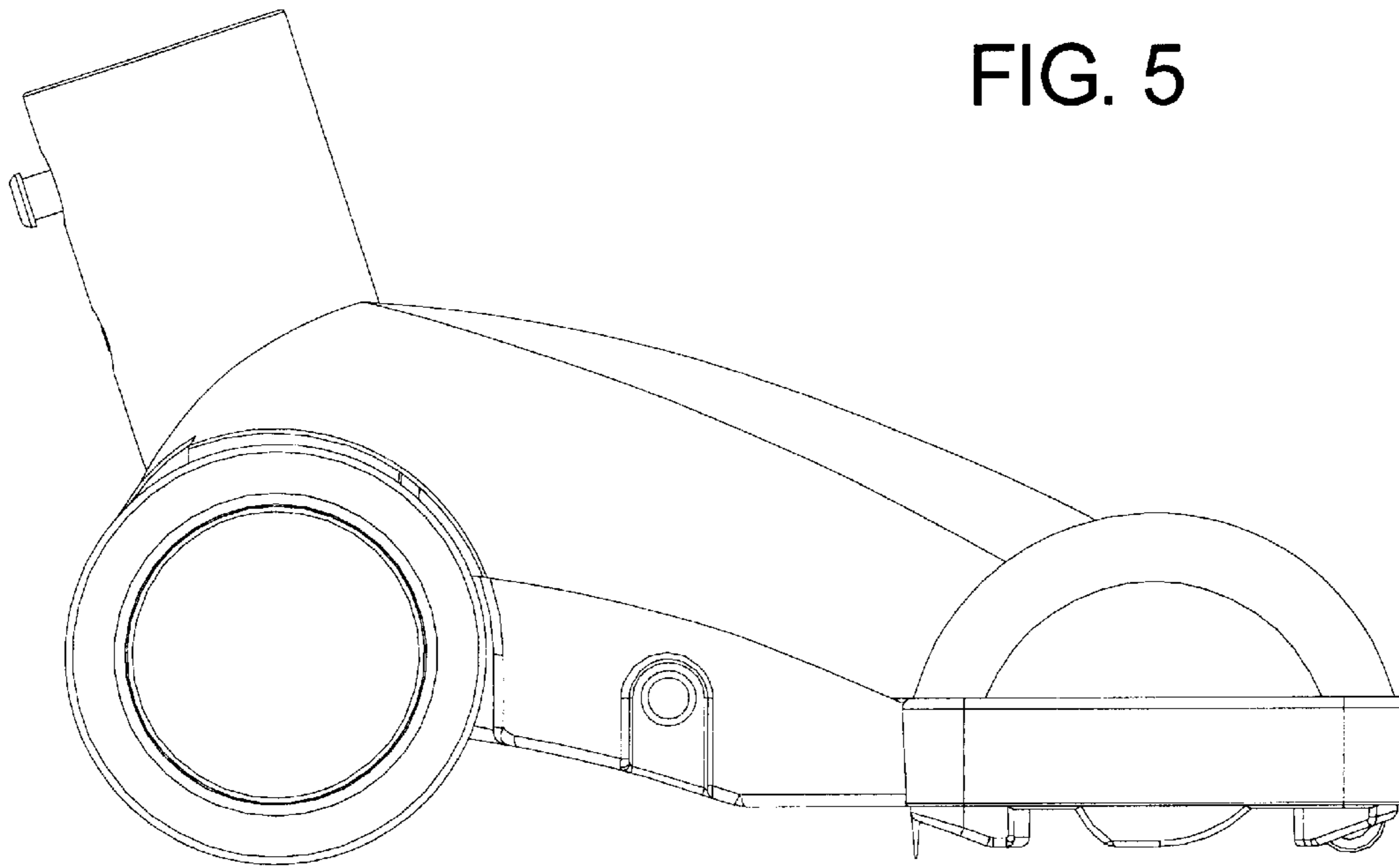


FIG. 6

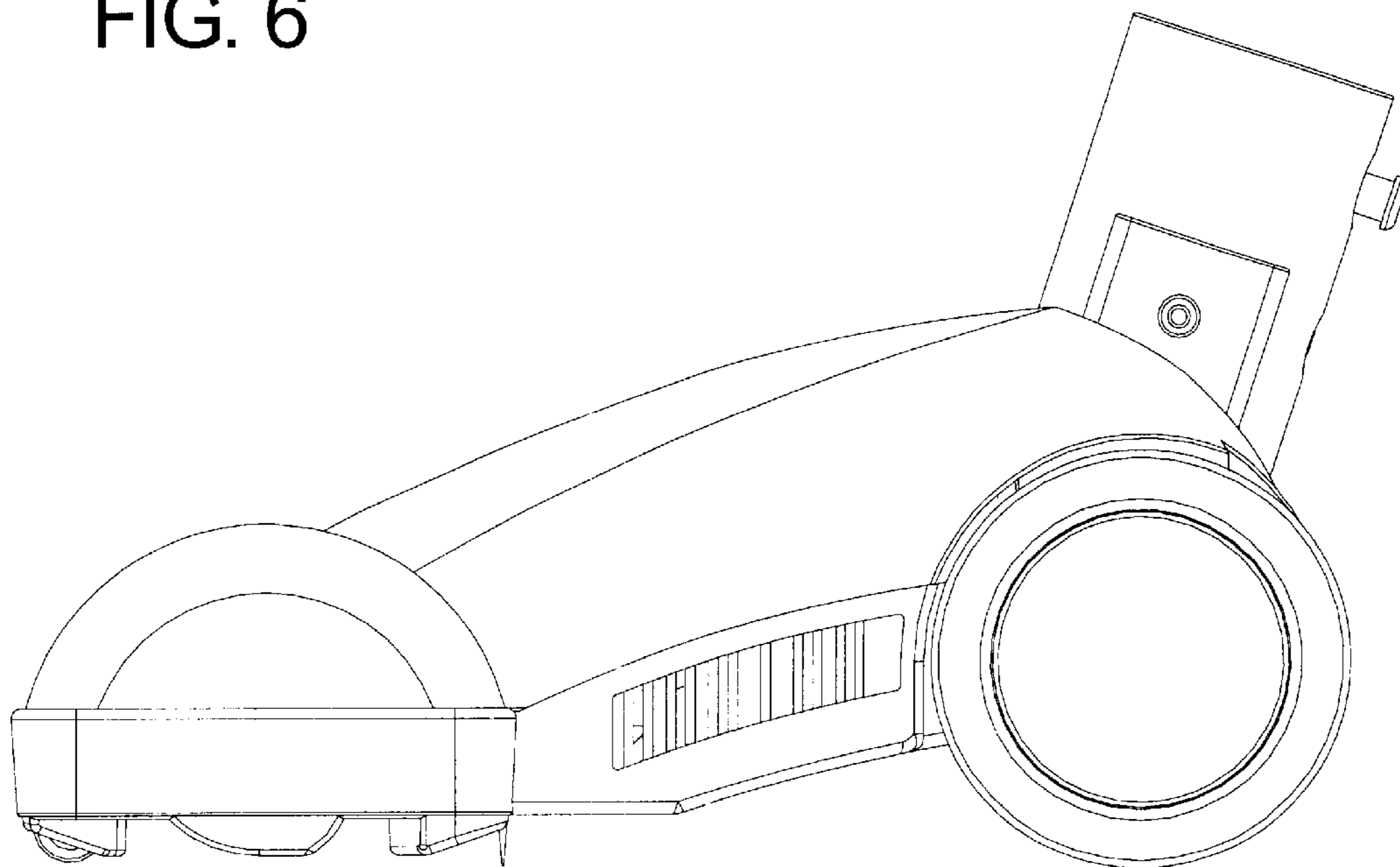


FIG. 7

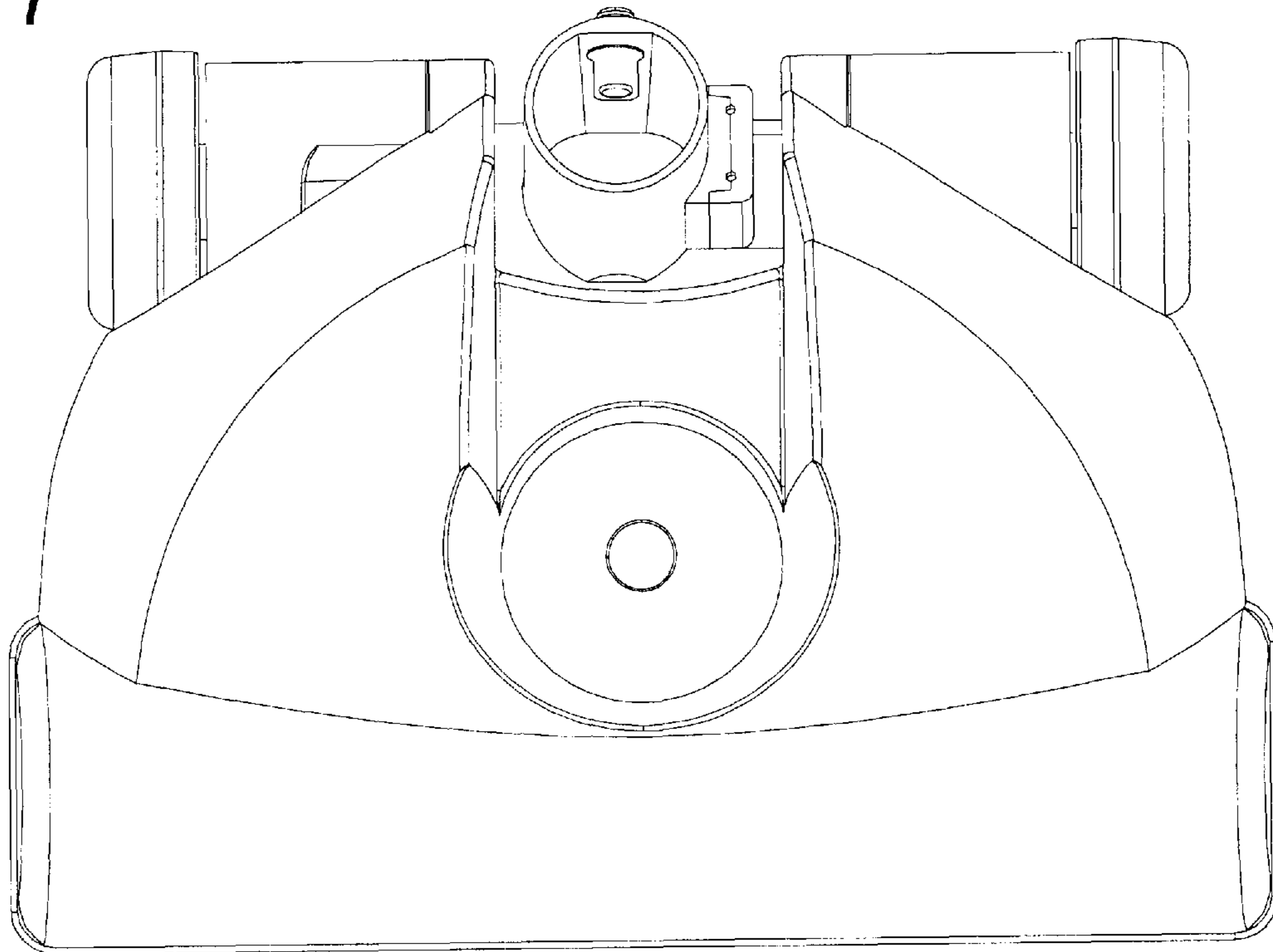


FIG. 8

