



US00D524495S

(12) **United States Design Patent**
Ljunggren

(10) **Patent No.:** **US D524,495 S**

(45) **Date of Patent:** **** Jul. 4, 2006**

(54) **ROBOT VACUUM CLEANER**

(75) Inventor: **Inese Ljunggren**, Stockholm (SE)

(73) Assignee: **Aktiebolaget Electrolux**, Stockholm (SE)

(**) Term: **14 Years**

(21) Appl. No.: **29/201,310**

(22) Filed: **Mar. 12, 2004**

Related U.S. Application Data

(63) Continuation of application No. 29/185,302, filed on Jun. 24, 2003.

(51) **LOC (8) Cl.** **15-05**

(52) **U.S. Cl.** **D32/21**

(58) **Field of Classification Search** D32/1,
D32/21, 23, 31; 15/319, 358, 347, 327.1-327.2,
15/327.6, 327.7, 1.51; 134/18, 21; 701/23;
700/259; 901/1, 50

See application file for complete search history.

(56) **References Cited**

U.S. PATENT DOCUMENTS

D182,364 S	3/1958	Jepson et al.
D187,065 S	1/1960	Chapman
3,135,987 A	6/1964	Huch
D212,257 S	9/1968	Schaefer et al.
D214,340 S	6/1969	Schaefer et al.
D233,645 S	11/1974	Diehl
D233,646 S	11/1974	Diehl
D233,647 S	11/1974	Diehl

D258,821 S	4/1981	Wareham et al.	
4,306,329 A	* 12/1981	Yokoi	15/319
5,109,566 A	* 5/1992	Kobayashi et al.	15/319
D375,592 S	11/1996	Ljunggren	
D381,478 S	* 7/1997	Amos	D32/21
5,781,960 A	* 7/1998	Kilstrom et al.	15/319
5,935,179 A	* 8/1999	Kleiner et al.	701/23
5,940,927 A	* 8/1999	Haegermarck et al.	15/319
D474,312 S	* 5/2003	Stephens et al.	D32/21
6,594,844 B1	* 7/2003	Jones	15/49.1
6,605,156 B1	* 8/2003	Clark et al.	134/6
6,748,297 B1	* 6/2004	Song et al.	700/259
2003/0192144 A1	* 10/2003	Song et al.	15/346
2004/0117079 A1	* 6/2004	Hulden	701/23
2004/0143927 A1	* 7/2004	Haegermarck et al.	15/319

* cited by examiner

Primary Examiner—Ruth McInroy

(74) *Attorney, Agent, or Firm*—Pearne & Gordon LLP

(57) **CLAIM**

The ornamental design for a robot vacuum cleaner, as shown and described.

DESCRIPTION

FIG. 1 is a front perspective view of a robot vacuum cleaner showing my new design;

FIG. 2 is a rear perspective view thereof;

FIG. 3 is a top view thereof;

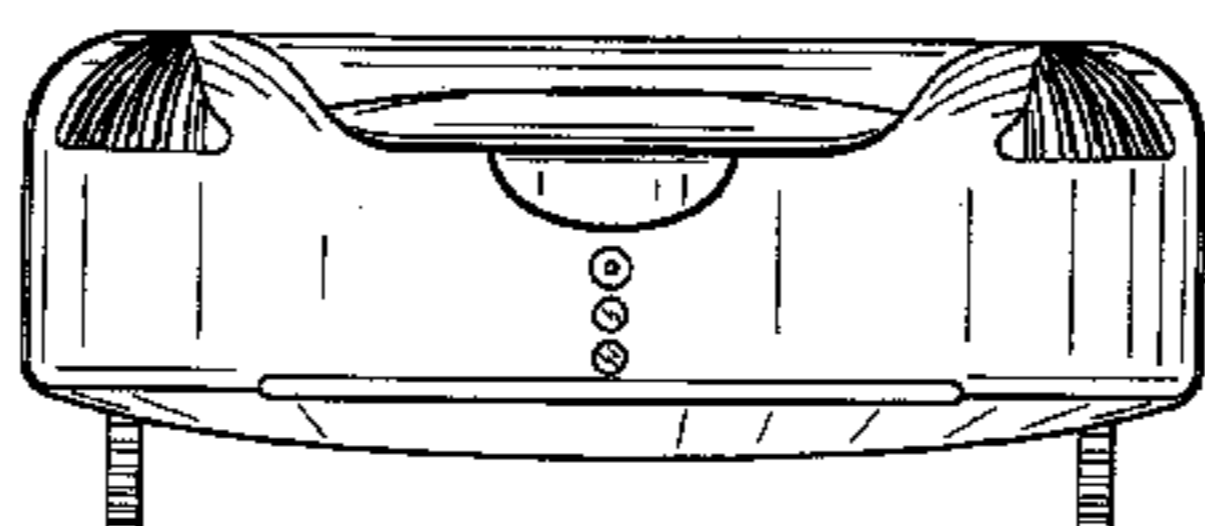
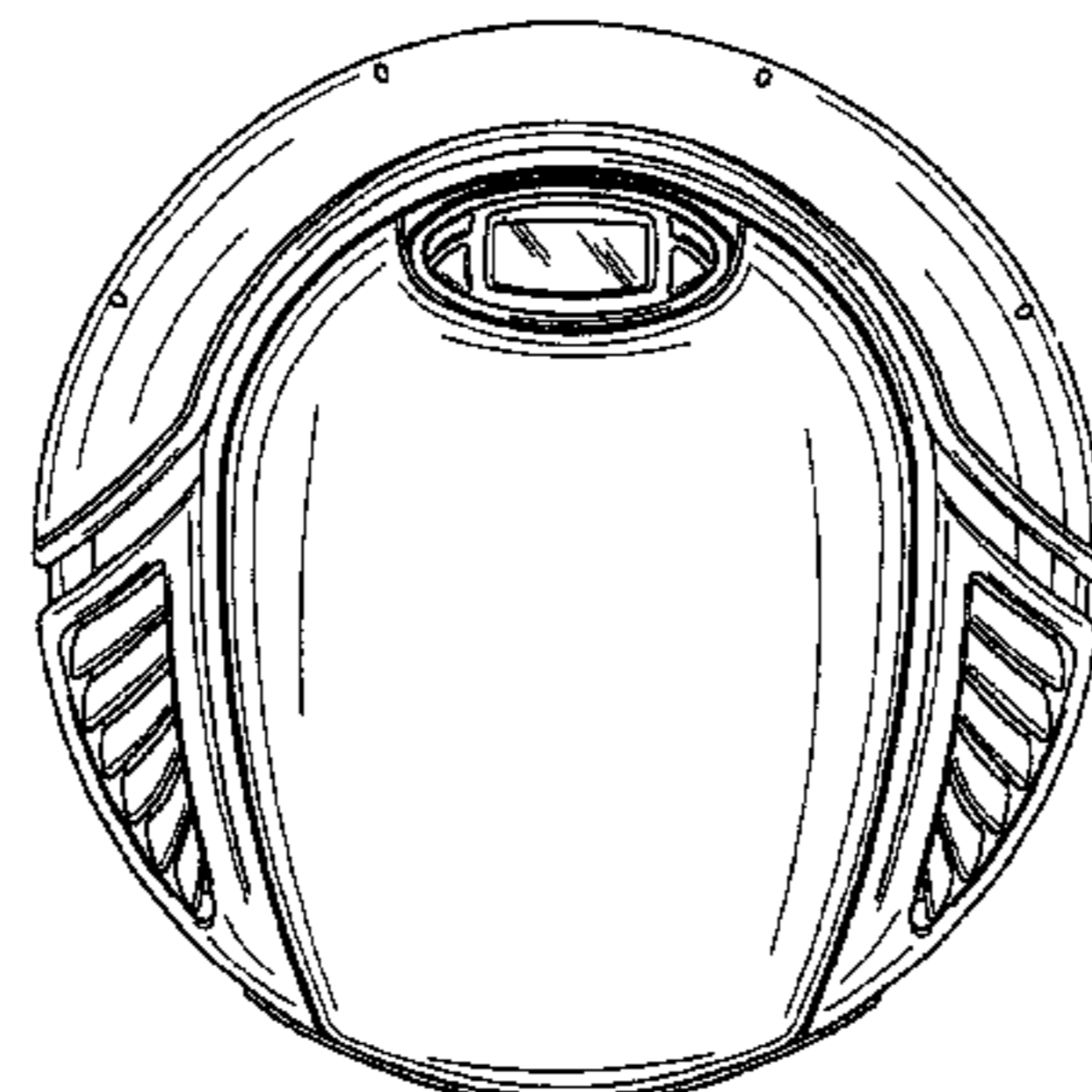
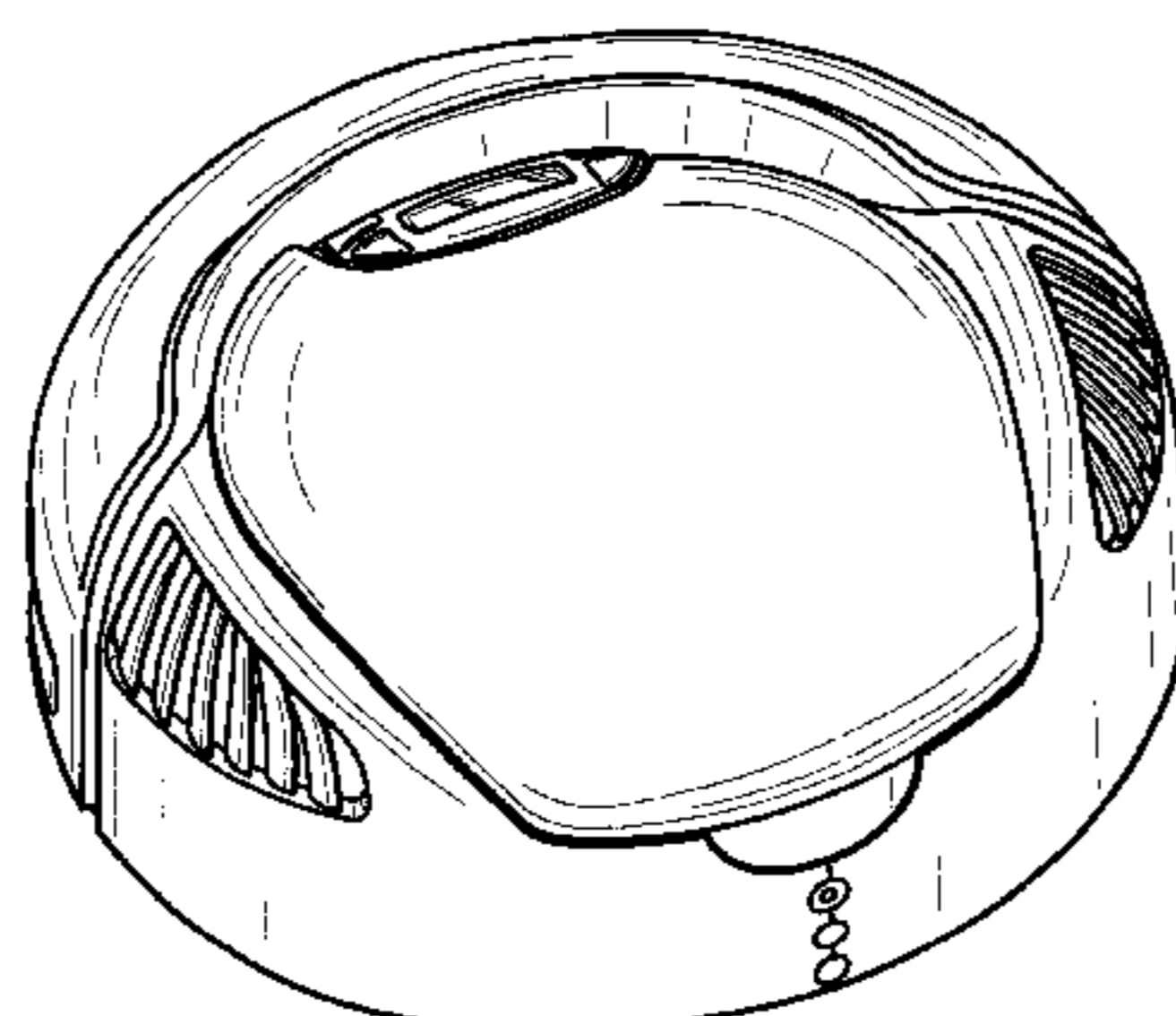
FIG. 4 is a front view thereof;

FIG. 5 is a rear view thereof;

FIG. 6 is a right side view thereof, the left side being a mirror image; and,

FIG. 7 is a bottom view thereof.

1 Claim, 3 Drawing Sheets



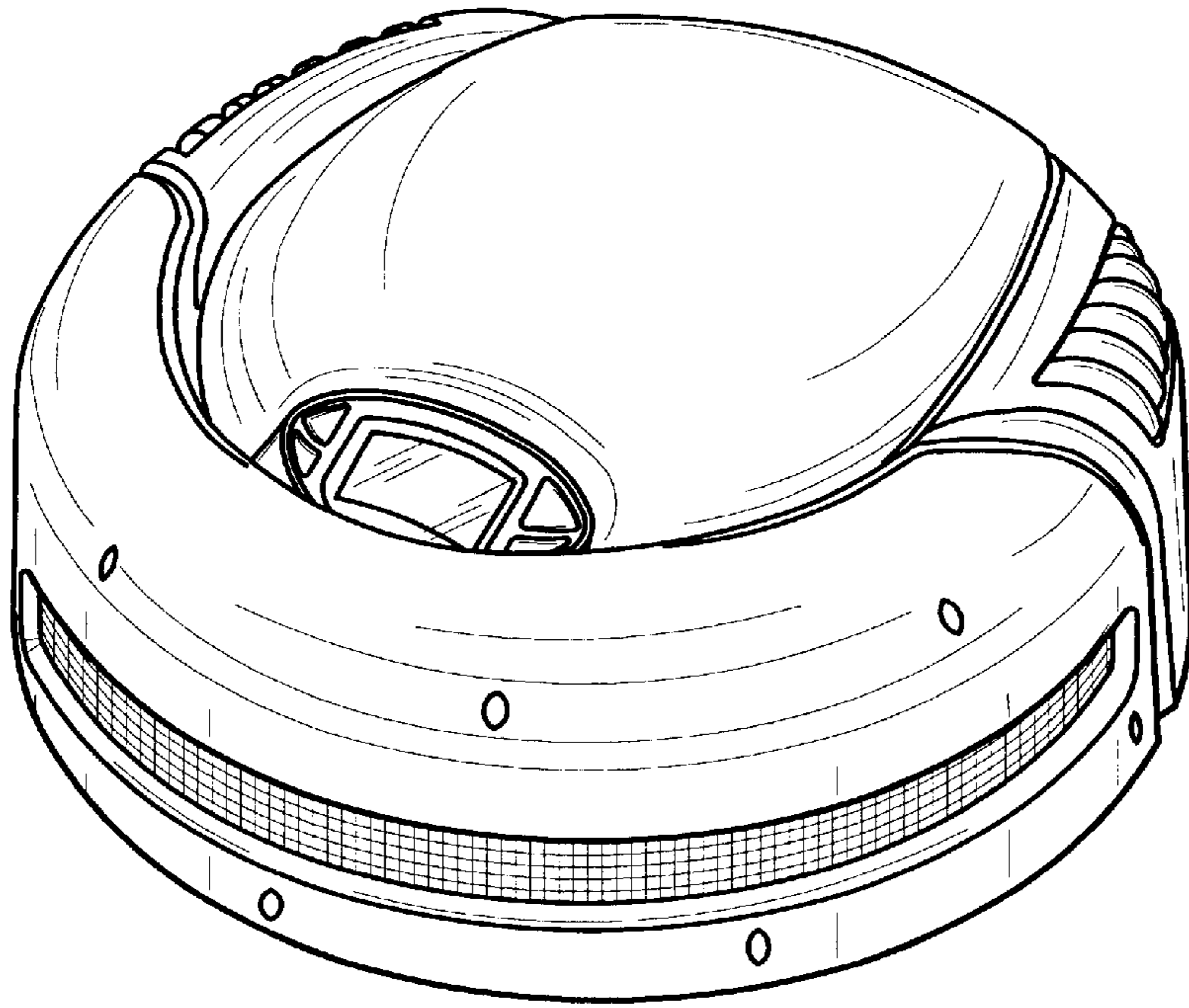


FIG. 1

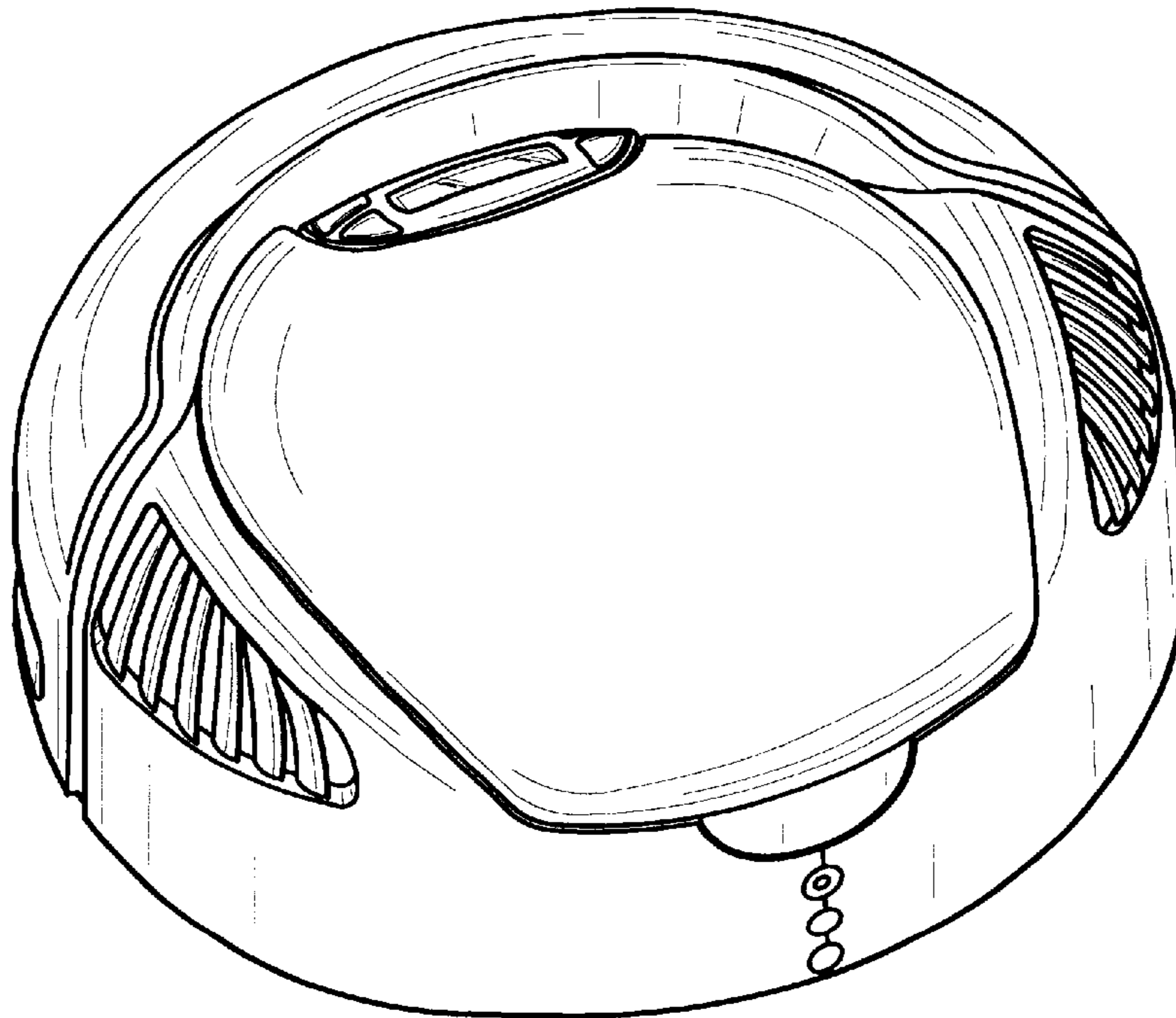


FIG. 2

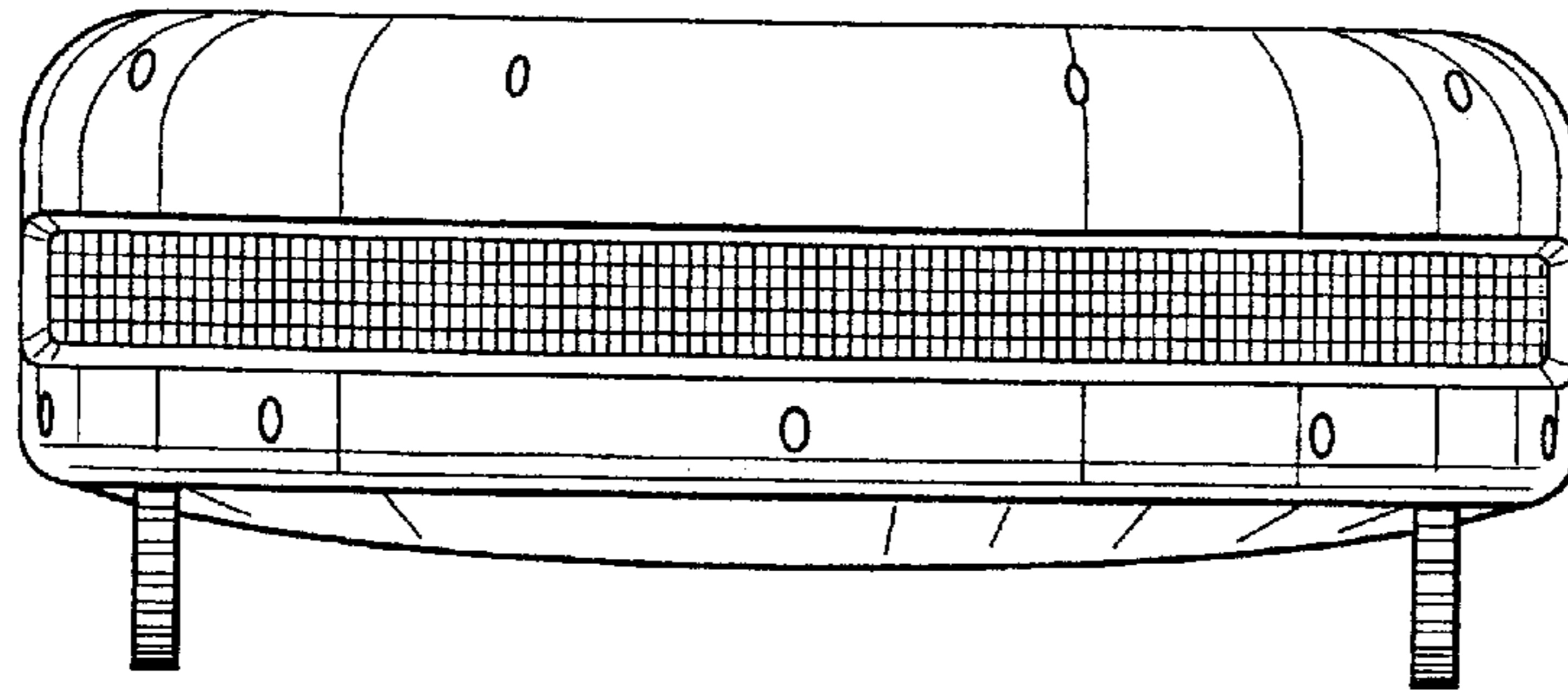


FIG. 4

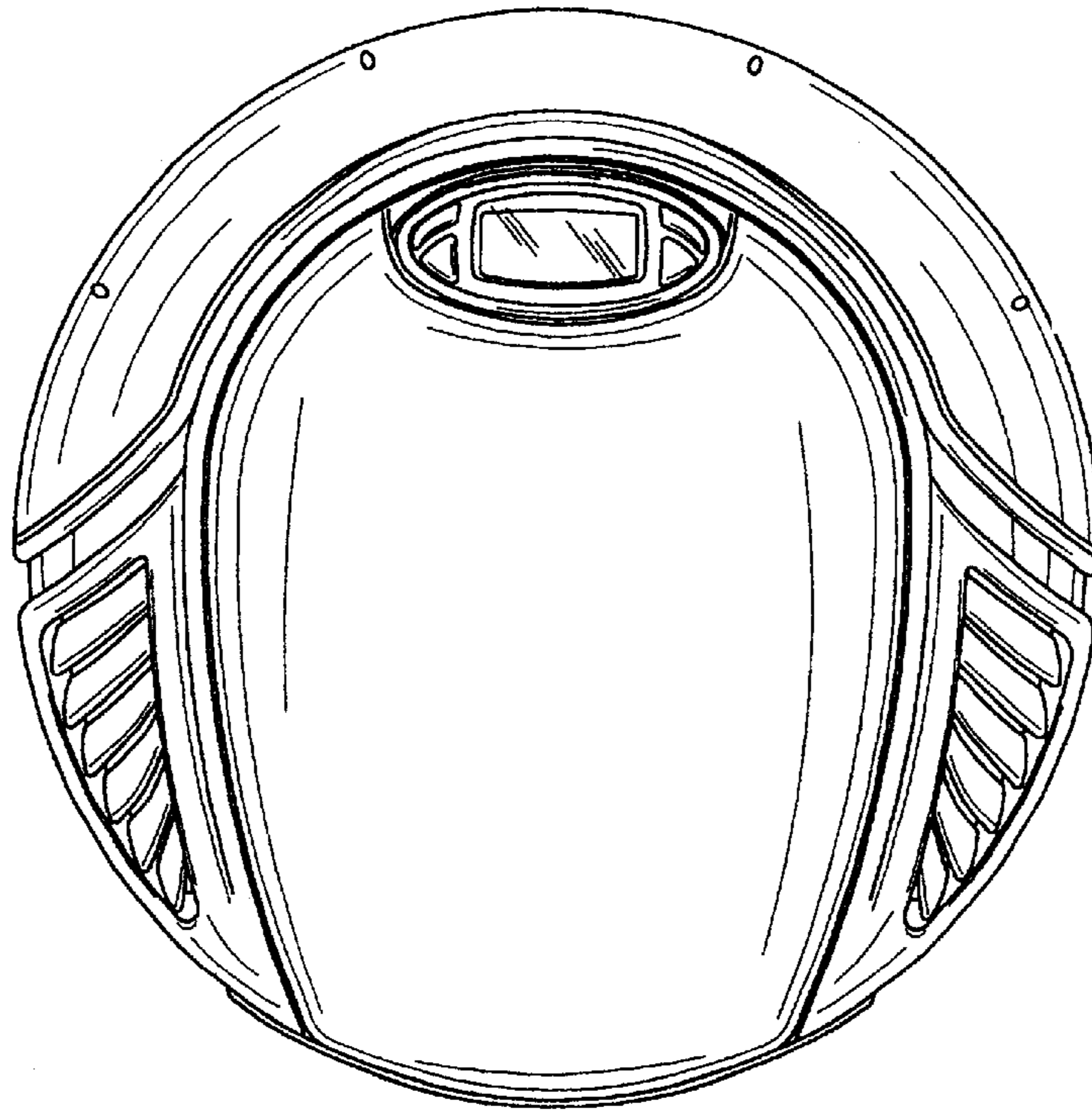


FIG. 3

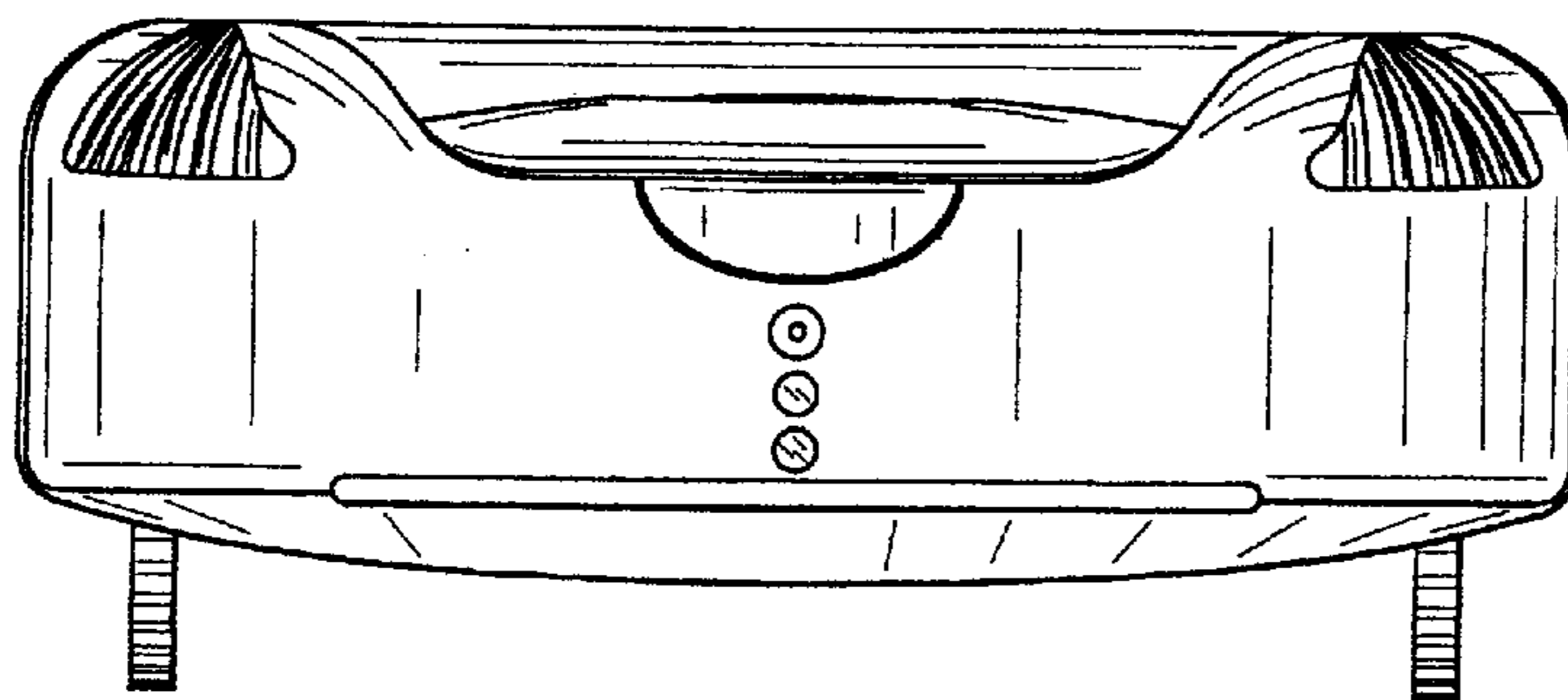


FIG. 5

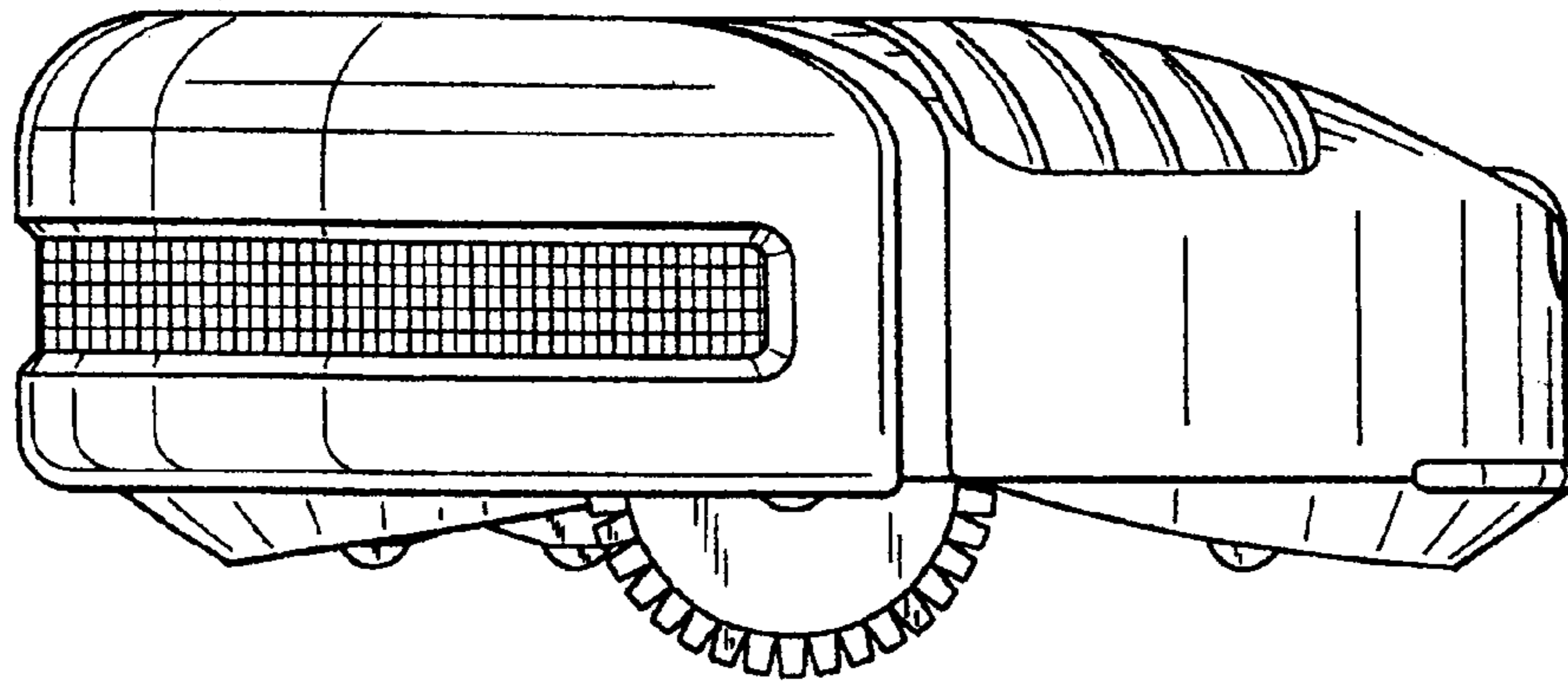


FIG. 6

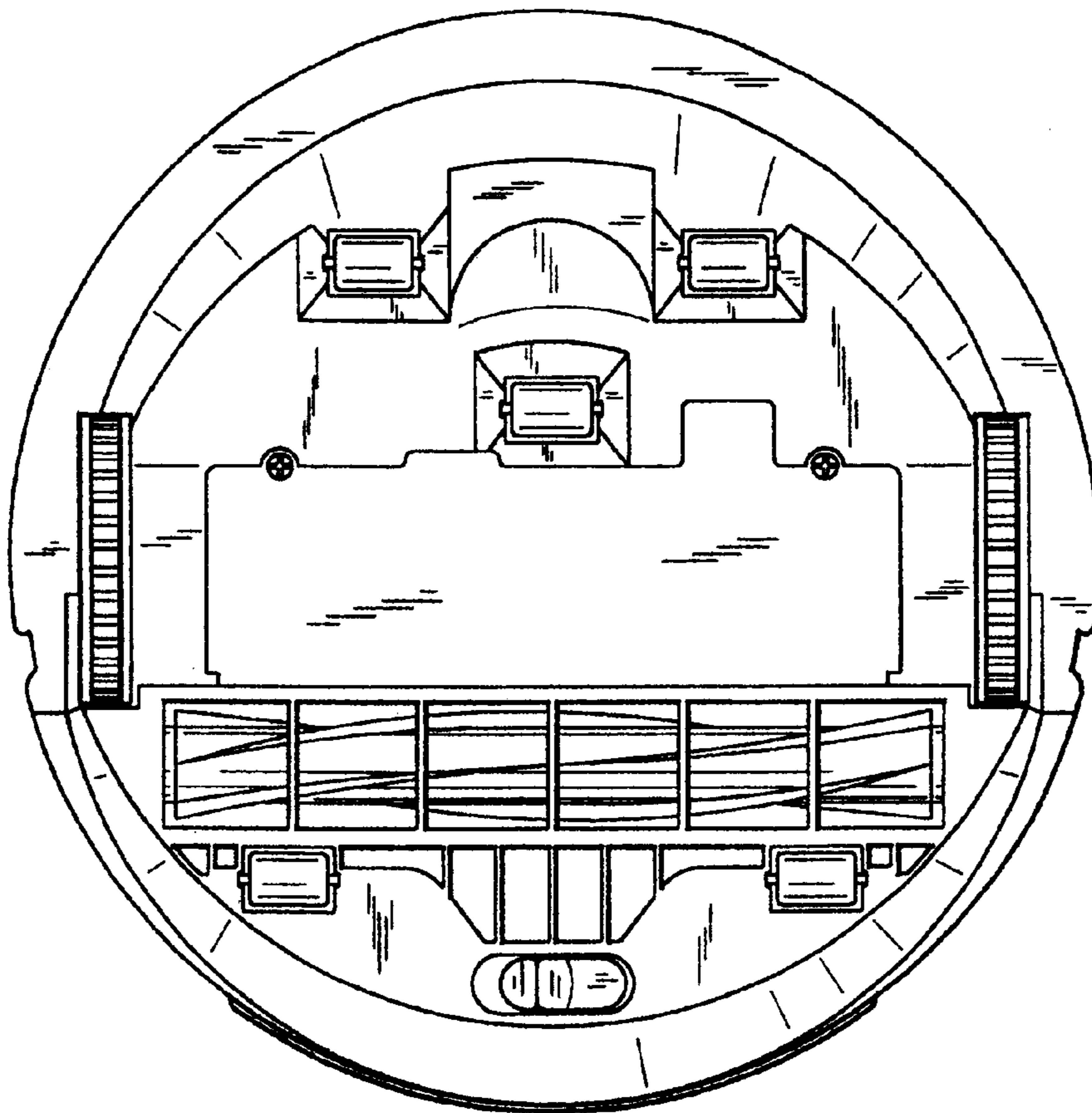


FIG. 7