



US00D524492S

(12) **United States Design Patent**  
**Wan et al.**

(10) **Patent No.:** **US D524,492 S**

(45) **Date of Patent:** **\*\* Jul. 4, 2006**

(54) **LITTER BOX**

(75) Inventors: **Yiu Chung Wan**, Tsuen Wan (HK);  
**Allan Ross**, Masury, OH (US)

(73) Assignee: **Doskocil Manufacturing Company,**  
**Inc.**, Arlington, TX (US)

(\*\*) Term: **14 Years**

(21) Appl. No.: **29/240,552**

(22) Filed: **Oct. 15, 2005**

(51) **LOC (8) Cl.** ..... **30-99**

(52) **U.S. Cl.** ..... **D30/161**

(58) **Field of Classification Search** ..... D30/161;  
119/191-170

See application file for complete search history.

(56) **References Cited**

**U.S. PATENT DOCUMENTS**

3,822,671	A	*	7/1974	Rosenberg	.....	119/161
D250,051	S	*	10/1978	Spinks	.....	D30/161
D272,569	S	*	2/1984	Argentine et al.	.....	D30/161
4,574,735	A		3/1986	Hohenstein		
D298,371	S	*	11/1988	Reynolds	.....	D30/161
D308,589	S	*	6/1990	Shay	.....	D30/161
D370,317	S	*	5/1996	Kohus	.....	D30/161
D373,663	S	*	9/1996	Walter	.....	D30/161

5,662,066	A	*	9/1997	Reitz	.....	119/163
5,931,119	A		8/1999	Nissim et al.		
6,234,112	B1		5/2001	Emery		
6,286,459	B1		9/2001	Parr		
D463,887	S	*	10/2002	Walter et al.	.....	D30/161
6,463,881	B1	*	10/2002	Reitz	.....	119/163
6,568,348	B1		5/2003	Bedard		
6,761,130	B1	*	7/2004	Vicknair	.....	119/165
6,763,782	B1		7/2004	Kordelin		
D496,501	S	*	9/2004	Walter et al.	.....	D30/161
2005/0172909	A1	*	8/2005	Emery	.....	119/166

\* cited by examiner

*Primary Examiner*—Cathy Anne MacCormac

(74) *Attorney, Agent, or Firm*—Locke Liddell & Sapp

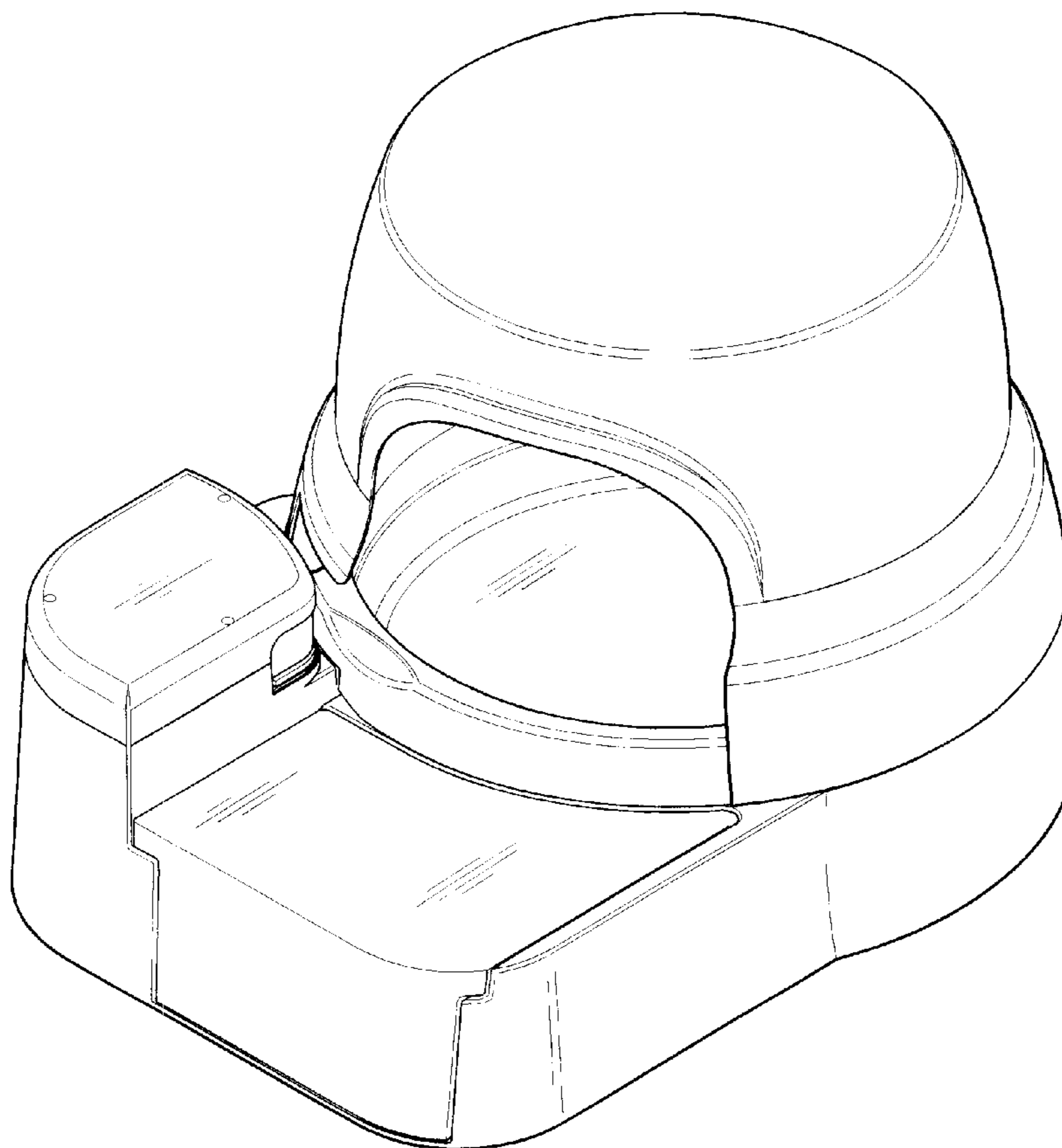
(57) **CLAIM**

The ornamental design for a litter box, as shown and described.

**DESCRIPTION**

FIG. 1 is a perspective view of a litter box;  
FIG. 2 is a front elevational view thereof;  
FIG. 3 is a top plan view thereof;  
FIG. 4 is a right side elevational view thereof;  
FIG. 5 is a left side elevational view thereof; and,  
FIG. 6 is a rear elevational view thereof.

**1 Claim, 3 Drawing Sheets**



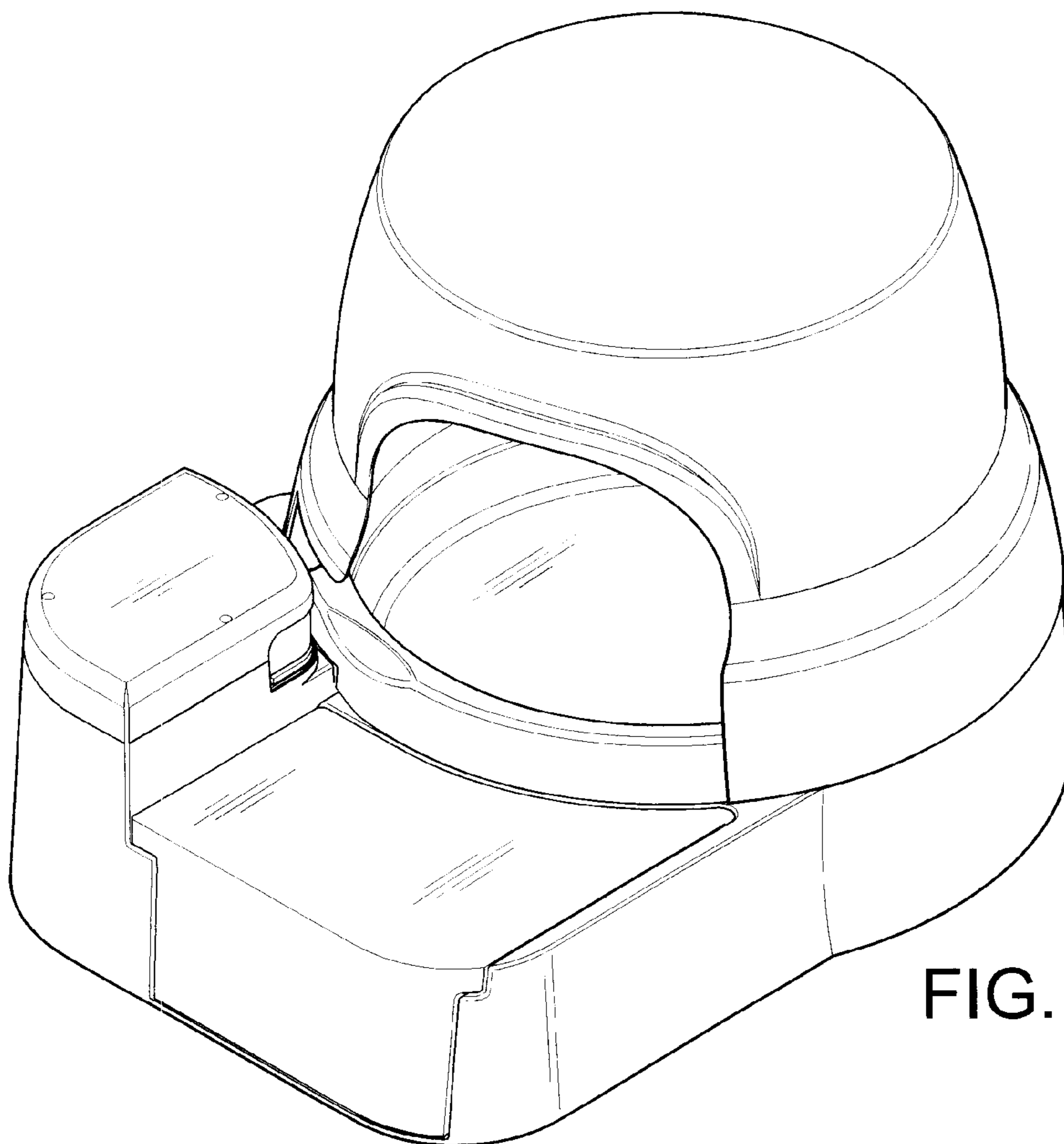


FIG. 1

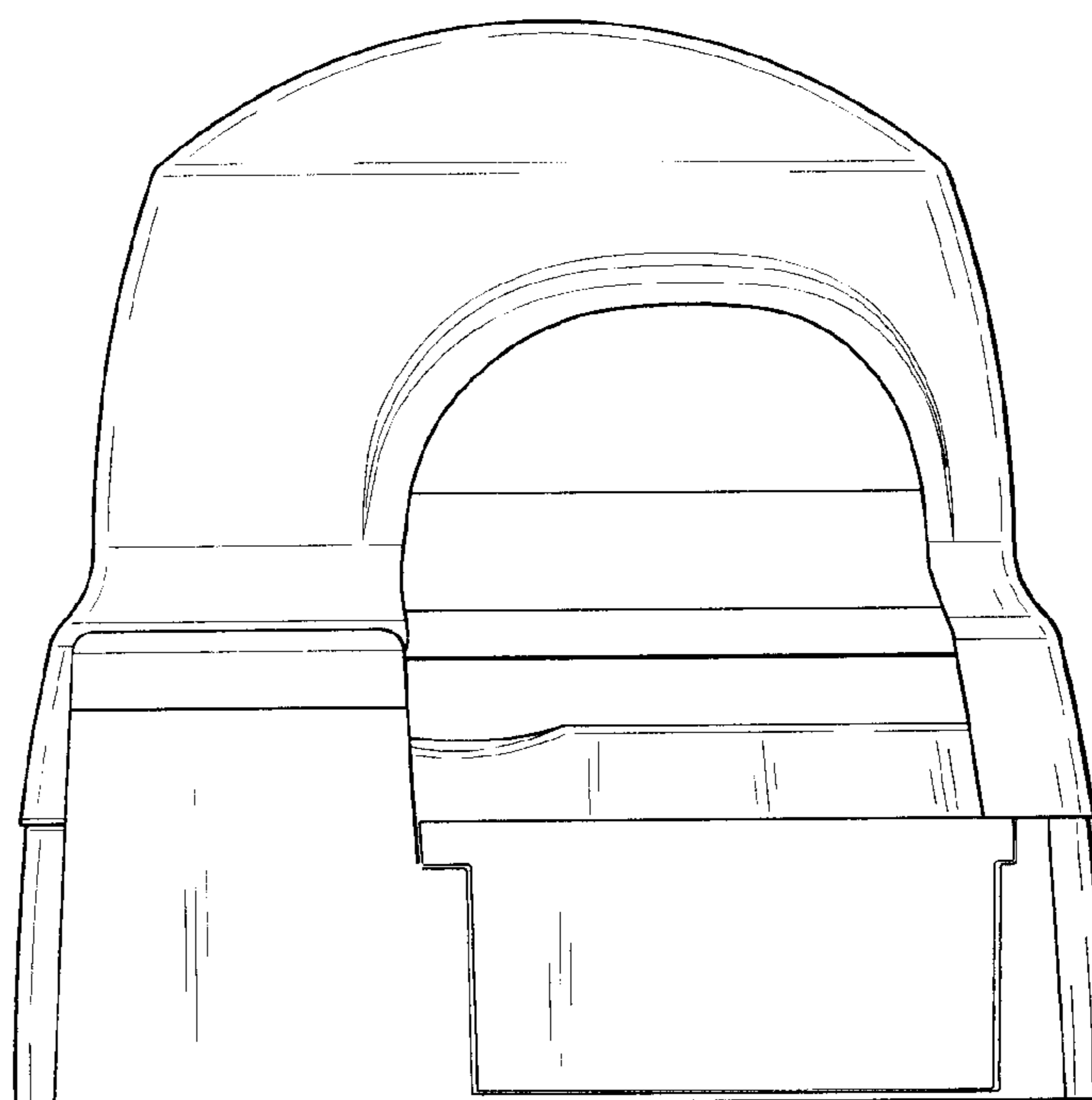


FIG. 2

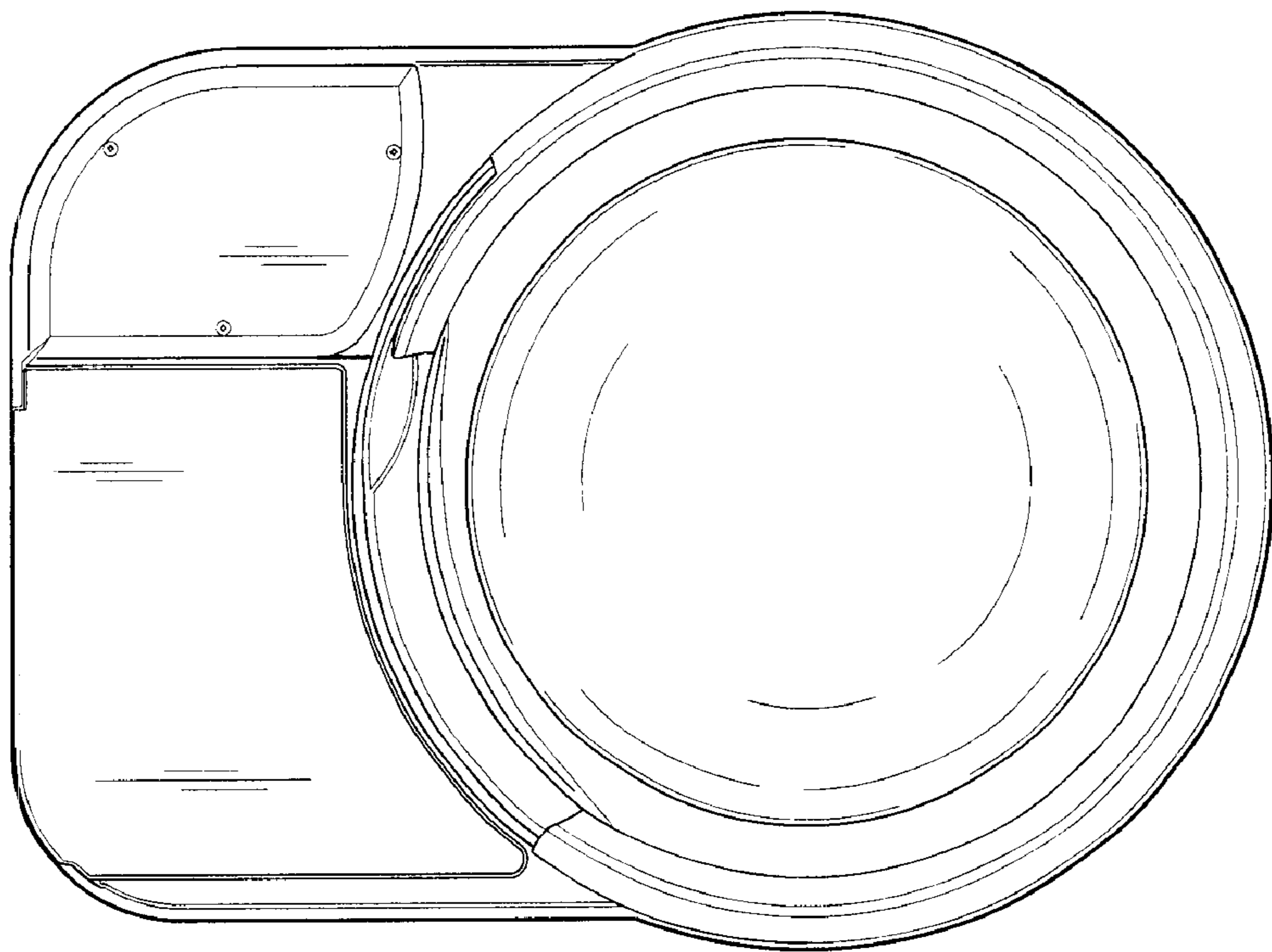


FIG. 3

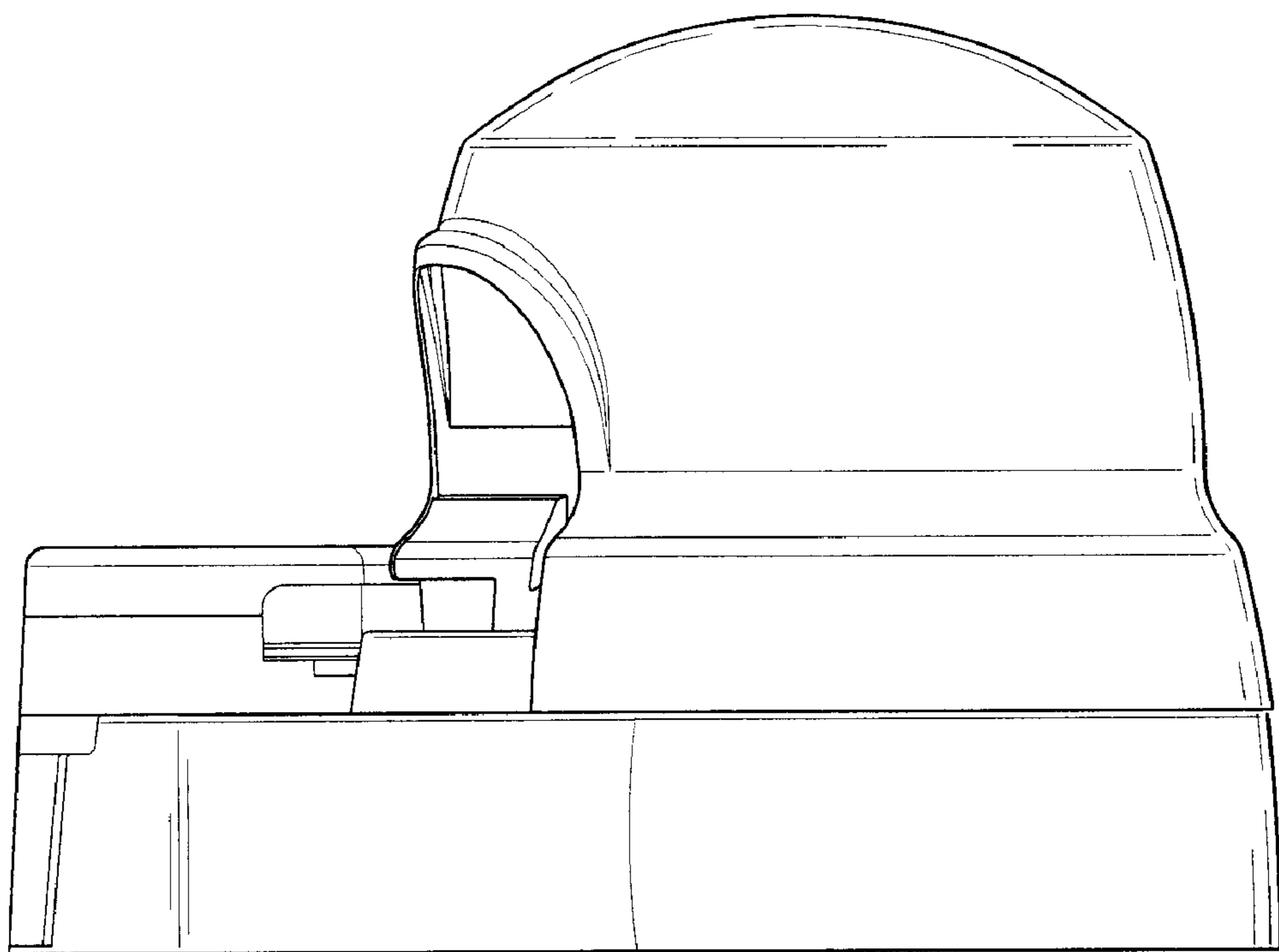


FIG. 4

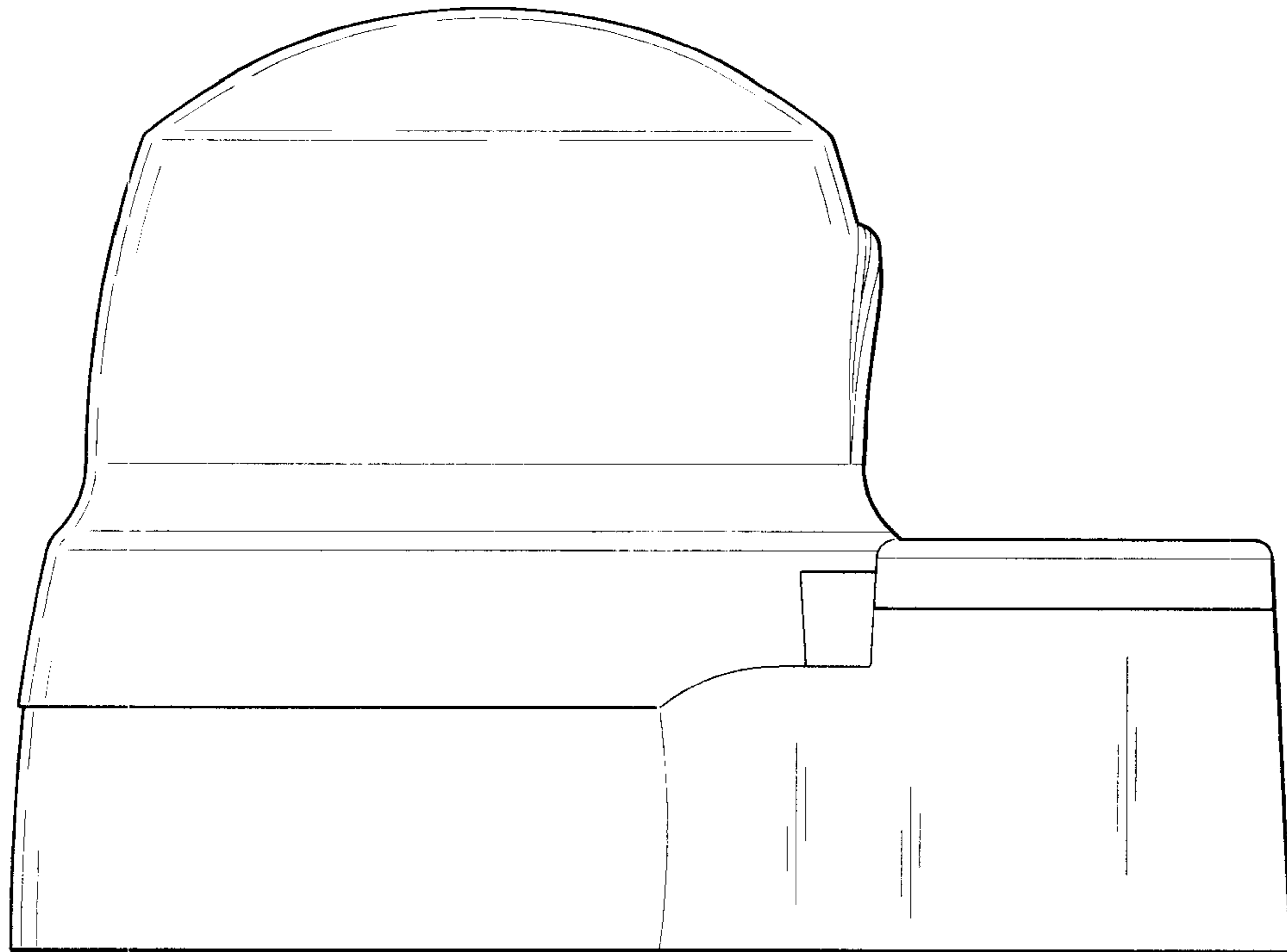


FIG. 5

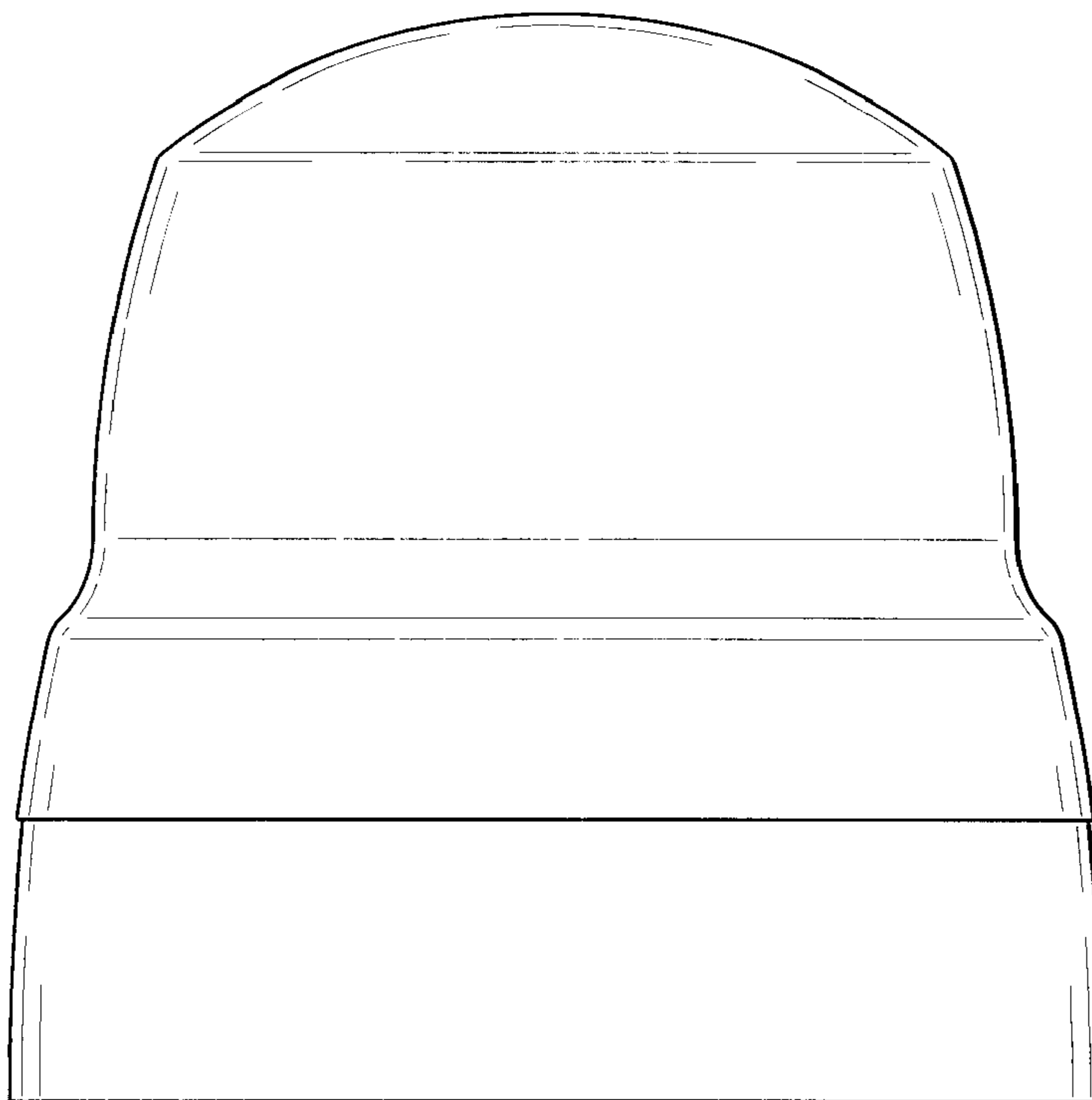


FIG. 6