



US00D524491S

(12) **United States Design Patent**  
**Baehrle et al.**

(10) **Patent No.:** **US D524,491 S**

(45) **Date of Patent:** **\*\* Jul. 4, 2006**

(54) **CAT DISH ENCLOSURE**

(76) Inventors: **Leanne Baehrle**, C/O Vetchek Inco,  
110 George Street, Hamilton, Ontario  
(CA), L8P 1E2; **Robert C. Challe**, C/O  
Vetchek, Inc., 110 George Street,  
Hamilton, Ontario (CA), L8P 1E2

(\*\*) **Term:** **14 Years**

(21) **Appl. No.:** **29/225,896**

(22) **Filed:** **Mar. 22, 2005**

(51) **LOC (8) Cl.** ..... **30-03**

(52) **U.S. Cl.** ..... **D30/133**

(58) **Field of Classification Search** ..... D30/129-133,  
D30/121, 199; 119/61.5, 311, 51.01, 61.54,  
119/59, 63, 51.12, 52.3-52.4, 61.1, 61.3,  
119/72, 61.55-61.56; 600/22

See application file for complete search history.

(56) **References Cited**

**U.S. PATENT DOCUMENTS**

- 2,708,927 A \* 5/1955 Dixon et al. .... 600/22
- 2,845,896 A \* 8/1958 Copeland ..... 119/51.01
- D391,692 S \* 3/1998 Seier ..... D30/121
- 5,957,830 A \* 9/1999 Skulic ..... 600/22

- D425,262 S \* 5/2000 Scott et al. .... D30/130
- 2002/0147381 A1 \* 10/2002 Kolarovic ..... 600/22

\* cited by examiner

*Primary Examiner*—Alan P. Douglas

*Assistant Examiner*—Susan Moon Lee

(74) *Attorney, Agent, or Firm*—Cowan Liebowitz &  
Latman, P.C.; Mark Montague

(57) **CLAIM**

The ornamental design for a cat dish enclosure, as shown  
and described.

**DESCRIPTION**

FIG. 1 is a perspective view of the cat dish enclosure of the  
present invention;

FIG. 2 is a front elevational view of the cat dish enclosure;

FIG. 3 is a rear elevational view of the cat dish enclosure;

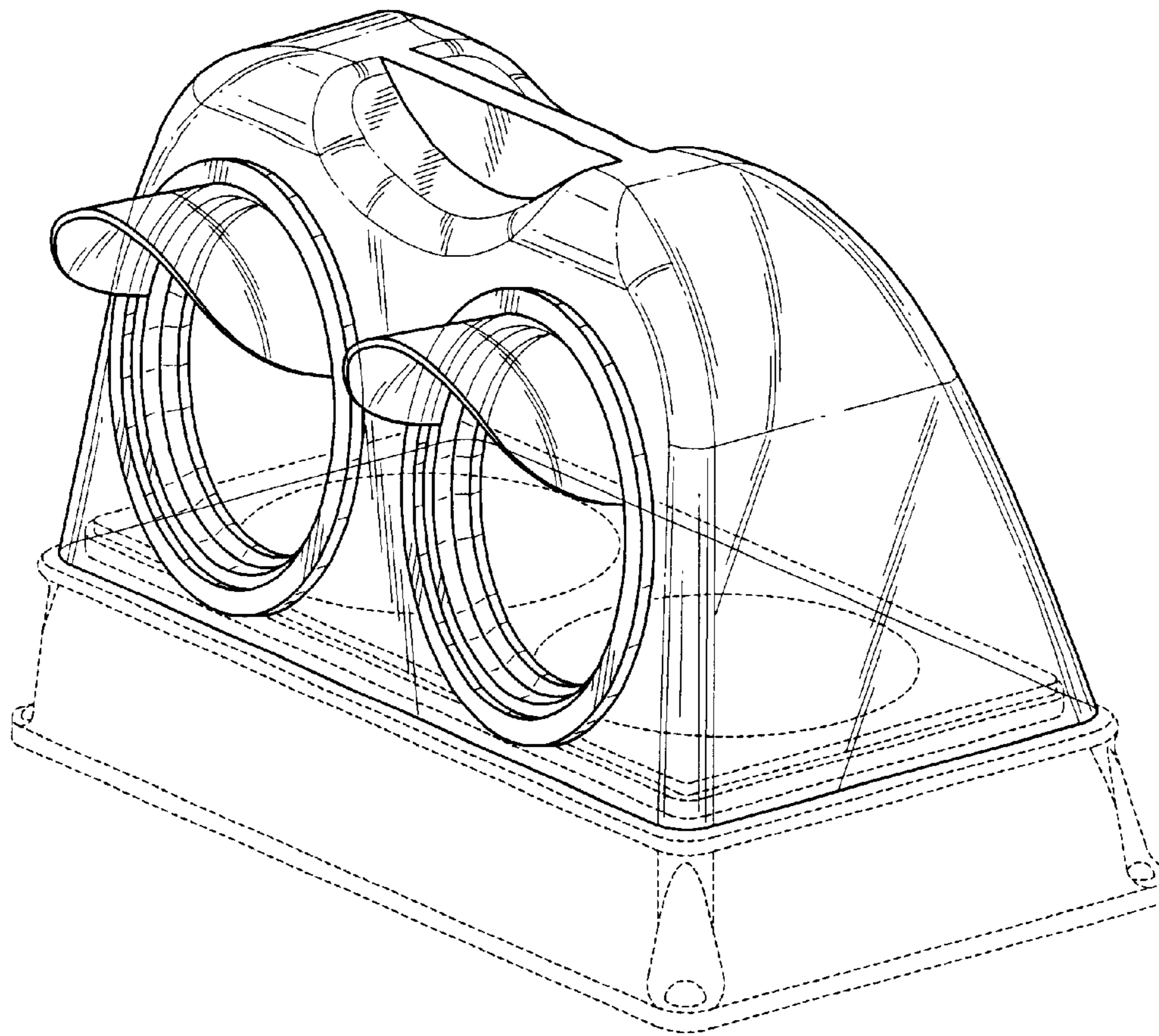
FIG. 4 is a right side elevational view of the cat dish  
enclosure;

FIG. 5 is a left side elevational view of the cat dish  
enclosure; and,

FIG. 6 is a top plan view of the cat dish enclosure.

The broken lines are for purposes of illustration only and  
form no part of the claimed design.

**1 Claim, 3 Drawing Sheets**



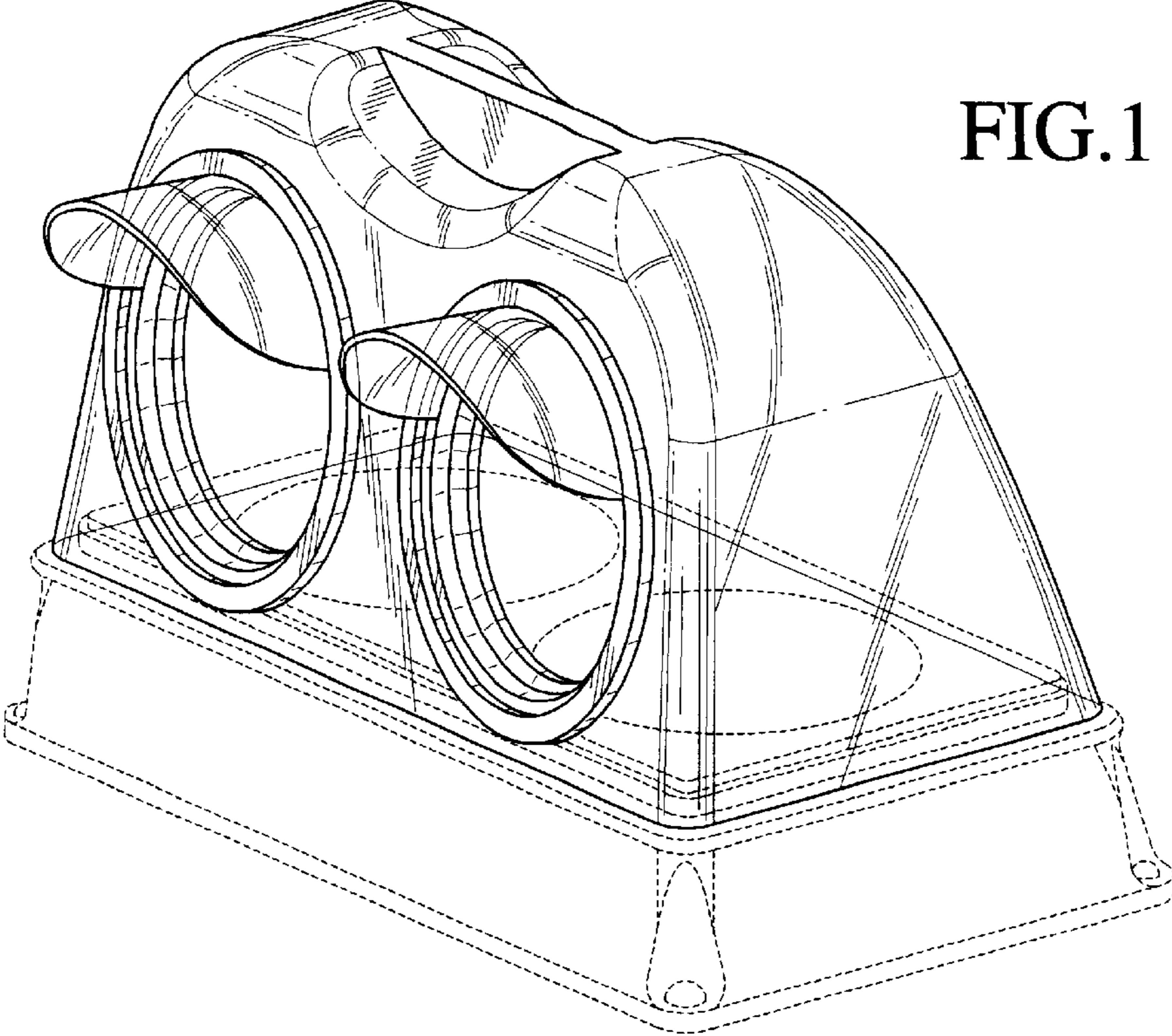


FIG. 1

FIG. 2

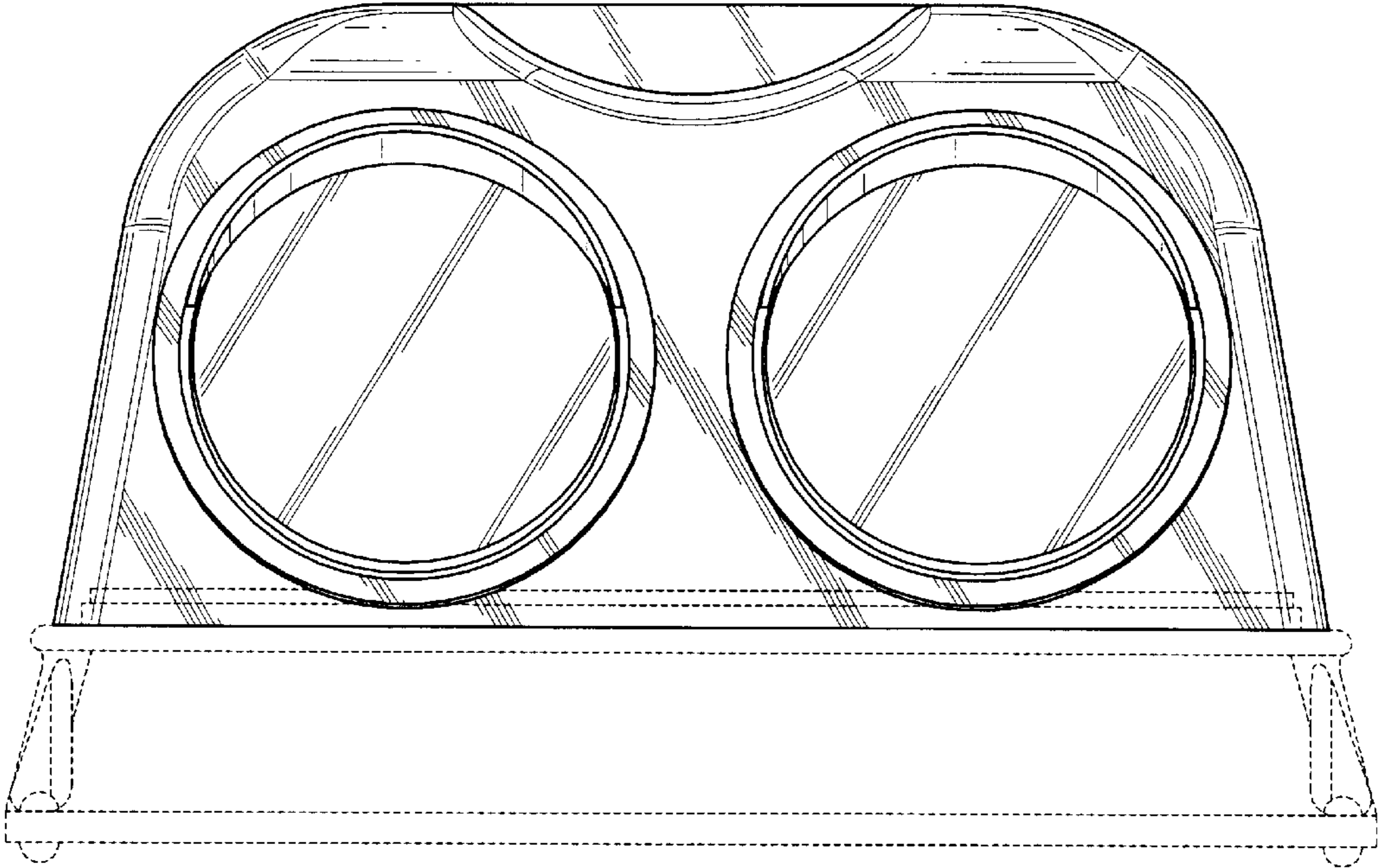




FIG.3

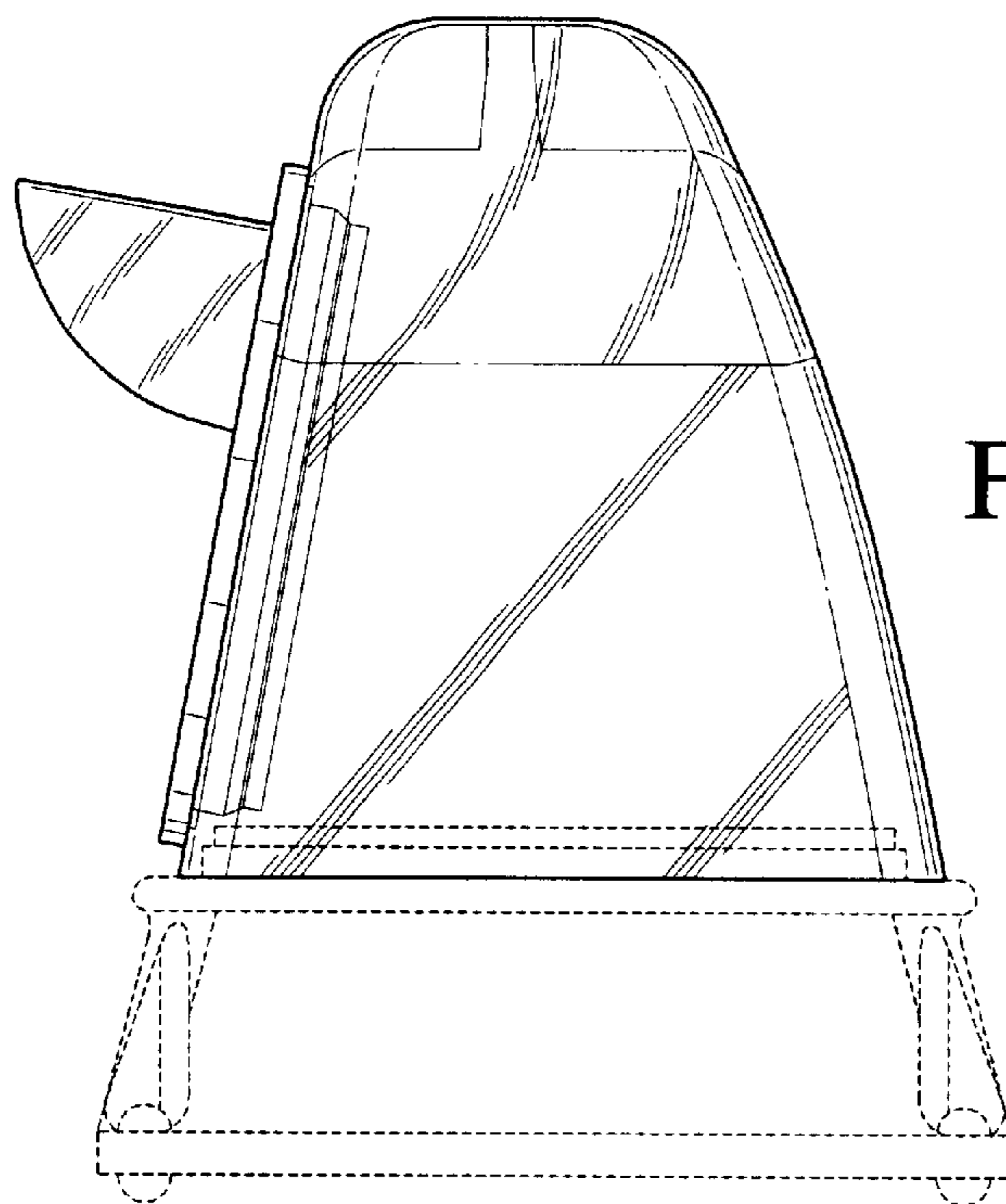
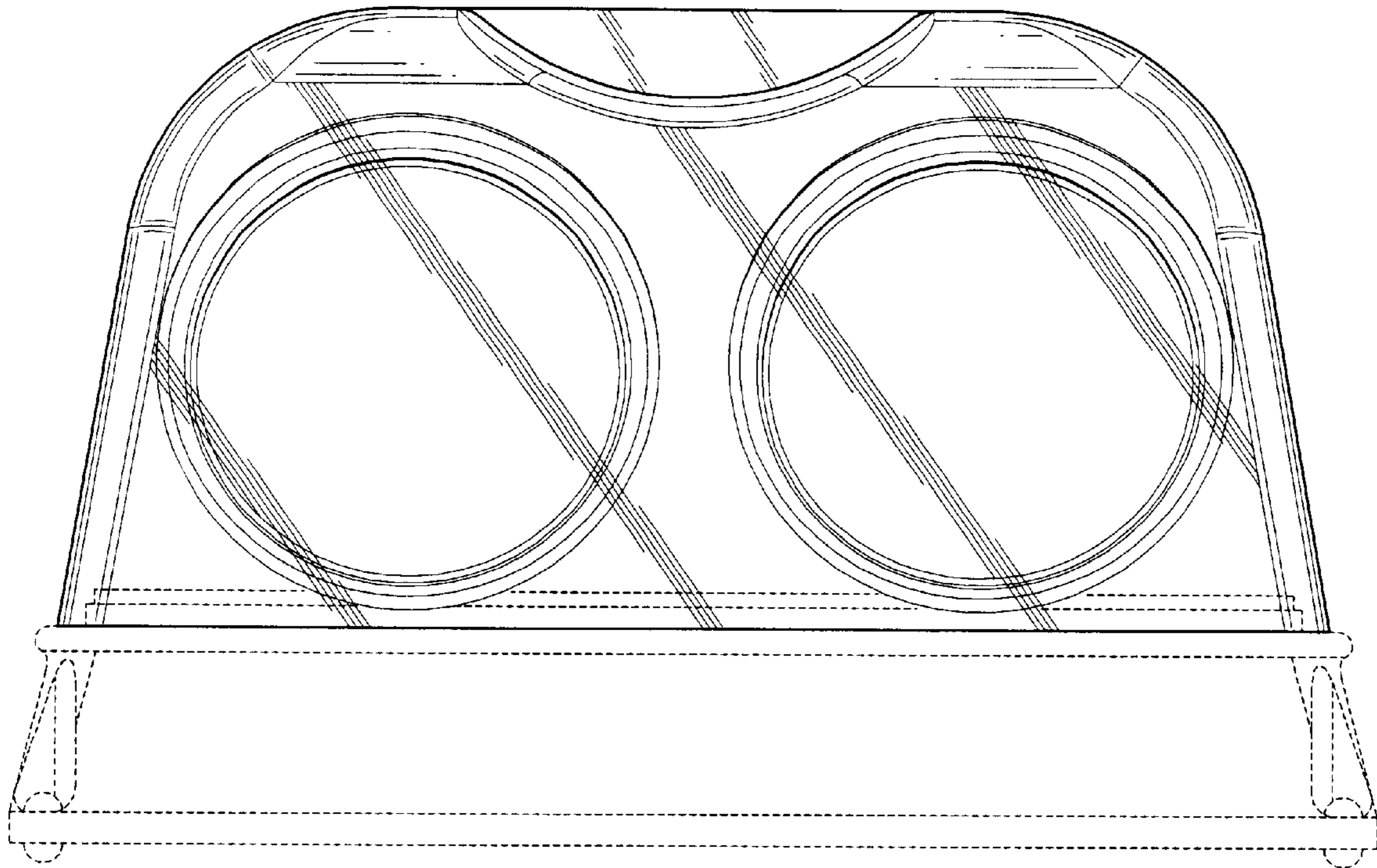


FIG.4

FIG.5

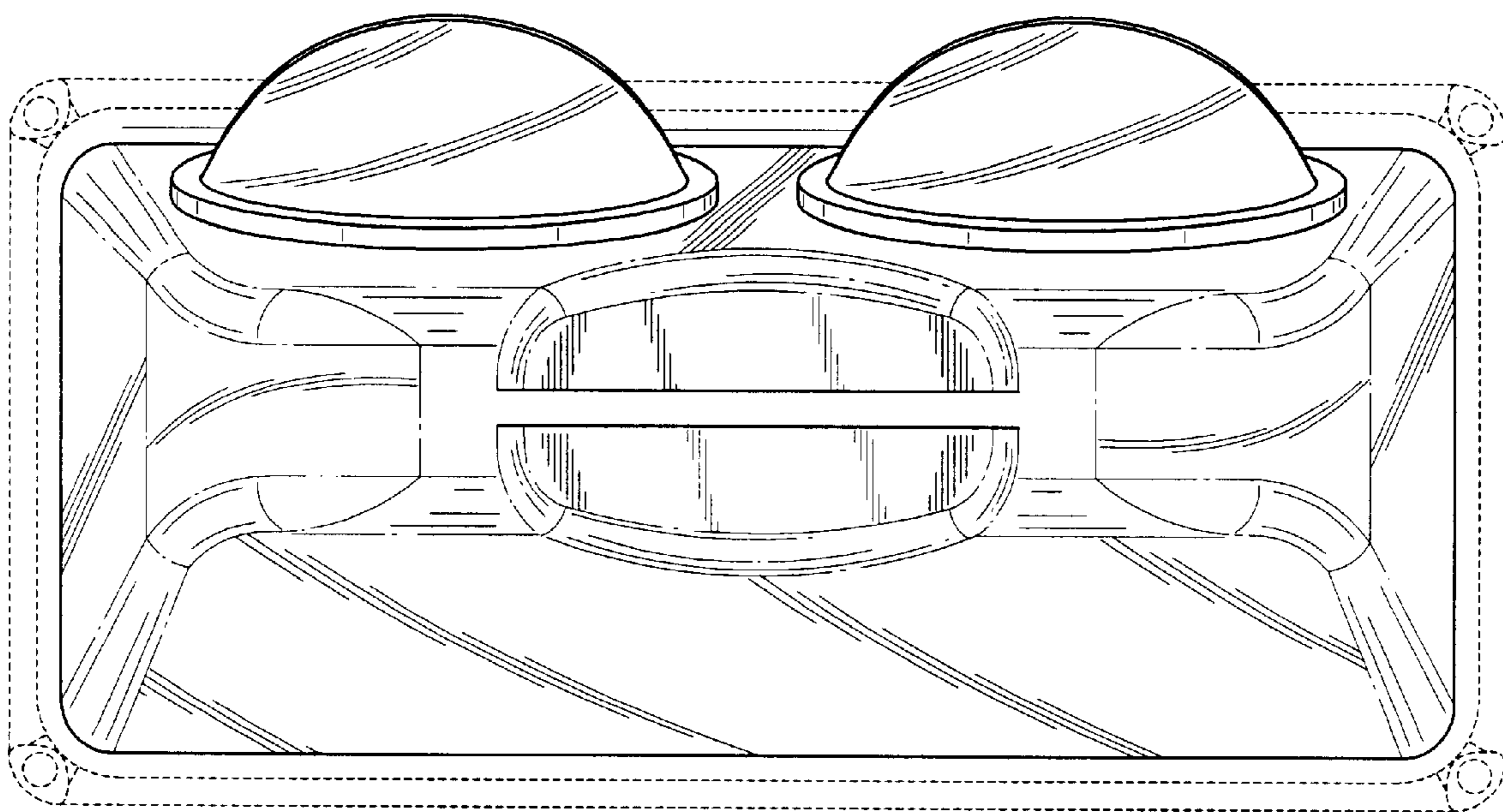
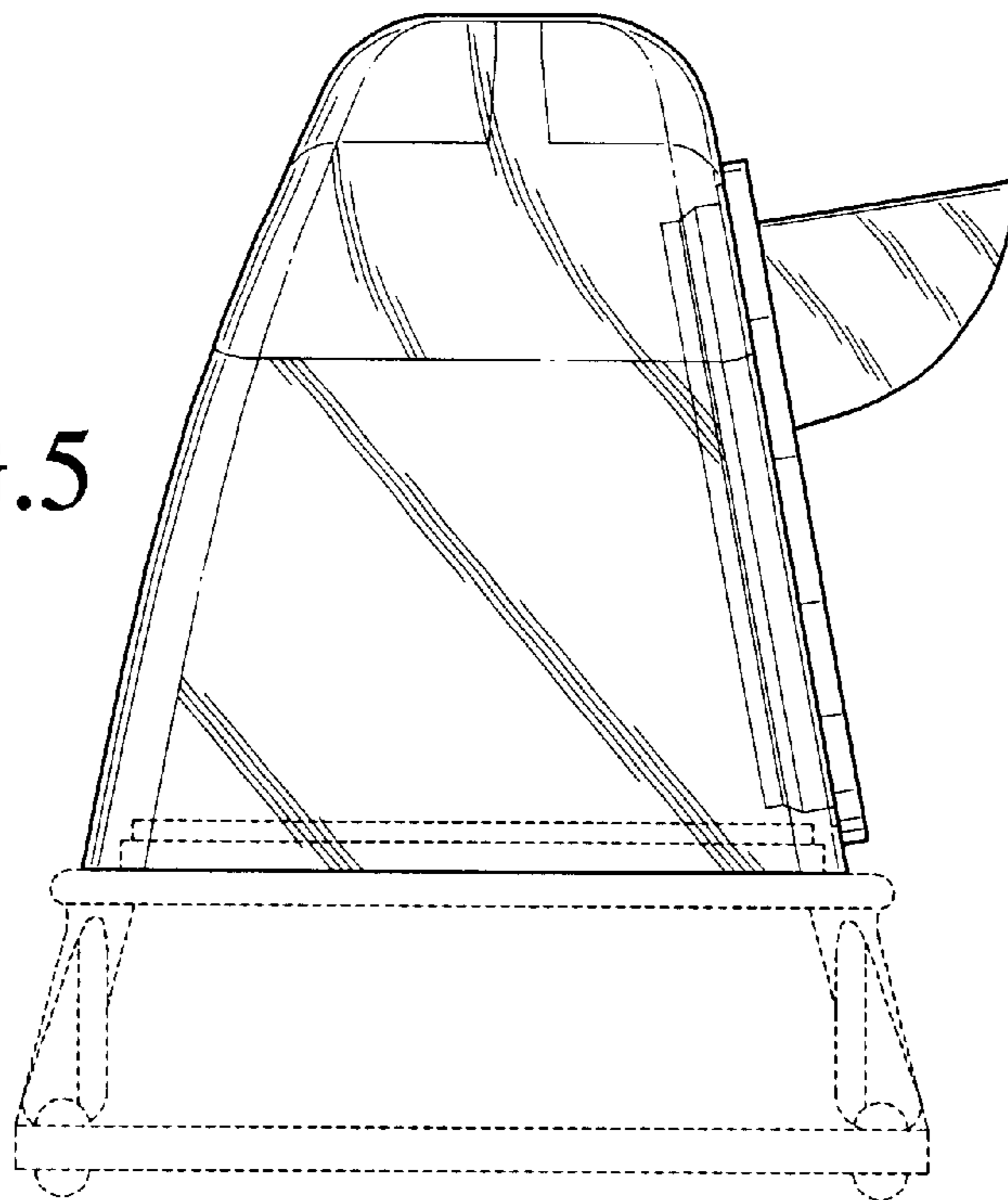


FIG.6