



US00D524490S

(12) **United States Design Patent**
Obenshain

(10) **Patent No.:** **US D524,490 S**
(45) **Date of Patent:** **** Jul. 4, 2006**

(54) **WINDOW BIRD FEEDER**

(75) Inventor: **James Roberts Obenshain**, Peebles,
OH (US)

(73) Assignee: **Cedar Works, LLC**, Peebles, OH (US)

(**) Term: **14 Years**

(21) Appl. No.: **29/224,275**

(22) Filed: **Mar. 1, 2005**

(51) **LOC (8) Cl.** **30-03**

(52) **U.S. Cl.** **D30/127**

(58) **Field of Classification Search** D30/121,
D30/124-128, 133; 119/51.01, 52.2-52.4,
119/57.8-57.9; D26/42

See application file for complete search history.

(56) **References Cited**

U.S. PATENT DOCUMENTS

3,244,150	A	*	4/1966	Blair	119/52.3
D285,840	S	*	9/1986	Poon	D26/42
4,664,066	A	*	5/1987	Steuernagel et al.	119/52.2
4,901,673	A	*	2/1990	Overstreet	119/77
D331,647	S	*	12/1992	Embree	D30/124
5,191,857	A	*	3/1993	Boaz	119/52.3
D347,714	S	*	6/1994	Maple et al.	D30/128
5,682,835	A	*	11/1997	Walter et al.	119/57.8
5,947,054	A	*	9/1999	Liethen	119/57.9

D417,528	S	*	12/1999	Rizzo	D30/121
D454,669	S	*	3/2002	Lieb	D30/125
D483,529	S	*	12/2003	Fort, II	D30/124

* cited by examiner

Primary Examiner—Alan P. Douglas

Assistant Examiner—Susan Moon Lee

(74) *Attorney, Agent, or Firm*—Neal O. Willmann

(57) **CLAIM**

The ornamental design for a window bird feeder, as shown and described.

DESCRIPTION

FIG. 1 is an elevated perspective view of the feeder with attachment means in phantom;

FIG. 2 is an elevated frontal view thereof with attachment means in phantom;

FIG. 3 is an elevated rear view thereof with attachment means in phantom;

FIG. 4 is a top plan view thereof;

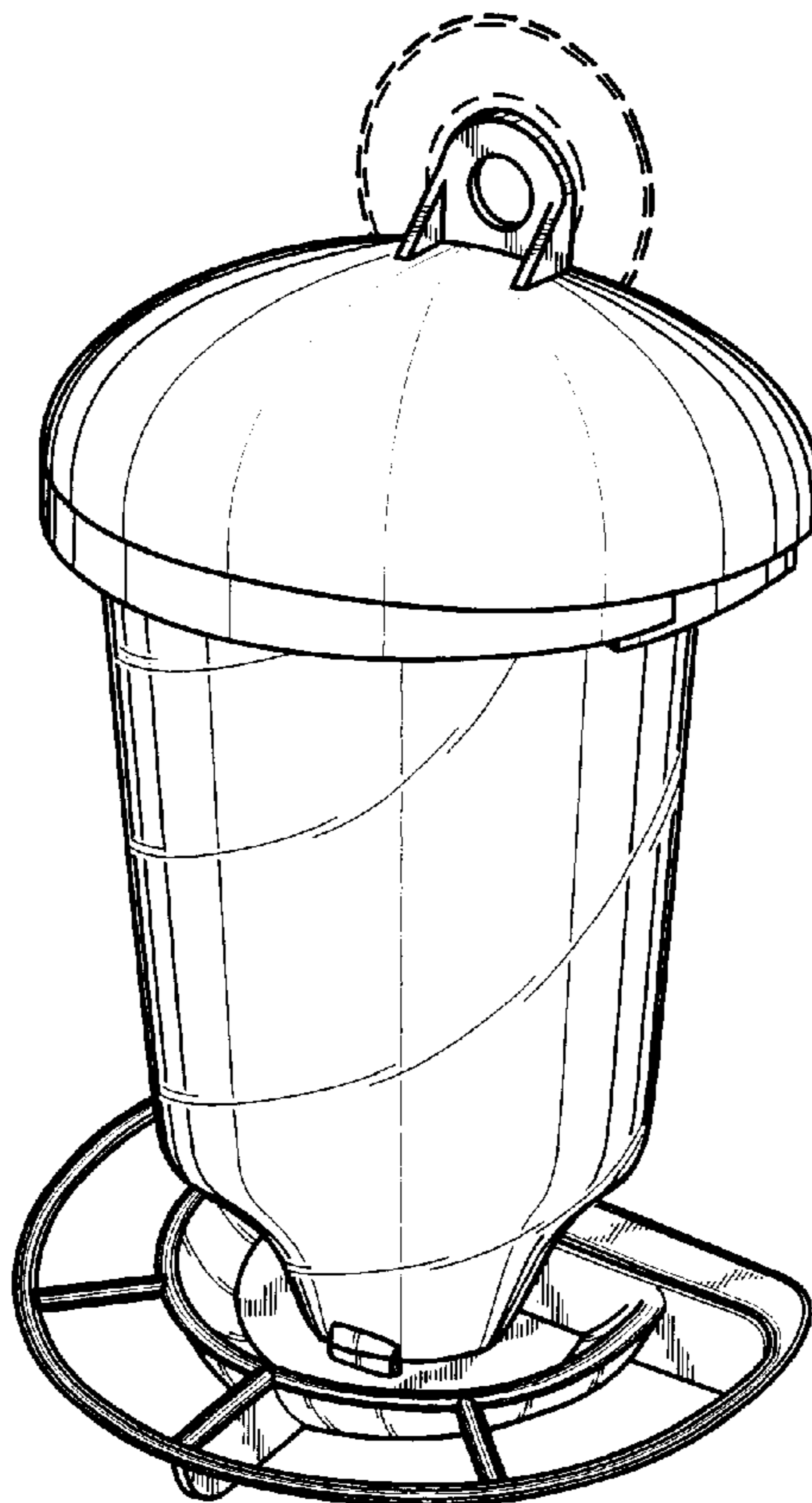
FIG. 5 is a bottom plan view thereof;

FIG. 6 is an elevated left-side view thereof; and,

FIG. 7 is an elevated right-side view thereof, establishing that both sides of said feeder are essentially identical.

The portions rendered in phantom lines are for illustrative purposes only and form no part of the claimed design.

1 Claim, 2 Drawing Sheets



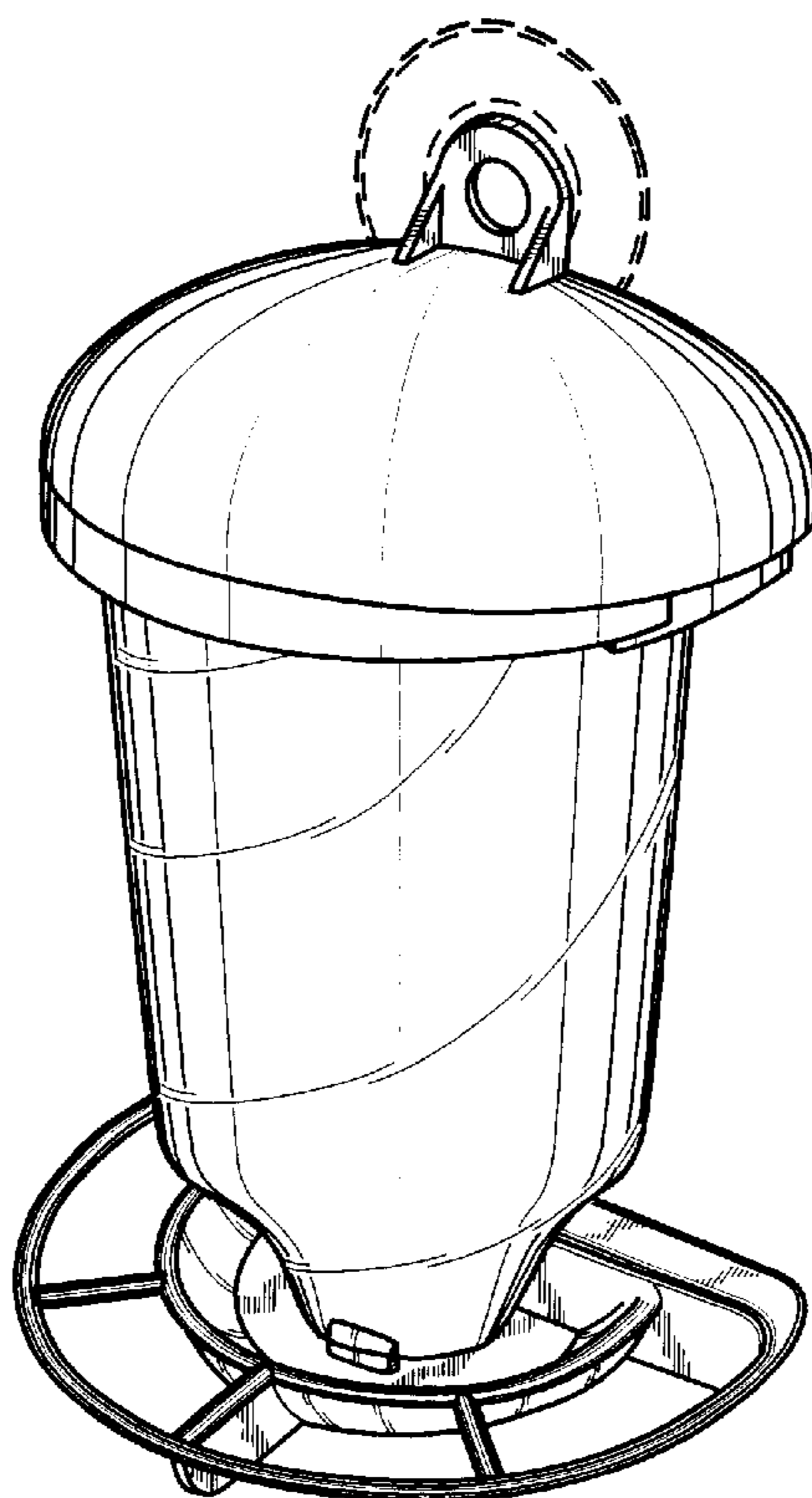


FIG. 1

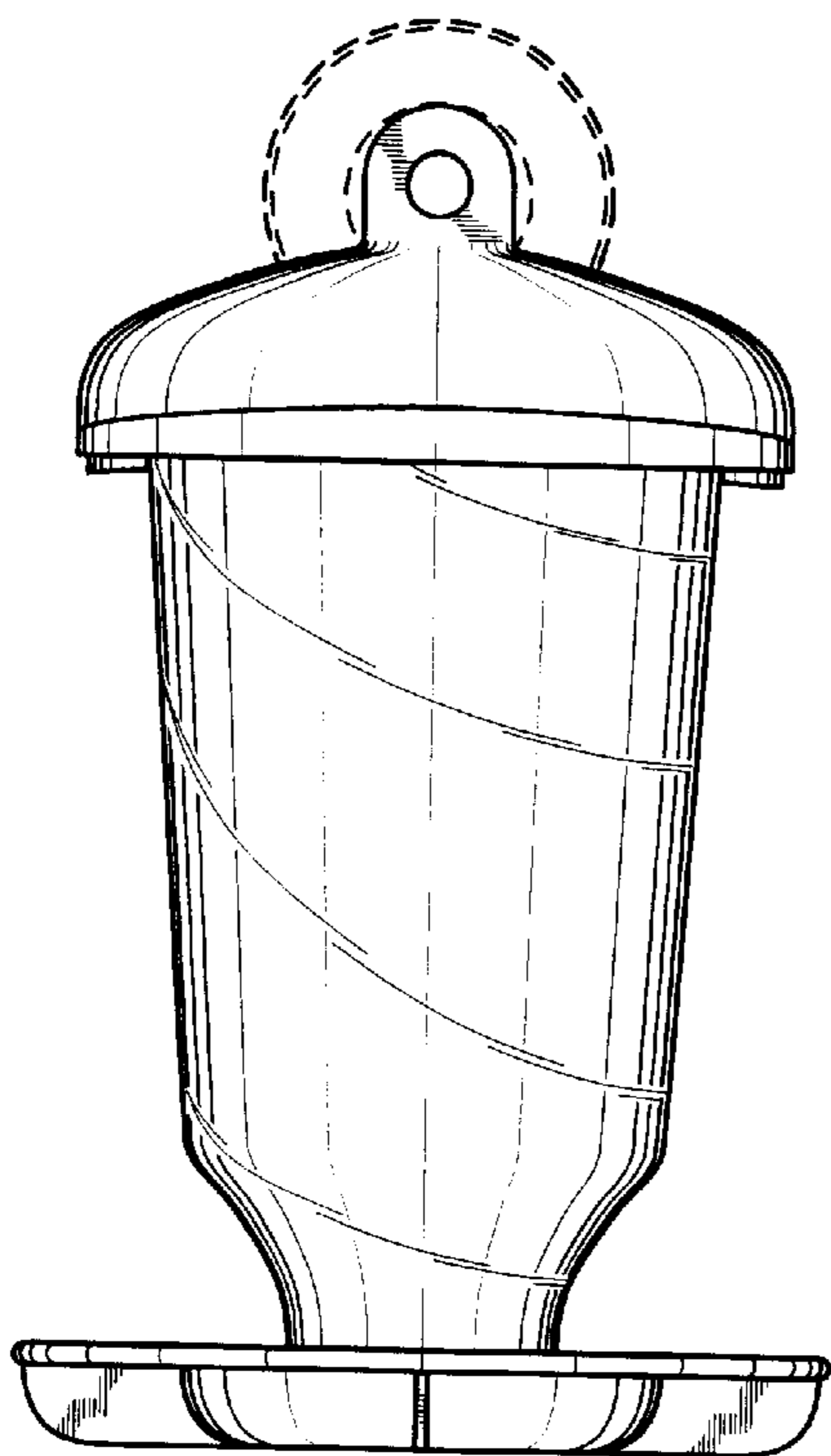


FIG. 2

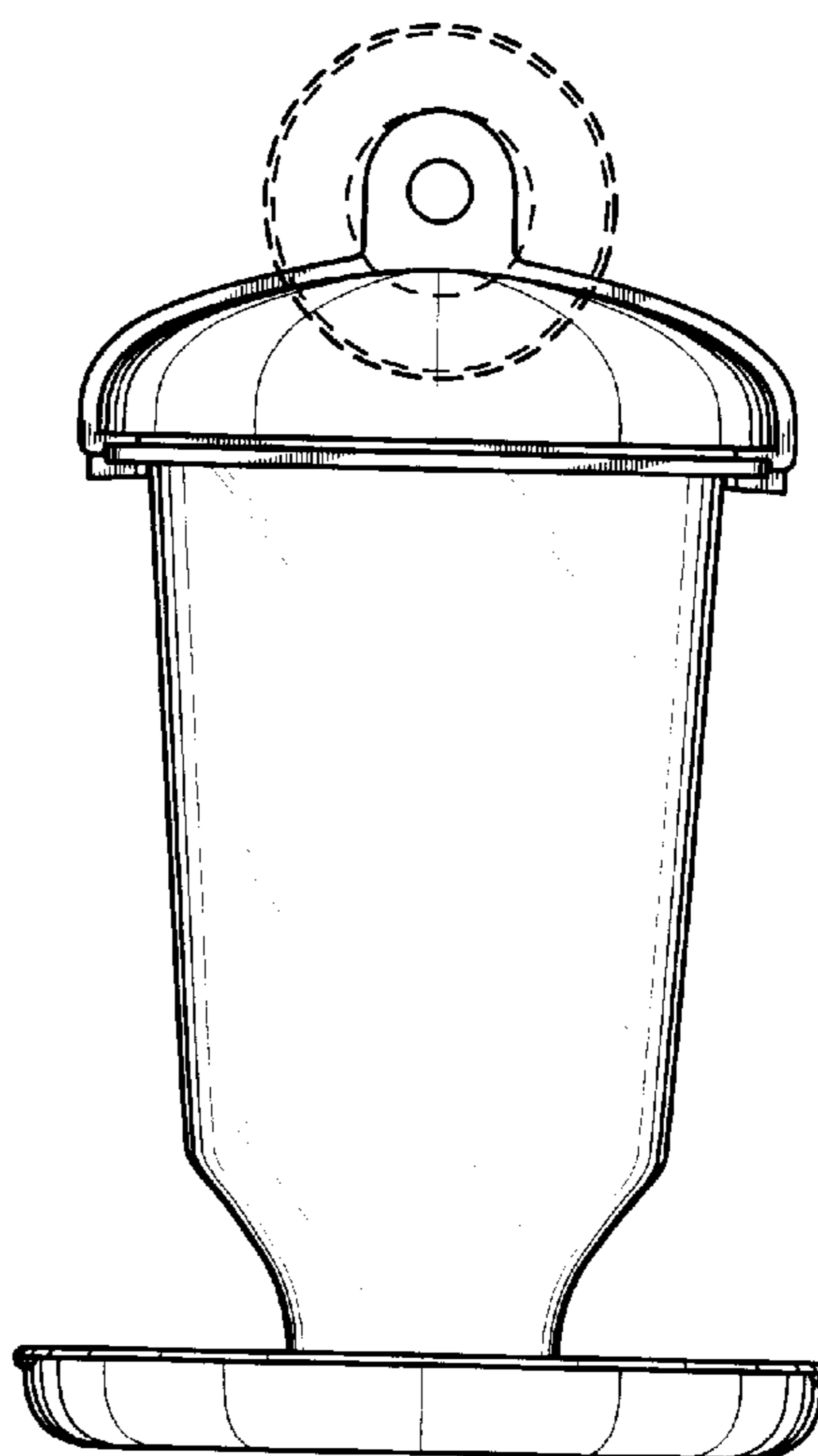


FIG. 3

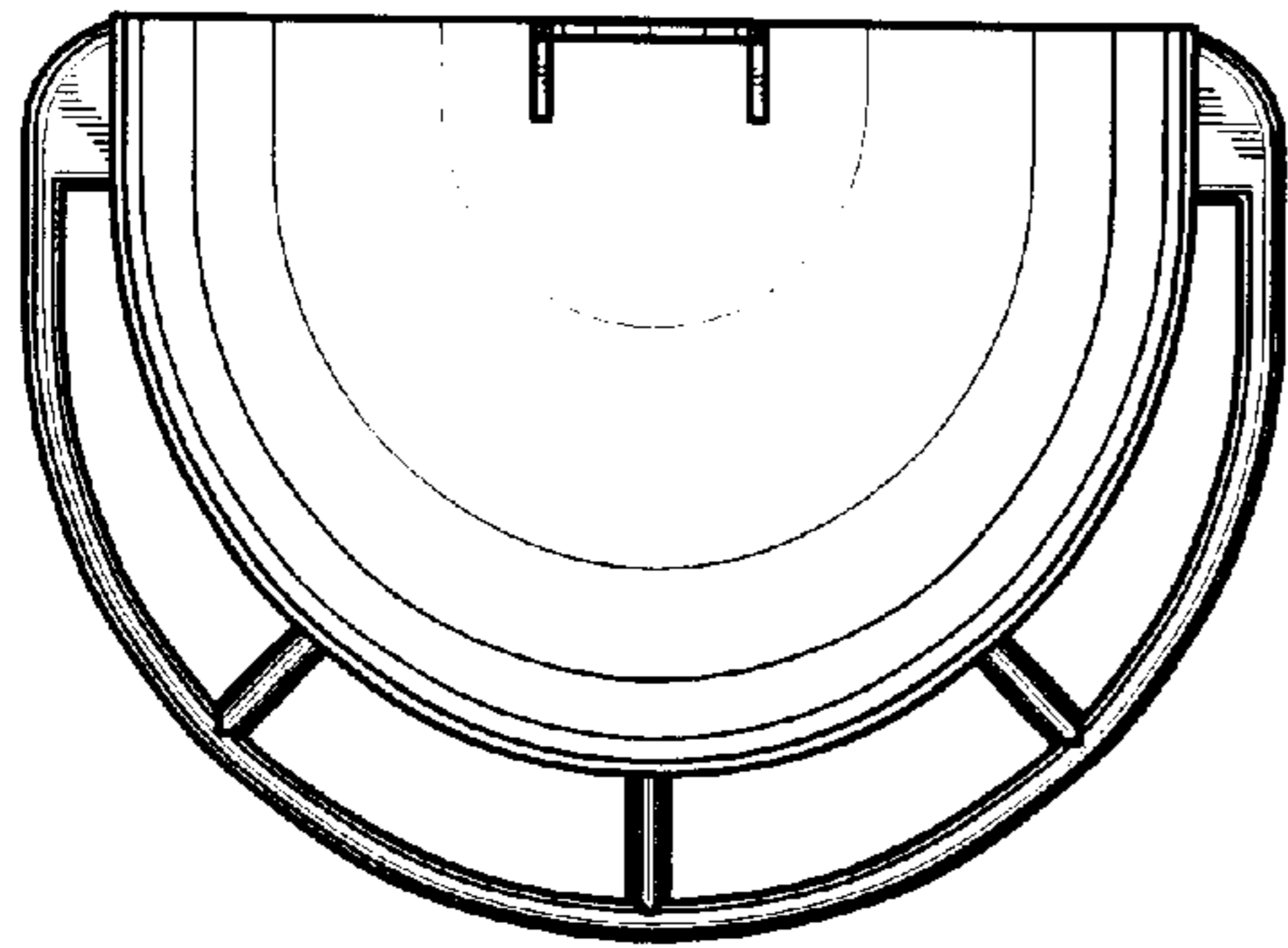


FIG. 4

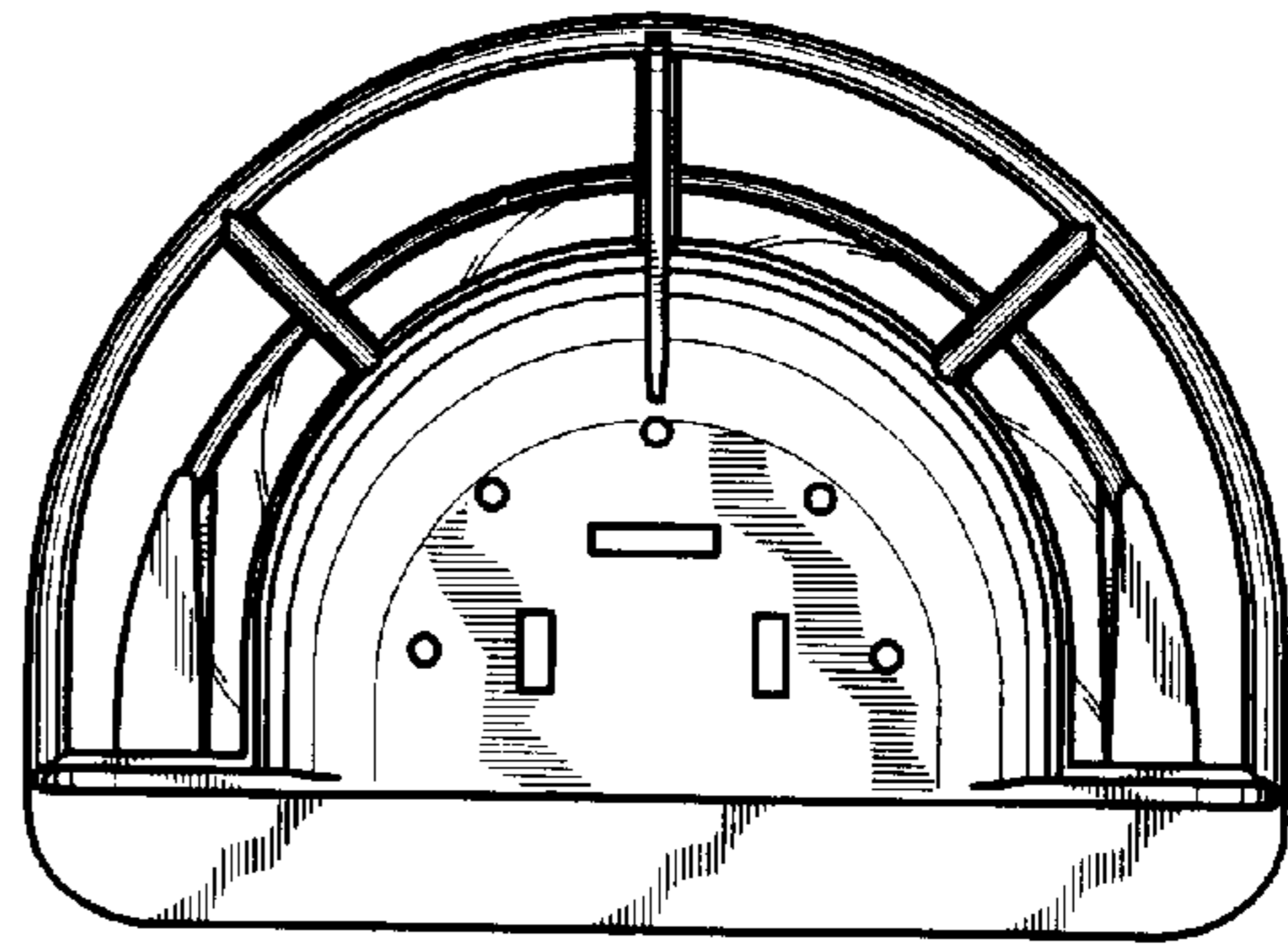


FIG. 5

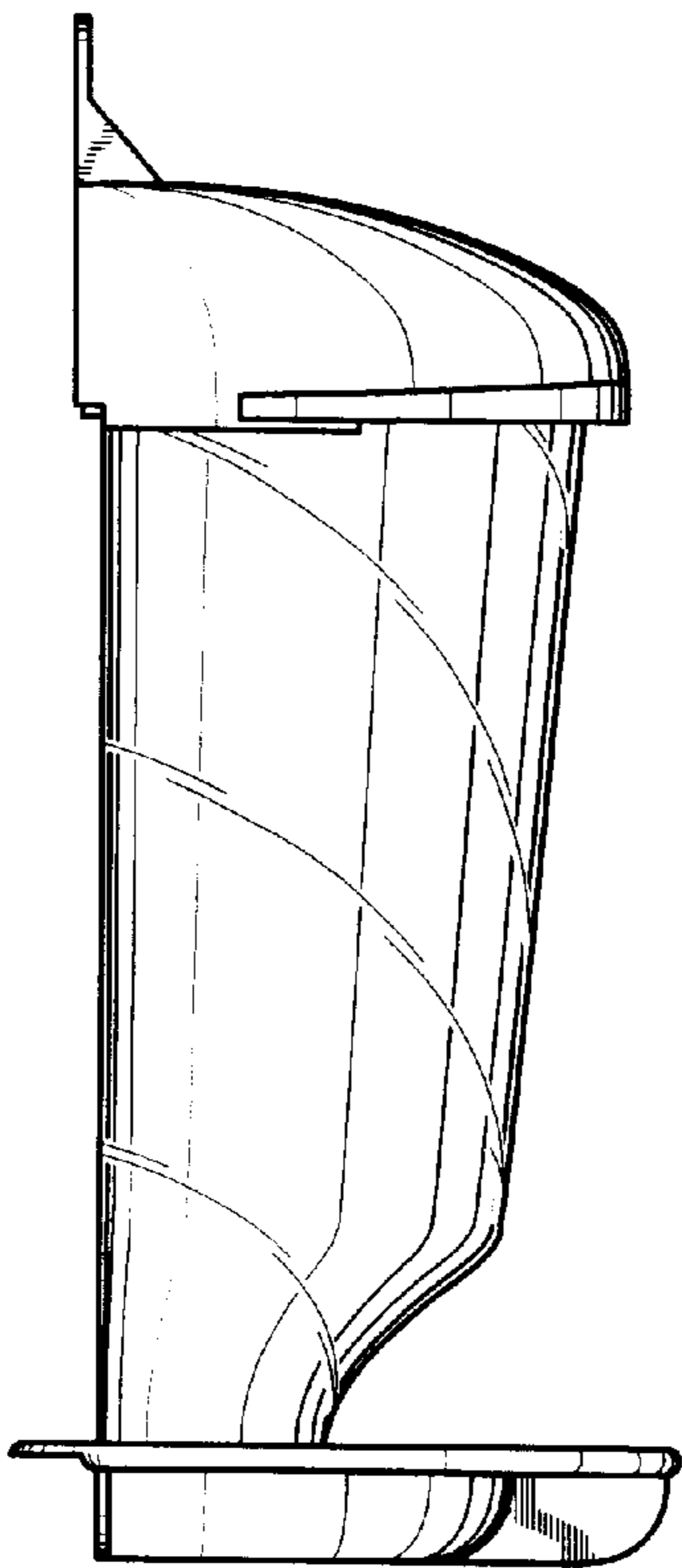


FIG. 6

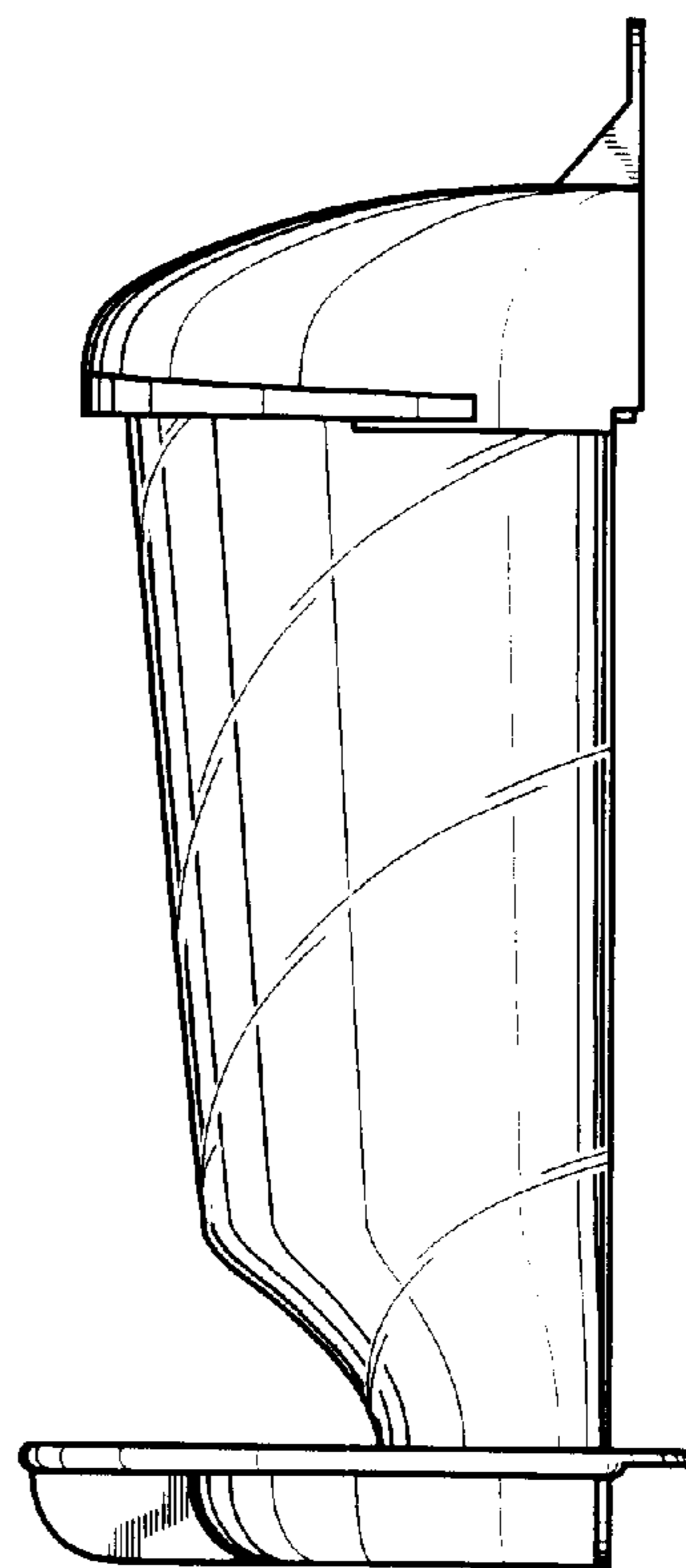


FIG. 7