



US00D524488S

(12) **United States Design Patent**
Bouix et al.

(10) **Patent No.:** **US D524,488 S**
(45) **Date of Patent:** **** Jul. 4, 2006**

(54) **MULTI-FUNCTIONAL COSMETIC COMPACT**
(75) Inventors: **Herve F. Bouix**, New York, NY (US);
Anne T. Carullo, New York, NY (US)
(73) Assignee: **E-L Management Corp.**, New York, NY (US)
(**) Term: **14 Years**

5,337,890 A 8/1994 Lai
5,715,848 A 2/1998 Conley, Jr.
5,881,742 A 3/1999 Hunsberger
5,941,254 A 8/1999 Heler
D440,709 S 4/2001 An
6,398,027 B1 6/2002 Ryu
6,450,179 B1 * 9/2002 Bengis 132/297
6,883,990 B1 * 4/2005 Shih 401/127
2003/0062060 A1 * 4/2003 Burroughs 132/297

(21) Appl. No.: **29/218,007**
(22) Filed: **Nov. 24, 2004**
(51) **LOC (8) Cl.** **28-03**
(52) **U.S. Cl.** **D28/76**
(58) **Field of Classification Search** D28/76,
D28/77, 85, 88, 89; D9/503, 504, 529; 401/127,
401/129; 132/216, 218, 297, 314, 318
See application file for complete search history.

FOREIGN PATENT DOCUMENTS

FR 2630896 A2 11/1989

* cited by examiner

Primary Examiner—Jennifer Rivard

(74) *Attorney, Agent, or Firm*—Martin W. Haerter

(57) **CLAIM**

What is claimed is the ornamental design for a multi-functional cosmetic compact, as shown and described.

DESCRIPTION

FIG. 1 is a bottom, front and left side perspective view of the new design for a multi-functional cosmetic compact;
FIG. 2 is a left side elevation view of the compact as shown in FIG. 1, a right side elevation view being a mirror image thereof;
FIG. 3 is a front elevation view of the compact, a rear elevation view being a mirror image thereof;
FIG. 4 is a top plan view of the compact; and
FIG. 5 is a bottom plan view of the compact.

(56) **References Cited**
U.S. PATENT DOCUMENTS

2,458,063 A 1/1949 Dulberg
2,590,329 A 3/1952 Kromray
2,829,655 A 4/1958 Bau
2,902,041 A 9/1959 Bau
D254,151 S * 2/1980 Wolff D28/77
D277,324 S * 1/1985 Davey D28/77
4,526,273 A 7/1985 Tsuji et al.
D301,771 S 6/1989 Bakic
5,056,179 A 10/1991 Capponi

1 Claim, 1 Drawing Sheet

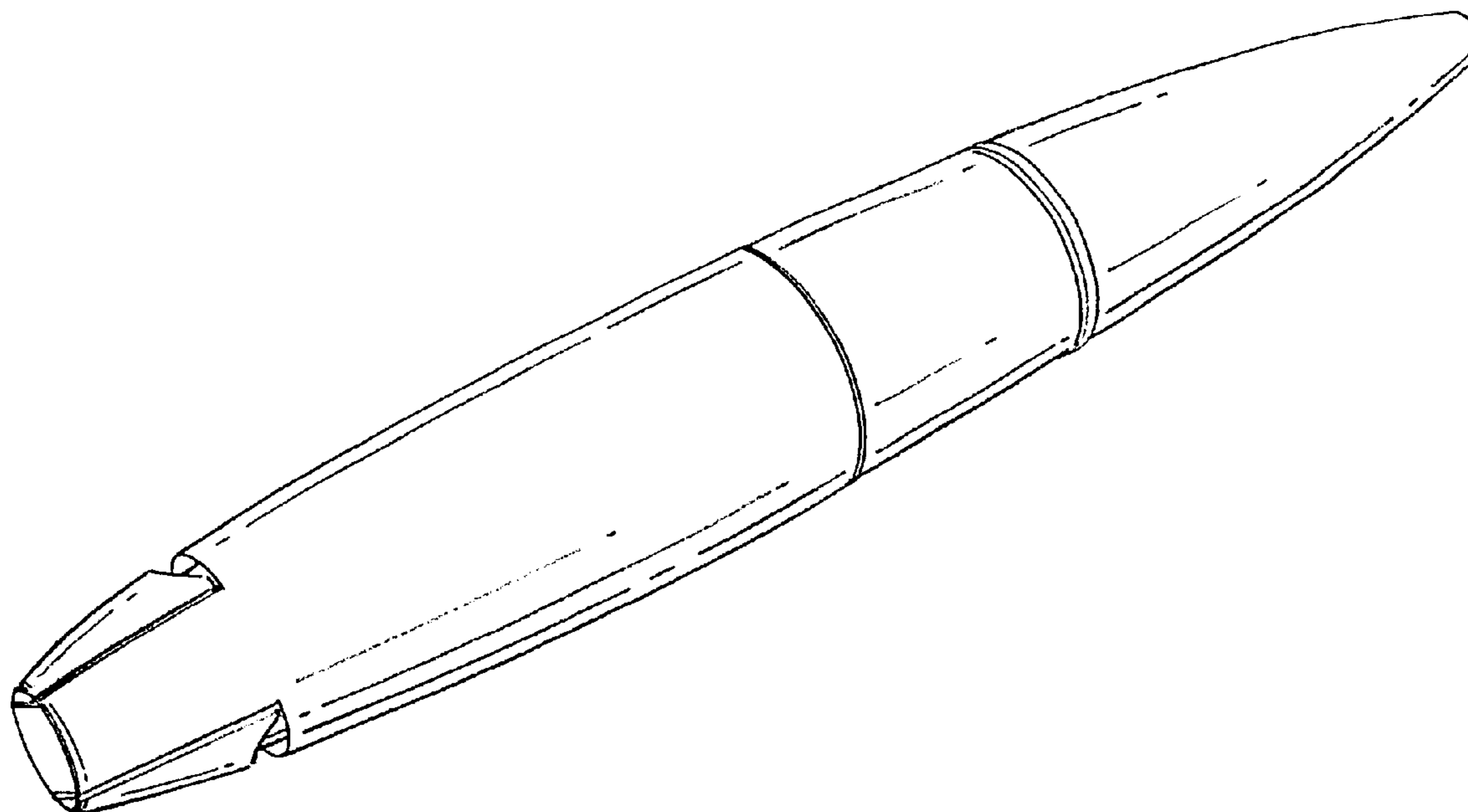


Fig. 1

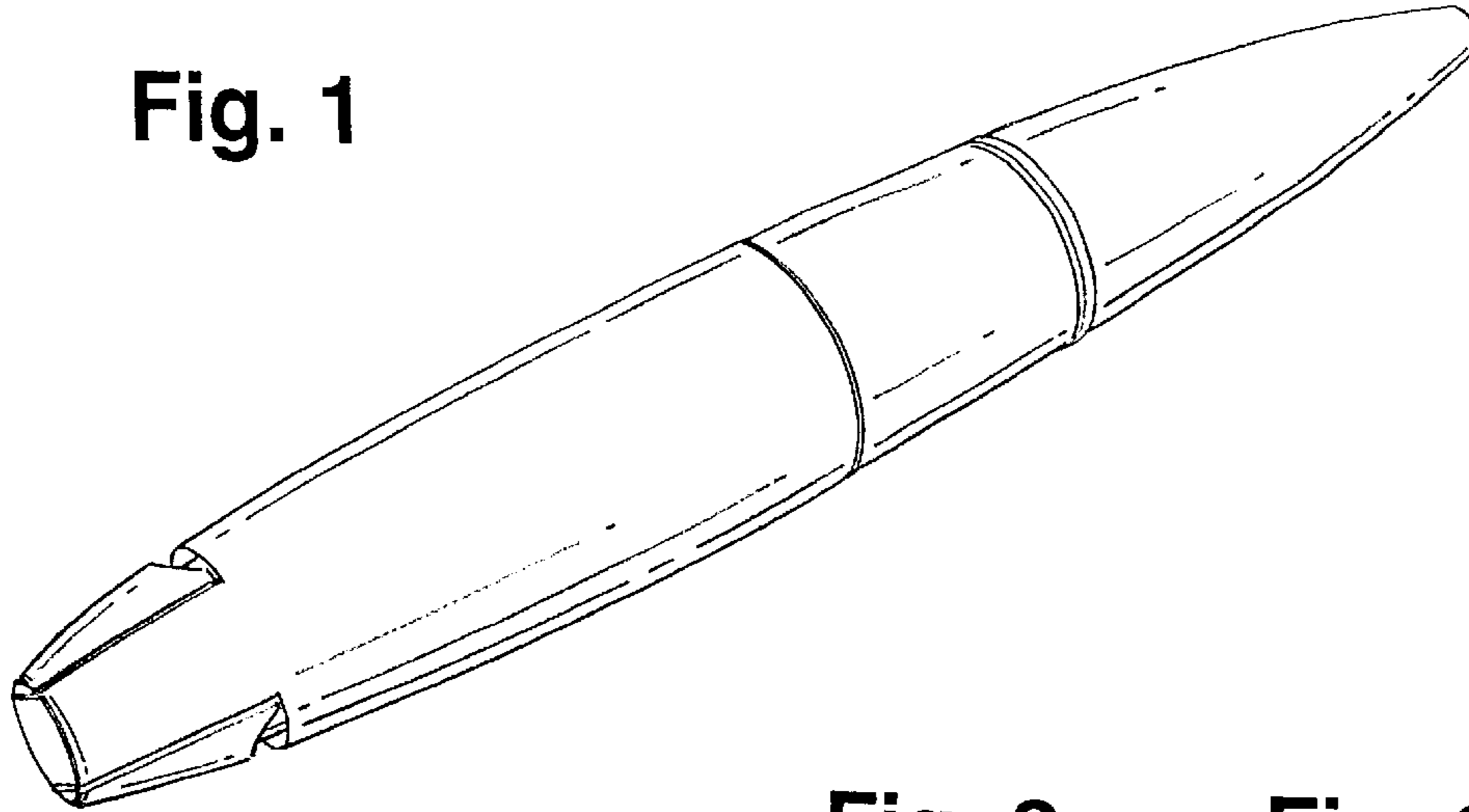


Fig. 2

Fig. 3

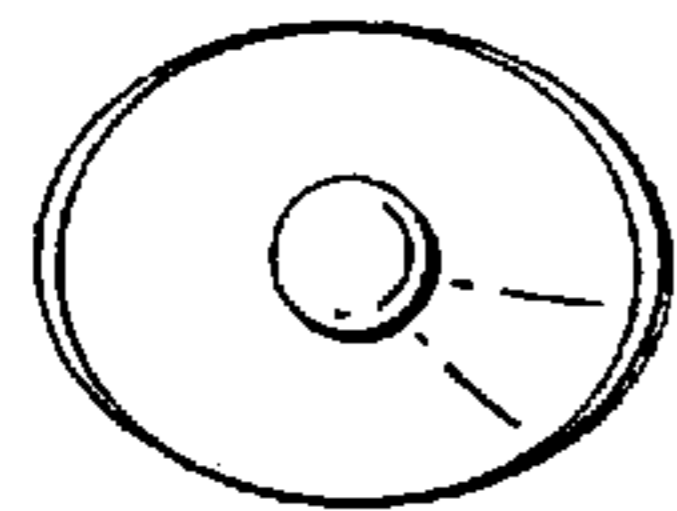
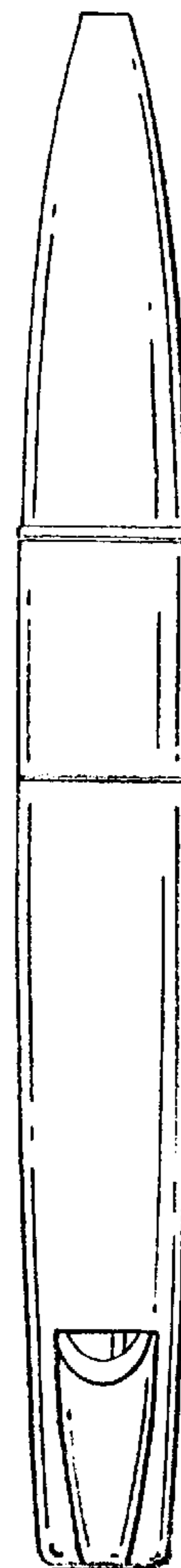
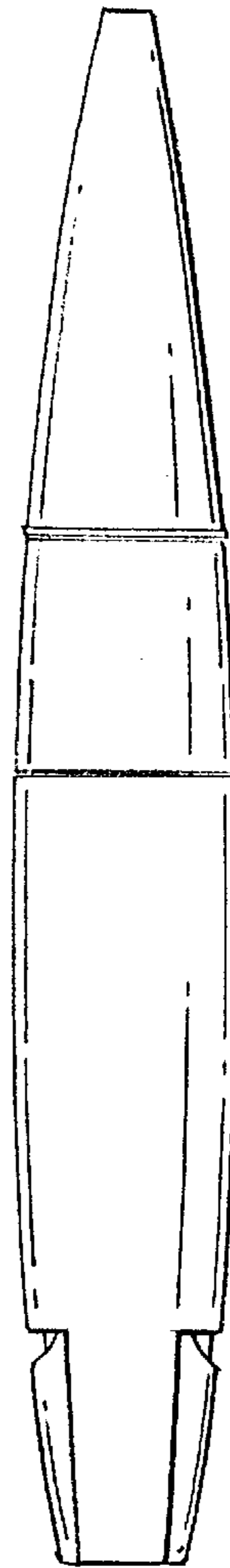


Fig. 4

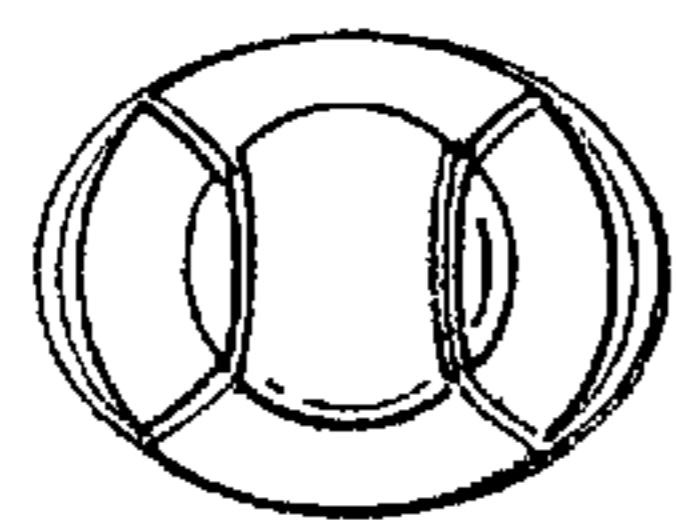


Fig. 5