

US00D524481S

(12) **United States Design Patent**
Allen, Sr.

(10) **Patent No.:** **US D524,481 S**

(45) **Date of Patent:** **** Jul. 4, 2006**

(54) **CONTOUR BEARD RAZOR STYLIST**

(76) **Inventor:** **Richard G. Allen, Sr.**, 1601 Skipjack Dr., Fort Washington, MD (US) 20744

(**) **Term:** **14 Years**

(21) **Appl. No.:** **29/234,769**

(22) **Filed:** **Jul. 22, 2005**

(51) **LOC (8) Cl.** **28-03**

(52) **U.S. Cl.** **D28/44**

(58) **Field of Classification Search** D28/44,
D28/45-54; 30/30, 32, 50, 53-55, 82, 346.5,
30/229; 132/215

See application file for complete search history.

(56) **References Cited**

U.S. PATENT DOCUMENTS

4,285,124 A	8/1981	Diakonov	
4,961,262 A *	10/1990	Lawrence	30/32
5,009,003 A *	4/1991	Grange	30/30
5,127,121 A *	7/1992	Bossie	30/82
5,479,950 A	1/1996	Andrews	
5,673,711 A	10/1997	Andrews	

5,934,291 A 8/1999 Andrews

6,473,971 B1 11/2002 Ordaz

6,530,151 B1 * 3/2003 Kameka 30/49

2005/0022386 A1 * 2/2005 Macove 30/50

* cited by examiner

Primary Examiner—Jennifer Rivard

(74) *Attorney, Agent, or Firm*—Sturm & Fix LLP

(57) **CLAIM**

The ornamental design for a contour beard razor stylist, as shown and described.

DESCRIPTION

FIG. 1 is a perspective view of the contour beard razor stylist, showing my new design;

FIG. 2 is a top view thereof;

FIG. 3 is a side view, the side opposite of FIG. 3 being a mirror image thereof;

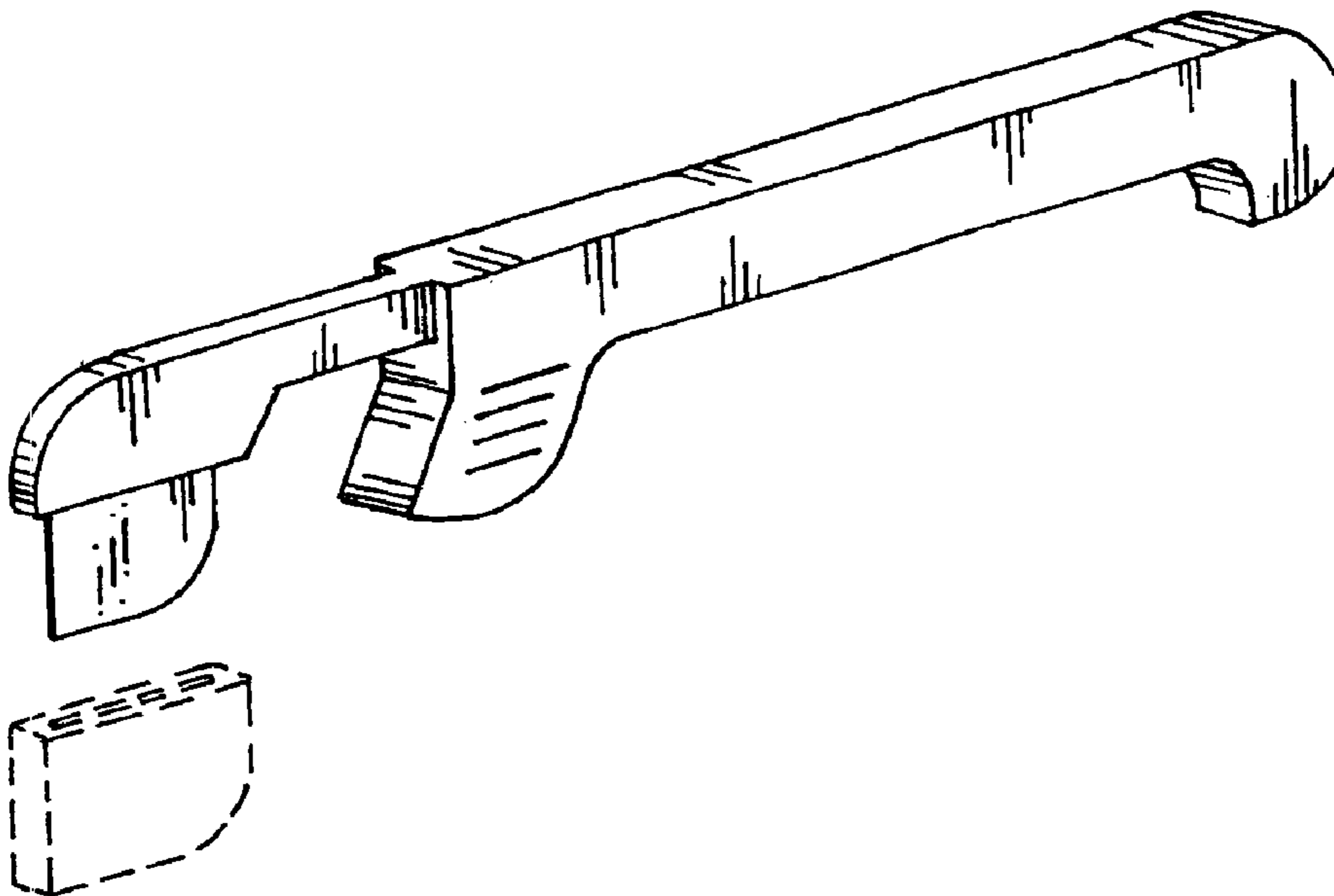
FIG. 4 is a bottom view plan view thereof;

FIG. 5 is a front end view thereof; and,

FIG. 6 is a rear end view thereof.

The broken lines are shown for illustrative purposes only and form no part of the claimed design.

1 Claim, 1 Drawing Sheet



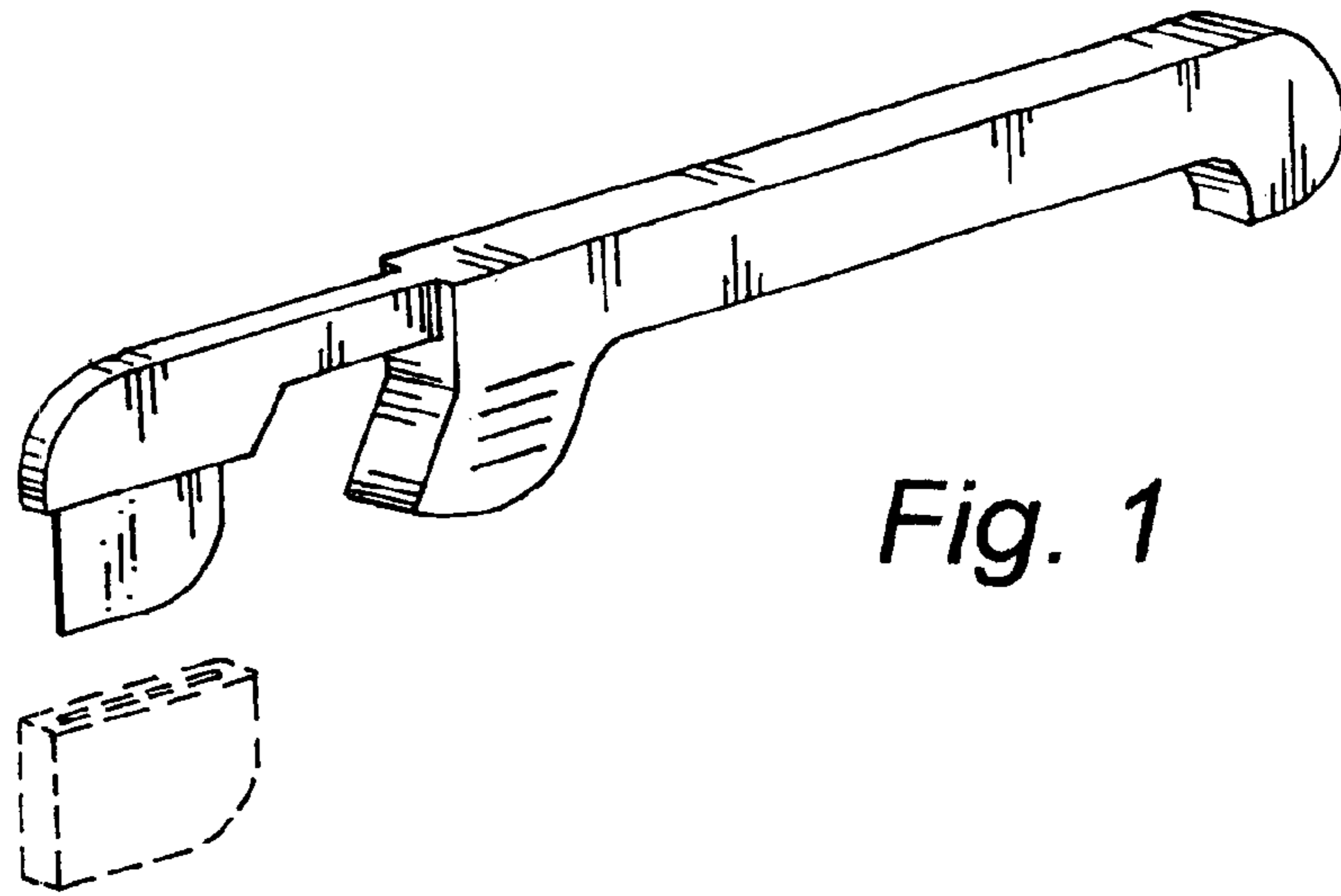


Fig. 1

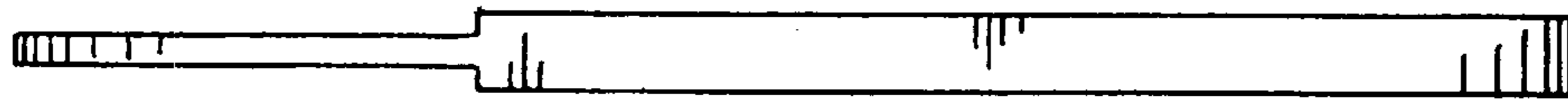


Fig. 2

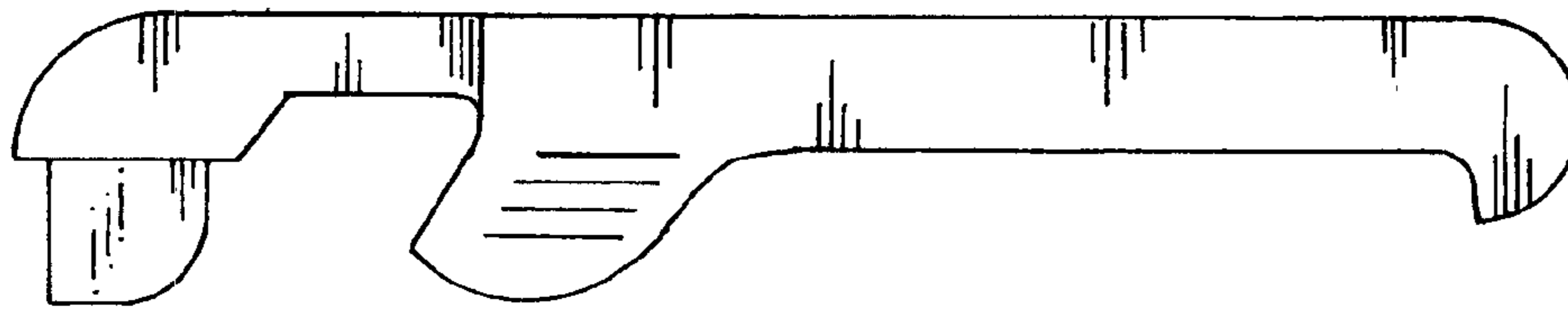


Fig. 3



Fig. 4

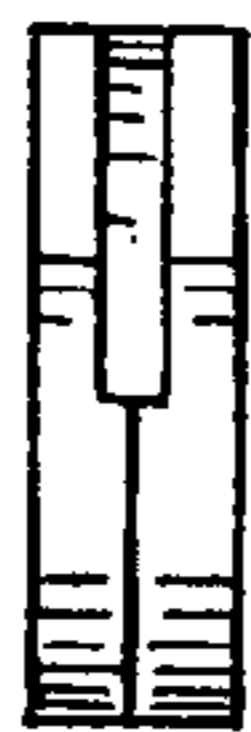


Fig. 5



Fig. 6