

US00D524480S

(12) **United States Design Patent**
Takeshita

(10) **Patent No.:** **US D524,480 S**

(45) **Date of Patent:** **** Jul. 4, 2006**

(54) **EYELASH CURLER**

(75) Inventor: **Takahiro Takeshita, Seki (JP)**

(73) Assignee: **Kai R&D Center Co., Ltd., Gifu (JP)**

(**) Term: **14 Years**

(21) Appl. No.: **29/209,315**

(22) Filed: **Jul. 14, 2004**

(30) **Foreign Application Priority Data**

Jan. 19, 2004 (JP) 2004-001116

(51) **LOC (8) Cl.** **28-03**

(52) **U.S. Cl.** **D28/36**

(58) **Field of Classification Search** D28/36;
132/216, 217

See application file for complete search history.

(56) **References Cited**

U.S. PATENT DOCUMENTS

5,685,324 A * 11/1997 Huang 132/217
D431,678 S * 10/2000 Suh D28/36
6,220,252 B1 * 4/2001 Heintz 132/217

D501,580 S * 2/2005 Sugawara D28/36
2003/0102005 A1 * 6/2003 Muraki et al. 132/217

* cited by examiner

Primary Examiner—Jennifer Rivard

(74) *Attorney, Agent, or Firm*—Koda & Androlia

(57) **CLAIM**

The ornamental design for an eyelash curler, as shown and described.

DESCRIPTION

FIG. 1 is a front elevational view of the eyelash curler showing my new design;

FIG. 2 is a rear elevational view thereof;

FIG. 3 is a right side elevational view thereof;

FIG. 4 is a left side elevational view thereof;

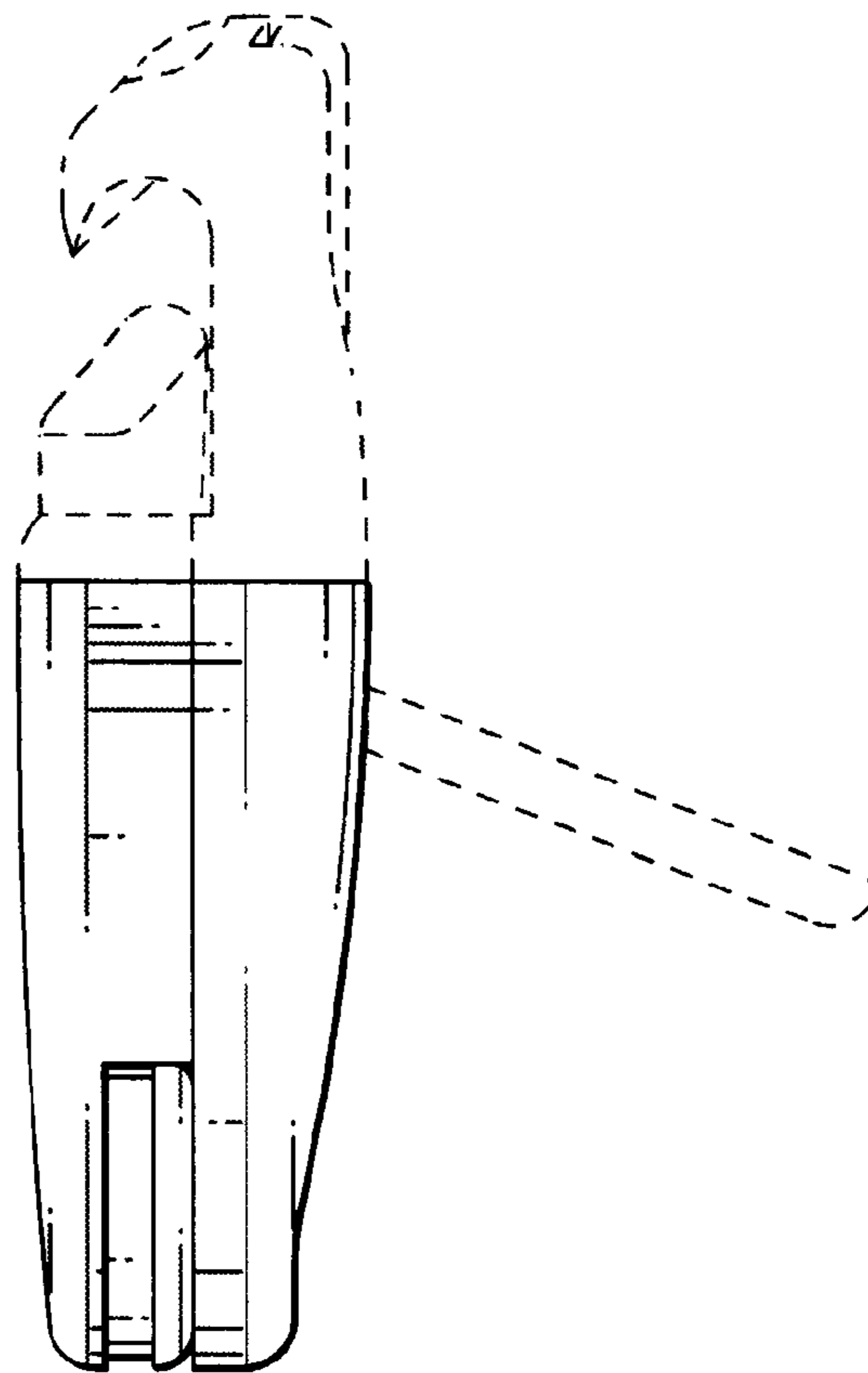
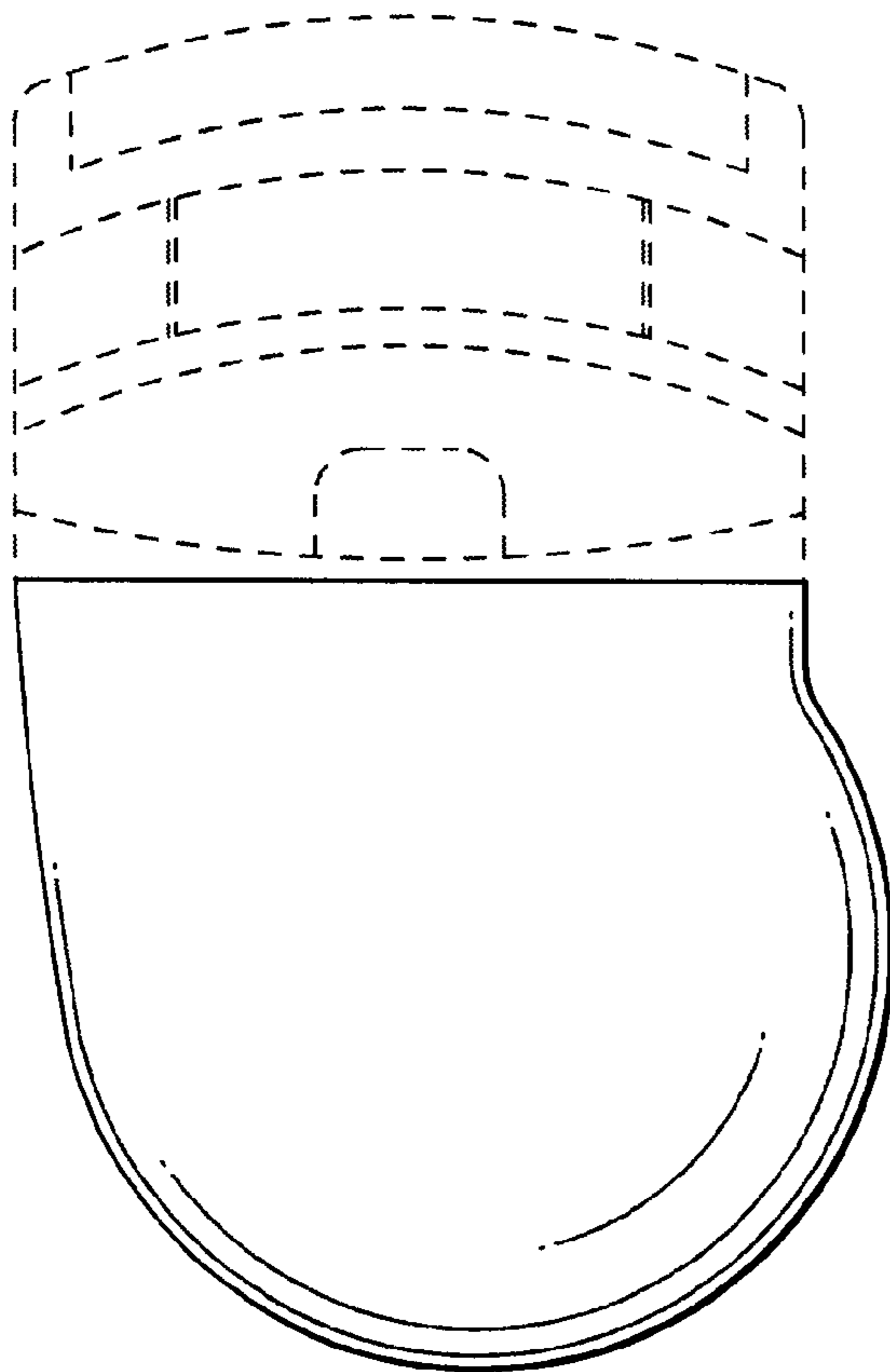
FIG. 5 is a top plan view thereof;

FIG. 6 is a bottom plan view thereof; and,

FIG. 7 is a right side elevational view of the eyelash curler with a handle raised.

The portion of the article depicted in broken lines is for illustrative purposes only and forms no part of the claimed design.

1 Claim, 4 Drawing Sheets



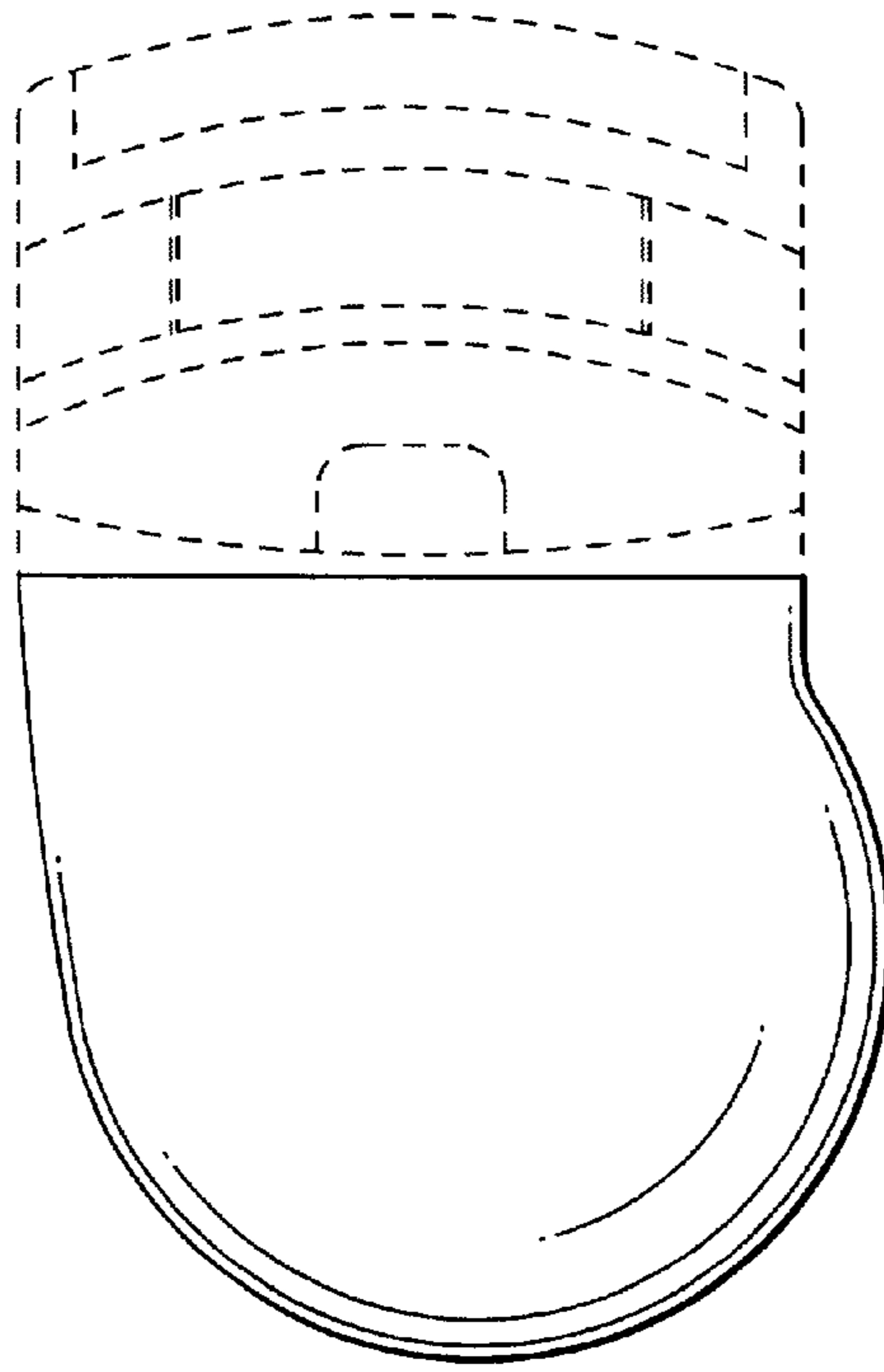


FIG. 1

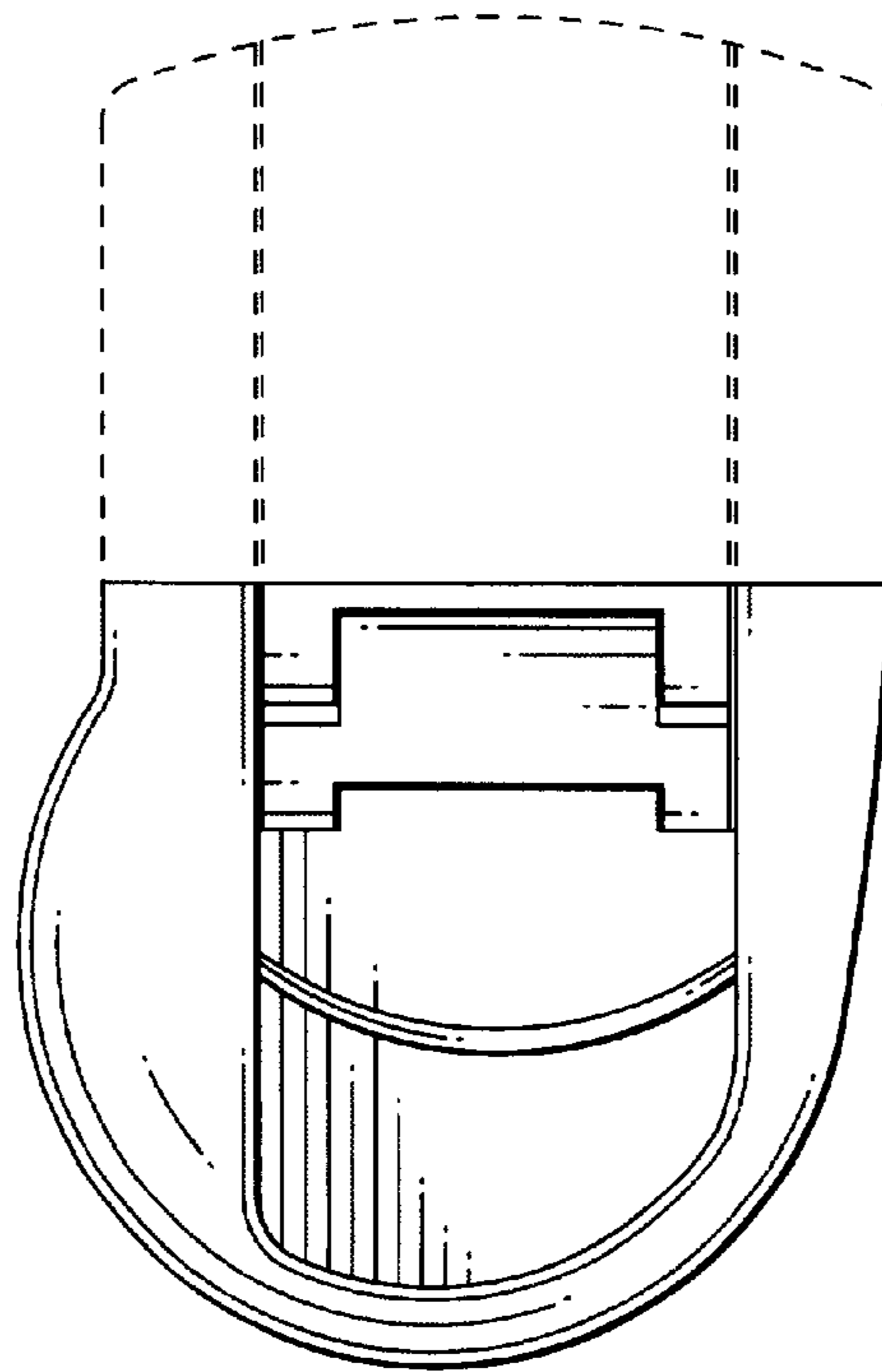


FIG. 2

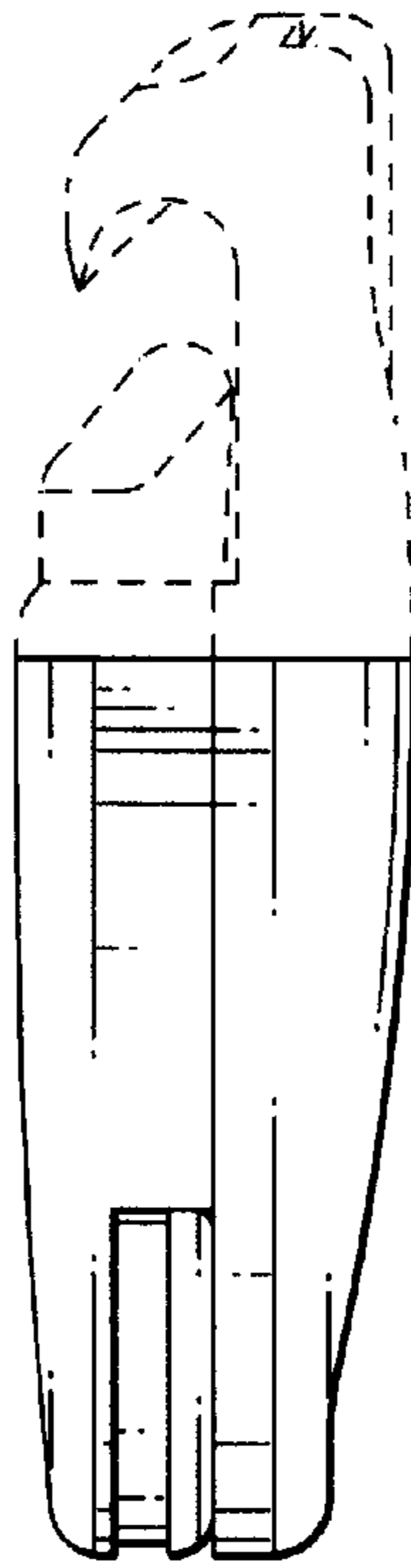


FIG. 3

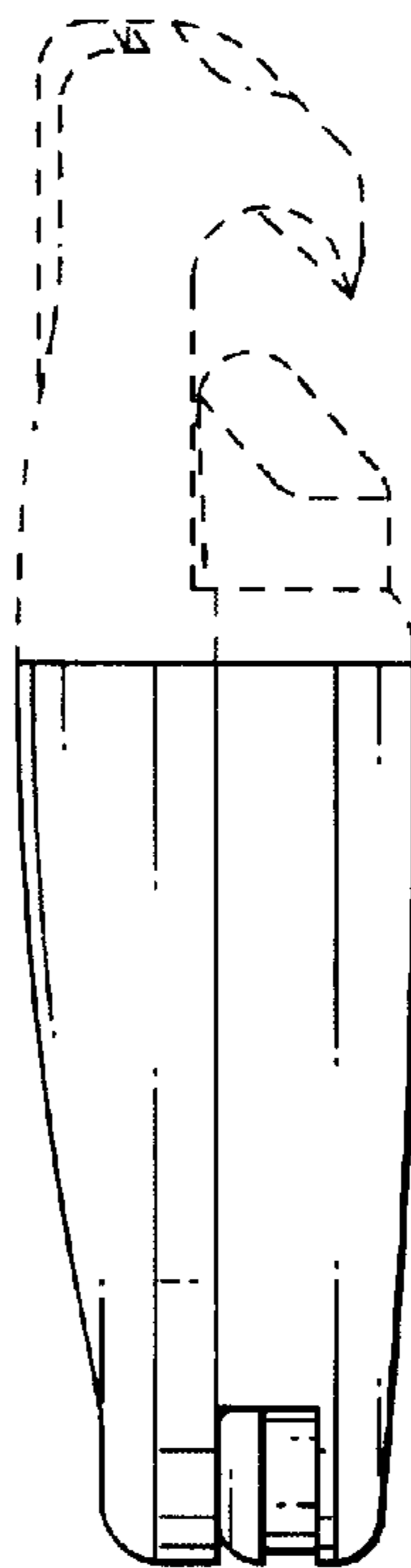


FIG. 4

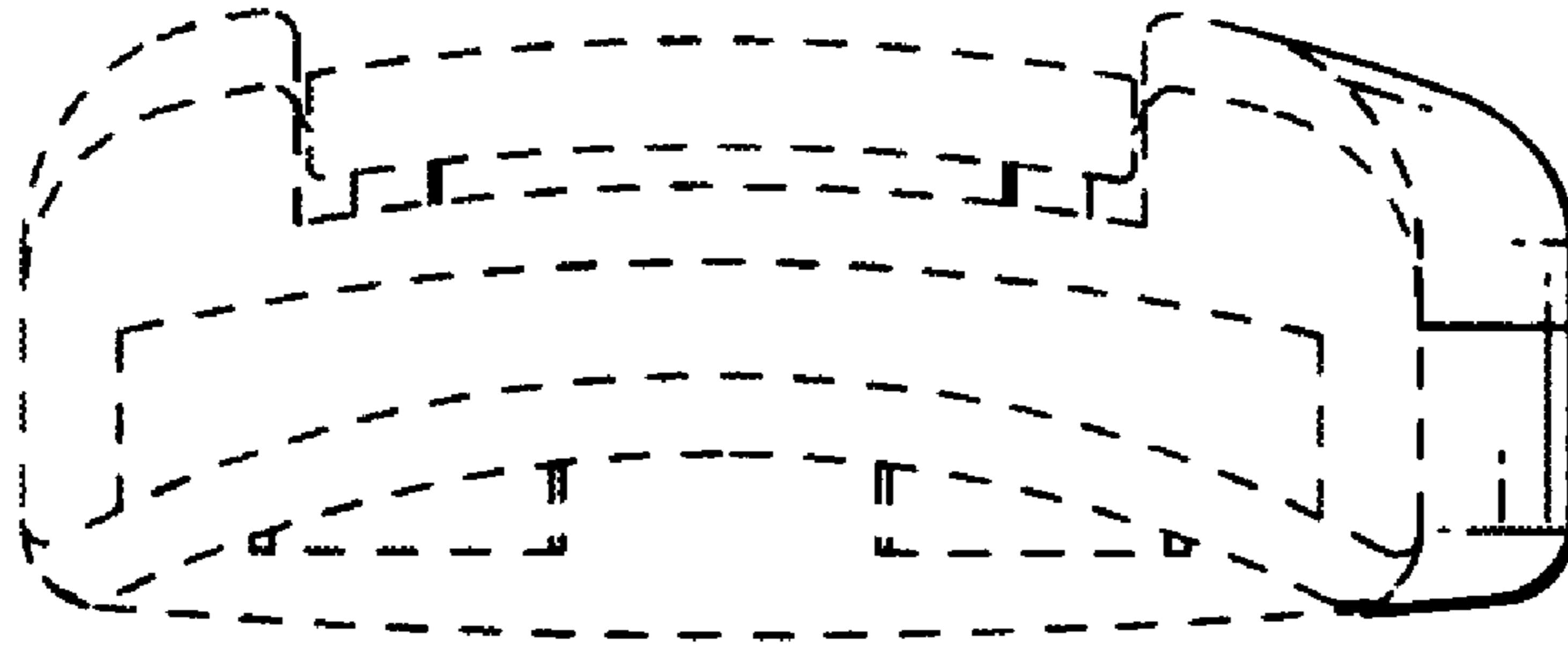


FIG. 5

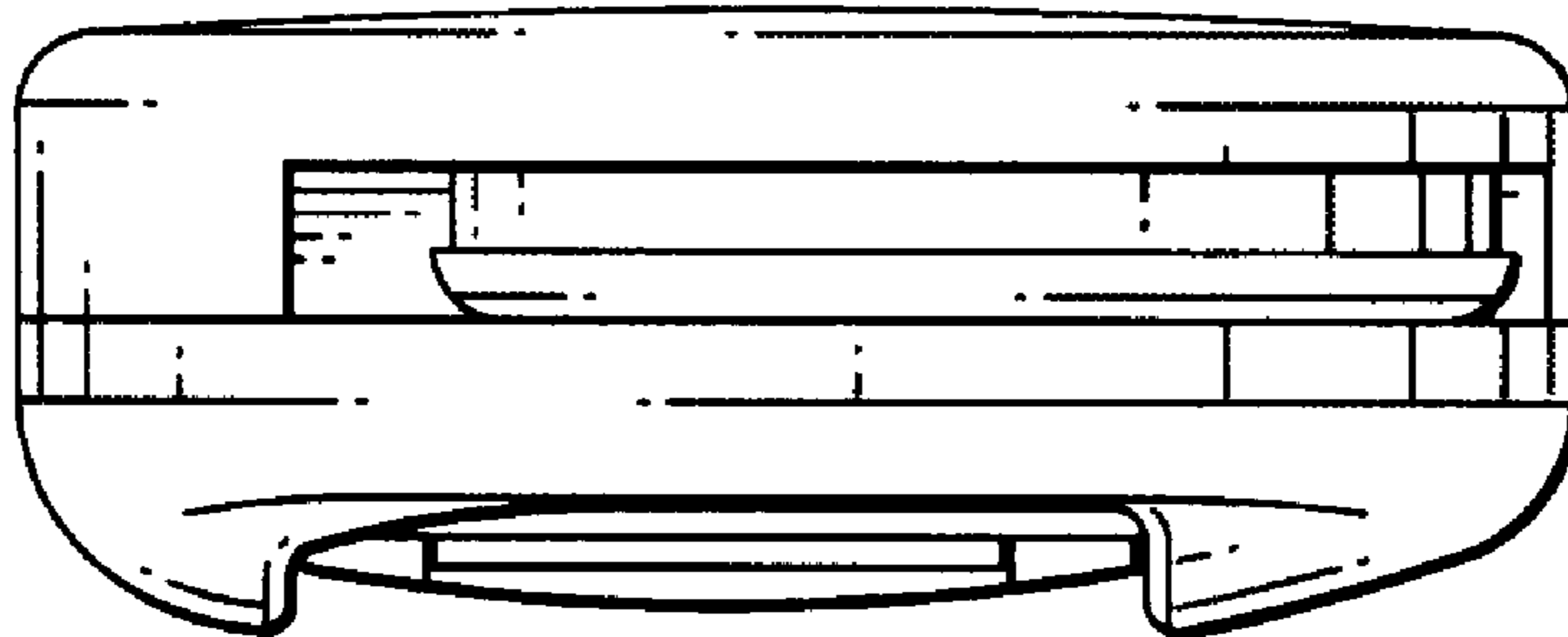


FIG. 6

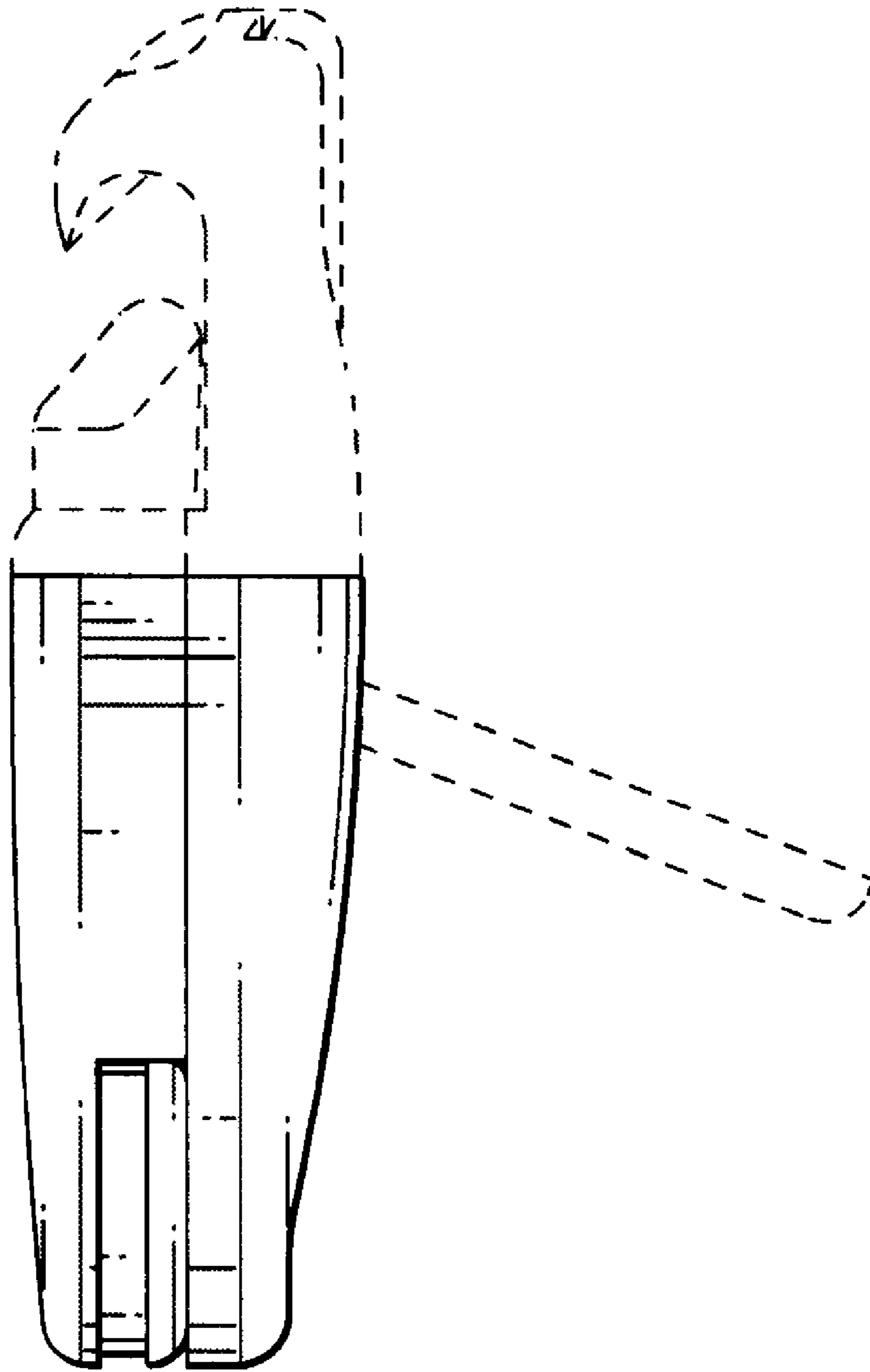


FIG. 7