

US00D524478S

(12) **United States Design Patent**
McLeish

(10) **Patent No.:** **US D524,478 S**
(45) **Date of Patent:** **** Jul. 4, 2006**

(54) **CAPSULE**

DESCRIPTION

- (75) Inventor: **Andrew Robert McLeish**, South Yorkshire (GB)
- (73) Assignee: **Reckitt Bensker N.V.**, Hoofddorp (NL)
- (**) Term: **14 Years**
- (21) Appl. No.: **29/206,237**
- (22) Filed: **May 27, 2004**

Related U.S. Application Data

- (63) Continuation-in-part of application No. 29/188,151, filed on Aug. 13, 2003, which is a continuation-in-part of application No. 29/152,745, filed on Dec. 27, 2001, now abandoned.
- (51) **LOC (8) Cl.** **28-01**
- (52) **U.S. Cl.** **D28/8.1**
- (58) **Field of Classification Search** D28/4, D28/8.1, 8.2; D9/702, 707, 710, 715, 418, D9/425; 510/133, 137-149, 191, 192, 198, 510/224, 225, 298, 440, 441, 445-449
See application file for complete search history.

(56) **References Cited**

U.S. PATENT DOCUMENTS

- 4,754,874 A 7/1988 Haney
- 4,774,014 A 9/1988 Kuenzel et al.

(Continued)

FOREIGN PATENT DOCUMENTS

- GB DES. 2087195 4/1999
- GB DES. 2087197 4/1999

(Continued)

Primary Examiner—Catherine Tuttle

(74) *Attorney, Agent, or Firm*—Akin Gump Strauss Hauer & Feld, LLP

(57) **CLAIM**

The ornamental design for a capsule, as shown and described.

The file of this patent or application contains at least one drawing or photograph executed in color. Copies of this patent or patent application publication with color drawings will be provided by the Patent and Trademark Office upon request and payment of the necessary fee.

FIG. 1 is a top perspective view of a capsule showing a first embodiment of my new design;

FIG. 2 is a top plan view thereof;

FIG. 3 is a front elevational view thereof, a rear elevational view thereof being the same;

FIG. 4 is a right-side elevational view thereof, a left-side elevational view thereof being the same;

FIG. 5 is a bottom plan view thereof;

FIG. 6 is a top perspective view of a capsule showing a second embodiment of my new design;

FIG. 7 is a top plan view thereof;

FIG. 8 is a front elevational view thereof, a rear elevational view thereof being the same;

FIG. 9 is a right-side elevational view thereof, a left-side elevational view thereof being the same;

FIG. 10 is a bottom plan view thereof;

FIG. 11 is a top perspective view of a capsule showing a third embodiment of my new design;

FIG. 12 is a top plan view thereof;

FIG. 13 is a front elevational view thereof, a rear elevational view thereof being the same;

FIG. 14 is a right-side elevational view thereof, a left-side elevational view thereof being the same;

FIG. 15 is a bottom plan view thereof;

FIG. 16 is a top perspective view of a capsule showing a fourth embodiment of my new design;

FIG. 17 is a top plan view thereof;

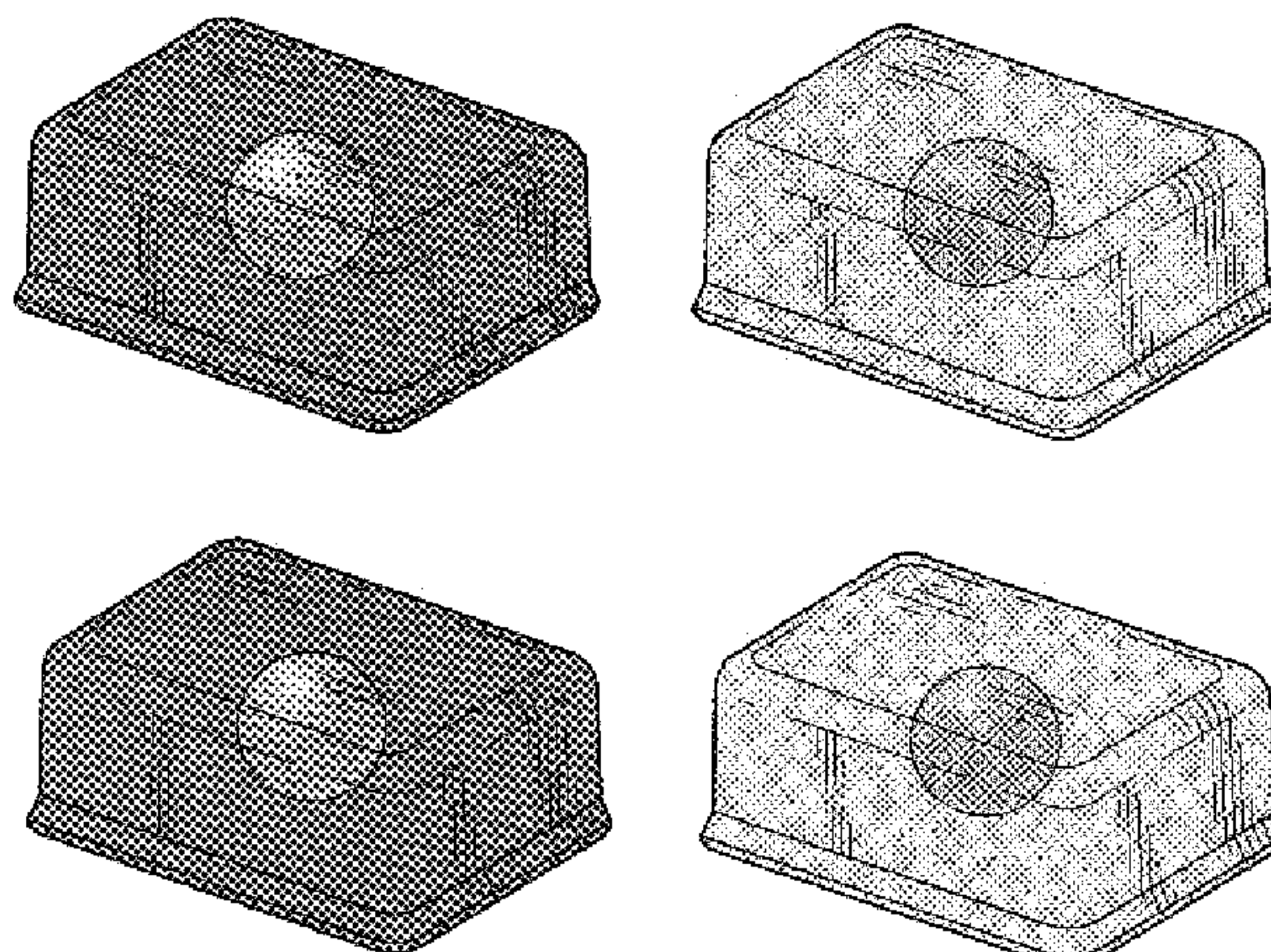
FIG. 18 is a front elevational view thereof, a rear elevational view thereof being the same;

FIG. 19 is a right-side elevational view thereof, a left-side elevational view thereof being the same; and,

FIG. 20 is a bottom plan view thereof.

1 Claim, 4 Drawing Sheets

(2 of 4 Drawing Sheet(s) Filed in Color)



US D524,478 S

Page 2

U.S. PATENT DOCUMENTS

D431,094 S 9/2000 Forward et al.
D442,333 S * 5/2001 Friesenhahn D28/8.1
D442,738 S 5/2001 Friesenhahn
D451,242 S 11/2001 Neergaard
6,403,543 B1 6/2002 George
6,541,441 B2 * 4/2003 Mumoli 510/446
D474,857 S * 5/2003 McLeish D28/8.1
D479,128 S * 9/2003 Jowett D9/425
6,660,704 B1 * 12/2003 Waschenbach et al. 510/298
D485,643 S * 1/2004 McLeish D28/8.1
D487,165 S 2/2004 Hammond et al.
D490,184 S * 5/2004 McLeish D28/8.1
2003/0108705 A1 * 6/2003 Duffield et al. 428/36.6

FOREIGN PATENT DOCUMENTS

GB DES. 2085441 8/1999
GB DES. 2102553 12/2000
GB DES. 2104090 2/2001
GB DES. 2106910 * 5/2001
GB DES. 2106911 * 5/2001
GB DES. 2106914 * 5/2001
GB DES. 2102837 * 6/2001
GB DES. 2102838 * 6/2001
GB DES. 2106924 * 6/2001
GB DES. 2106925 6/2001
GB DES. 2106949 * 6/2001
GB DES. 2106950 6/2001

* cited by examiner

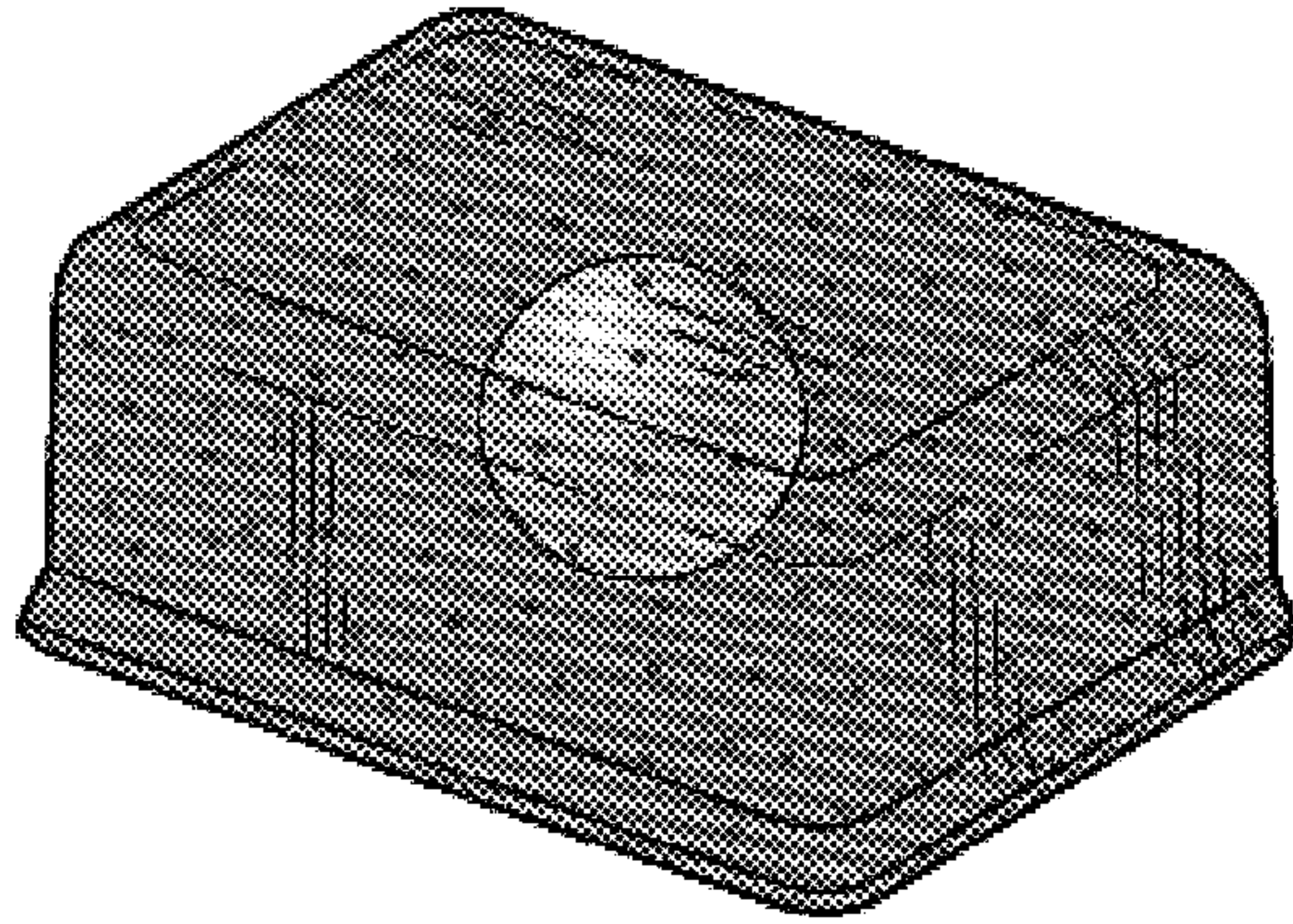


FIG. 1

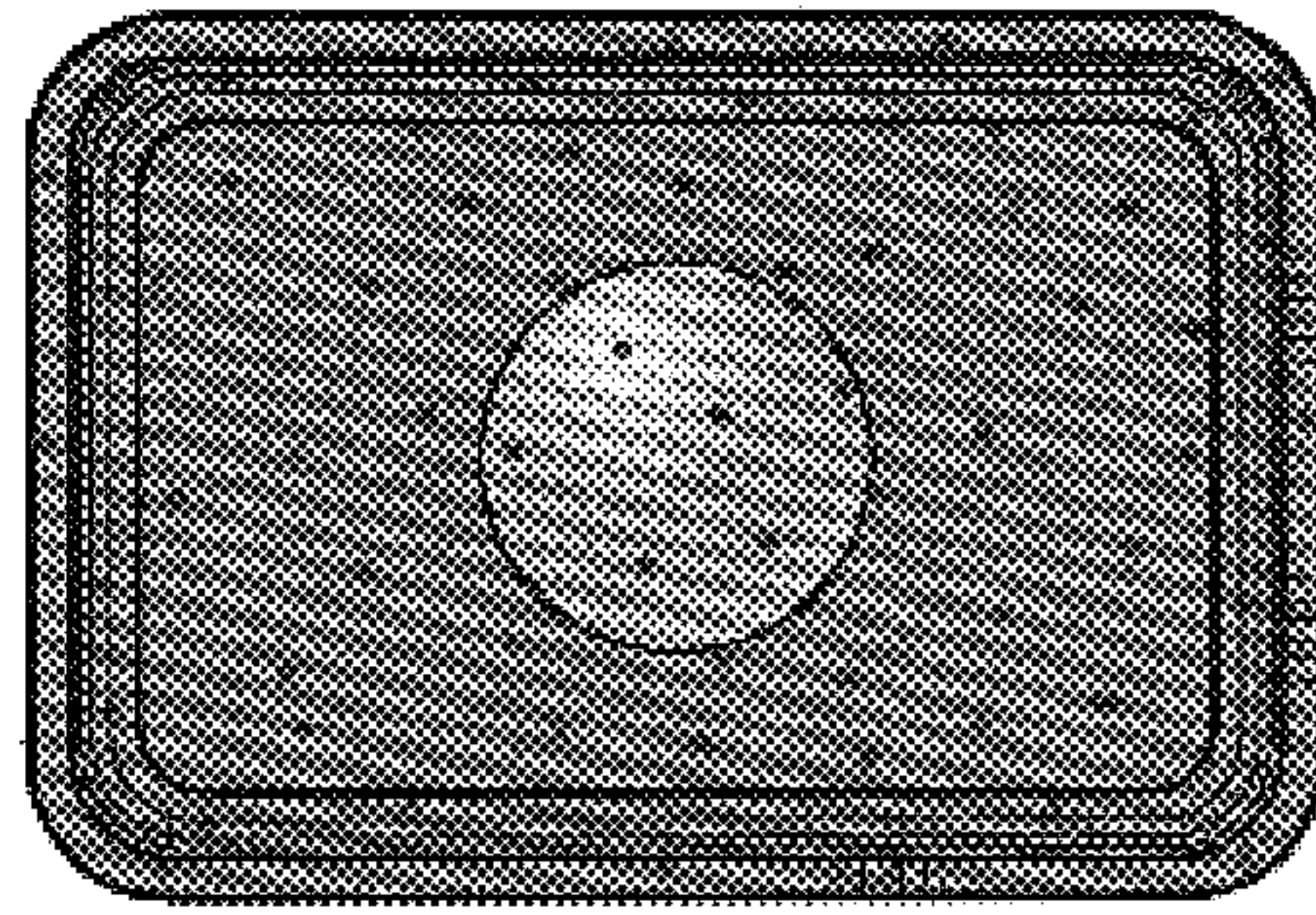


FIG. 2

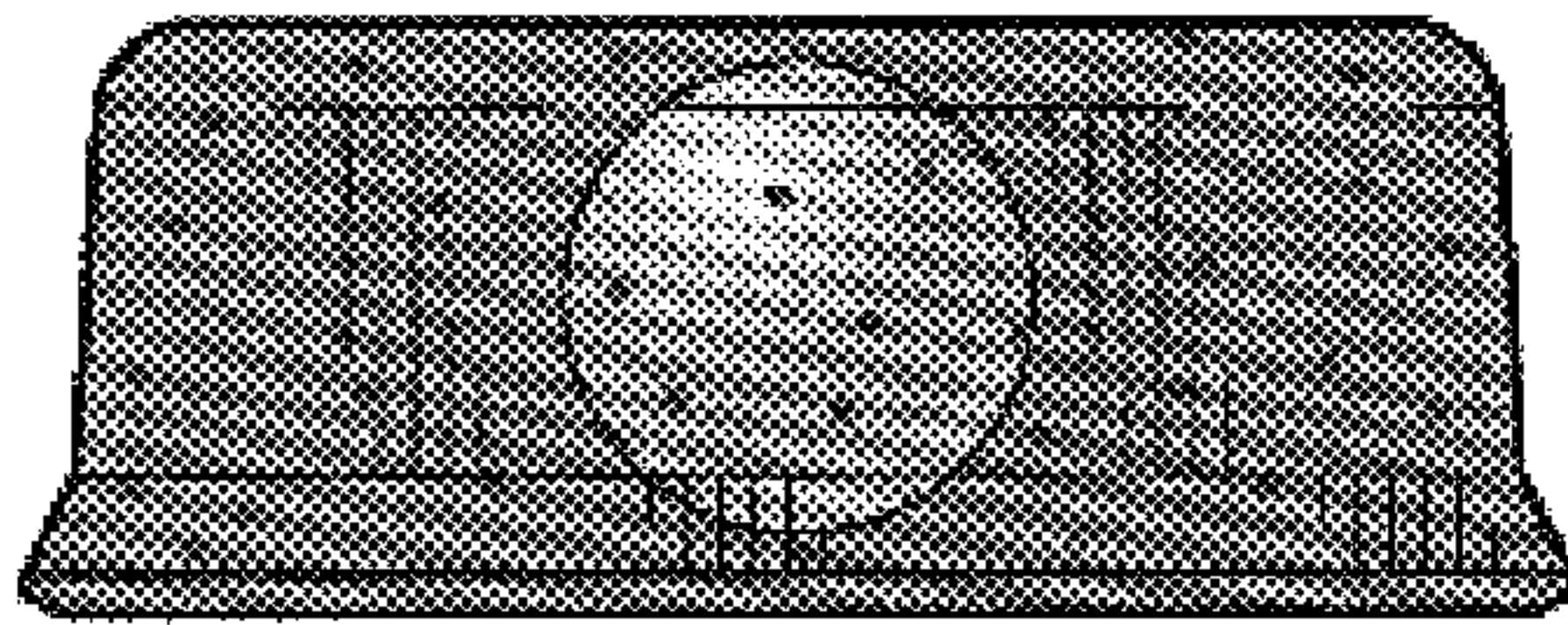


FIG. 3

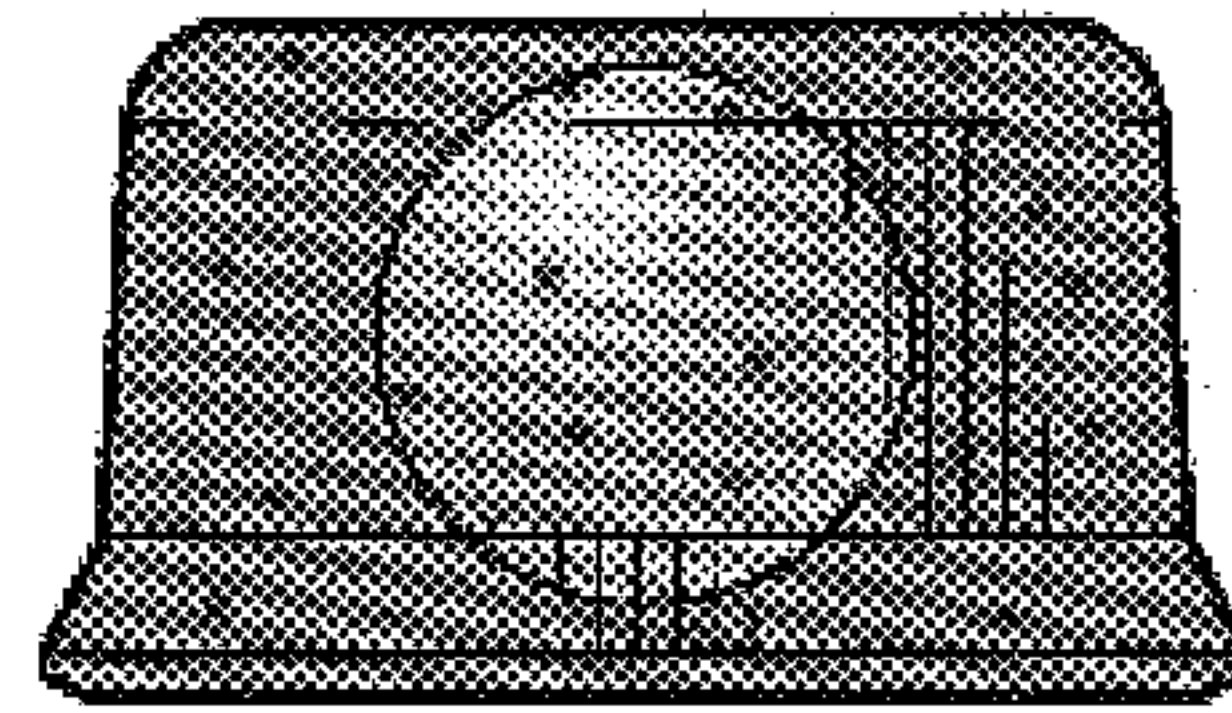


FIG. 4

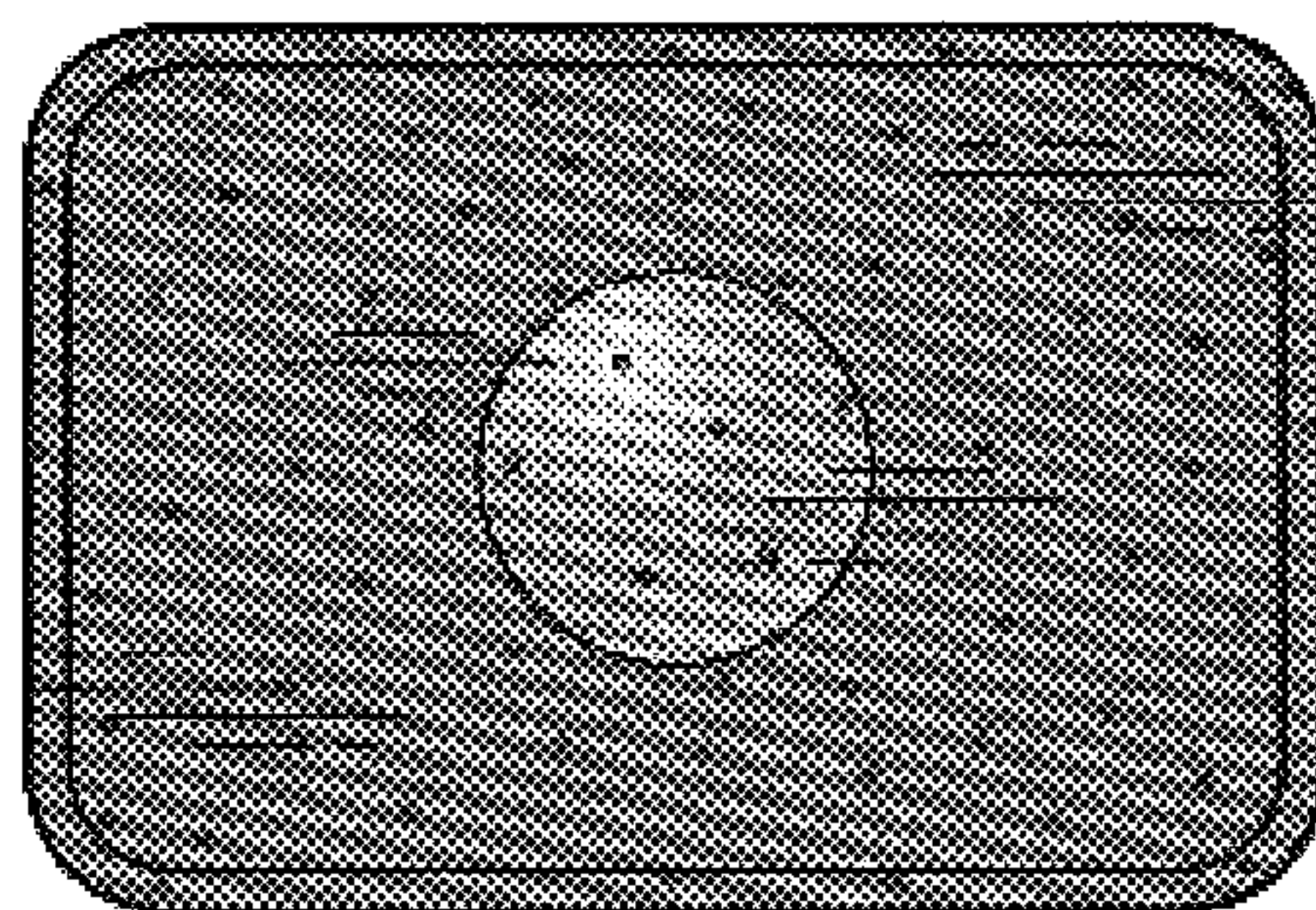


FIG. 5

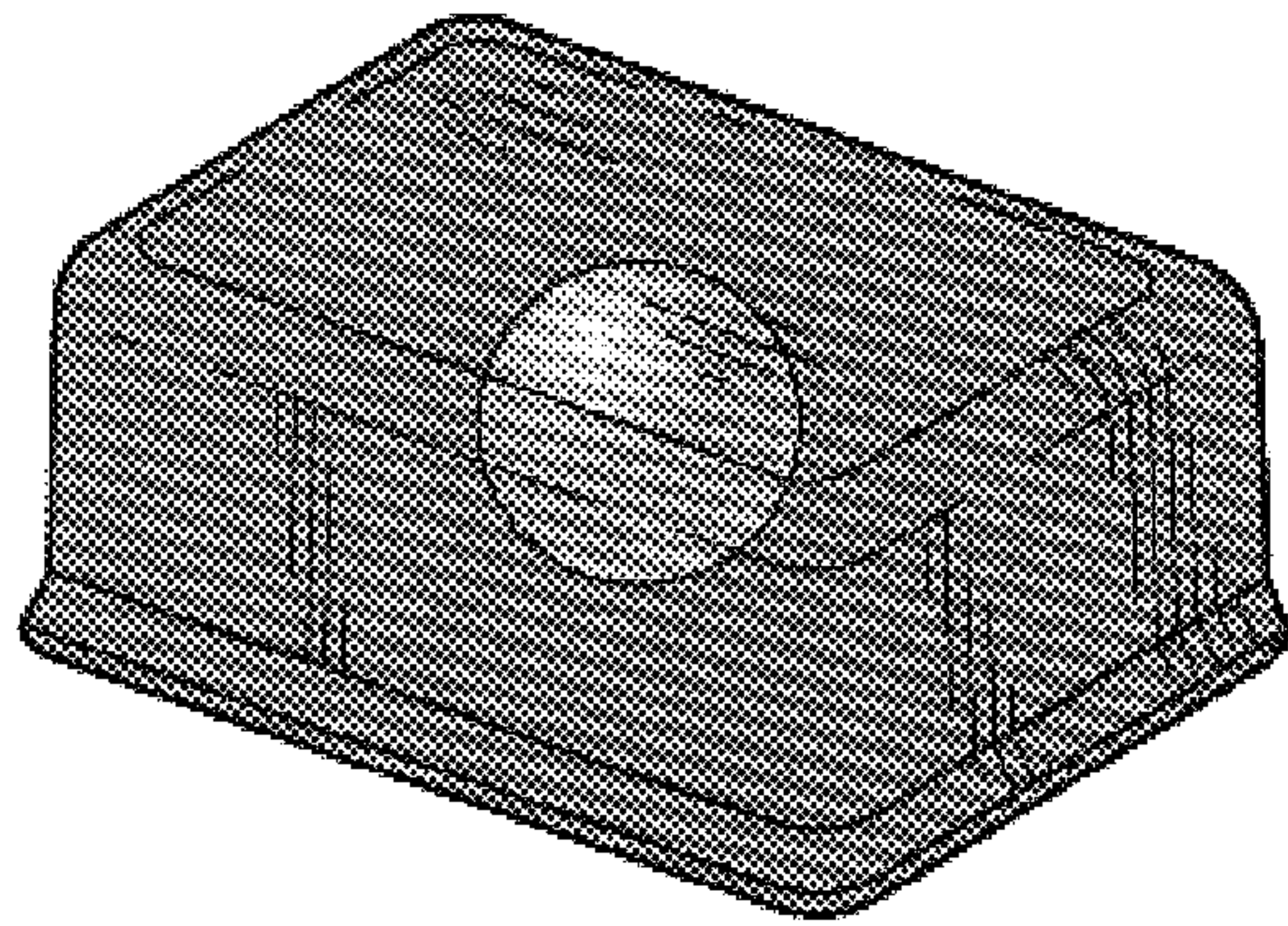


FIG. 6

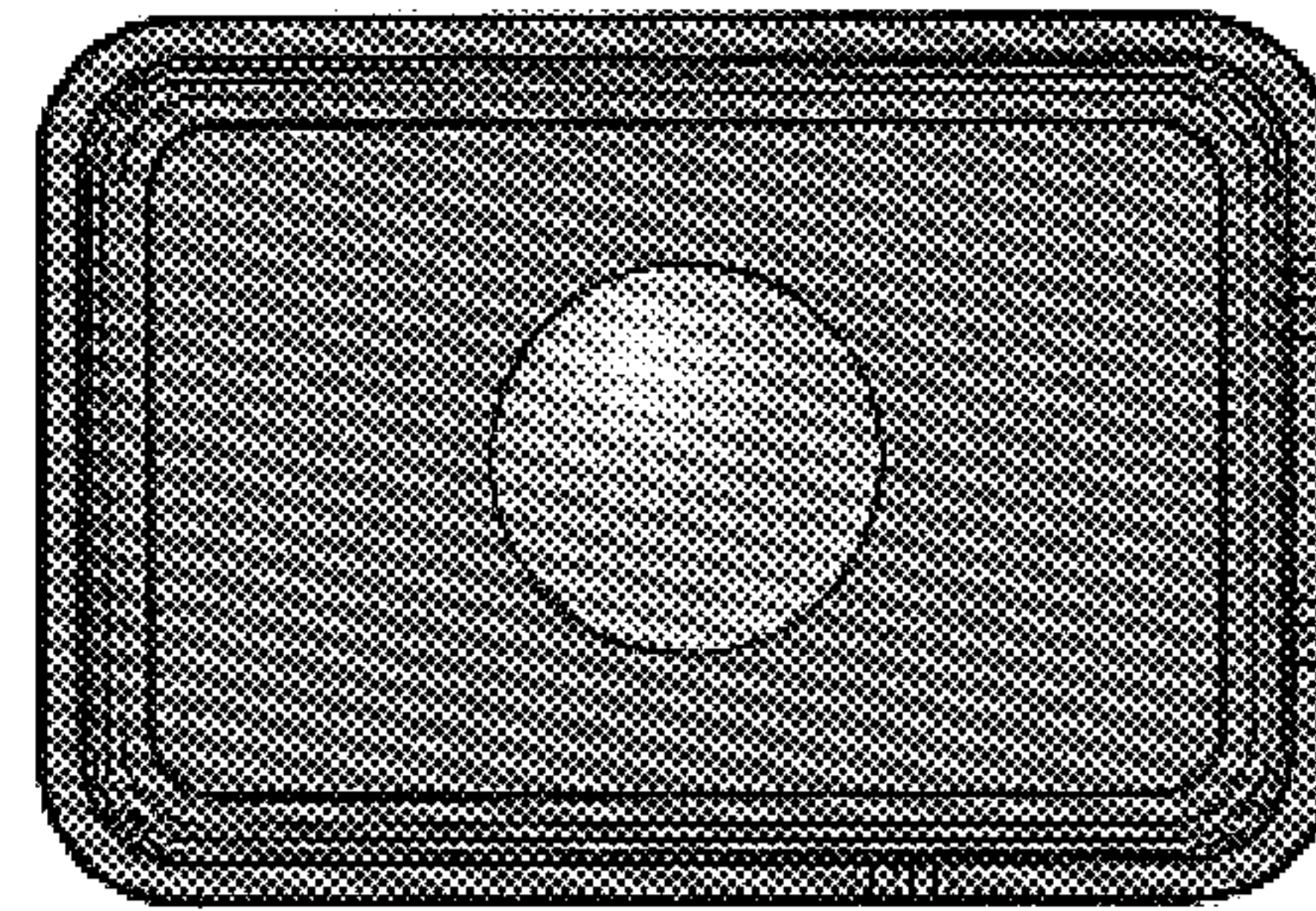


FIG. 7

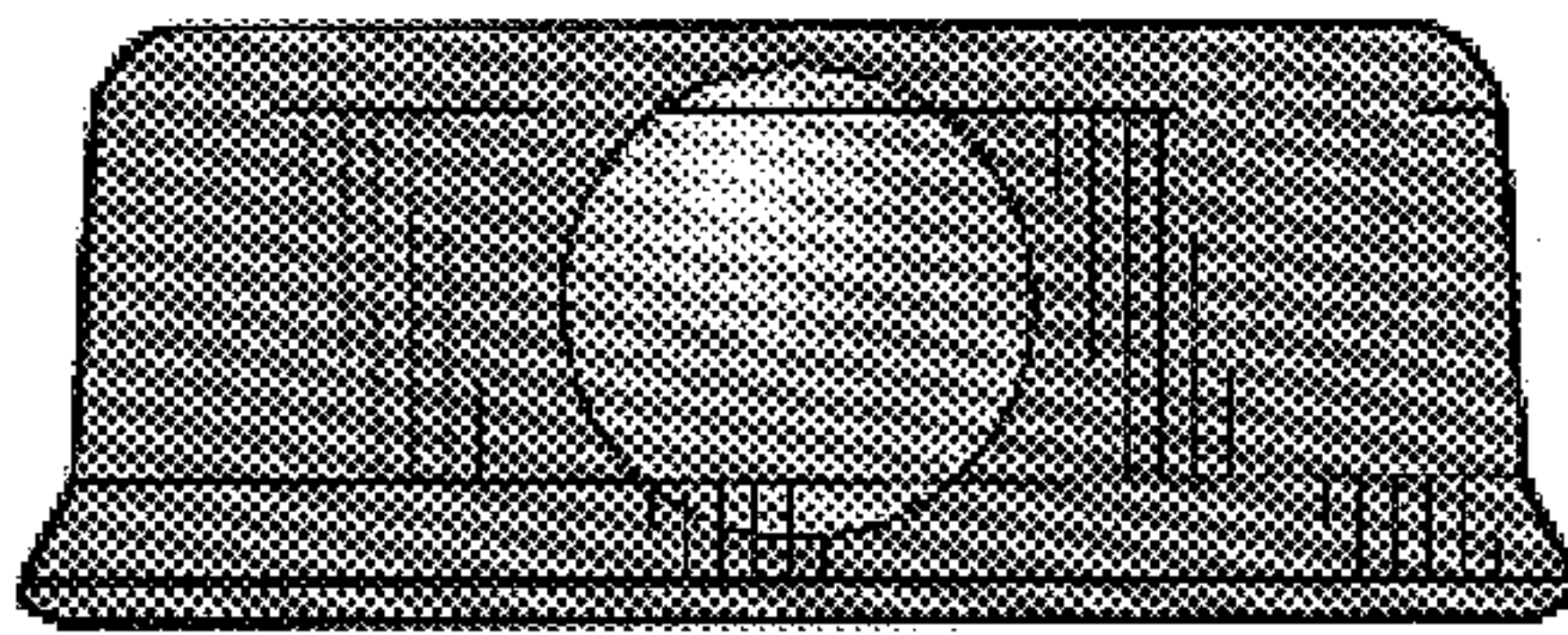


FIG. 8

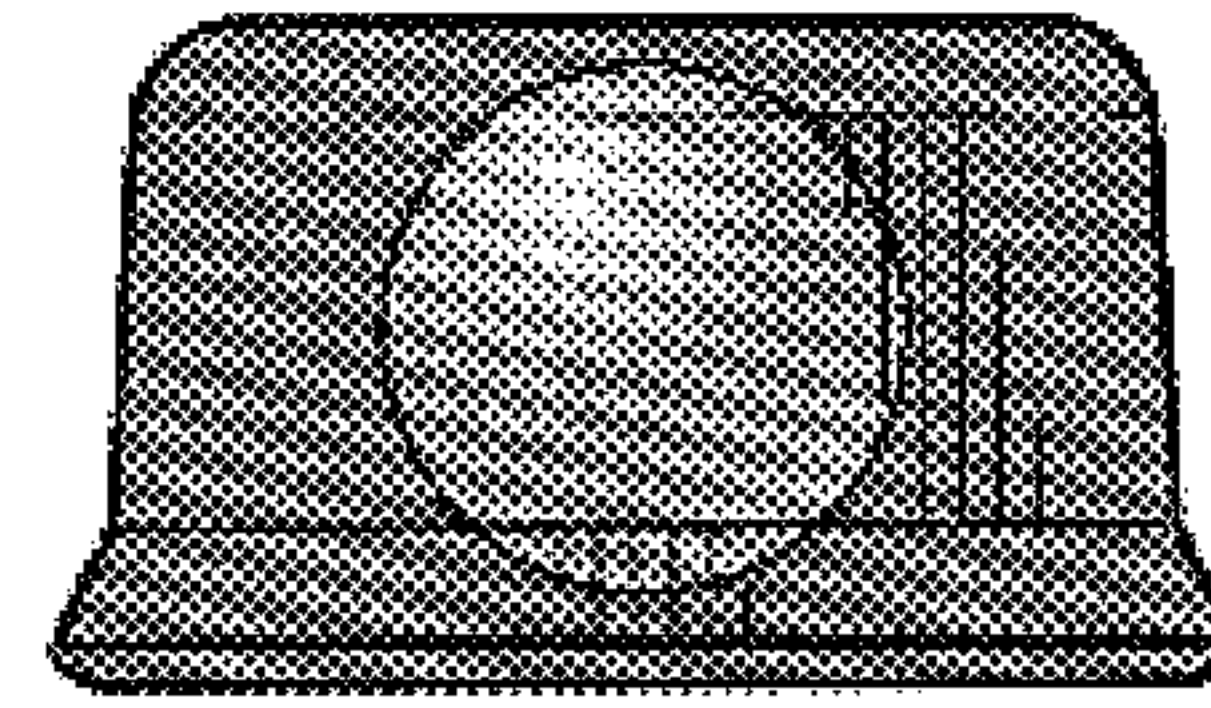


FIG. 9

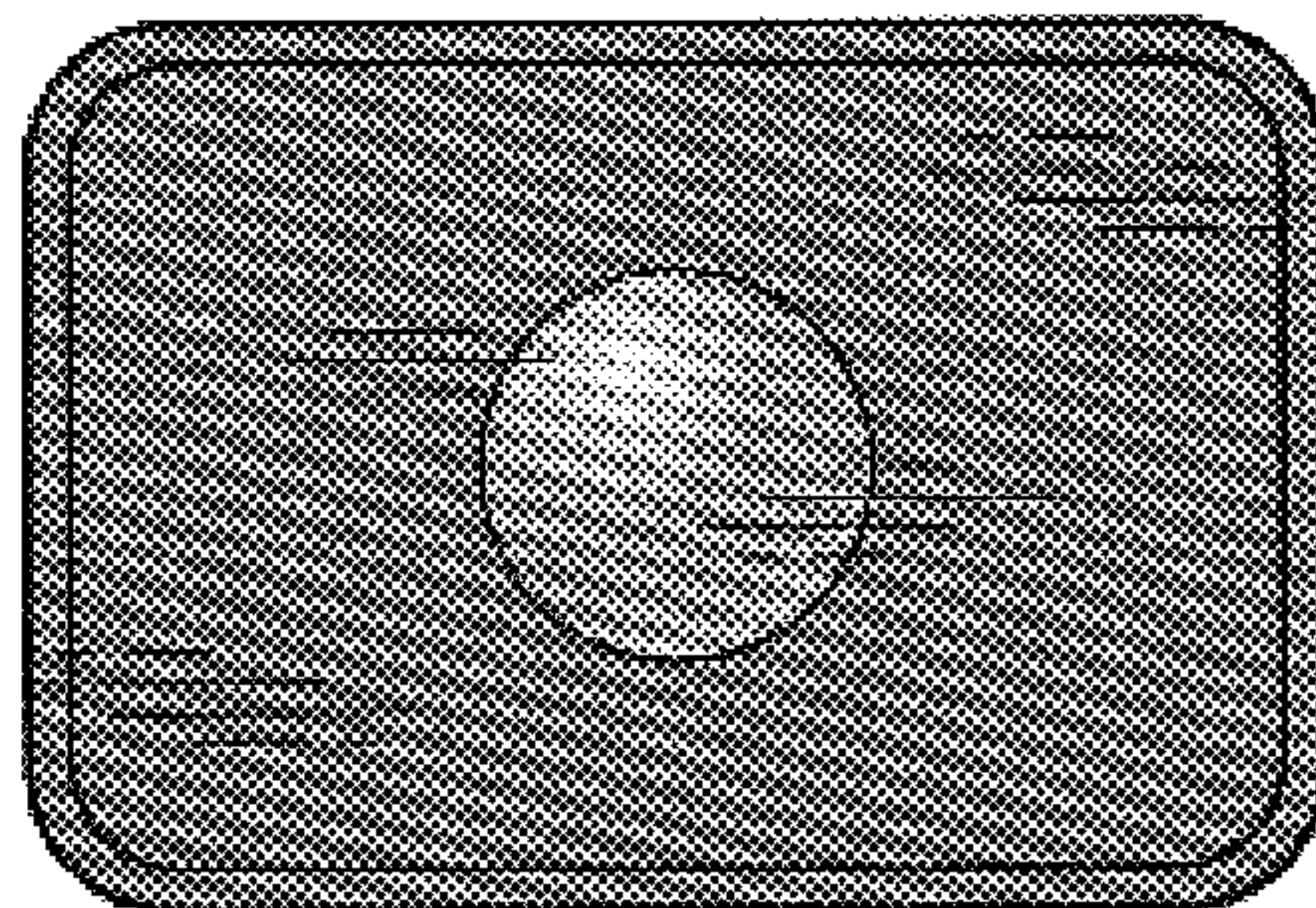


FIG. 10

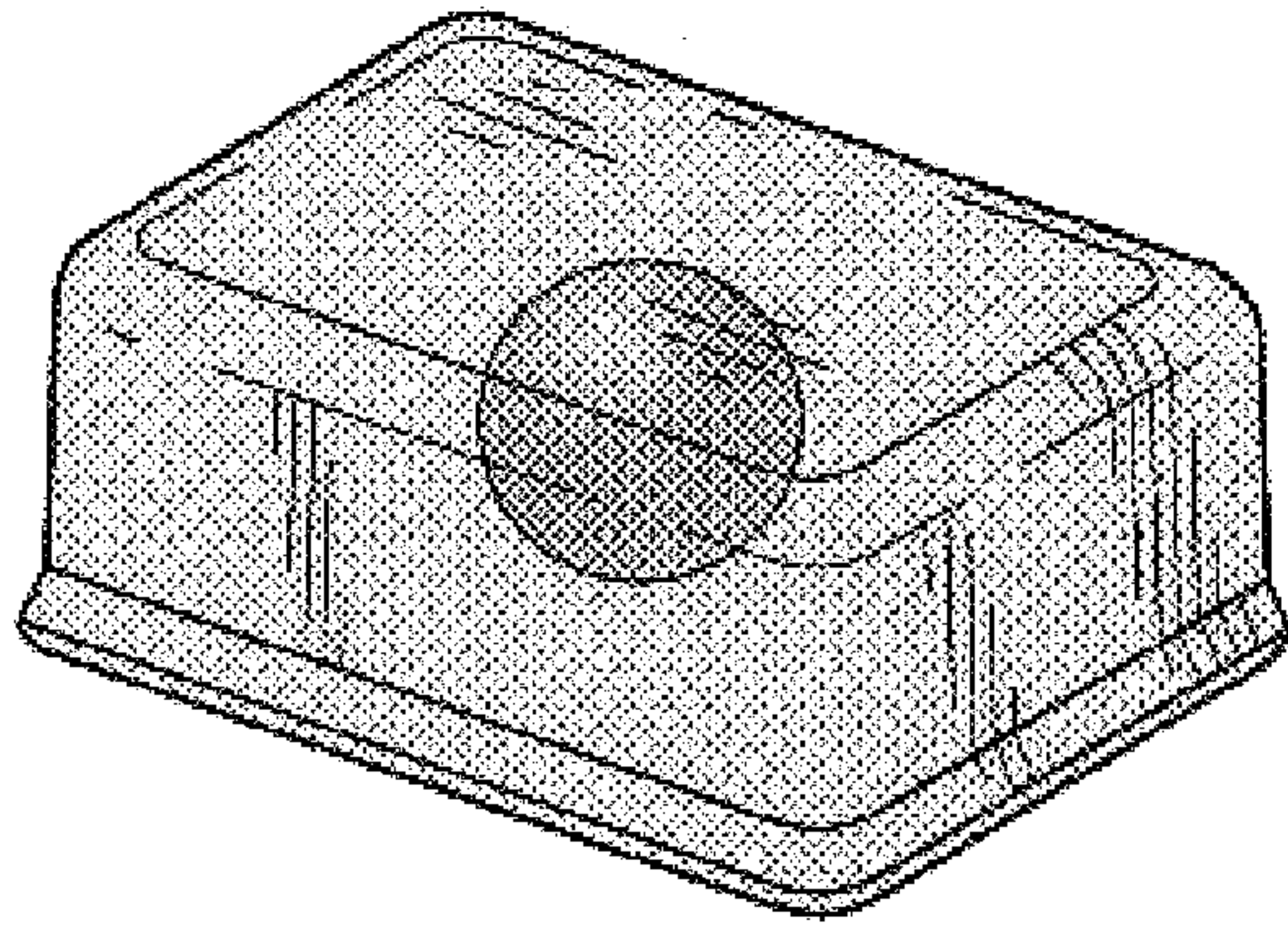


FIG. 11

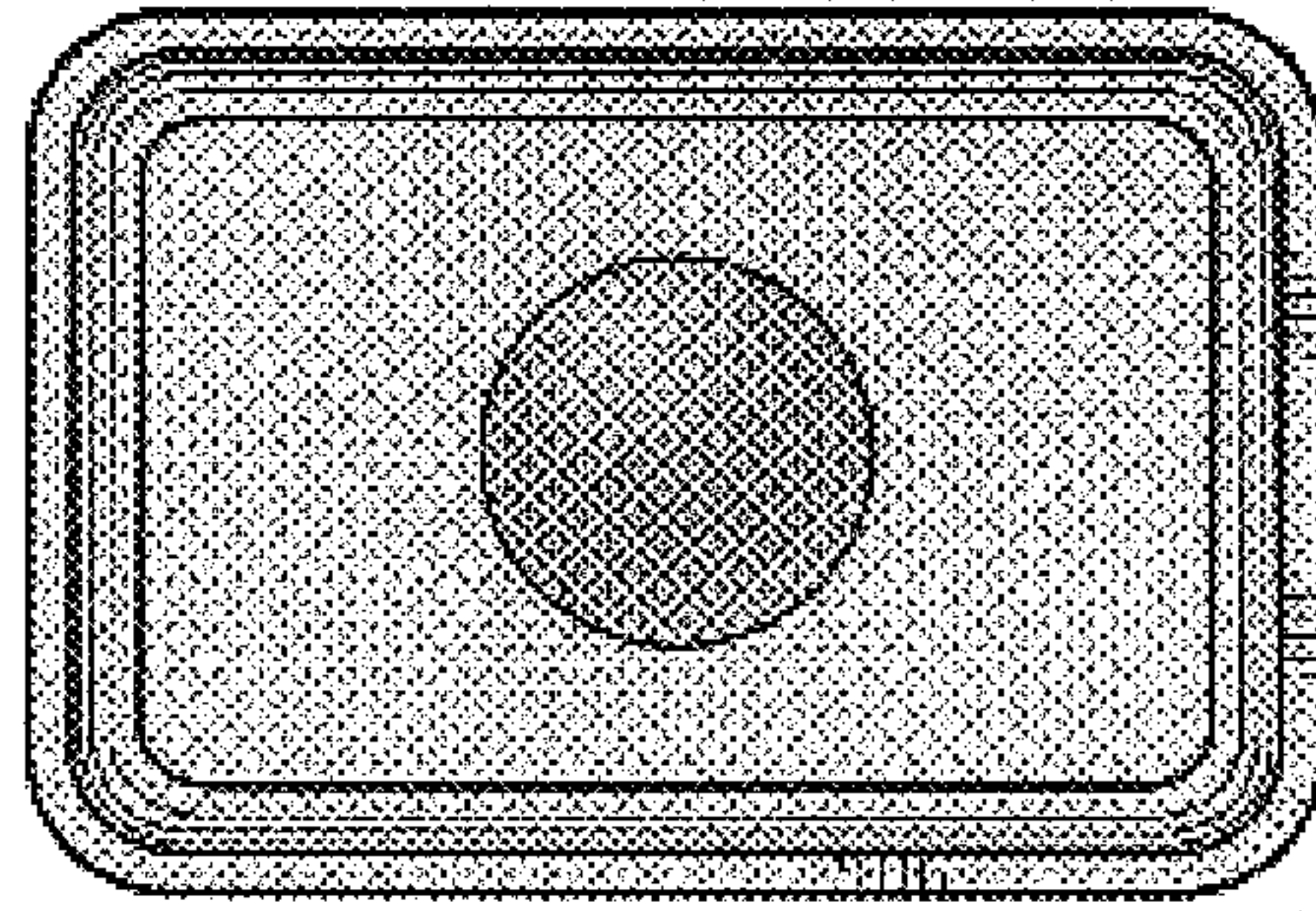


FIG. 12

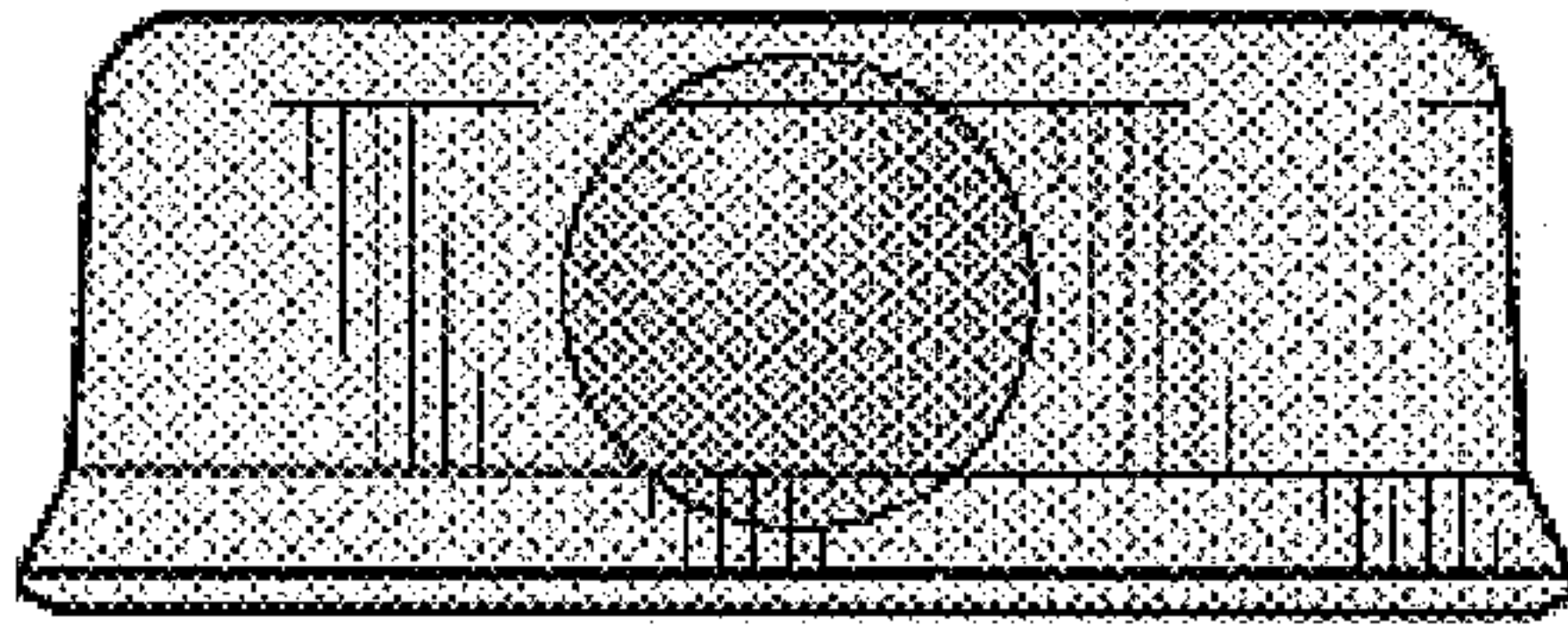


FIG. 13

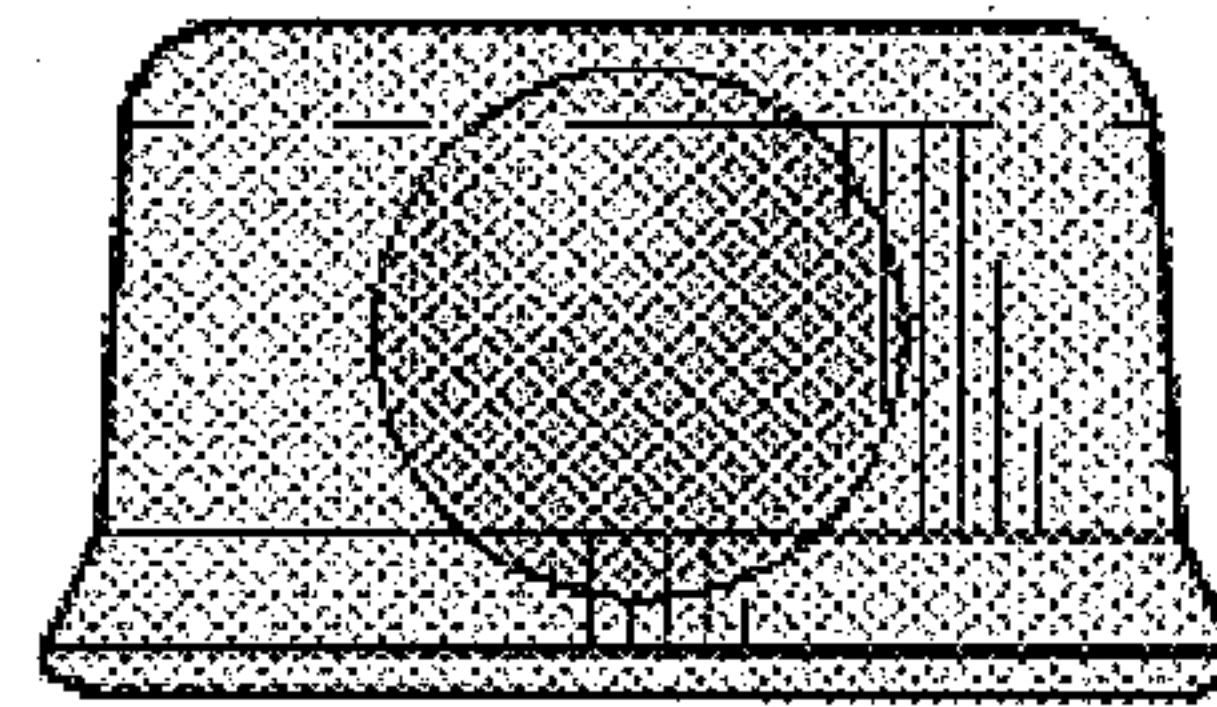


FIG. 14

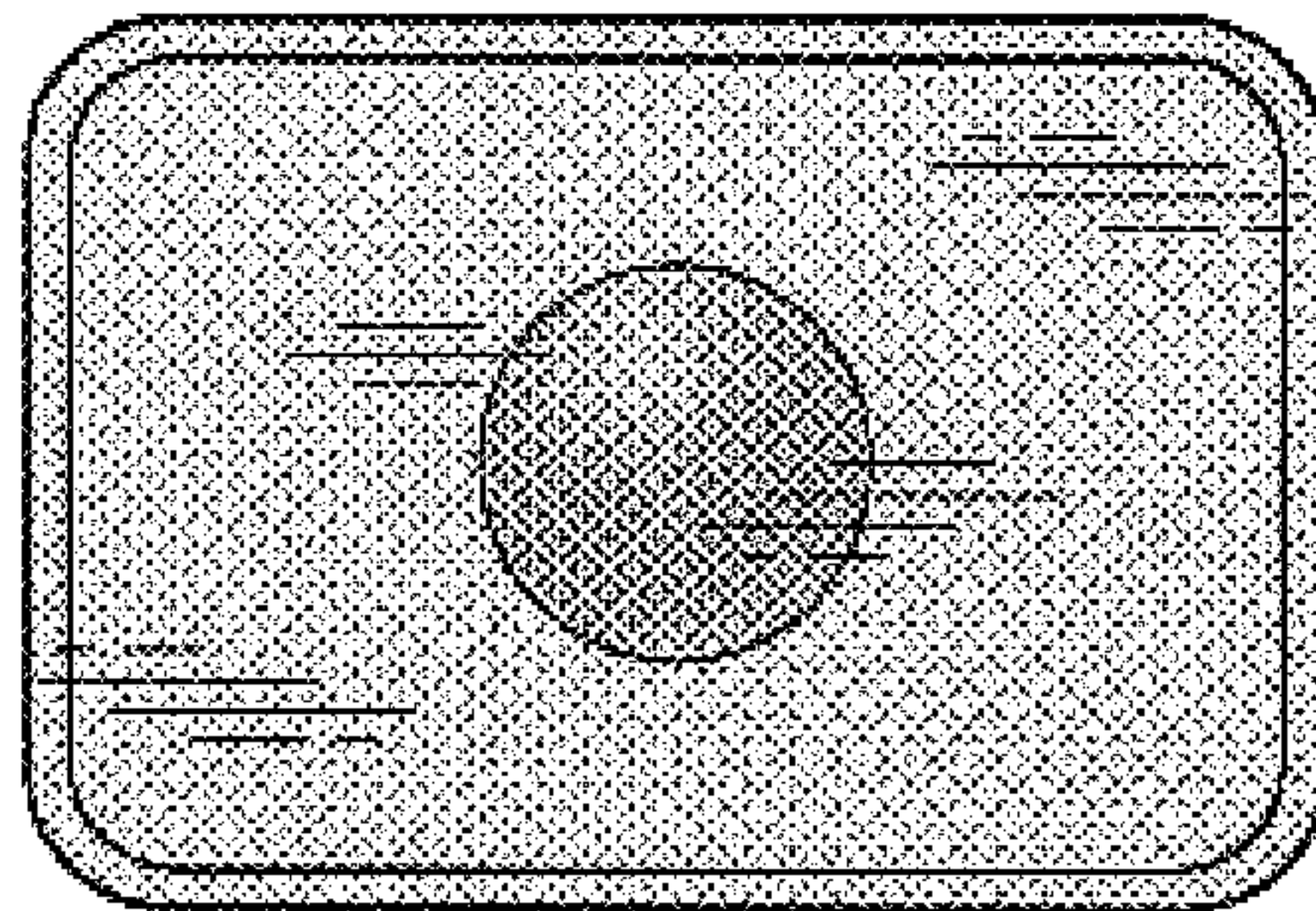


FIG. 15

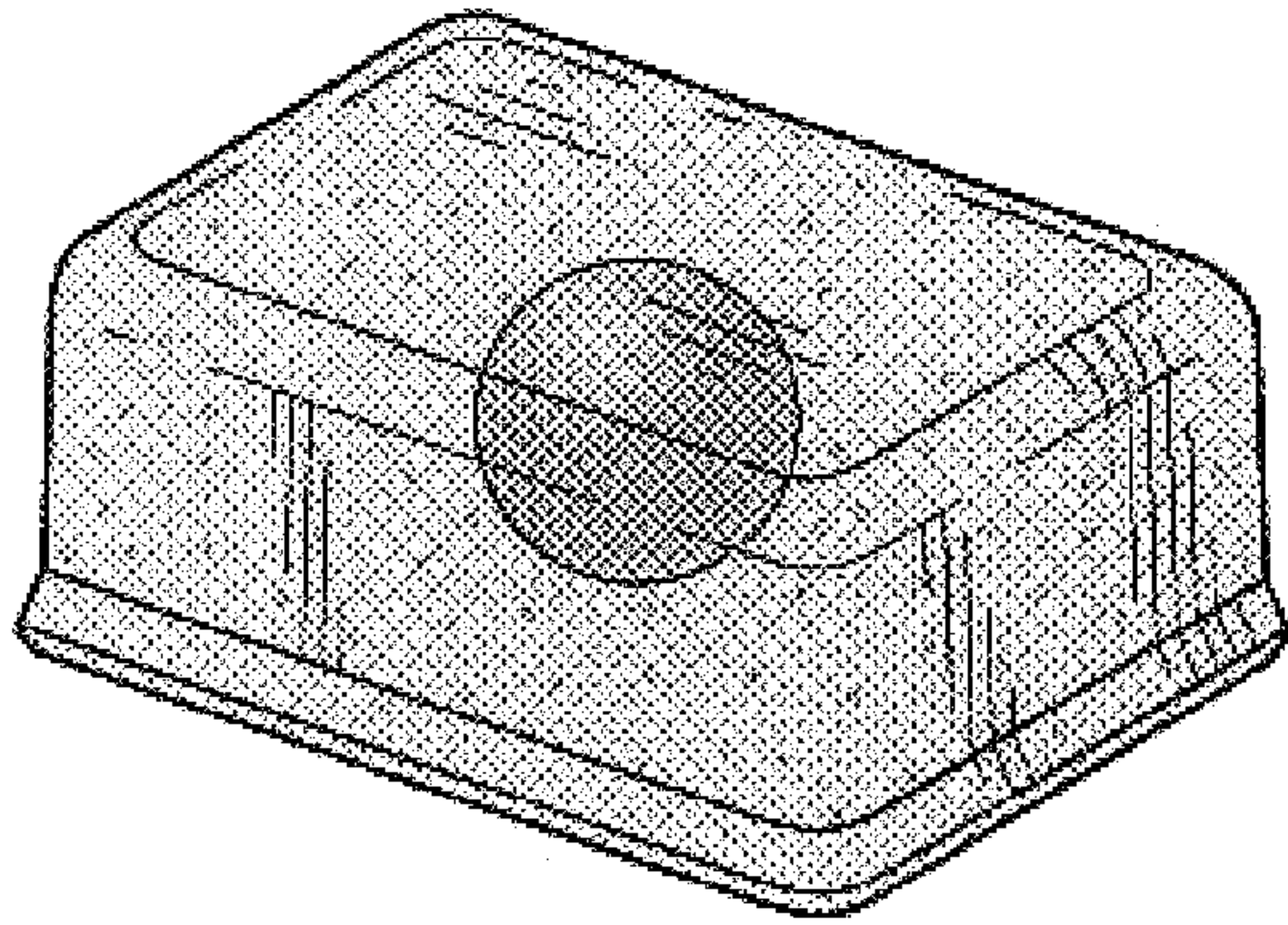


FIG. 16

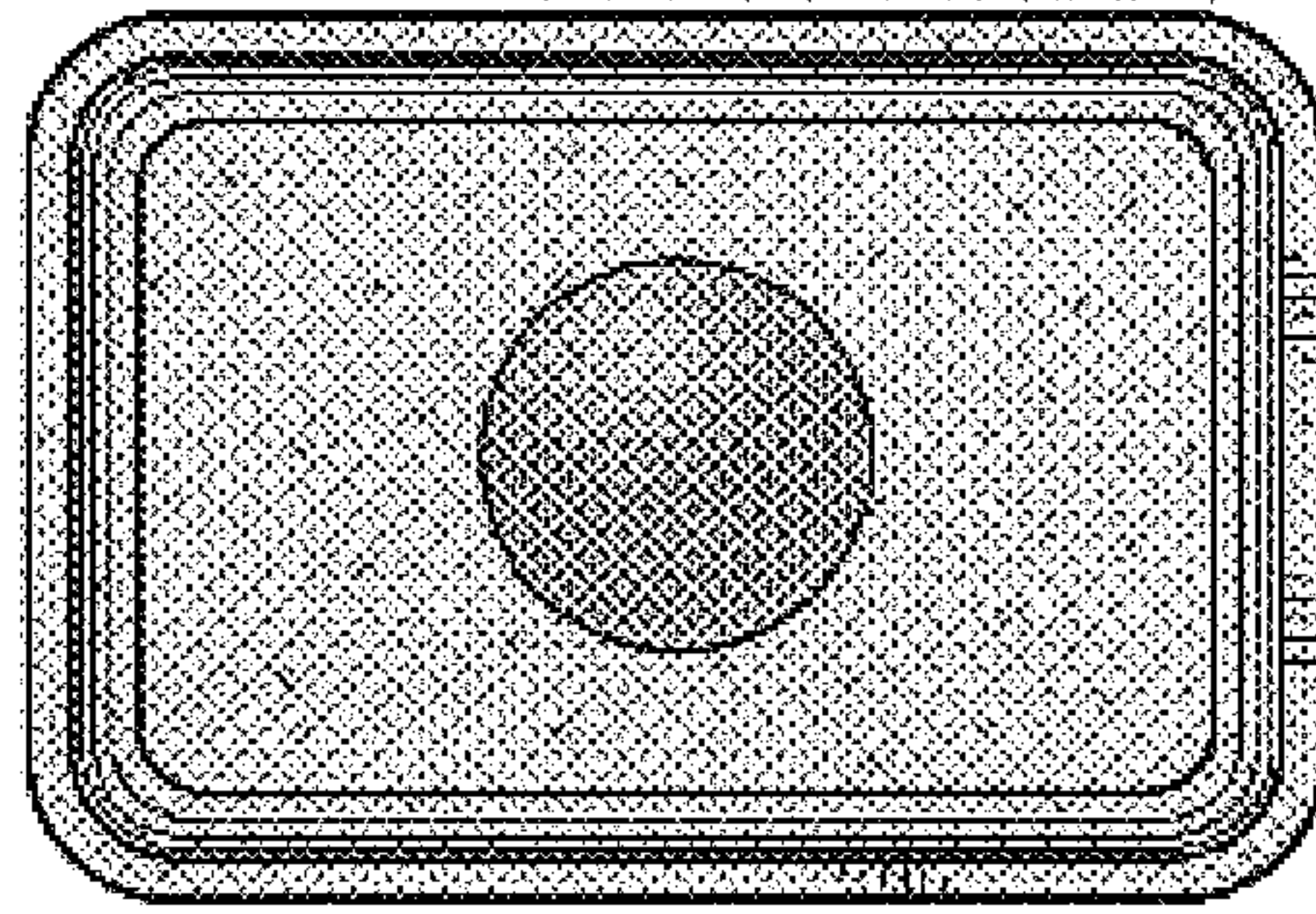


FIG. 17

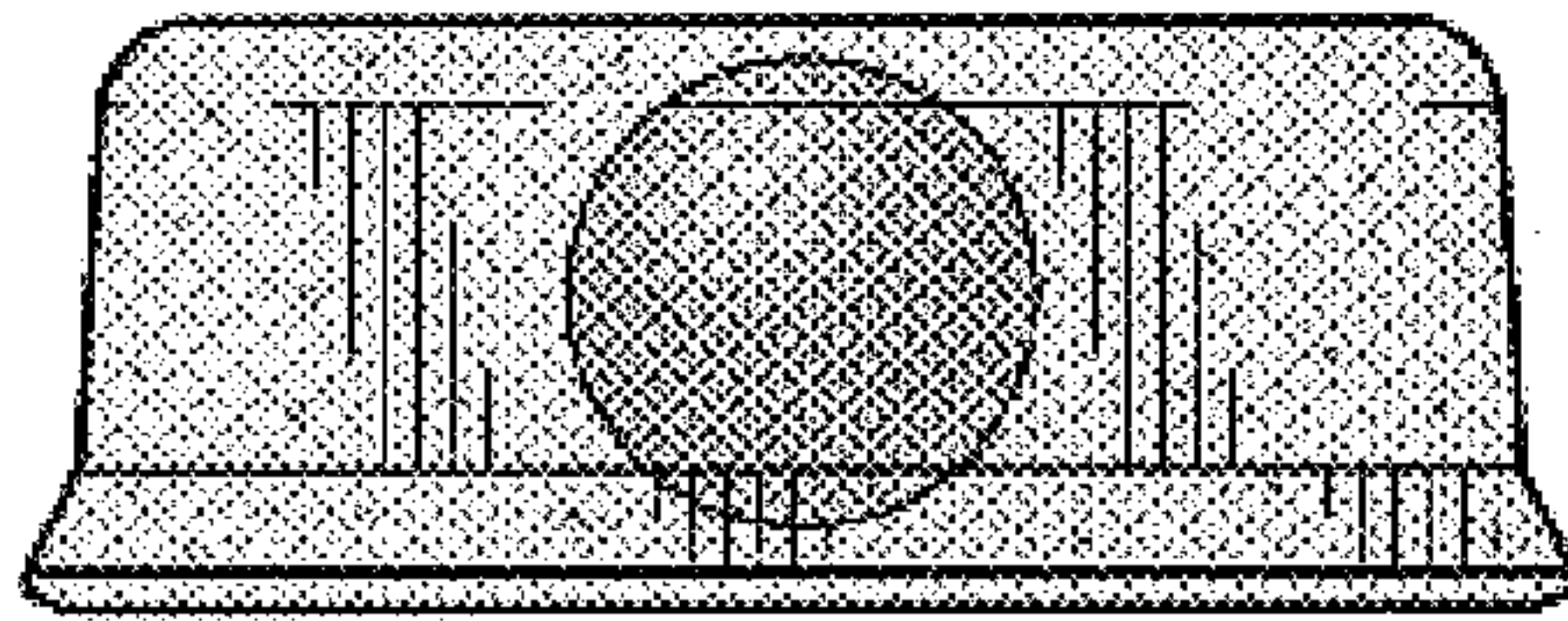


FIG. 18

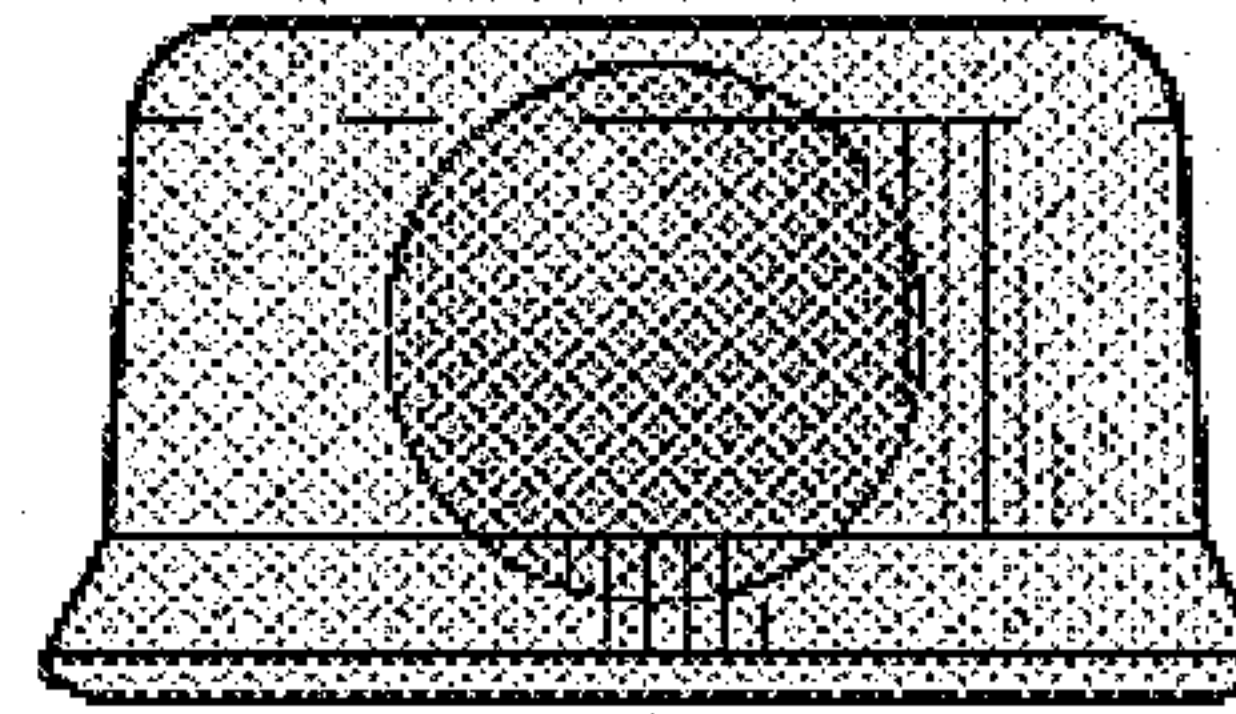


FIG. 19

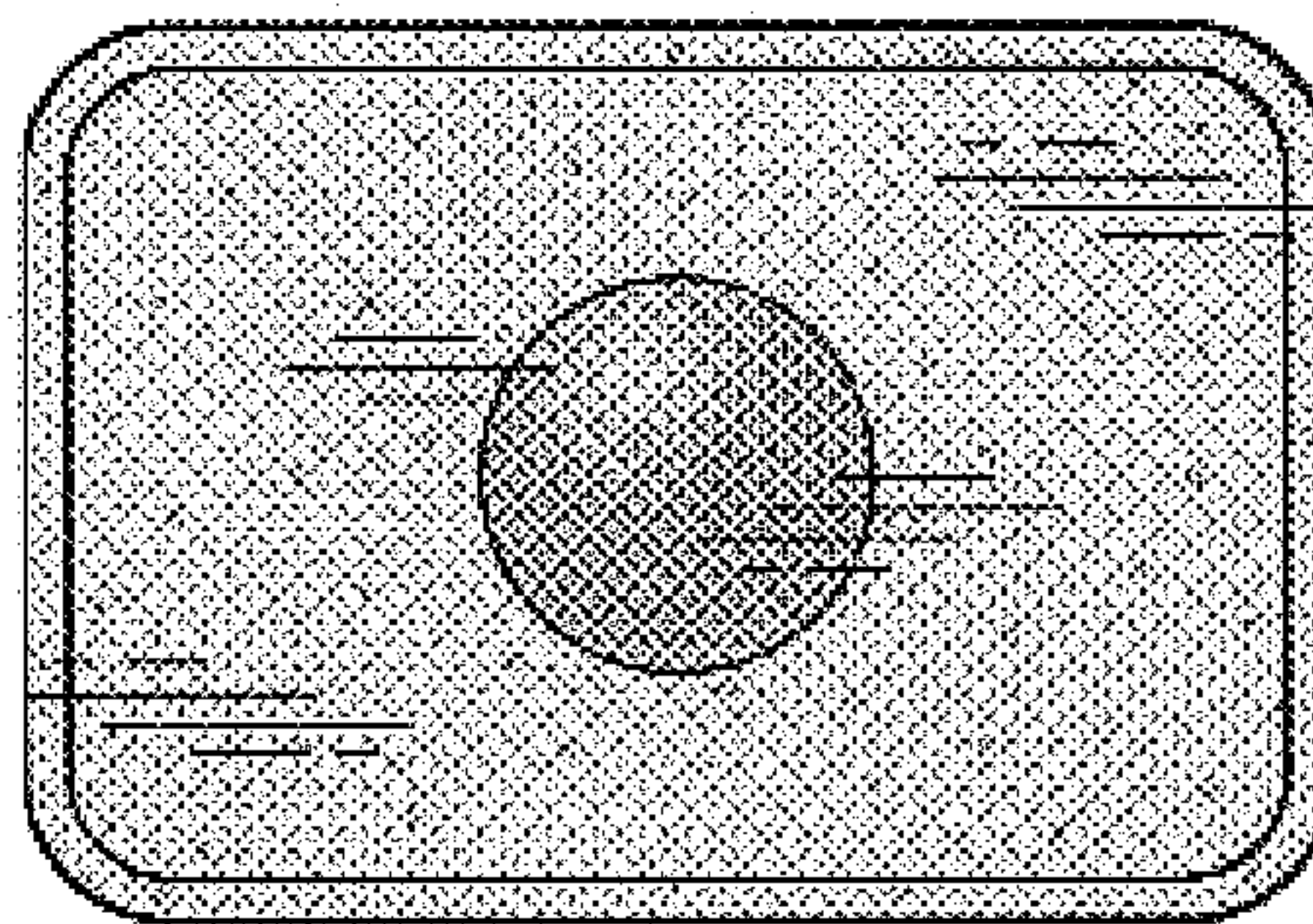


FIG. 20