



US00D524476S

(12) **United States Design Patent**  
**Schuyler et al.**

(10) **Patent No.:** **US D524,476 S**  
(45) **Date of Patent:** **\*\* Jul. 4, 2006**

(54) **LIGHT FIXTURE**

(75) Inventors: **Andrew Schuyler**, Colchester, VT  
(US); **Andrew Schonbek**, Plattsburgh,  
NY (US)

(73) Assignee: **Schonbek Worldwide Lighting, Inc.**,  
Plattsburgh, NY (US)

(\*\*) Term: **14 Years**

(21) Appl. No.: **29/221,186**

(22) Filed: **Jan. 12, 2005**

(51) **LOC (8) Cl.** ..... **26-99**

(52) **U.S. Cl.** ..... **D26/142; D26/154**

(58) **Field of Classification Search** ..... D26/154,  
D26/138, 113, 81, 84, 88; D11/90; 362/404-406,  
362/457, 806; 63/26-28, 32

See application file for complete search history.

(56) **References Cited**

**U.S. PATENT DOCUMENTS**

D55,512 S \* 6/1920 Heller ..... D11/90  
D56,949 S \* 1/1921 Tatler ..... D11/90

(Continued)

**OTHER PUBLICATIONS**

Basket Sconce with Crystal Accents. Item #92659 from  
Lamps Plus. Found online at lampsplus.com on Aug. 11,  
2005.\*

“Star Dust” by Tokujin Yoshioka from the Swarovski Crys-  
tal Palace Collection. Posted at mocoloco.com on May 9,  
2005.\*

James R. Modor, Strass Crystal Mini Pendant Chandelier.  
Item #55672 from Lamps Plus. Found online at lampsplus.  
com on Aug. 11, 2005.\*

James R. Moder, Sapphire Mini Pendant Chandelier. Item  
#55666 from Lamps Plus. Found online at lampsplus.com  
on Aug. 11, 2005.\*

Swarovski Components (c) 2001, Crystal in a New Light  
(Classic Section), At 8116, New Strass Octagon, p. 17.

Florida Design, vol. 11 No. 3, p. 296.  
Swarovski (c) 2002, Crystal Perspectives, Atlas Moon, p.  
16.

Swarovski (c) 2002, Crystal Perspectives, Various Down-  
lights & Spots, p. 17.

Faustig Catalog No. 491, p. 44, 1992.

Faustig Catalog No. 492, p. 45, 1992.

(Continued)

*Primary Examiner*—Clare E Heflin

(74) *Attorney, Agent, or Firm*—Heslin Rothenberg Farley  
& Mesiti P.C.

(57) **CLAIM**

The ornamental design for a light fixture, as shown and  
described.

**DESCRIPTION**

This application is related to commonly assigned Applica-  
tion No. 10/757,623 filed Jan. 14, 2004, now pending, and  
to commonly assigned, concurrently filed Application No.  
29/221,185, Application No. 29/221,153, Application No.  
29/221,154 and Application No. 29/221,155, the full disclo-  
sures of which are incorporated by reference herein.

FIG. 1 is an isometric view of a first embodiment of the light  
fixture of the present invention;

FIG. 2 is a front elevation view thereof, the side and rear  
elevation views being identical thereto;

FIG. 3 is an enlarged top plan view thereof;

FIG. 4 is an enlarged bottom plan view thereof; and

FIG. 5 is a bottom plan view of a second embodiment  
thereof incorporating the same trim in a larger fixture.

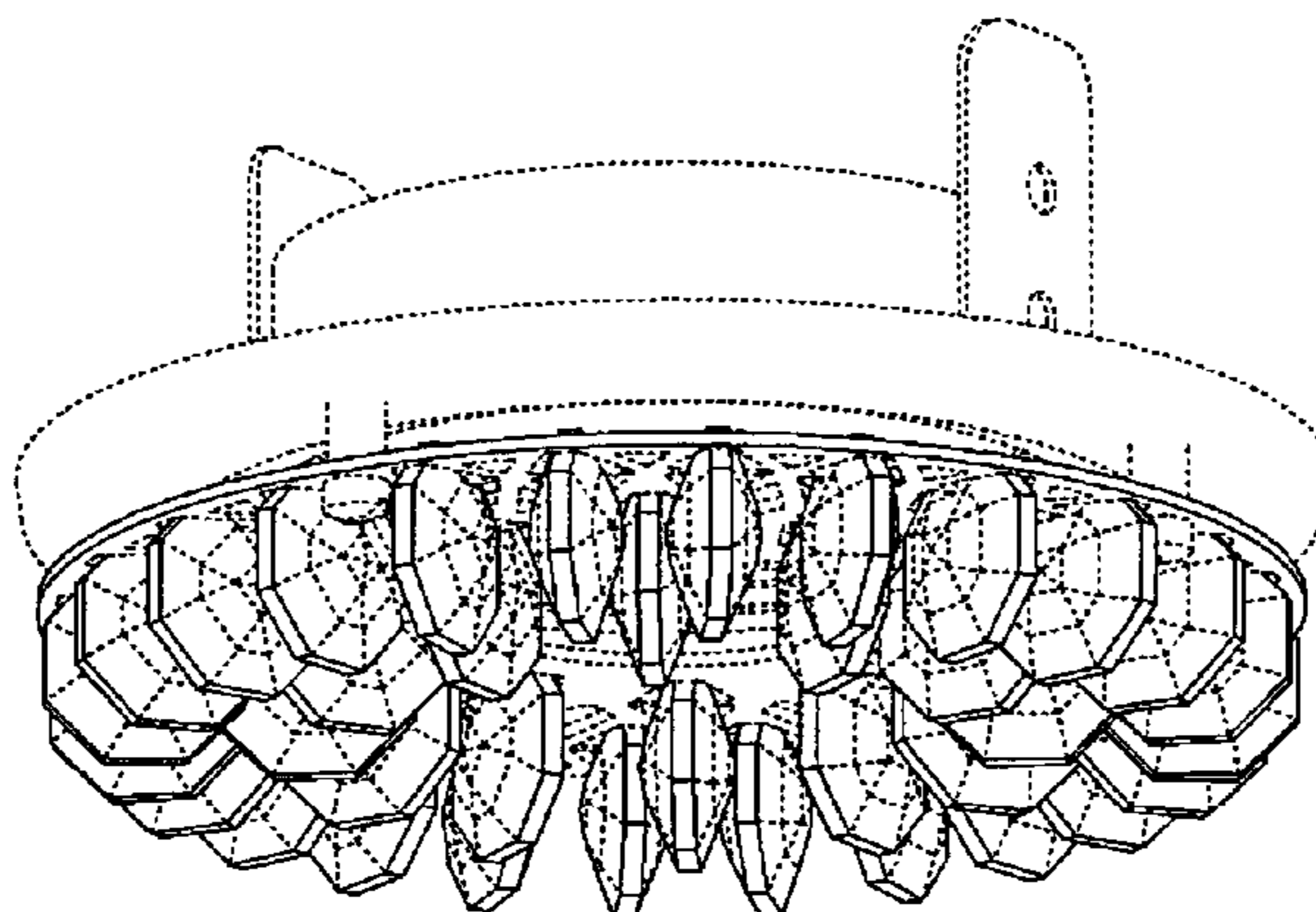
FIG. 6 is an isometric view of a third embodiment incor-  
porating the same trim in a two tier fixture;

FIG. 7 is an isometric view of a fourth embodiment incor-  
porating the same trim in a three tier fixture; and,

FIG. 8 is a top plan view of a fifth embodiment incorporat-  
ing a different number of ornaments in each ring but otherwise  
appearing the same as the first embodiment.

The broken line showing is for illustrative purposes only and  
forms no part of the claimed invention.

**1 Claim, 8 Drawing Sheets**



U.S. PATENT DOCUMENTS

1,560,414 A \* 11/1925 De Haan ..... 63/32  
3,619,599 A \* 11/1971 Hermanson ..... 362/250  
3,943,353 A \* 3/1976 Tada ..... 362/404  
5,109,325 A \* 4/1992 Bayer et al. .... 362/433  
5,116,009 A \* 5/1992 Bayer ..... 248/303  
5,144,541 A \* 9/1992 Schonbek ..... 362/405  
5,222,805 A \* 6/1993 Schonbek et al. .... 362/405  
5,241,460 A \* 8/1993 Schonbek ..... 362/405  
5,285,364 A \* 2/1994 Bayer ..... 362/405  
5,567,046 A \* 10/1996 Lucas ..... 362/405  
5,906,430 A \* 5/1999 Bayer ..... 362/404  
5,921,668 A \* 7/1999 Bayer ..... 362/404

6,921,186 B1 \* 7/2005 Viskovich ..... 362/404  
2005/0172668 A1 \* 8/2005 Bayer et al. .... 63/28

OTHER PUBLICATIONS

Faustig Catalog No. 179, p. 30.  
Faustig Catalog No. 179, p. 108.  
Schonbek Portfolio 108, p. 52, 1980.  
Schonbek Portfolio 108, p. 67, 1980.  
Swarovski (c) 2002, Crystal Perspectives, Crystal Down-  
lights, p. 46.  
\* cited by examiner

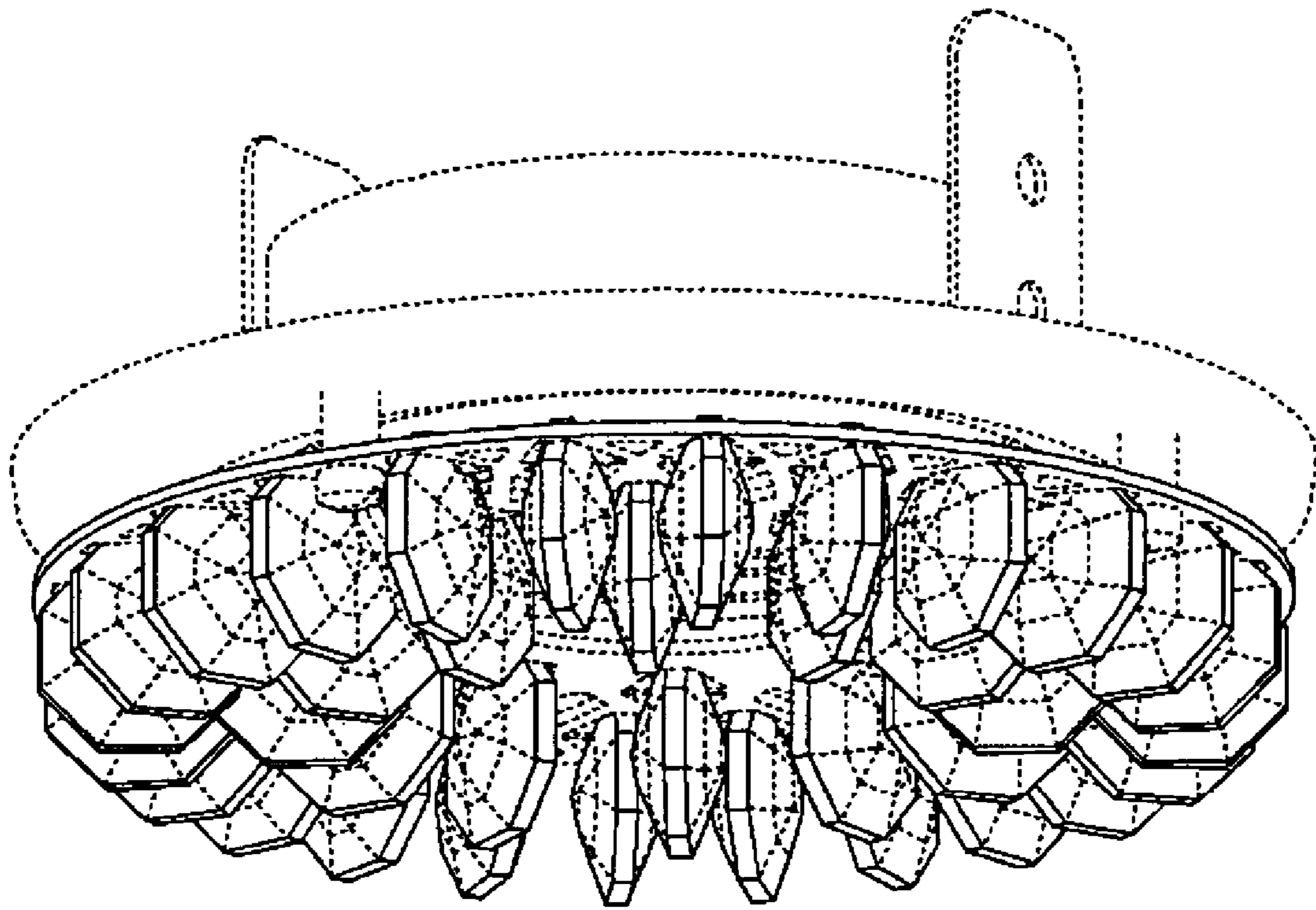


FIG. 1

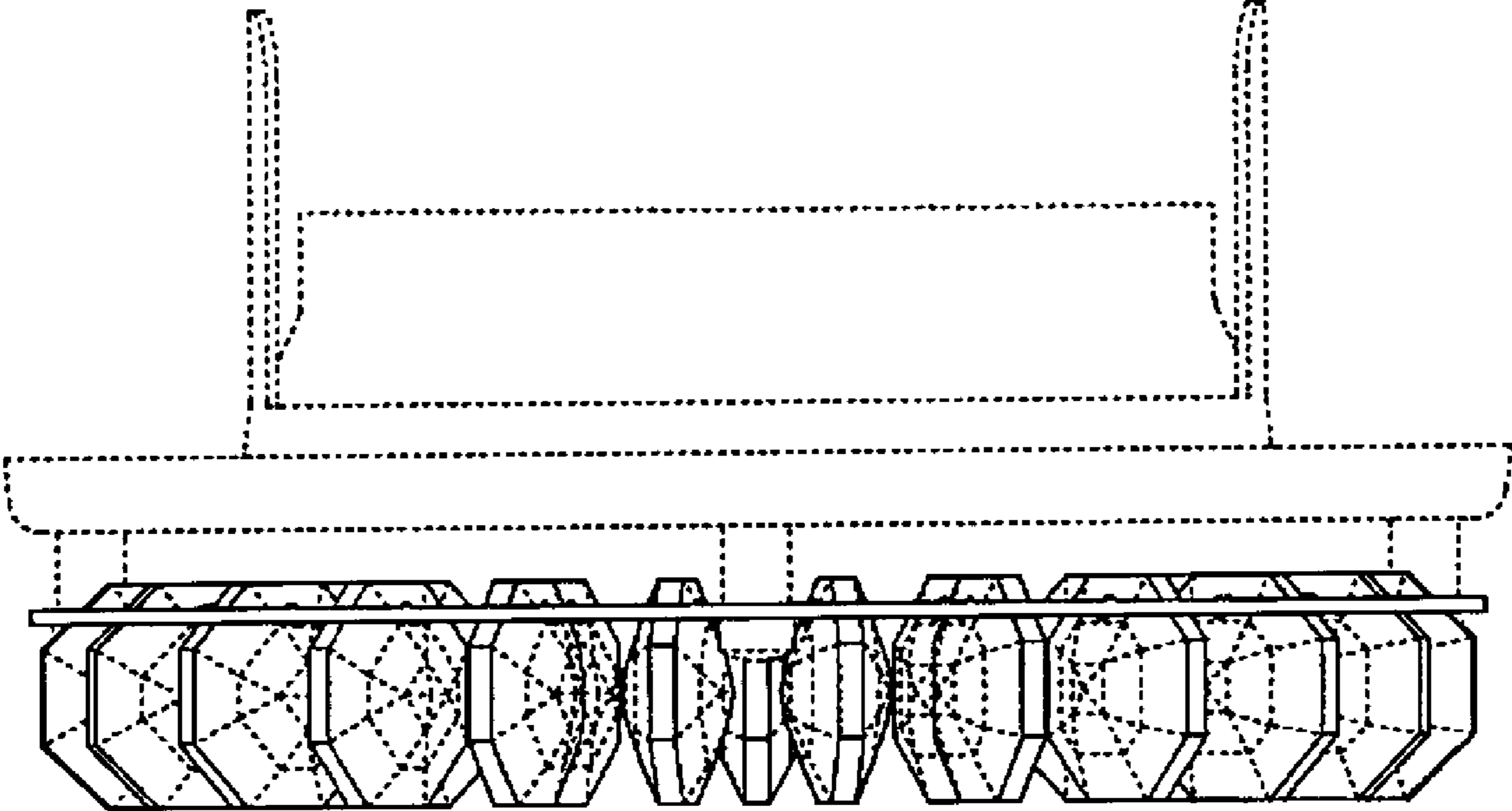


FIG. 2



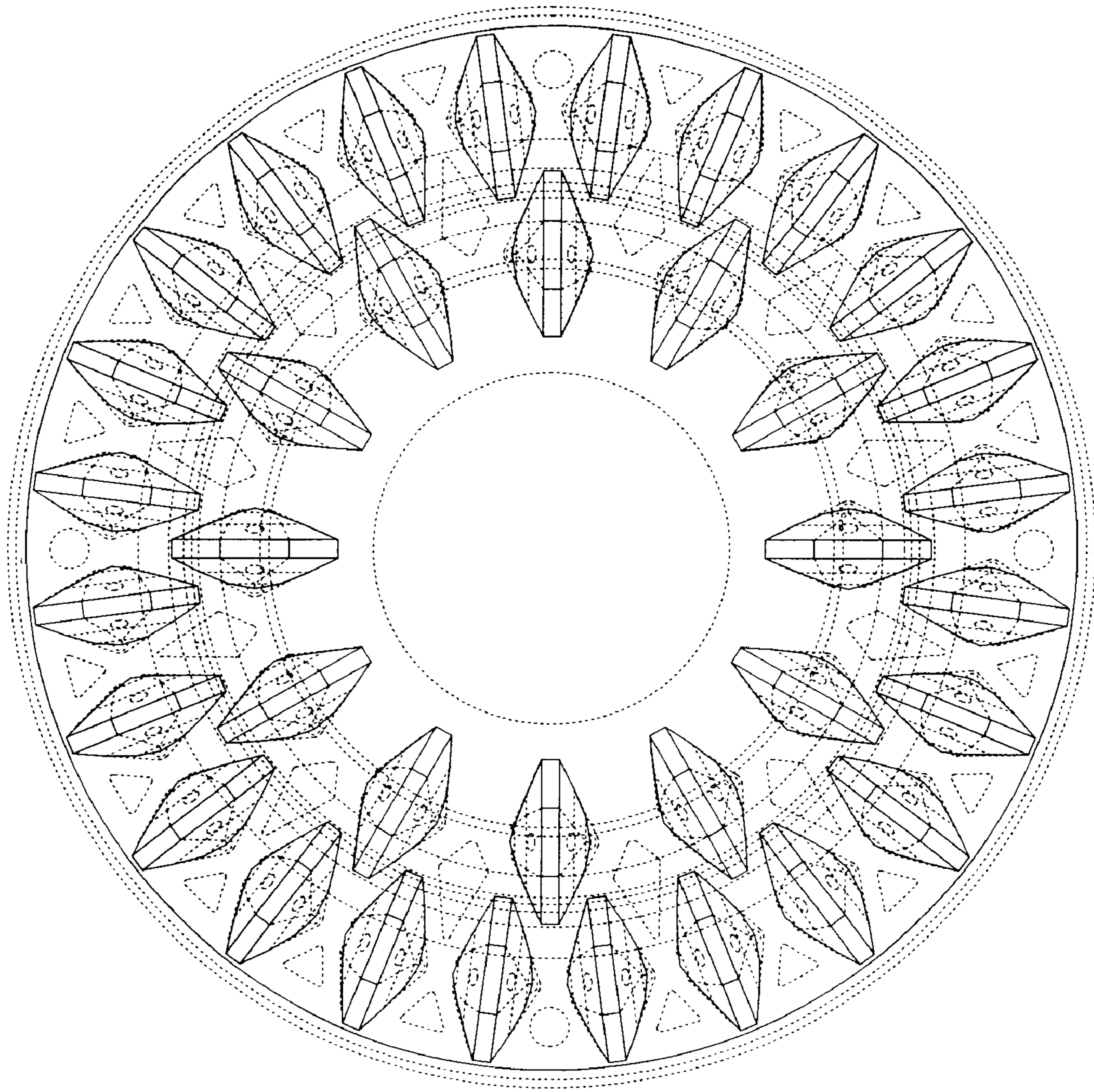


FIG. 3

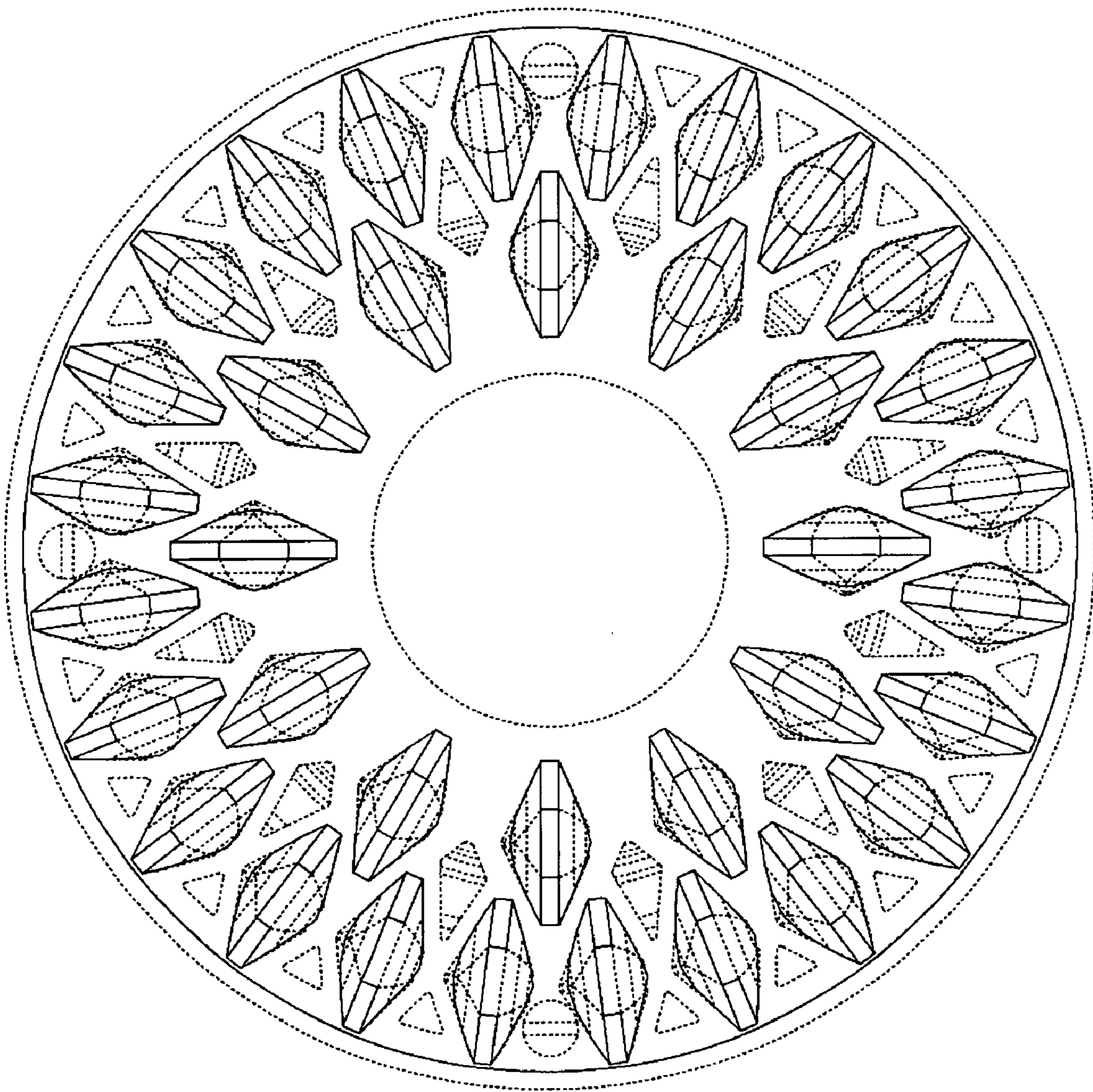


FIG. 4



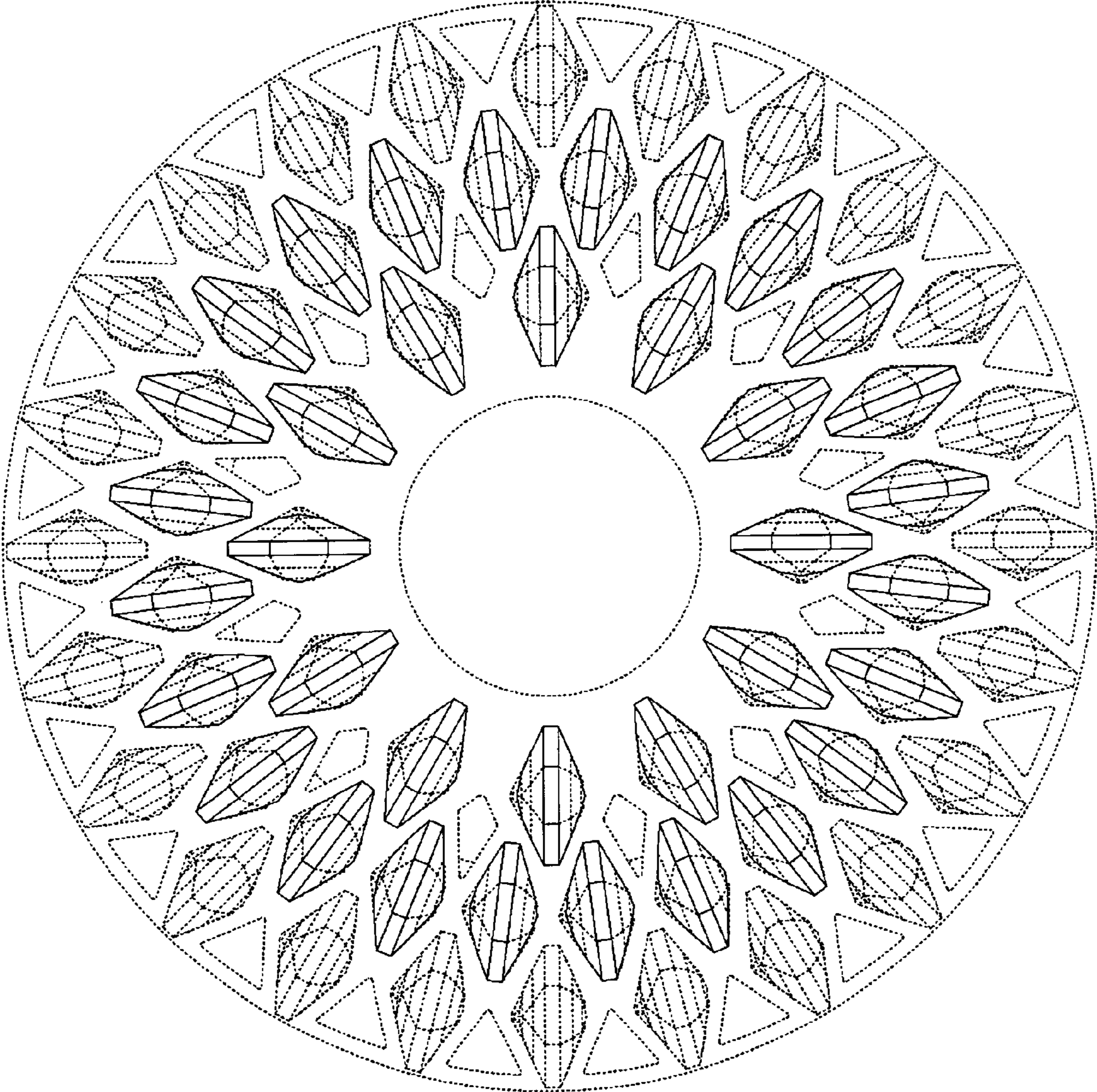


FIG. 5

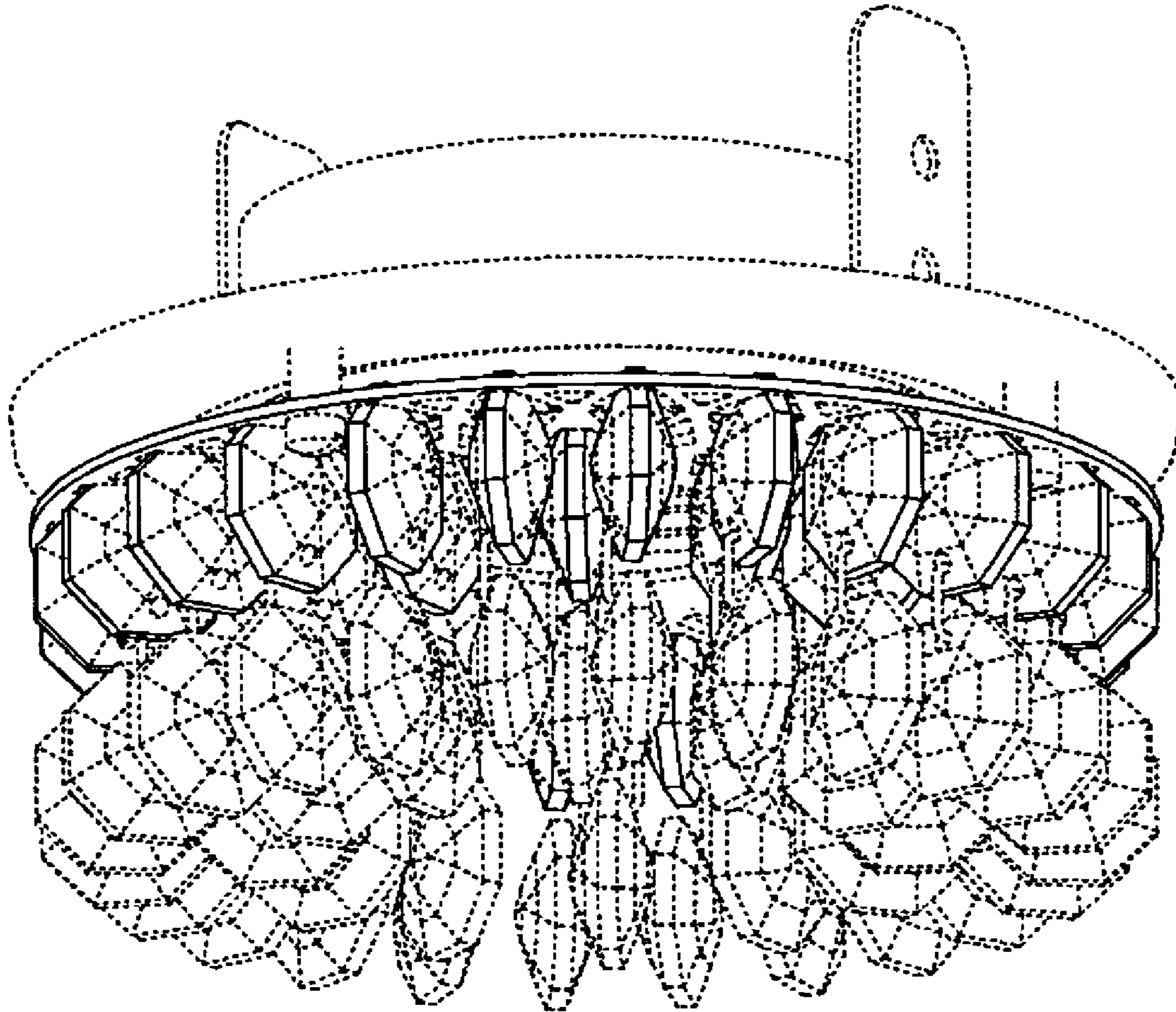


FIG. 6



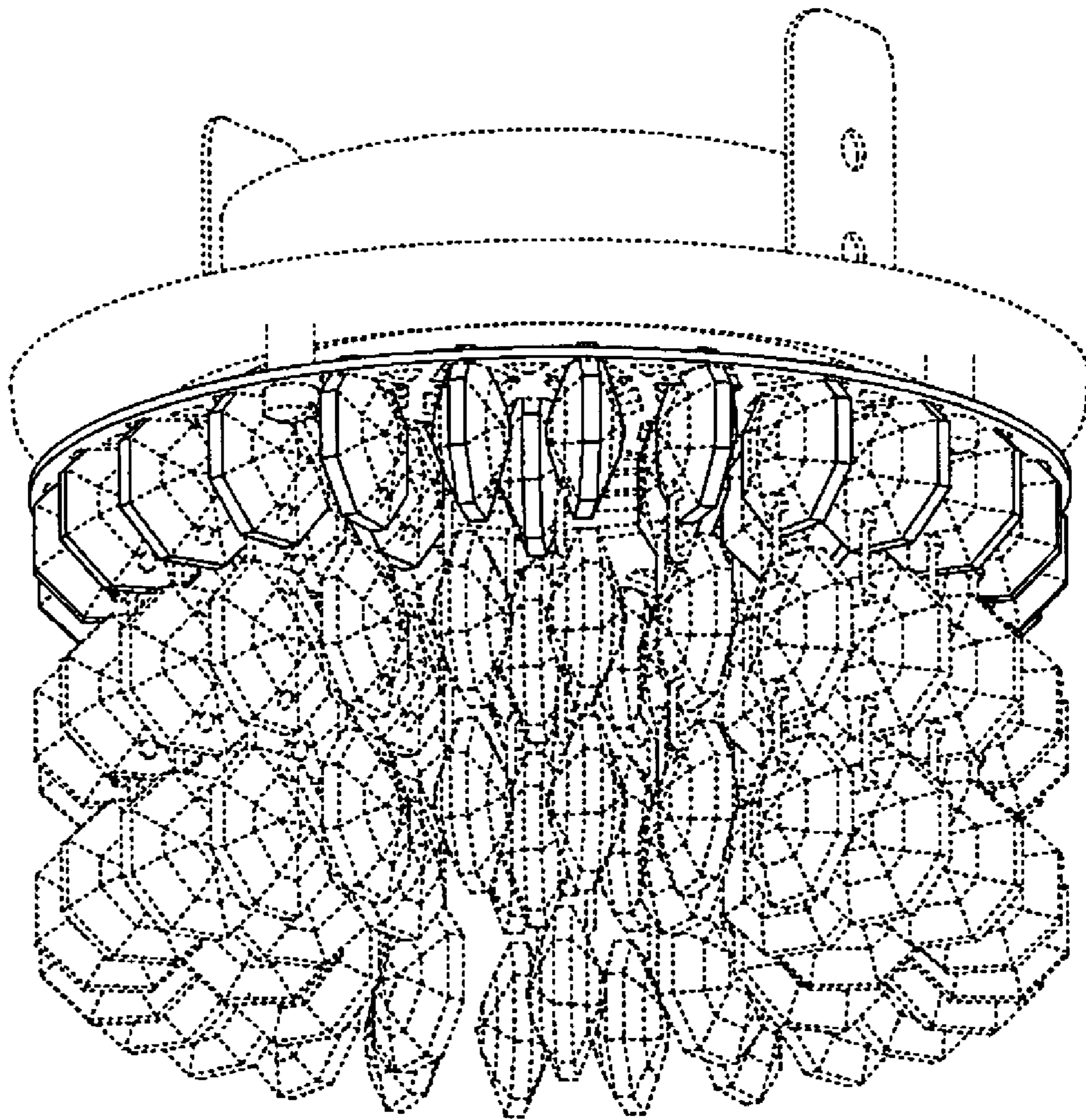


FIG. 7

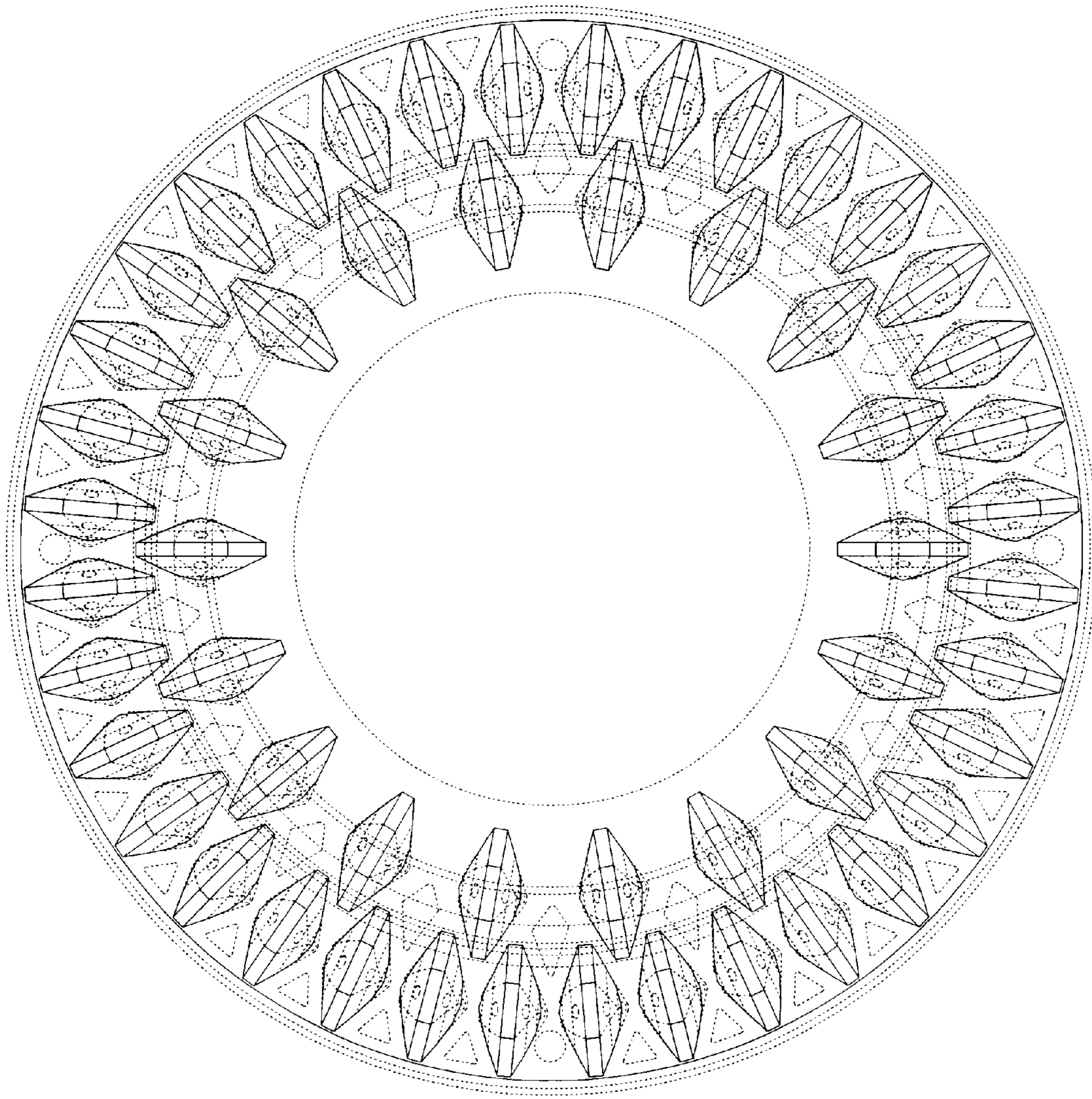


FIG. 8