



US00D524475S

(12) **United States Design Patent**  
**Randazzo et al.**

(10) **Patent No.:** **US D524,475 S**

(45) **Date of Patent:** **\*\* Jul. 4, 2006**

(54) **LIGHTING FIXTURE**

(75) Inventors: **Larry G. Randazzo**, Brea, CA (US);  
**Cory W. Landefeld**, Long Beach, CA (US)

(73) Assignee: **Hubbell Incorporated**, Orange, CT (US)

(\*\*) Term: **14 Years**

(21) Appl. No.: **29/227,956**

(22) Filed: **Jan. 26, 2005**

**Related U.S. Application Data**

(62) Division of application No. 29/215,700, filed on Oct. 25, 2004.

(51) **LOC (8) Cl.** ..... **26-05**

(52) **U.S. Cl.** ..... **D26/71; D26/92**

(58) **Field of Classification Search** ..... D26/67-72,  
D26/87, 92, 118; 362/152, 153, 153.1, 159,  
362/183, 266, 363, 431, 432

See application file for complete search history.

(56) **References Cited**

**U.S. PATENT DOCUMENTS**

D39,285 S	4/1908	Verbeck	
D60,560 S	3/1922	Mohrmann	
D60,561 S	3/1922	Mohrmann	
D97,423 S	* 11/1935	Werring	D26/67
2,066,631 A	* 1/1937	Le Gorre	362/303
2,630,538 A	3/1953	Brede	
D199,801 S	* 12/1964	Turner et al.	D26/67
D208,325 S	* 8/1967	Bobrick	D26/67
D210,798 S	4/1968	Hewson	
3,433,941 A	3/1969	Hall	
D218,985 S	10/1970	Anderson	
D226,535 S	3/1973	Anderson	
D319,703 S	9/1991	Hazerjian et al.	

D325,963 S	* 5/1992	Anderson	D23/342
5,124,900 A	6/1992	Varey	
D328,502 S	* 8/1992	Hartman	D26/68
D403,463 S	12/1998	Wallace	
D411,896 S	7/1999	Houston	
D427,349 S	* 6/2000	Landefeld	D26/67
D518,221 S	* 3/2006	Randazzo et al.	

\* cited by examiner

*Primary Examiner*—Clare E Heflin

(74) *Attorney, Agent, or Firm*—Michael E. Stimson; Alfred N. Goodman; Mark S. Bicks

(57) **CLAIM**

The ornamental design for a lighting fixture, as shown and described.

**DESCRIPTION**

FIG. 1 is a perspective view of a lighting fixture adapted to be mounted on an overhead wall bracket in accordance with a first embodiment of the present invention;

FIG. 2 is a side elevational view of the lighting fixture illustrated in FIG. 1;

FIG. 3 is a top plan view of the lighting fixture illustrated in FIGS. 1 and 2;

FIG. 4 is a bottom plan view of the lighting fixture illustrated in FIGS. 1-3;

FIG. 5 is a perspective view of a lighting fixture adapted to be mounted as a vertical pendent in accordance with a second embodiment of the present invention;

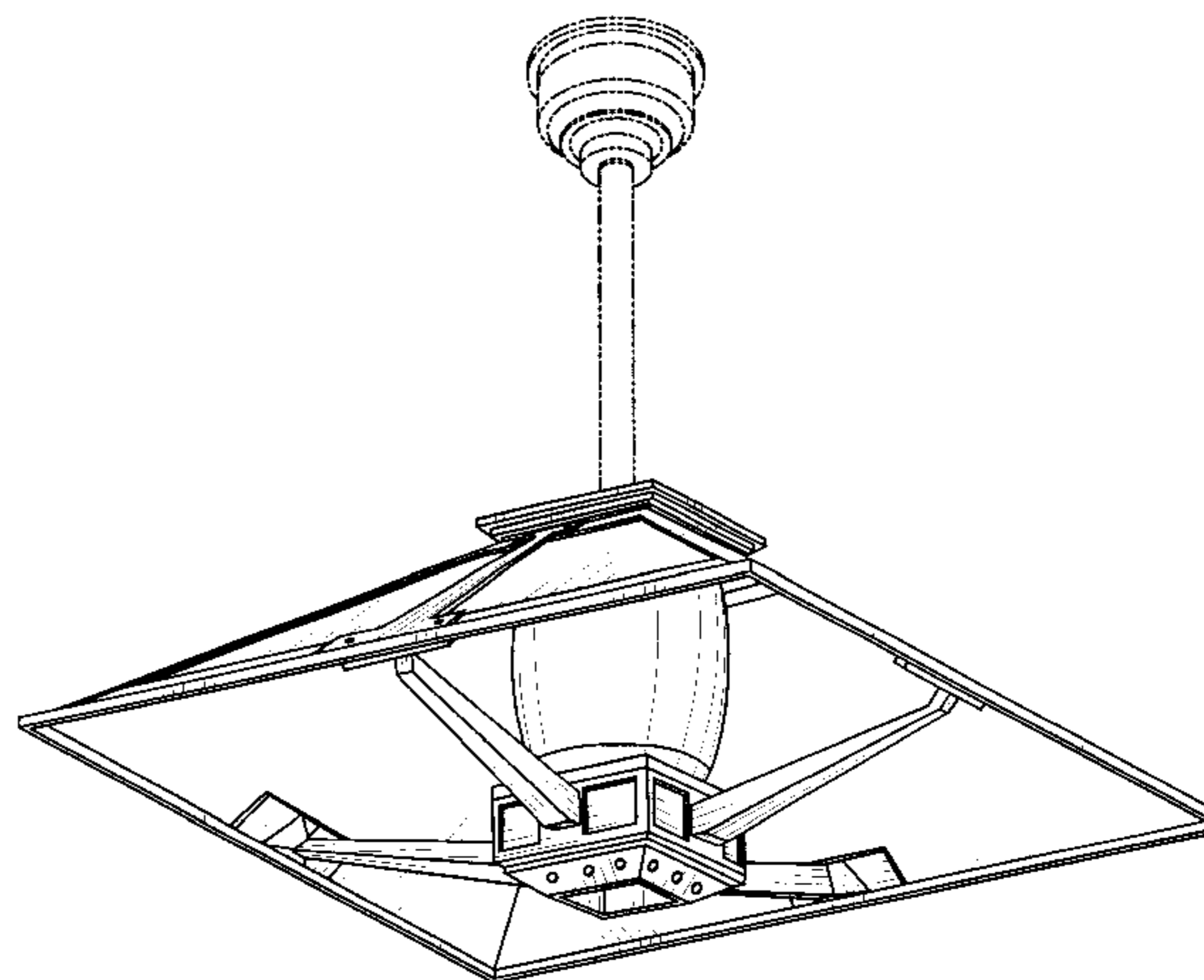
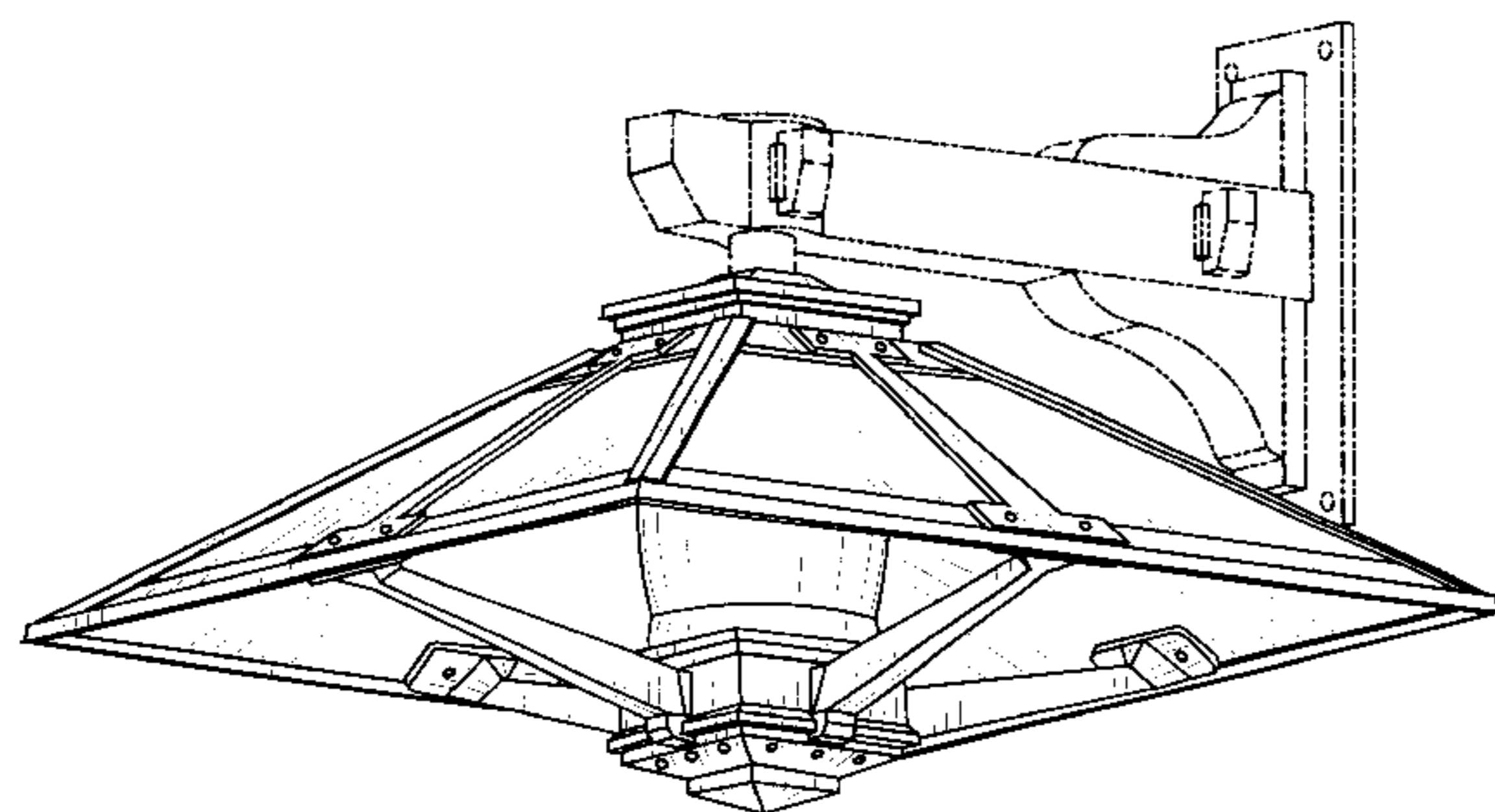
FIG. 6 is a side elevational view of the lighting fixture illustrated in FIG. 5;

FIG. 7 is a top plan view of the lighting fixture illustrated in FIGS. 5 and 6; and,

FIG. 8 is a bottom plan view of the lighting fixture illustrated in FIGS. 5-7.

The broken lines are shown for illustrative purposes only and form no part of the claimed design.

**1 Claim, 6 Drawing Sheets**



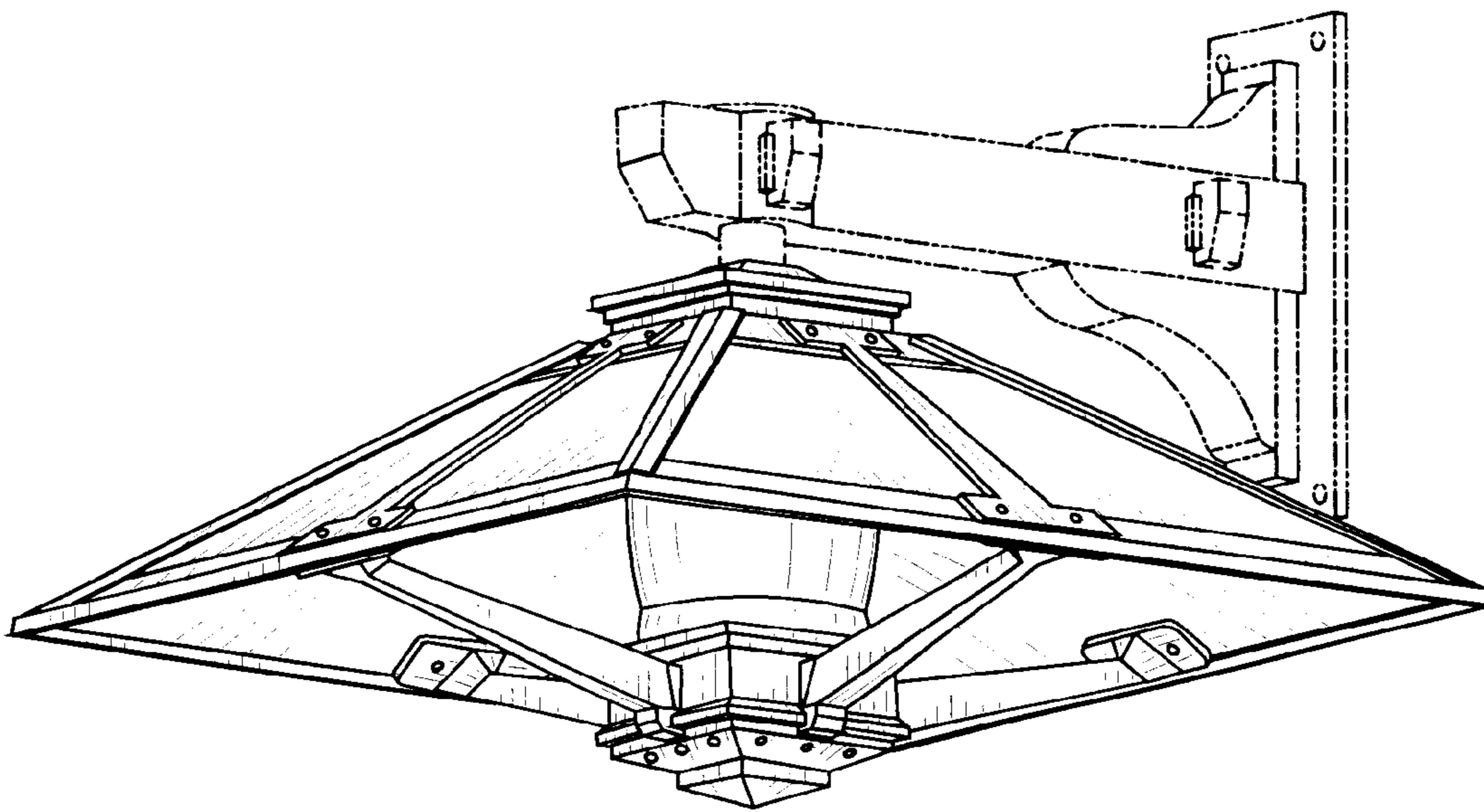


FIG. 1

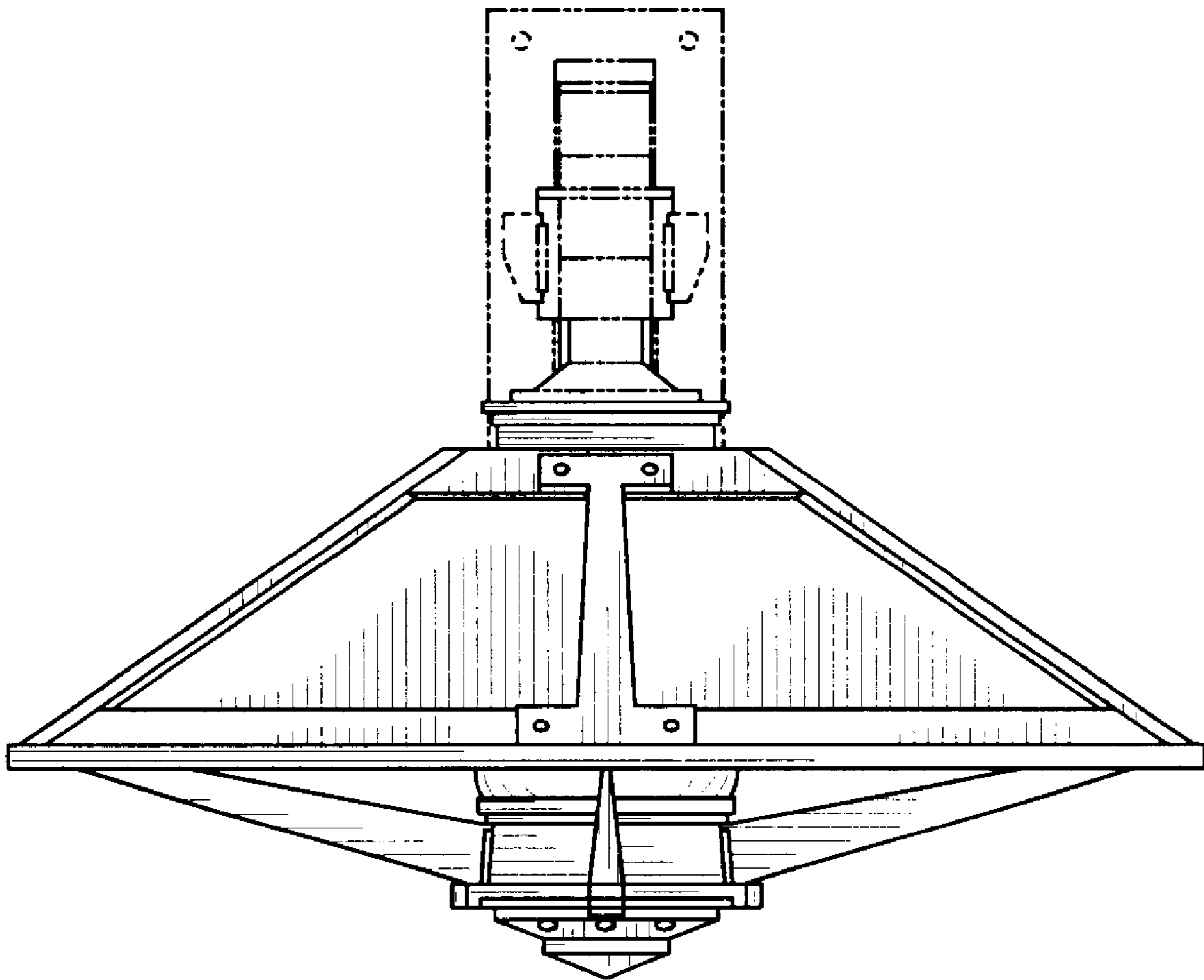


FIG. 2

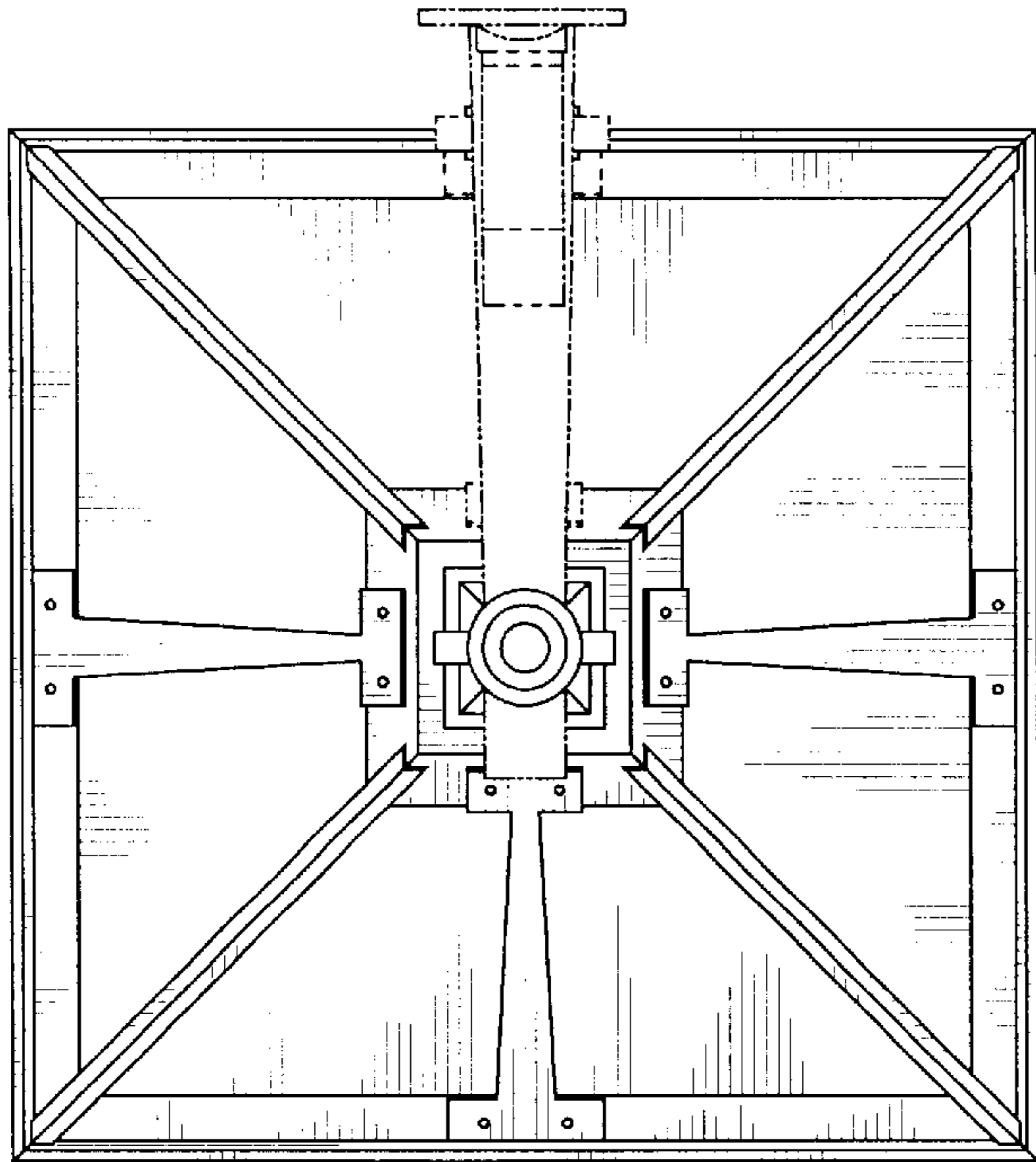
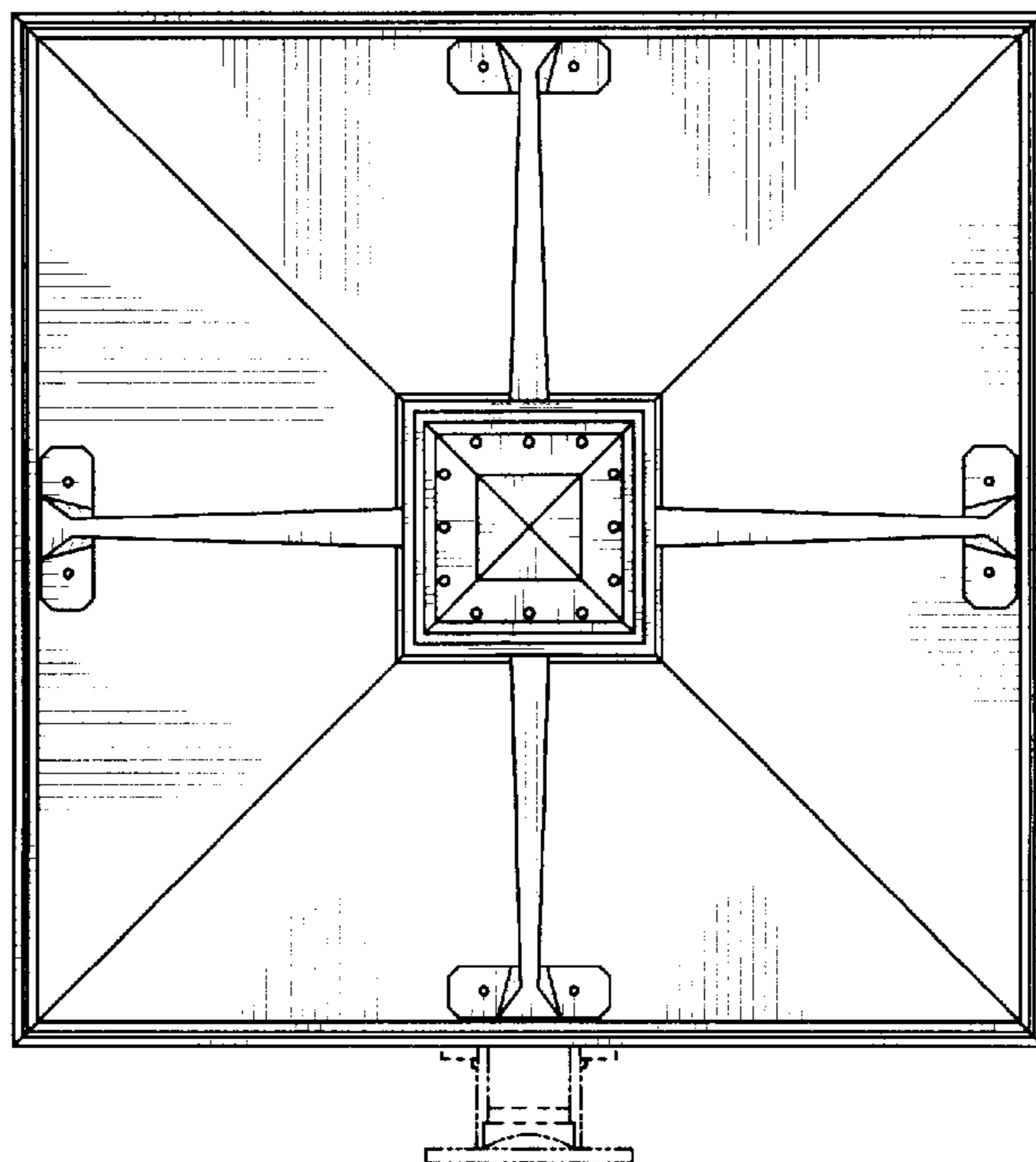


FIG. 3

FIG. 4



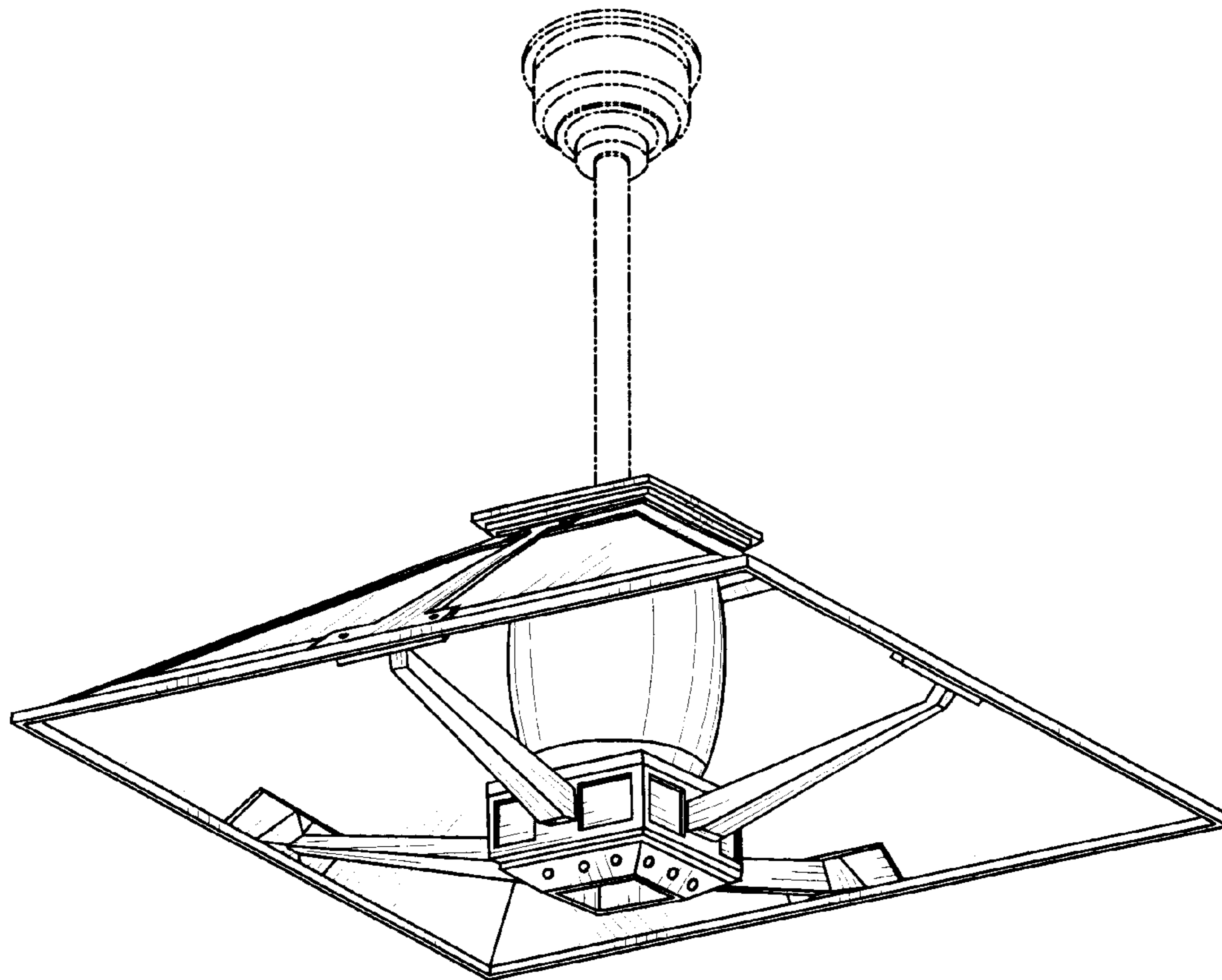


FIG. 5

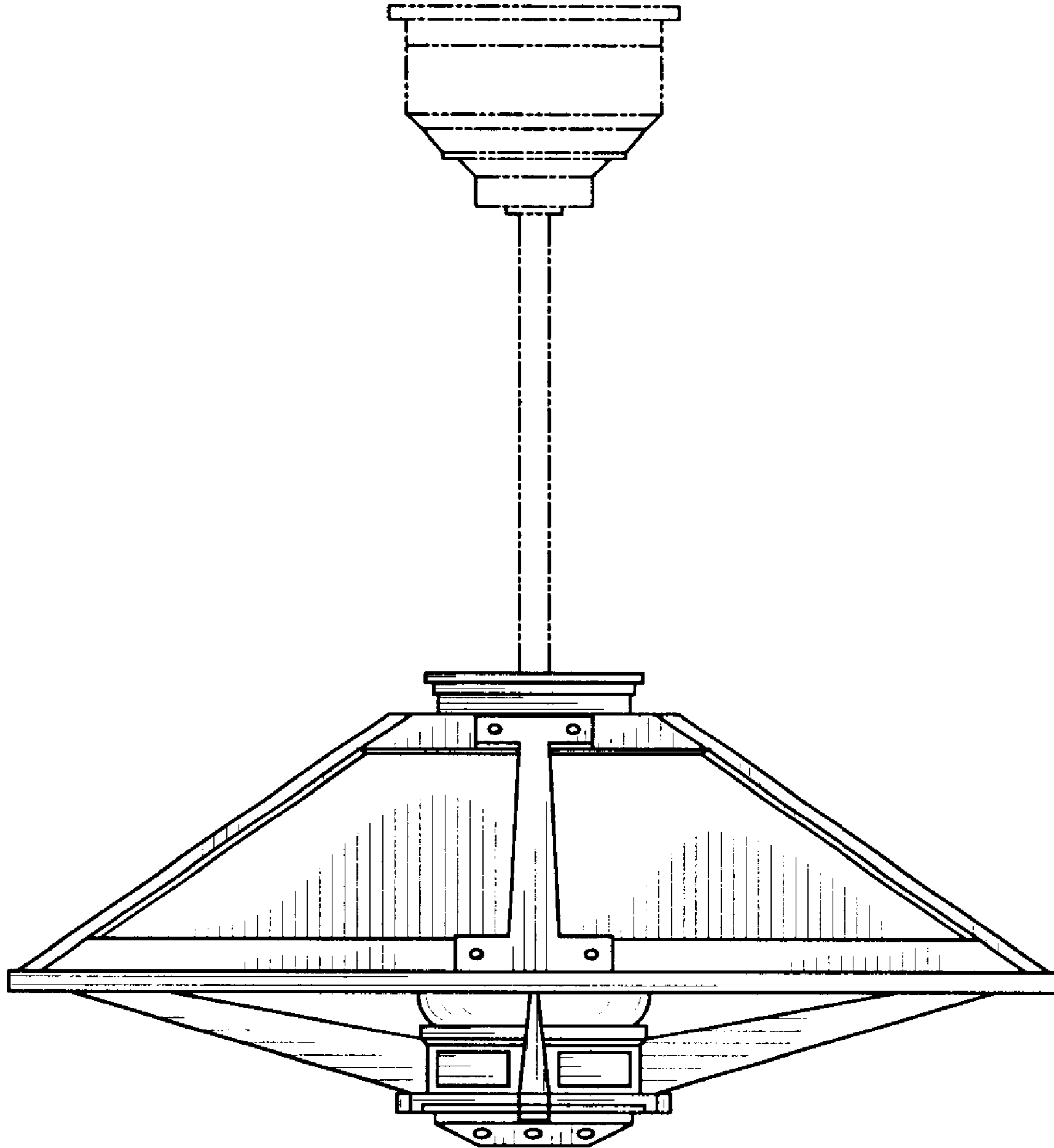


FIG. 6

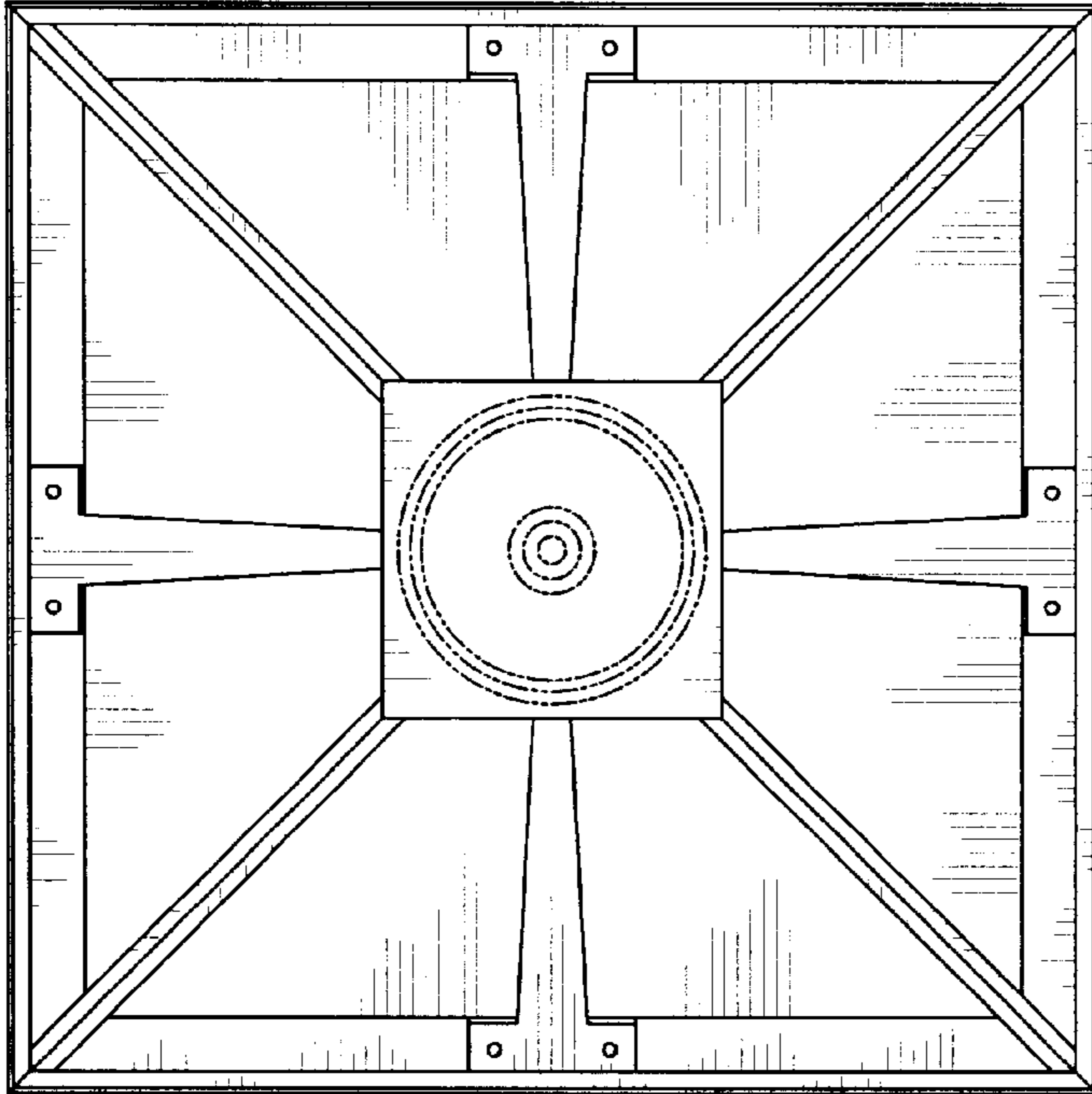


FIG. 7

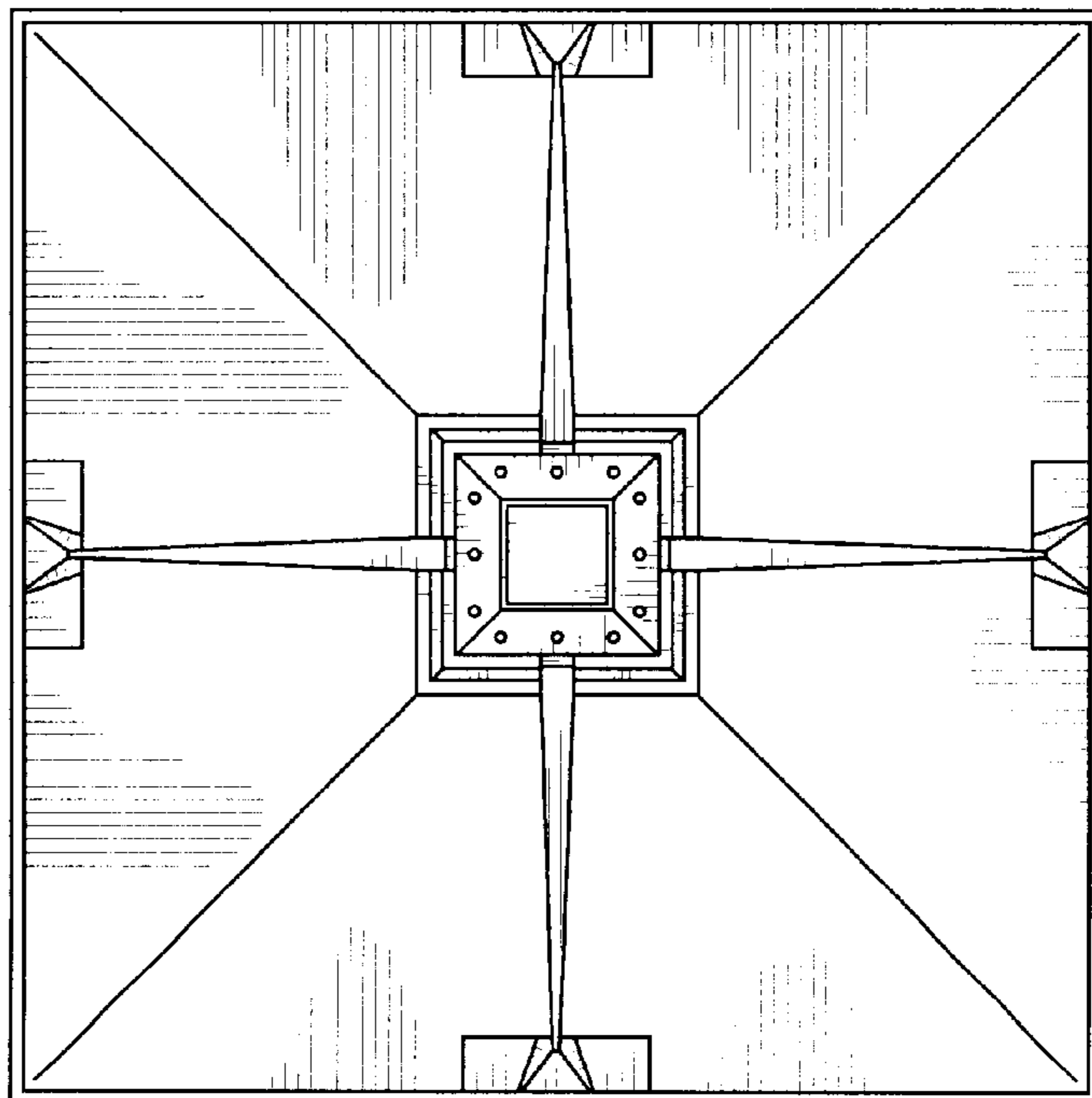


FIG. 8