

US00D524471S

(12) **United States Design Patent**  
**Yuen**

(10) **Patent No.:** **US D524,471 S**

(45) **Date of Patent:** **\*\* Jul. 4, 2006**

(54) **PORTABLE MULTI-FUNCTION  
RECHARGEABLE SEARCHLIGHT**

D430,323 S \* 8/2000 Yuen ..... D26/46  
D453,047 S \* 1/2002 Yuen ..... D26/44  
D494,297 S \* 8/2004 Yuen ..... D26/46

(76) Inventor: **Se Kit Yuen**, 6/F., Yau Lee Centre, 45  
Hoi Yuen Rd, Kwun Tong, Kowloon  
(HK)

\* cited by examiner

(\*\*) Term: **14 Years**

*Primary Examiner*—Marcus A. Jackson  
(74) *Attorney, Agent, or Firm*—Akerman Senterfitt

(21) Appl. No.: **29/229,410**

(57) **CLAIM**

(22) Filed: **May 6, 2005**

The ornamental design of a portable multi-function rechargeable searchlight, as shown and described.

(30) **Foreign Application Priority Data**

Feb. 21, 2005 (HK) ..... 0500346

**DESCRIPTION**

(51) **LOC (8) Cl.** ..... **26-02**

FIG. 1 is a perspective view of the portable multi-function rechargeable searchlight.

(52) **U.S. Cl.** ..... **D26/46**

FIG. 2 is a front view thereof.

(58) **Field of Classification Search** ..... D26/37-50;  
362/157, 158, 171-174, 183-208

FIG. 3 is a side view thereof.

See application file for complete search history.

FIG. 4 is an other side view thereof.

FIG. 5 is a top view thereof.

(56) **References Cited**

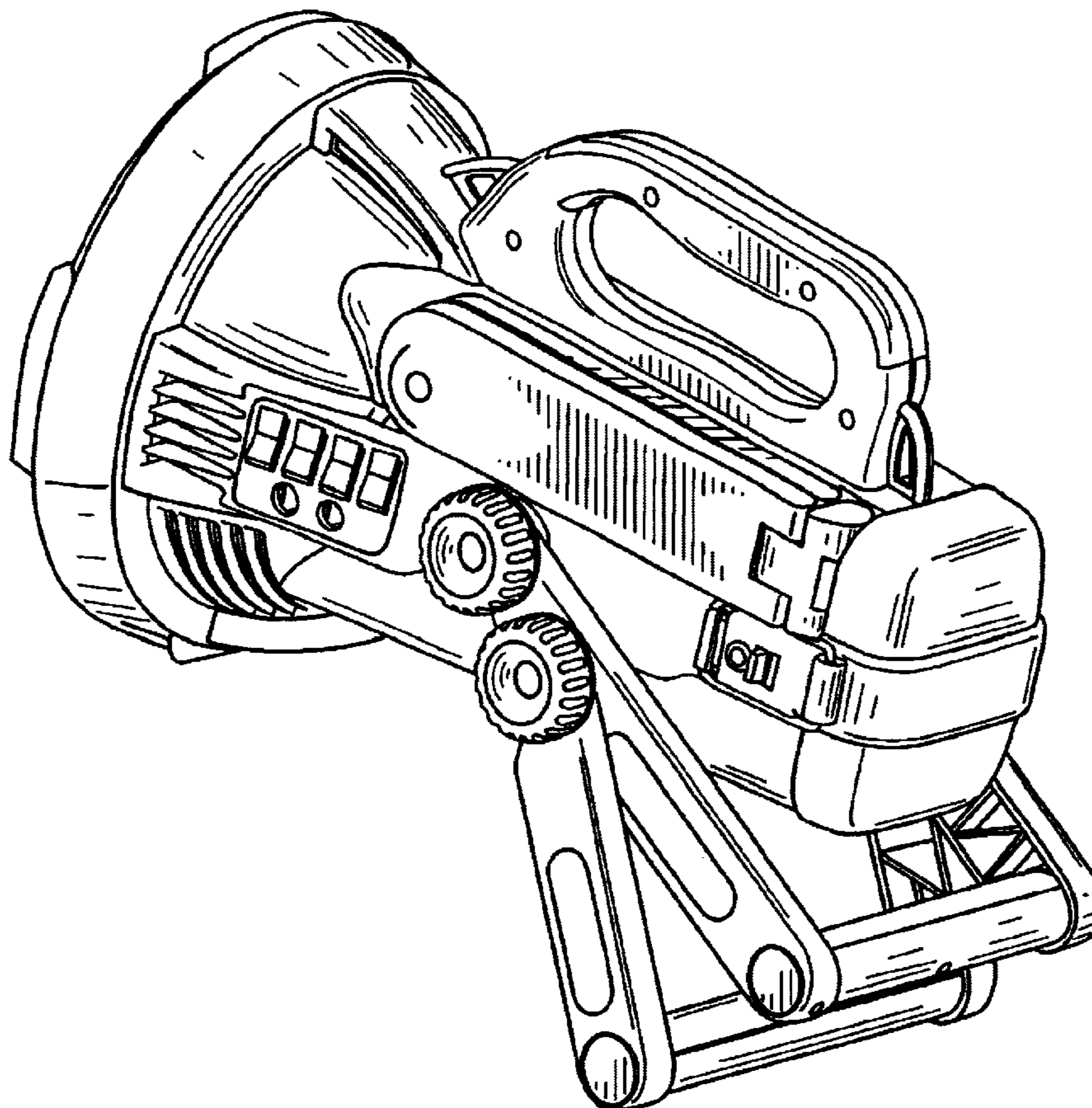
FIG. 6 is a bottom view thereof; and,

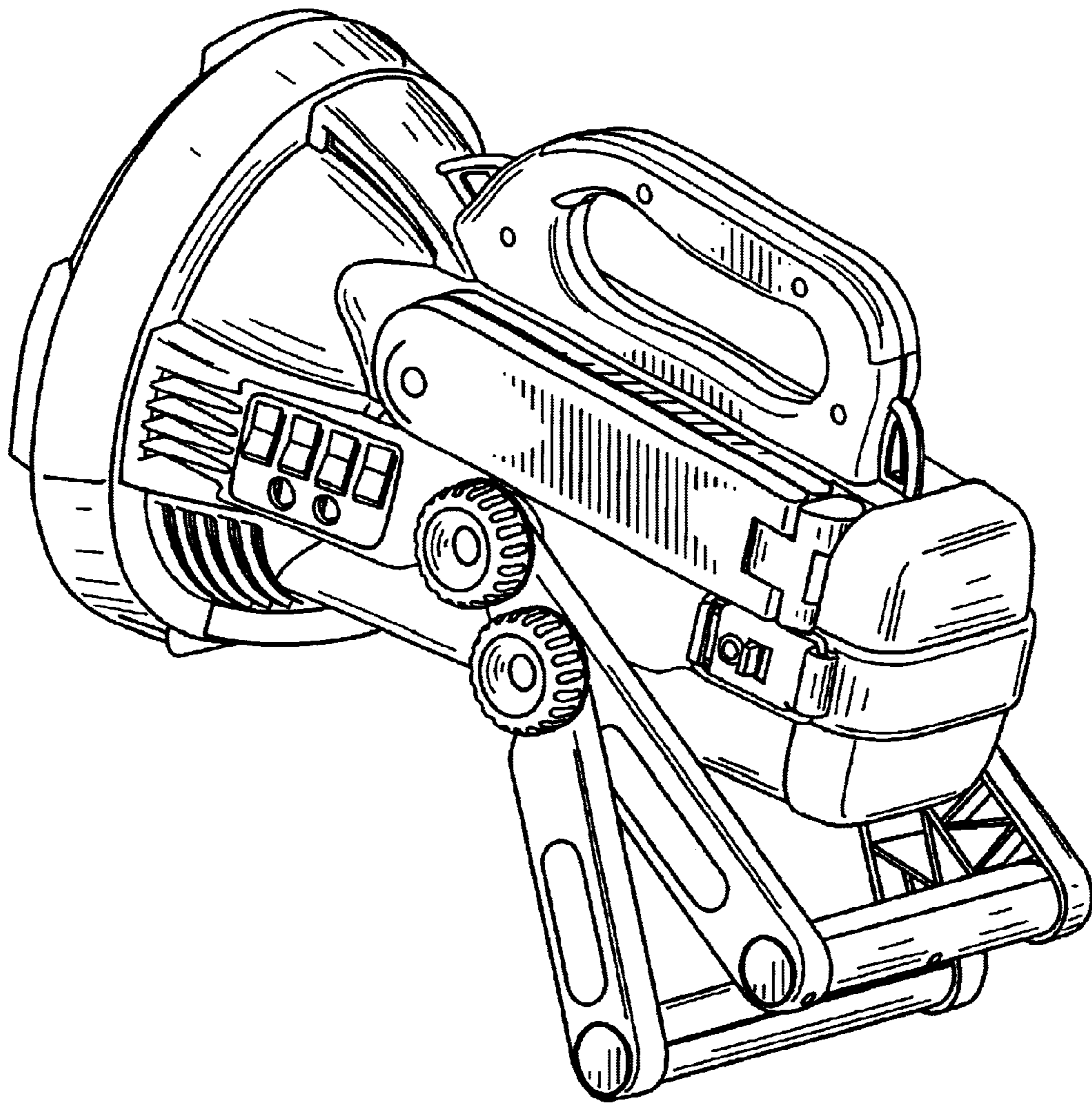
FIG. 7 is a rear view thereof.

**U.S. PATENT DOCUMENTS**

D425,229 S \* 5/2000 Poon ..... D26/46

**1 Claim, 5 Drawing Sheets**





**FIG. 1**

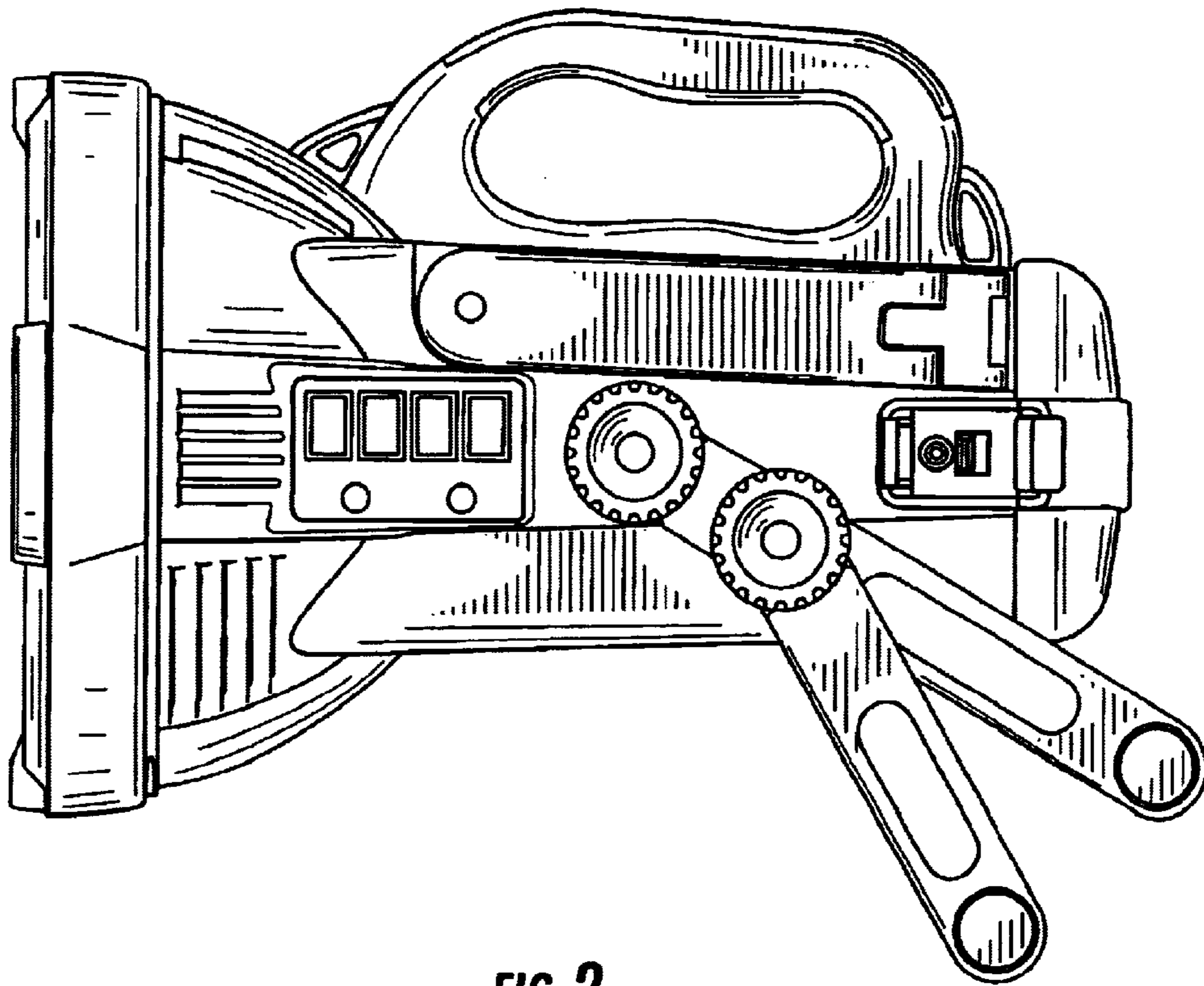
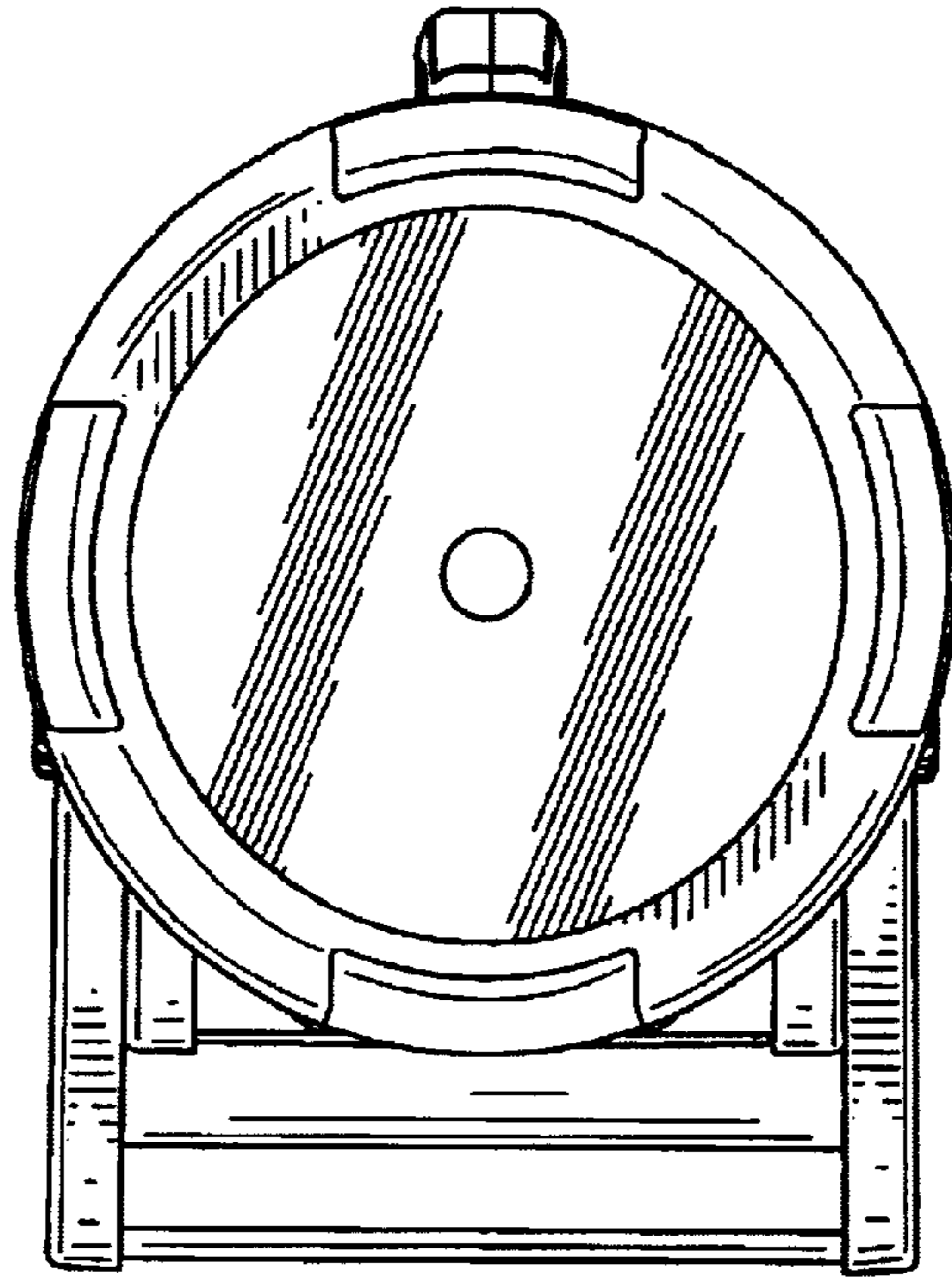
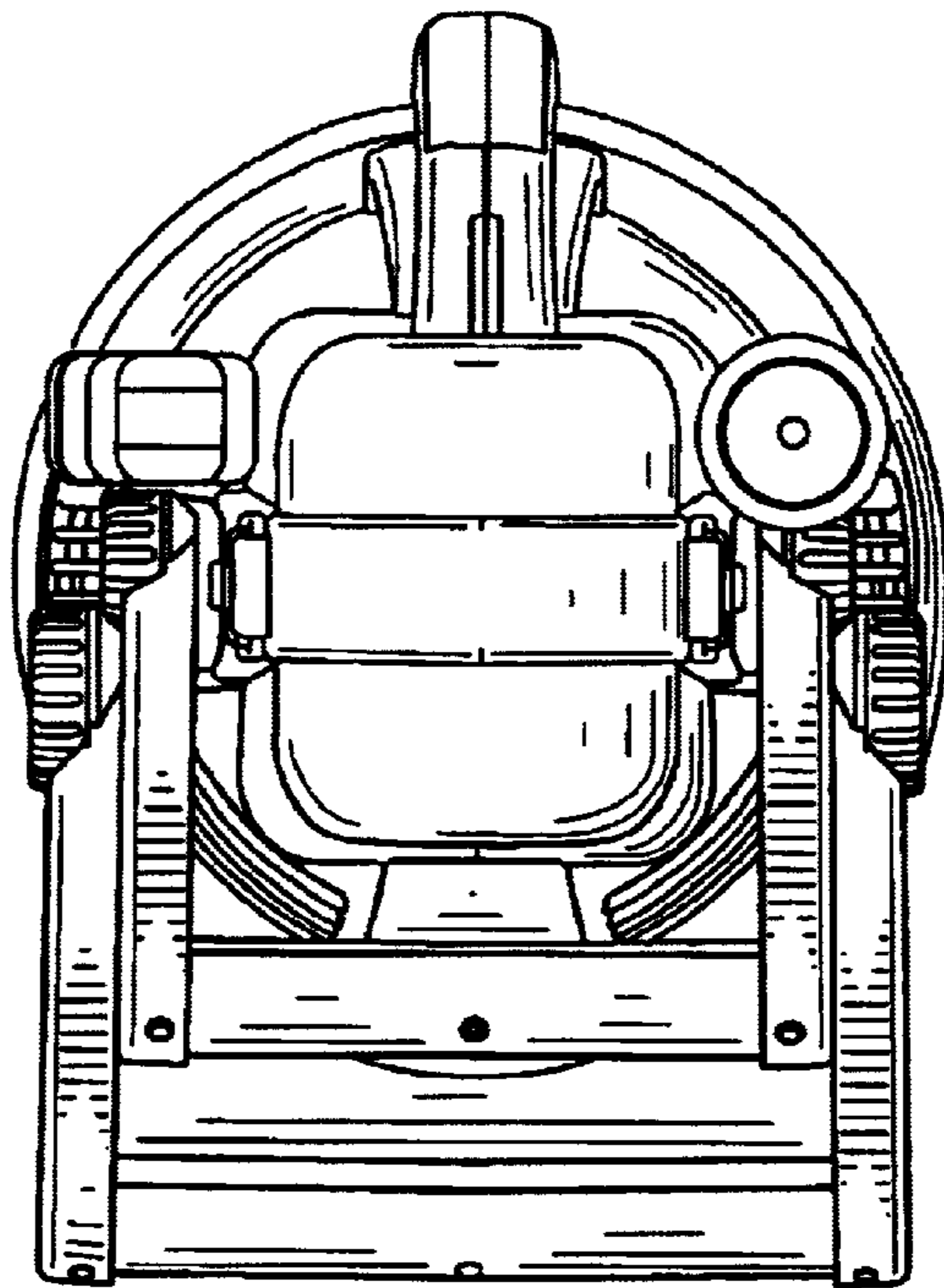


FIG. 2





**FIG. 3**



**FIG. 4**

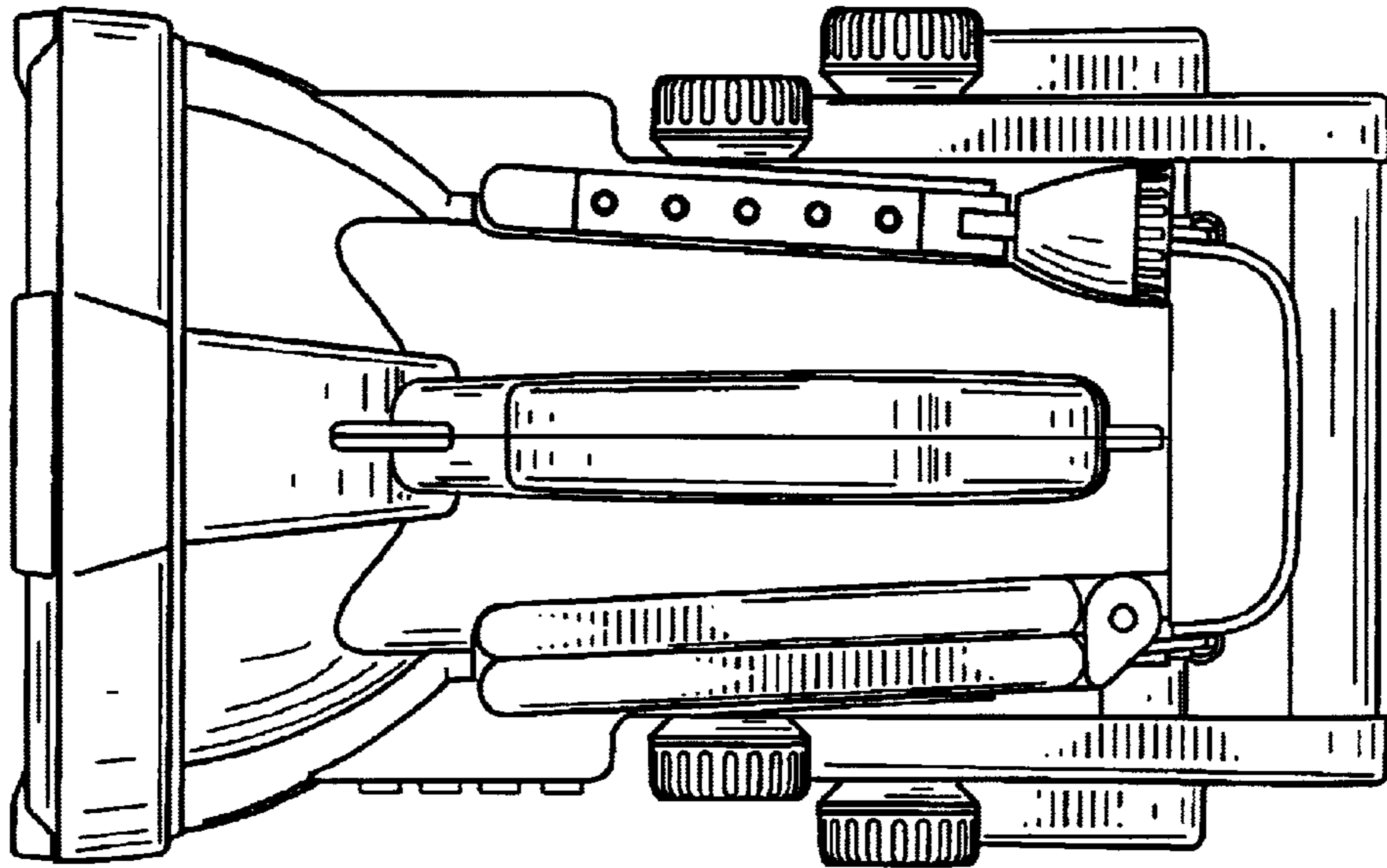


FIG. 5

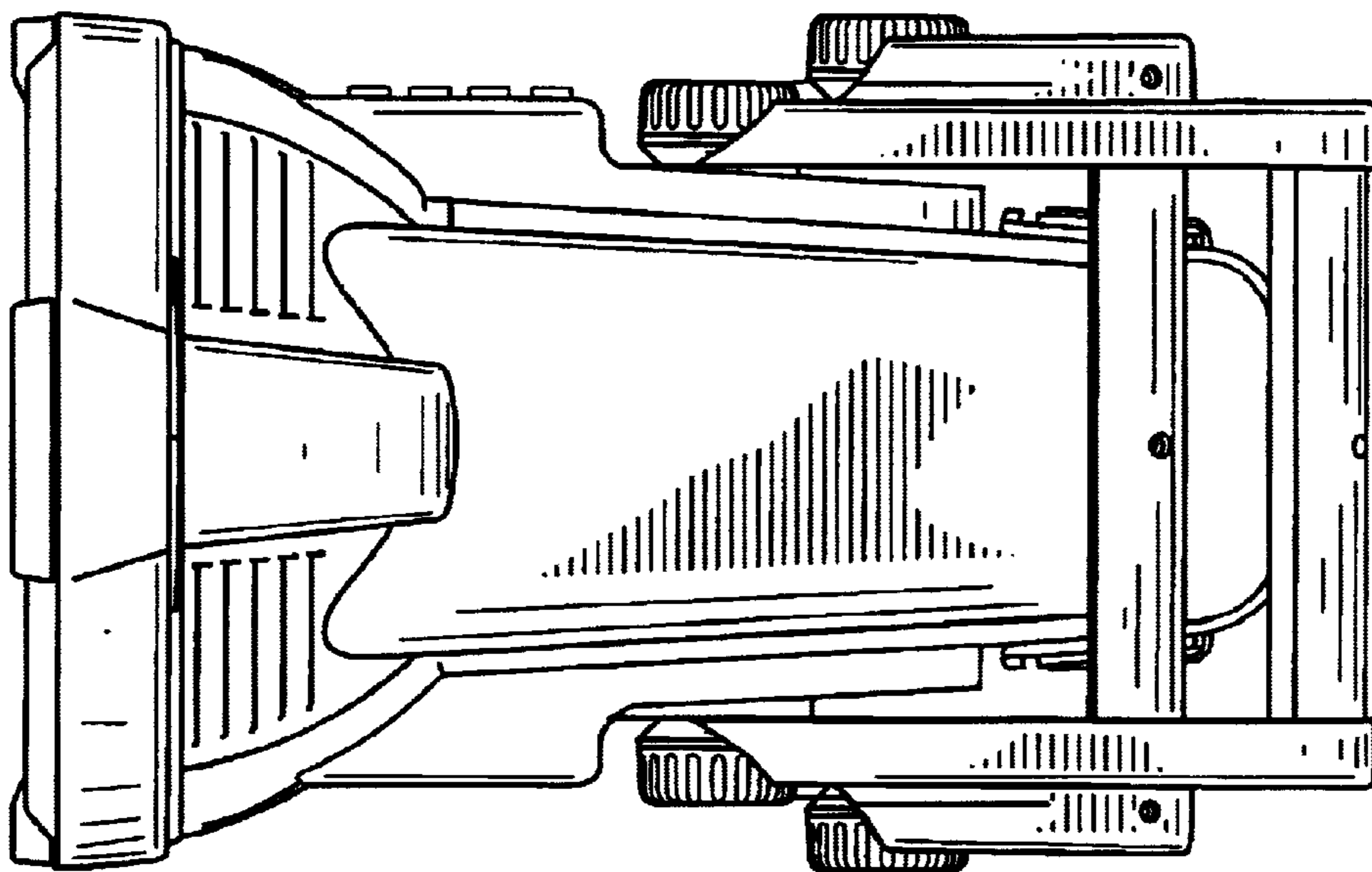
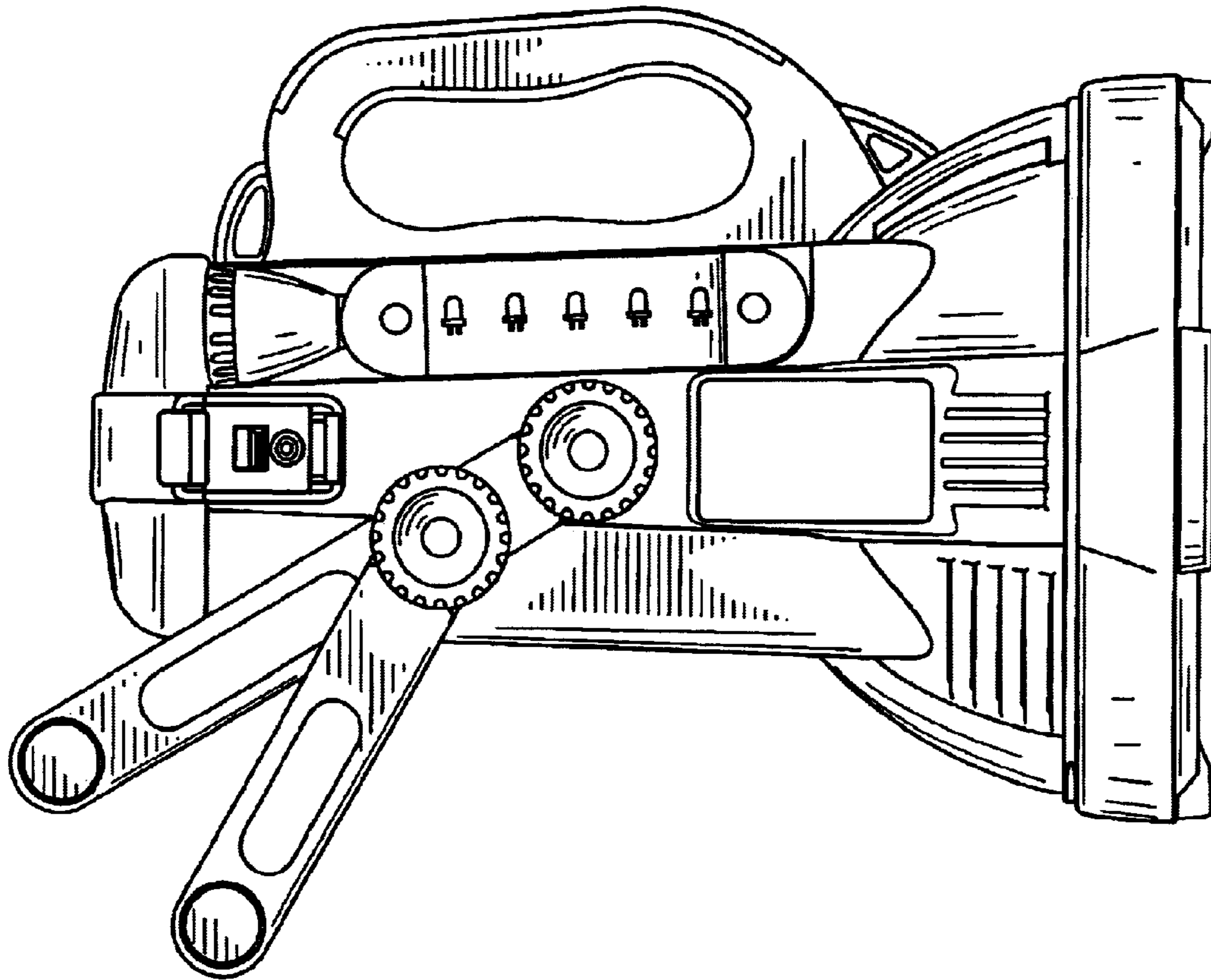


FIG. 6



**FIG. 7**