



US00D524467S

(12) **United States Design Patent**
Branstetter et al.

(10) **Patent No.:** **US D524,467 S**

(45) **Date of Patent:** **** Jul. 4, 2006**

(54) **OVAL SIDEMARKER LAMP**

D499,198 S * 11/2004 Cowan et al. D26/31

(75) Inventors: **Cary D. Branstetter**, Madison, IN
(US); **Newel Lloyd Stephens**, Madison,
IN (US)

* cited by examiner

Primary Examiner—Marcus A. Jackson
(74) *Attorney, Agent, or Firm*—Woodard, Enhardt,
Moriarty, McNett & Henry LLP

(73) Assignee: **Grote Industries, Inc.**, Madison, IN
(US)

(57) **CLAIM**

(**) Term: **14 Years**

The ornamental design for a oval sidemarker lamp, as shown
and described.

(21) Appl. No.: **29/229,664**

DESCRIPTION

(22) Filed: **May 10, 2005**

(51) **LOC (8) Cl.** **26-06**

FIG. 1 is a perspective plan view of our new oval sidemarker
lamp design.

(52) **U.S. Cl.** **D26/31**

FIG. 2 is a top plan view of our new oval sidemarker lamp
design.

(58) **Field of Classification Search** D26/28–36;
362/61, 80, 81, 82, 83, 267, 268, 269, 275,
362/330–340

FIG. 3 is a first side elevational view of our new oval
sidemarker lamp design.

See application file for complete search history.

FIG. 4 is a second side elevational view of our new oval
sidemarker lamp design.

(56) **References Cited**

FIG. 5 is a bottom plan view of our new oval sidemarker
lamp design.

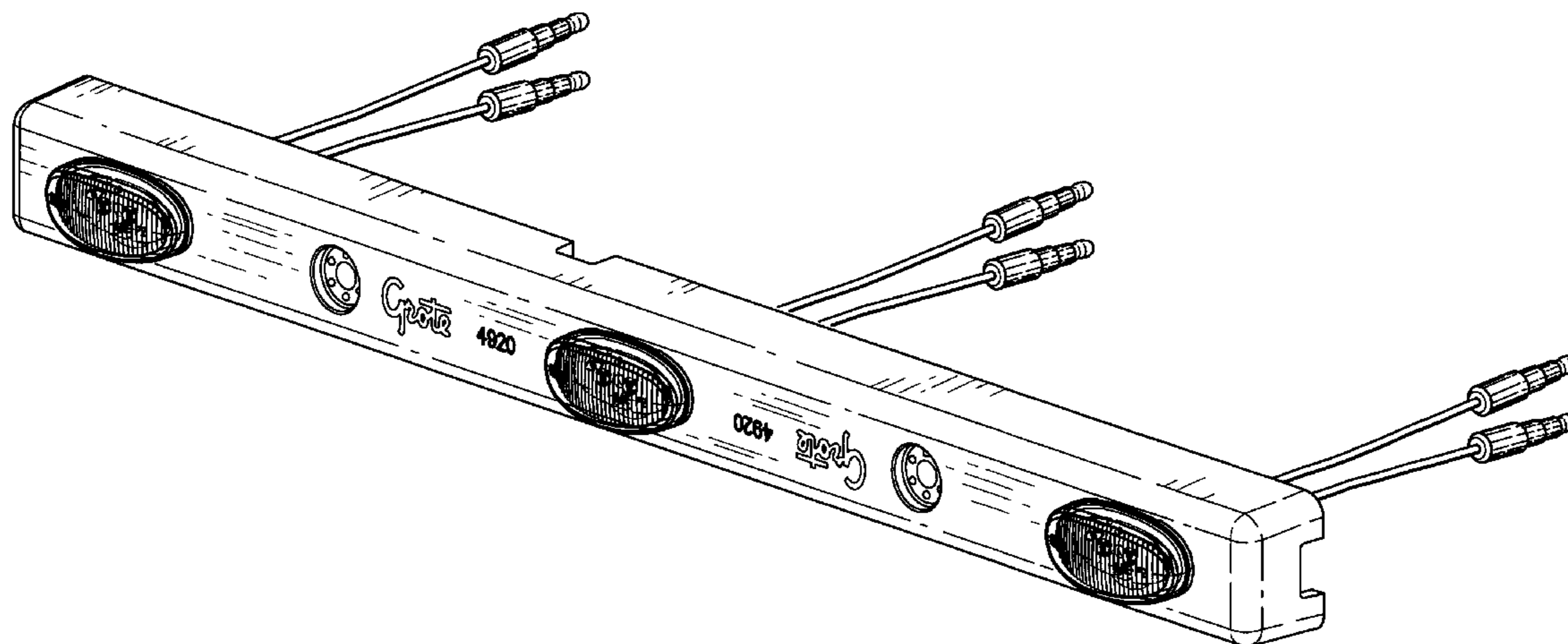
U.S. PATENT DOCUMENTS

D349,517 S * 8/1994 Neff D20/42
D420,302 S 2/2000 Barnhart
D463,050 S * 9/2002 Zwisler D26/31

FIG. 6 is a first end elevational view of our new oval
sidemarker lamp design; and,

FIG. 7 is a second end elevational view of our new oval
sidemarker lamp design.

1 Claim, 5 Drawing Sheets



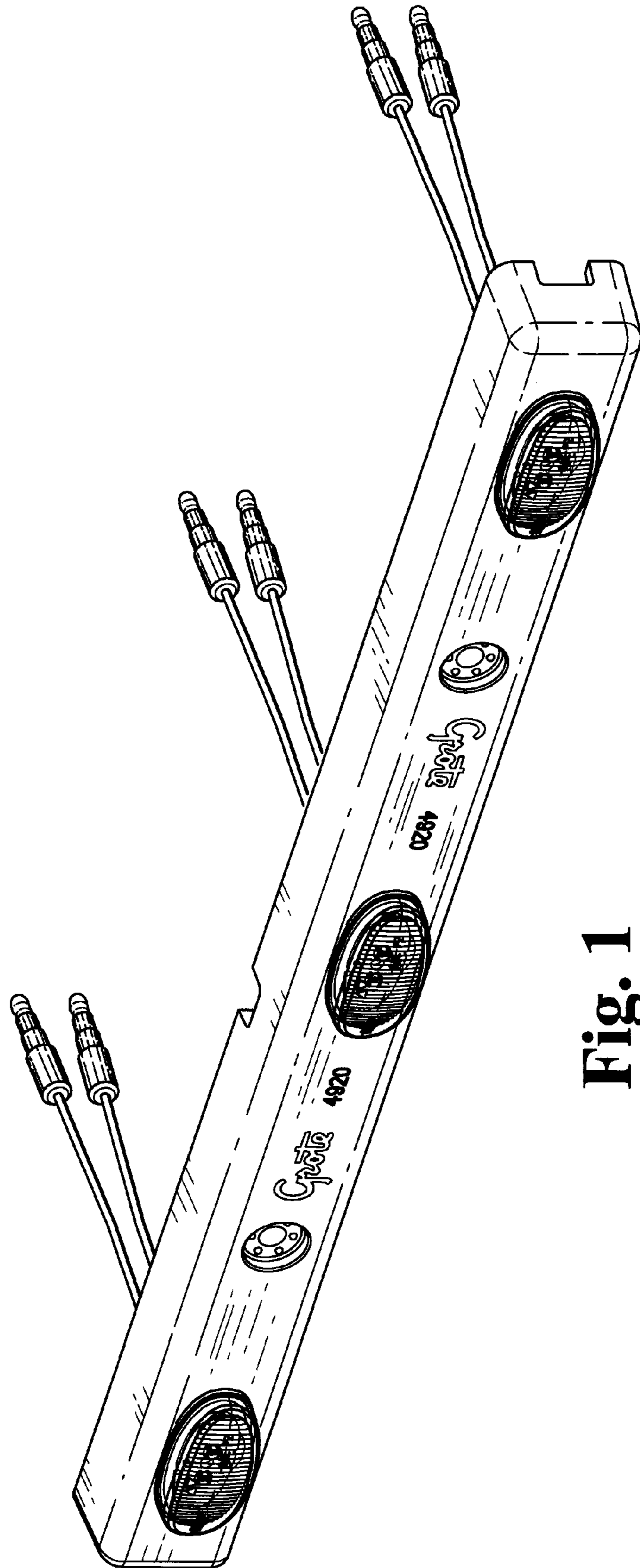


Fig. 1

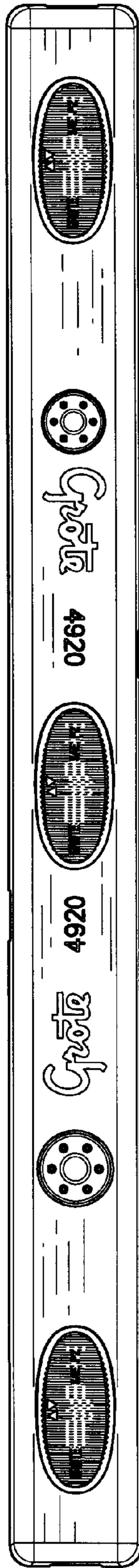


Fig. 2

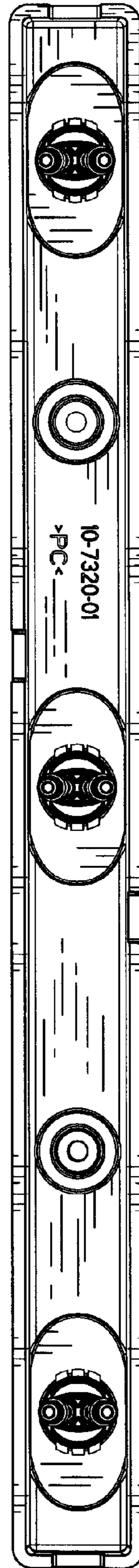


Fig. 3

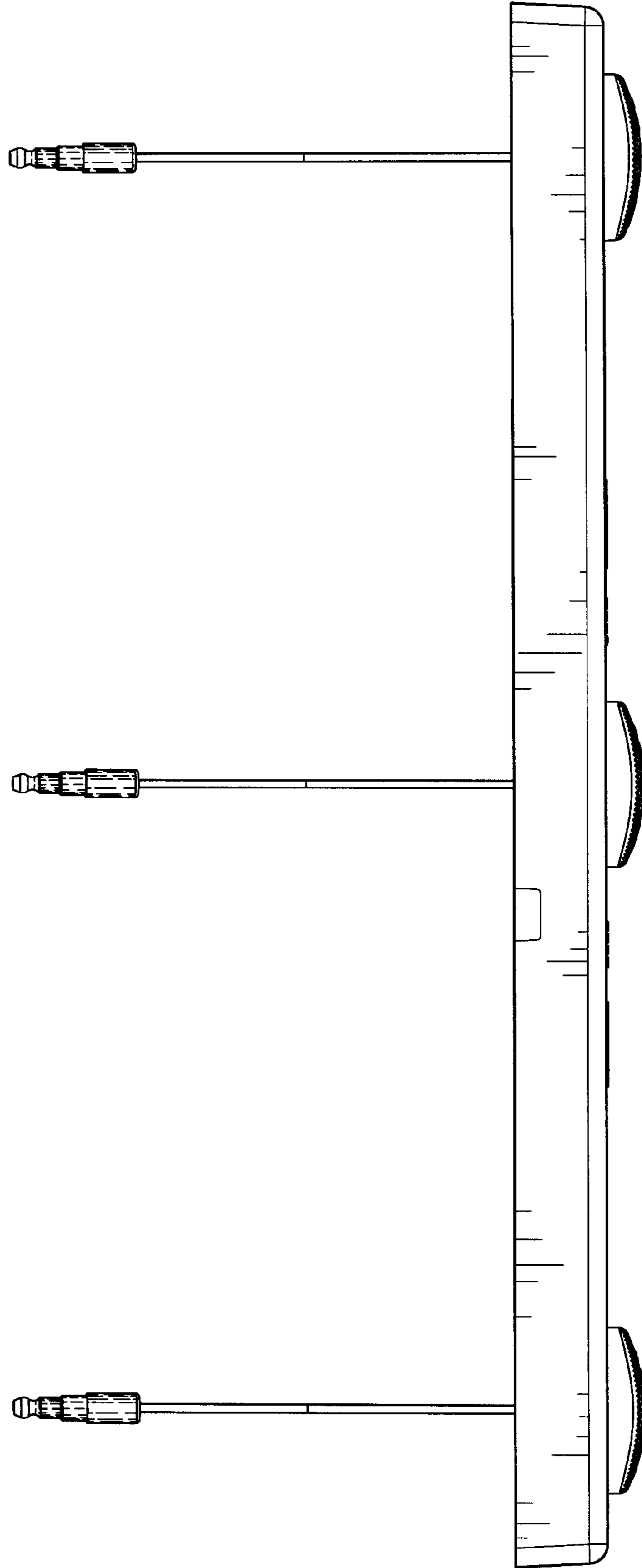


Fig. 4

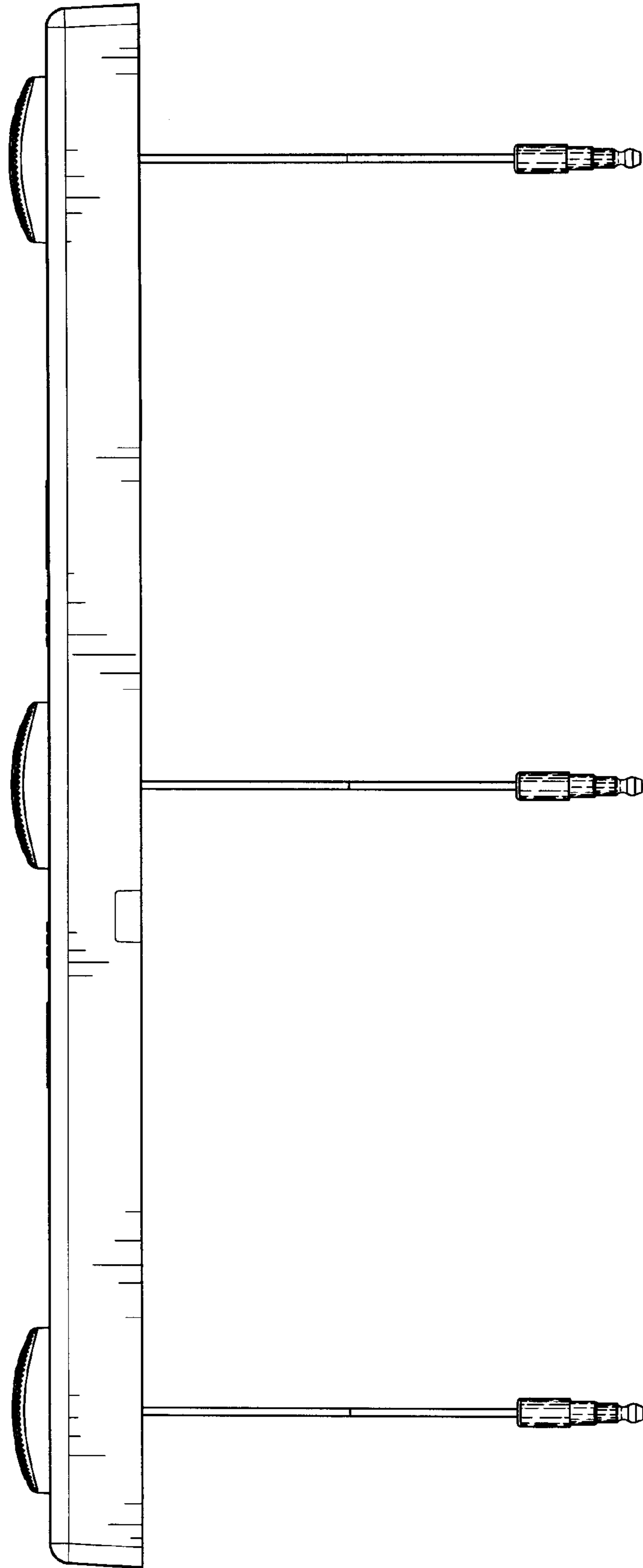


Fig. 5

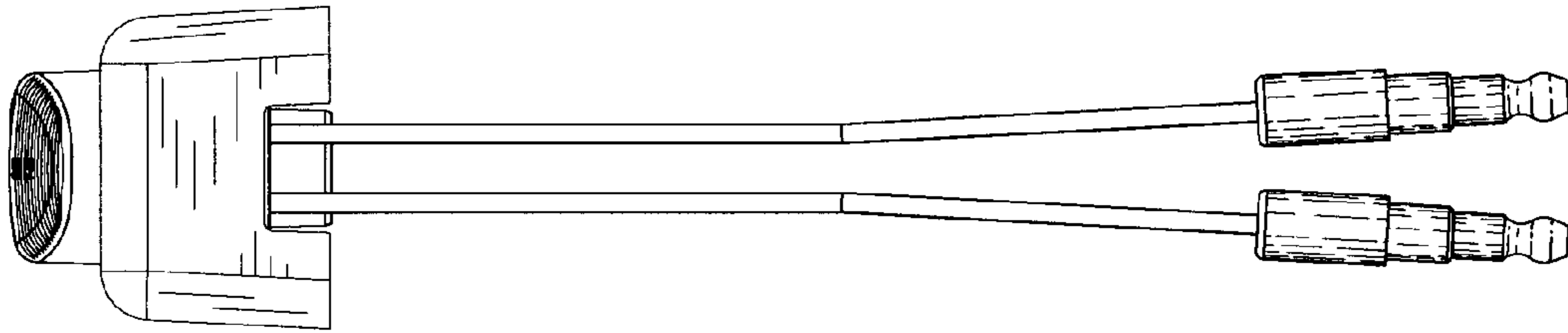


Fig. 6

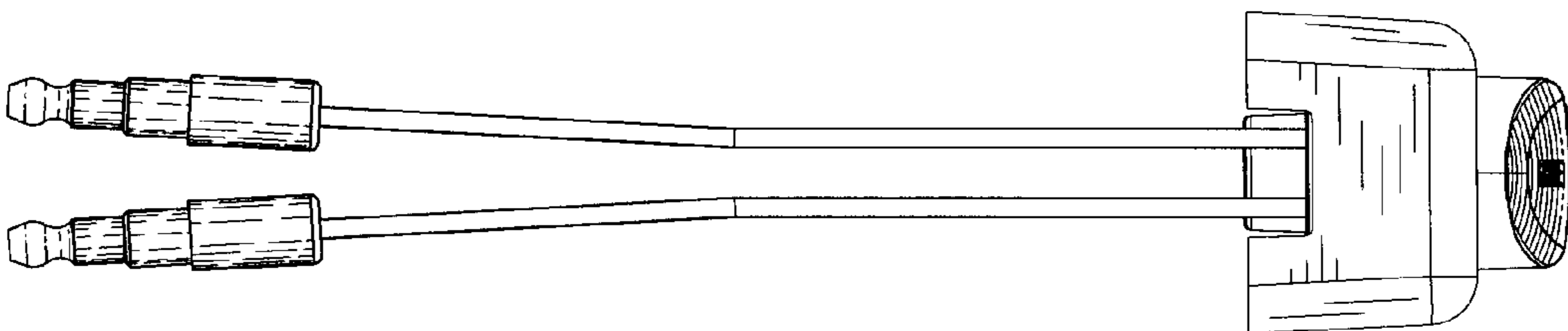


Fig. 7