



US00D524466S

(12) **United States Design Patent**  
**Essig**

(10) **Patent No.:** **US D524,466 S**  
(45) **Date of Patent:** **\*\* Jul. 4, 2006**

(54) **SURFACE CONFIGURATION OF A HEADLIGHT FOR A VEHICLE**

(75) Inventor: **Hardy Essig**, Rutesheim (DE)

(73) Assignee: **Dr. Ing. h.c.F. Porsche Aktiengesellschaft**, Stuttgart (DE)

(\*\*) Term: **14 Years**

(21) Appl. No.: **29/231,028**

(22) Filed: **Jun. 1, 2005**

(30) **Foreign Application Priority Data**

Dec. 2, 2004 (EM) ..... 000262738

(51) **LOC (8) Cl.** ..... **26-06**

(52) **U.S. Cl.** ..... **D26/28**

(58) **Field of Classification Search** ..... D26/28-36;  
362/459-468, 475-478, 485-487

See application file for complete search history.

(56) **References Cited**

**U.S. PATENT DOCUMENTS**

D464,749 S	*	10/2002	Murkett	.....	D26/28
D481,807 S	*	11/2003	Honer	.....	D26/28
D483,134 S	*	12/2003	Shih	.....	D26/28
D499,822 S	*	12/2004	Pfeiffer	.....	D26/28

\* cited by examiner

*Primary Examiner*—Marcus A. Jackson

(74) *Attorney, Agent, or Firm*—Crowell & Moring LLP

(57) **CLAIM**

The ornamental design for a surface configuration of a headlight for a vehicle, as shown and described.

**DESCRIPTION**

This application is related to the following co-pending applications, of the inventor, filed on even date herewith: Application Serial No. 29/231,026, entitled "Surface Configuration of a Golf Cart and/or Replicas Thereof"; and Application Serial No. 29/231,032, entitled "Surface Configuration of a Front Portion of a Golf Cart and/or Replicas Thereof".

FIG. 1 is a perspective view of a first embodiment of a surface configuration of a headlight for a vehicle according to my novel design;

FIG. 2 is a front view of the first embodiment of the surface configuration of a headlight for a vehicle according to my novel design;

FIG. 3 is a side view of the first embodiment of the surface configuration of a headlight for a vehicle according to my novel design;

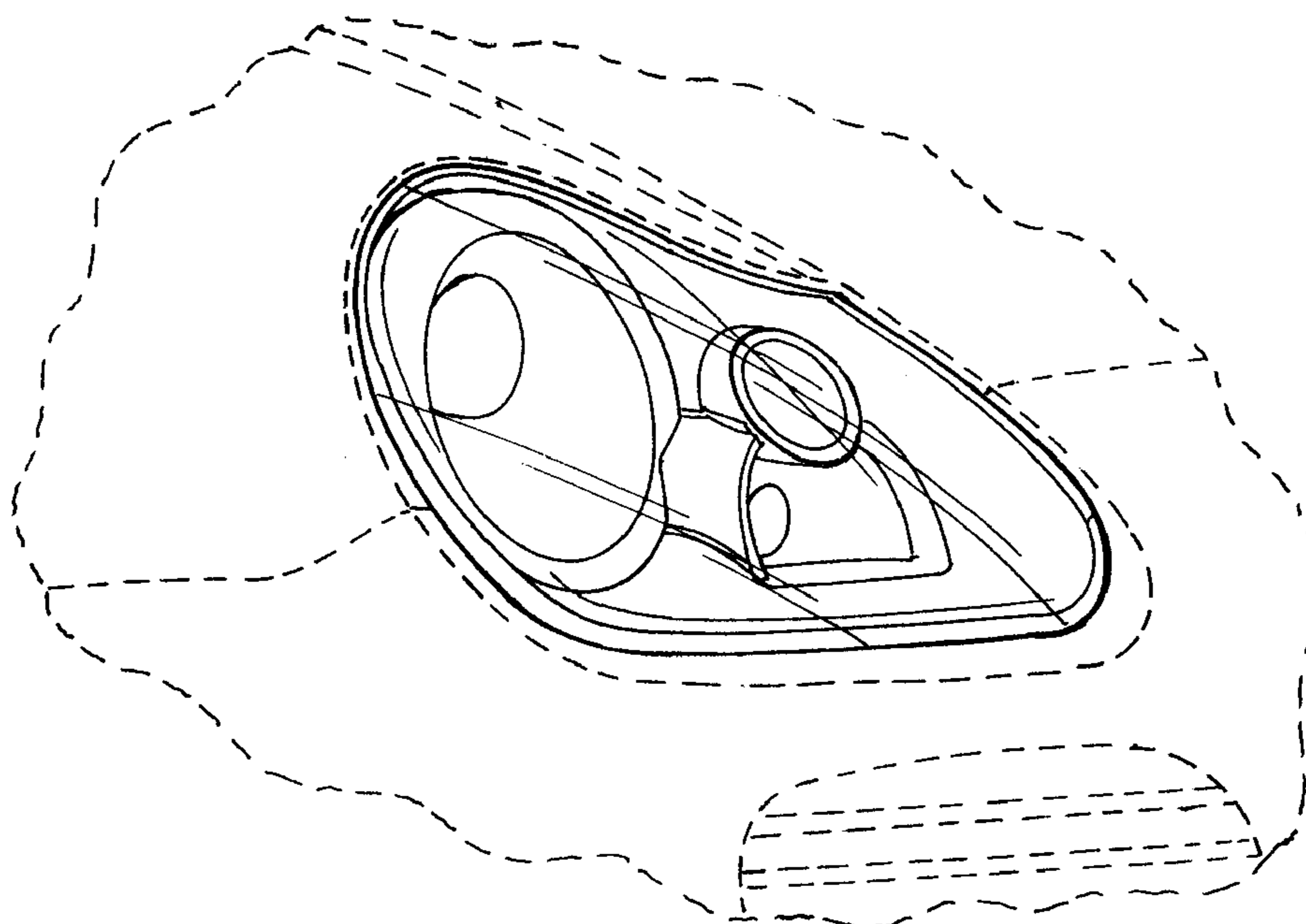
FIG. 4 is a perspective view of a second embodiment of the surface configuration of a headlight for a vehicle according to my novel design;

FIG. 5 is a front view of the second embodiment of the surface configuration of a headlight for a vehicle according to my novel design; and,

FIG. 6 is a side view of the second embodiment of the surface configuration of a headlight for a vehicle, according to my novel design.

The broken lines are for illustrative purposes only and form no part of the claimed design.

**1 Claim, 2 Drawing Sheets**



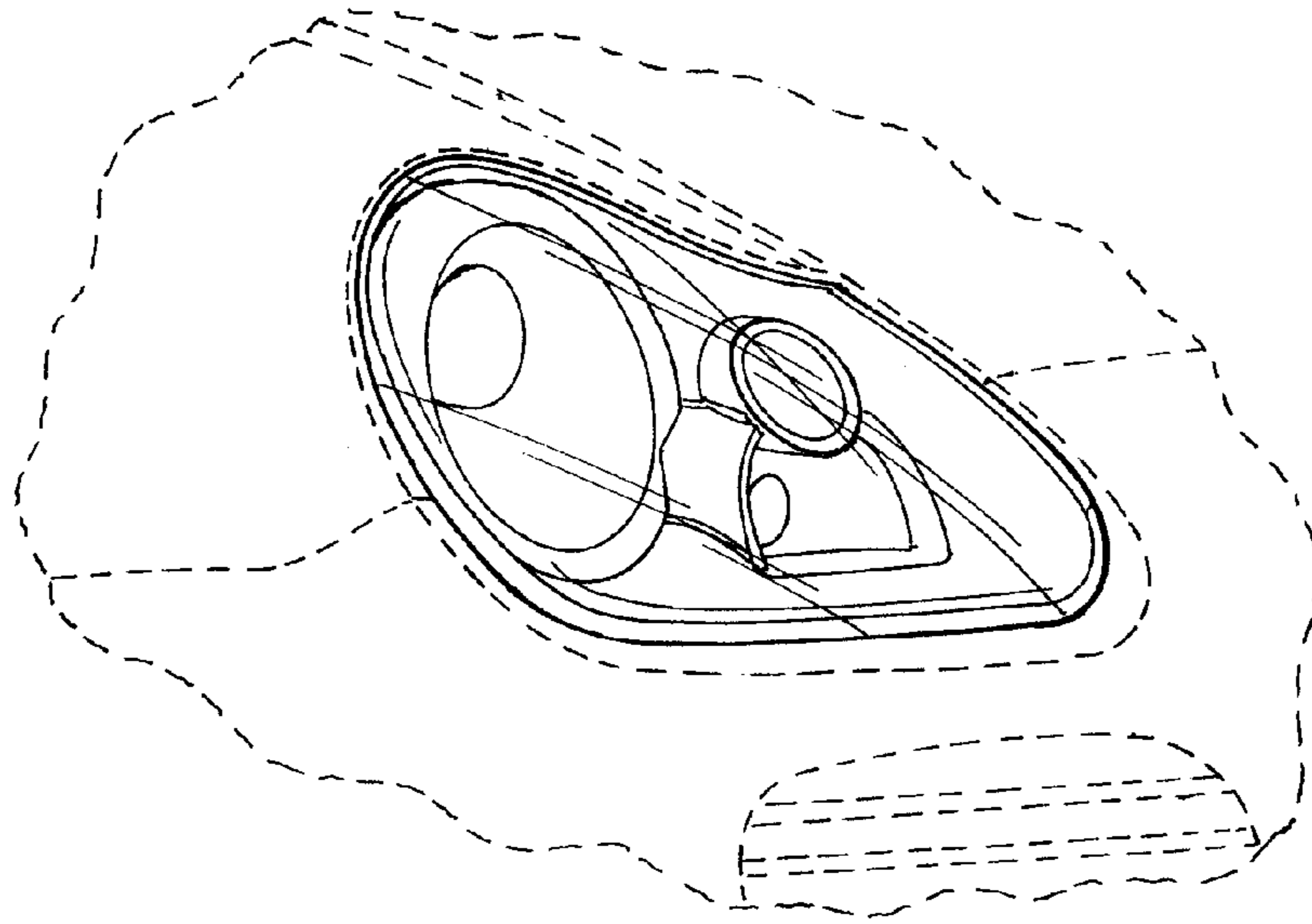


FIG. 1

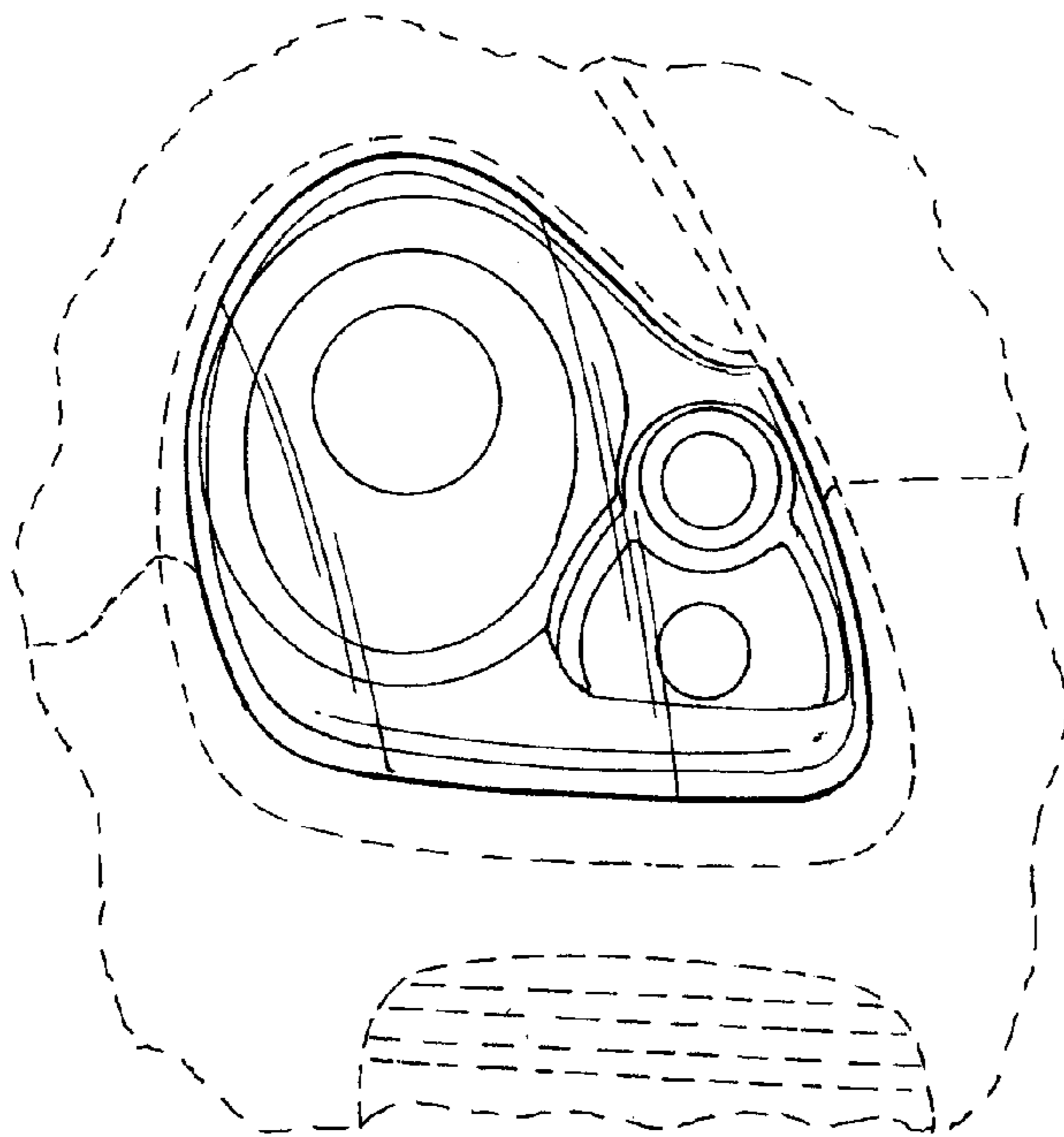


FIG. 2

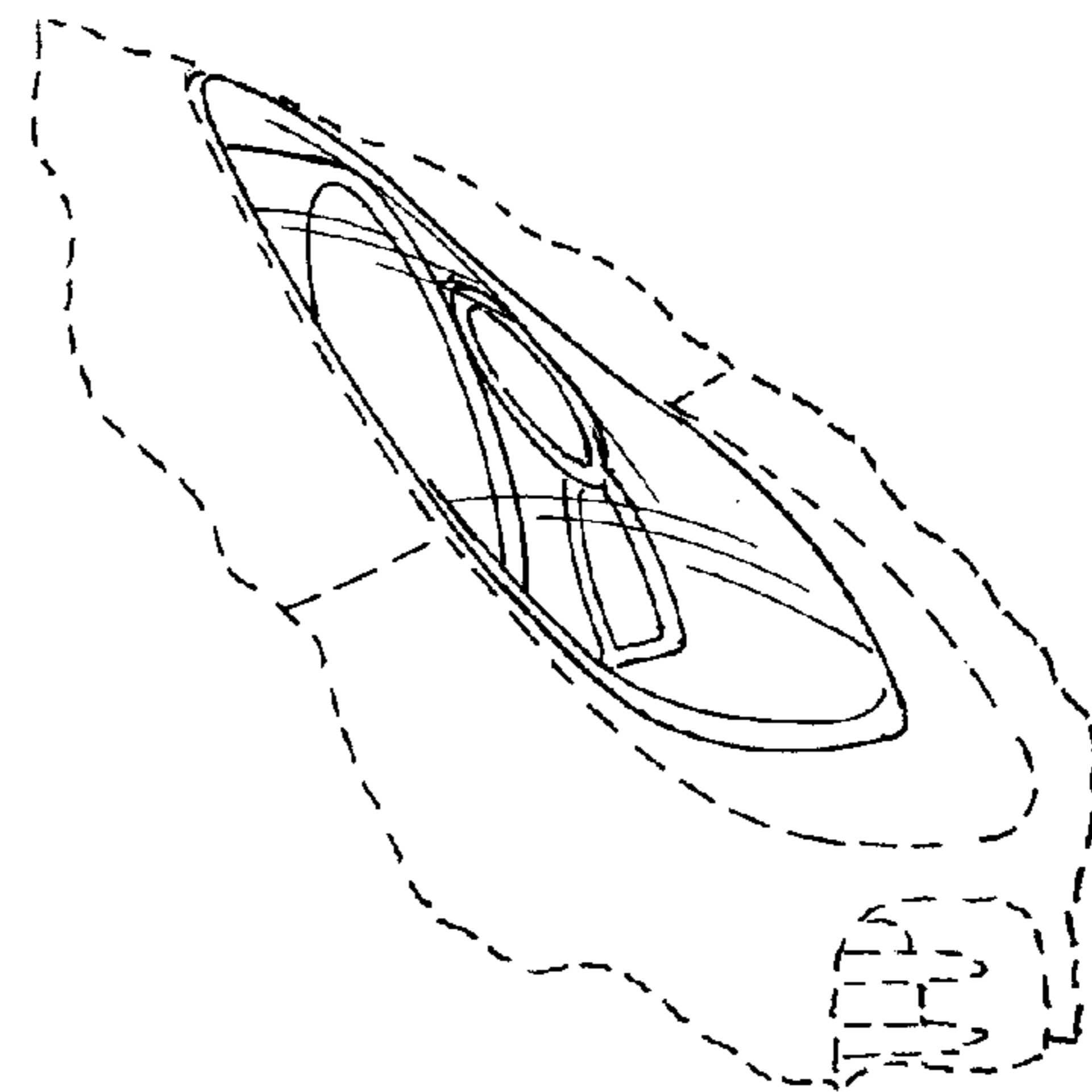


FIG. 3

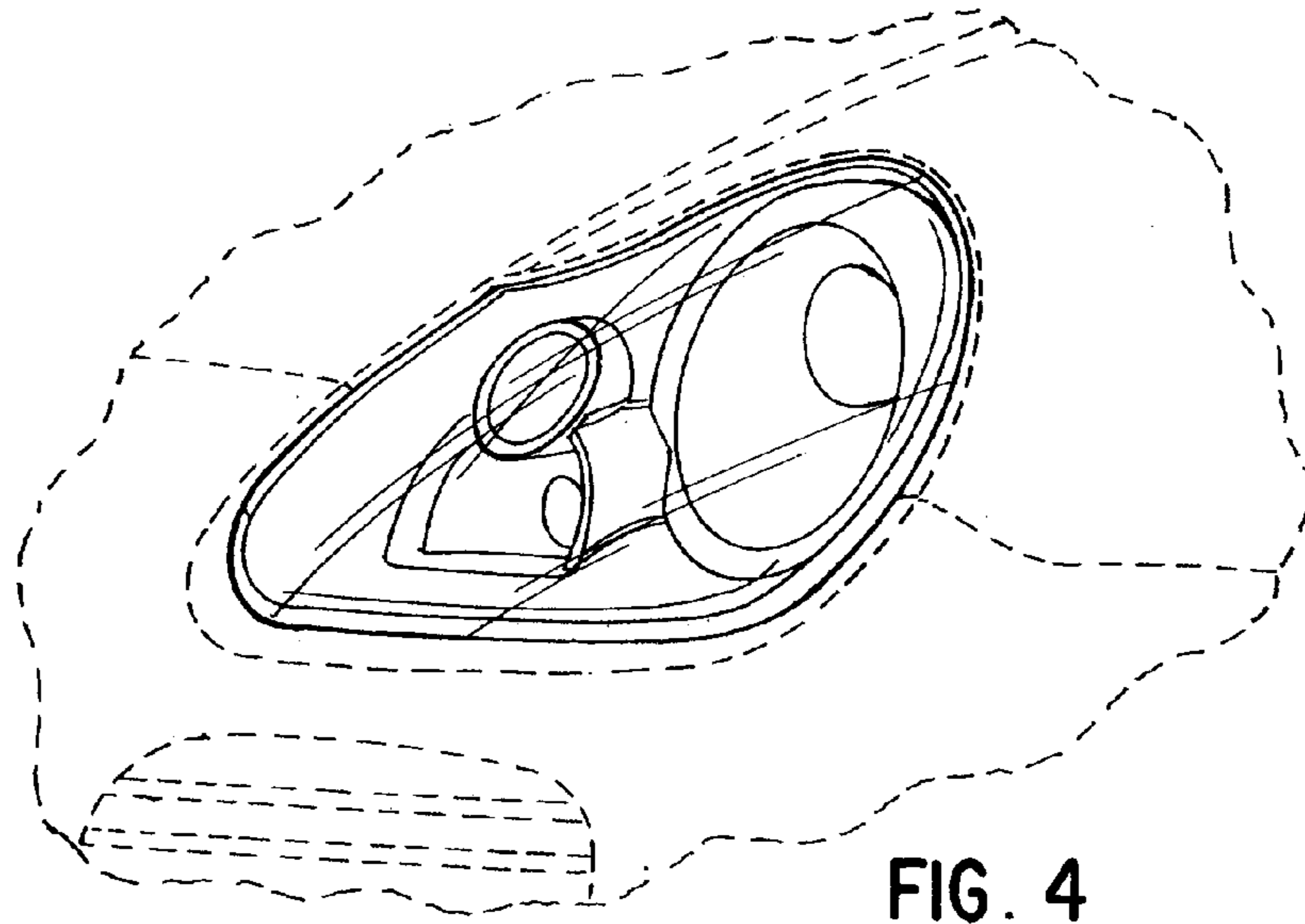


FIG. 4

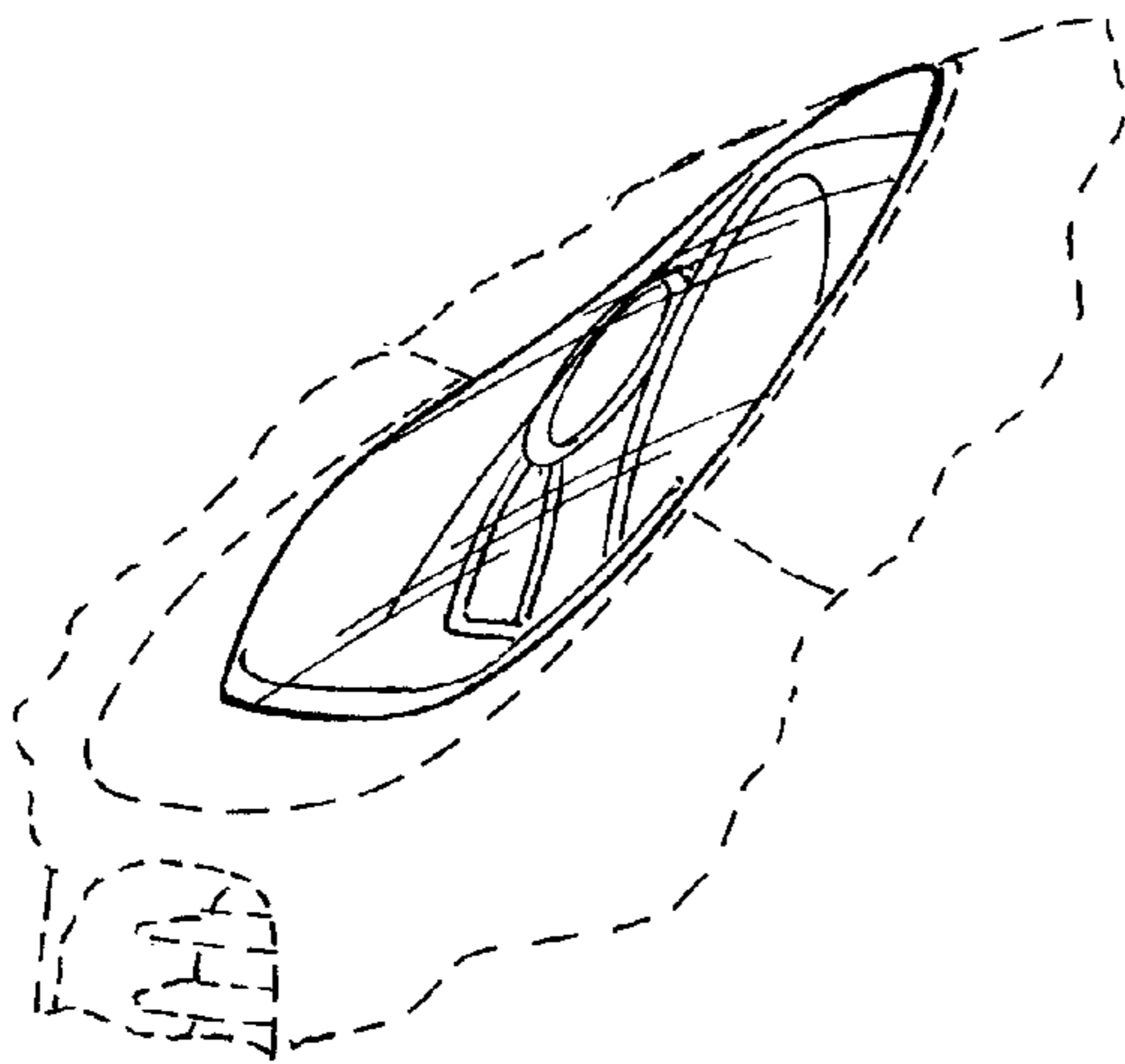


FIG. 6

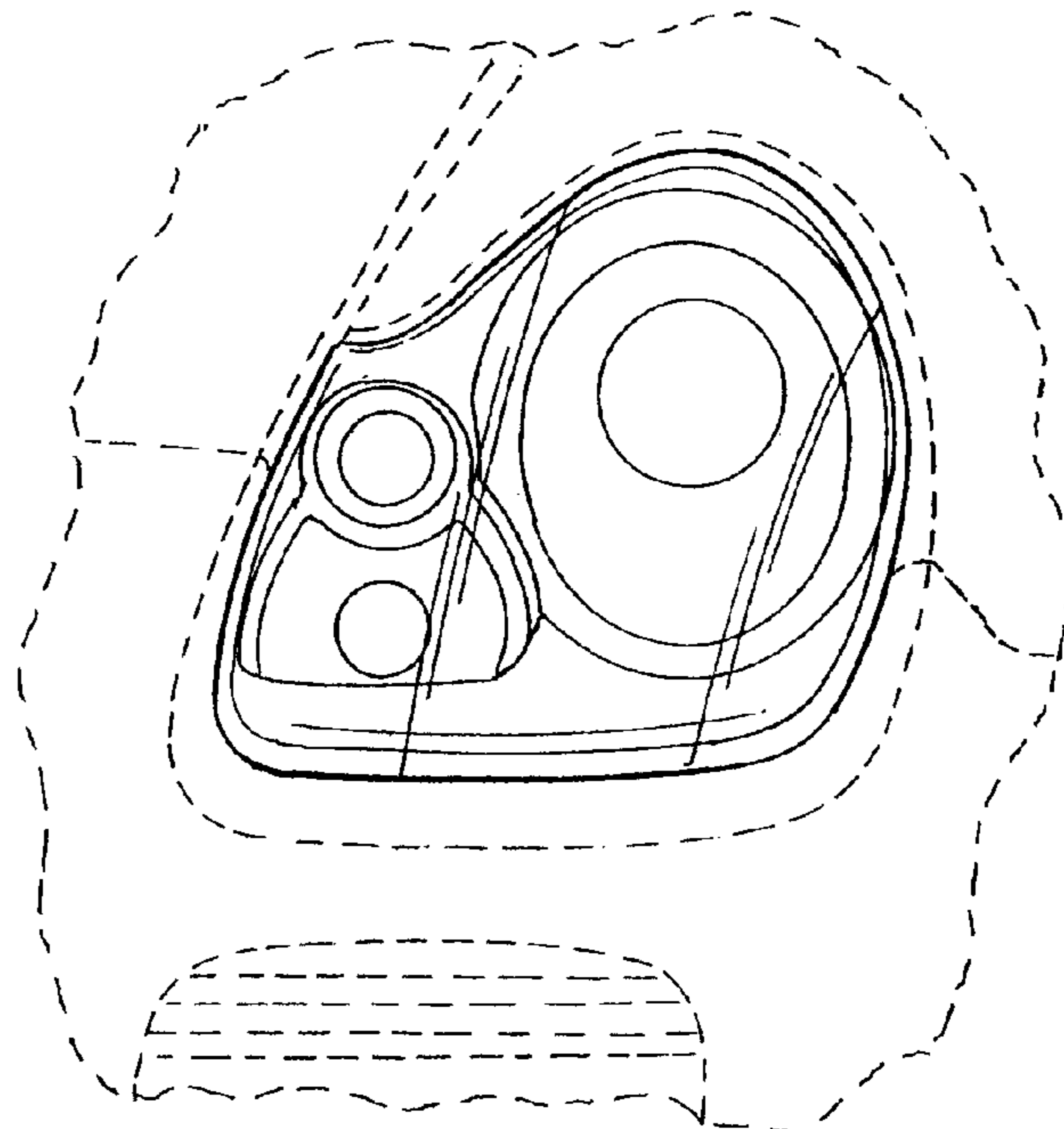


FIG. 5