

US00D524465S

(12) **United States Design Patent**
Chuang

(10) **Patent No.:** **US D524,465 S**

(45) **Date of Patent:** **** Jul. 4, 2006**

(54) **REAR COMBINATION LAMPS FOR
AUTOMOBILE BODY**

(75) Inventor: **Yung-Yi Chuang**, Taipei (TW)

(73) Assignee: **LaserTech Corporation Ltd.**, Chungho
(TW)

(**) Term: **14 Years**

(21) Appl. No.: **29/229,865**

(22) Filed: **May 13, 2005**

(51) **LOC (8) Cl.** **26-06**

(52) **U.S. Cl.** **D26/28**

(58) **Field of Classification Search** D26/28-36;
362/459-468, 475-478, 485-487
See application file for complete search history.

(56) **References Cited**

U.S. PATENT DOCUMENTS

D502,561 S * 3/2005 Metros et al. D26/28

D506,277 S * 6/2005 Ito D26/28

D506,557 S * 6/2005 Lin D26/28

* cited by examiner

Primary Examiner—Marcus A. Jackson

(74) *Attorney, Agent, or Firm*—Winston Hu

(57) **CLAIM**

The ornamental design for rear combination lamps for automobile body, as shown and described.

DESCRIPTION

FIG. 1 is a front view of rear combination lamps for automobile body showing the new design;

FIG. 2 is a left side view thereof;

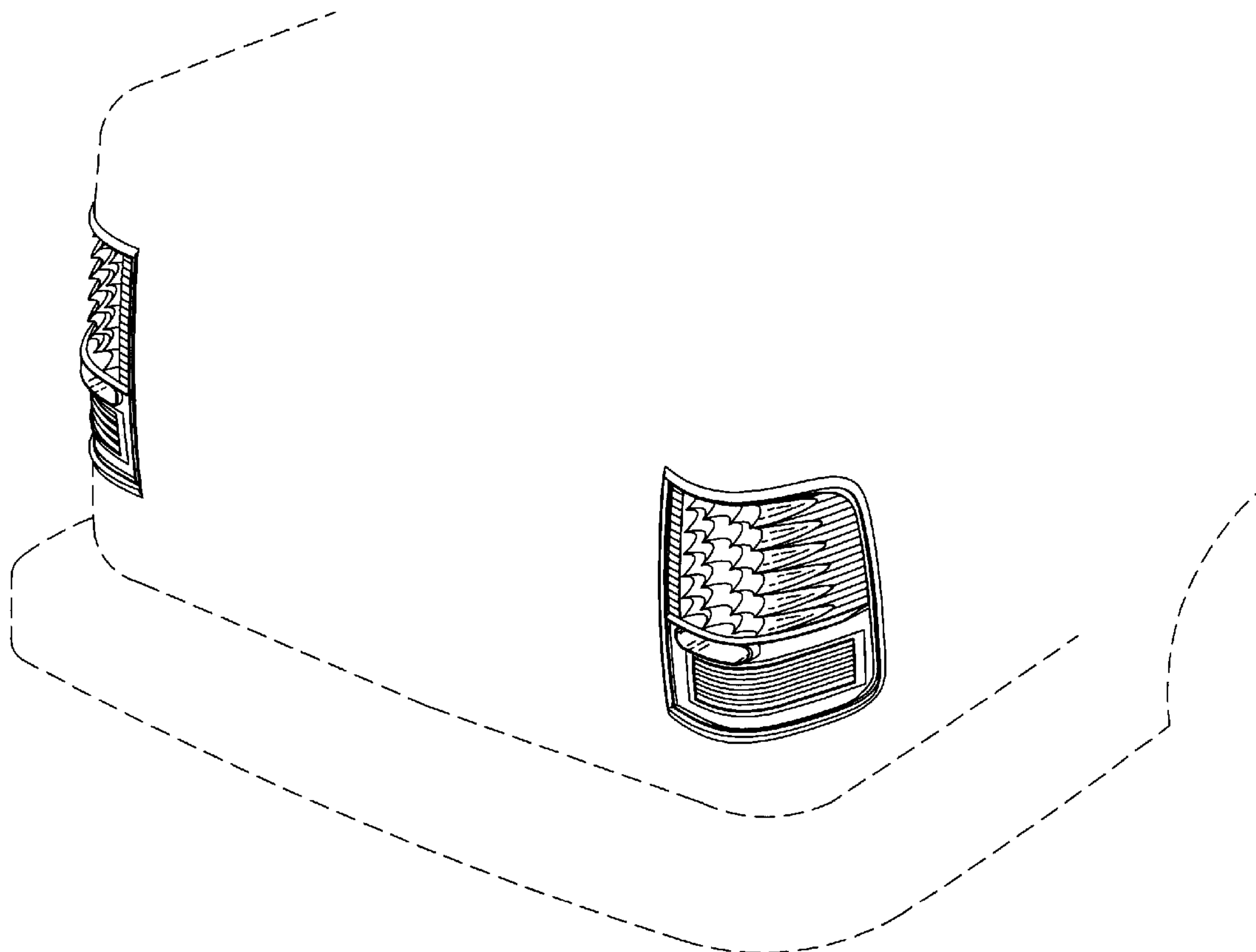
FIG. 3 is a right side view thereof;

FIG. 4 is a top view thereof; and,

FIG. 5 is a perspective view thereof.

The transparent/translucent external covers (not shown) of the rear combination lamps form no part of the claimed design. In addition, the broken line showing the automobile body is only for illustrative purposes and forms no part of the claimed design.

1 Claim, 5 Drawing Sheets



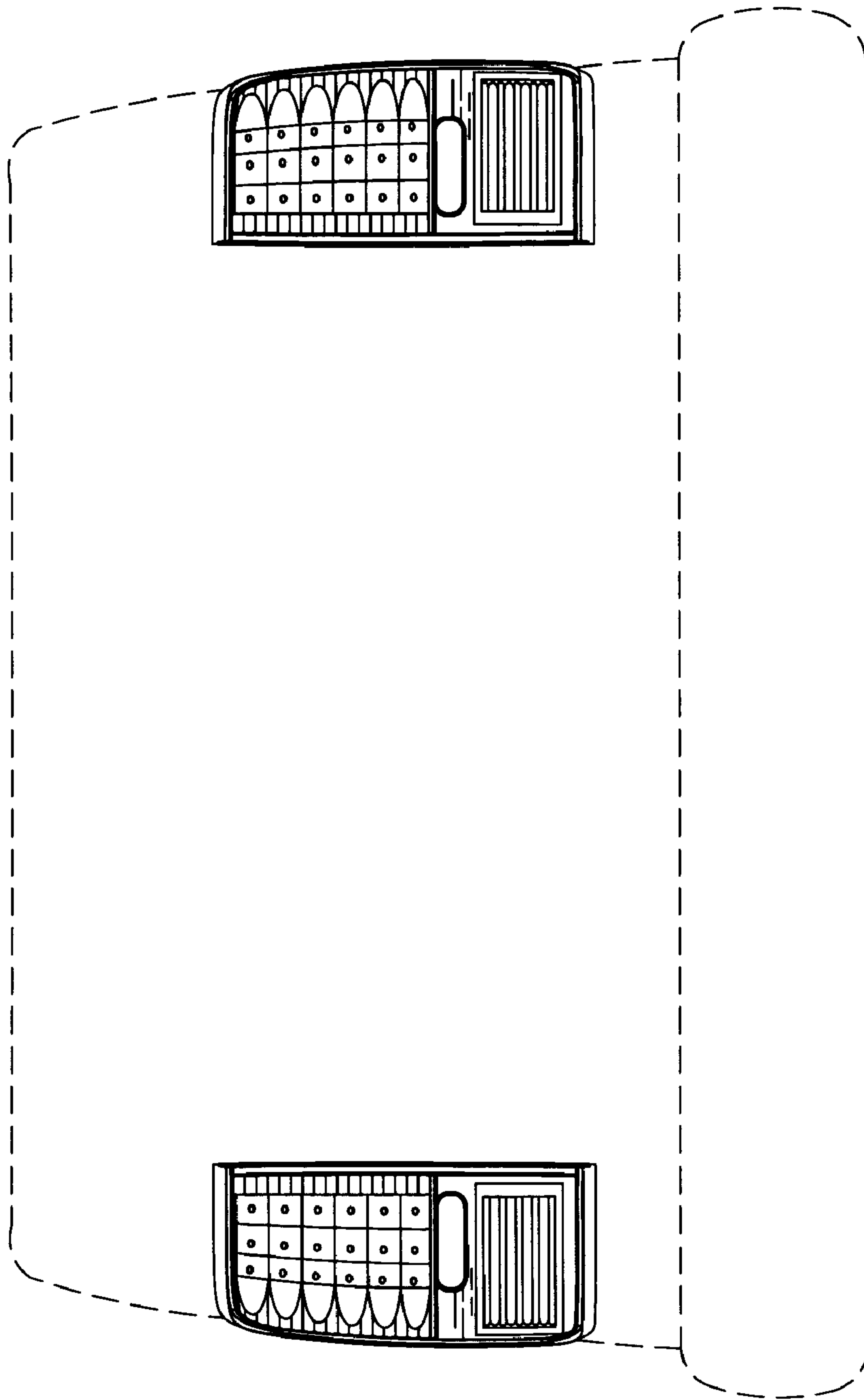


Fig. 1

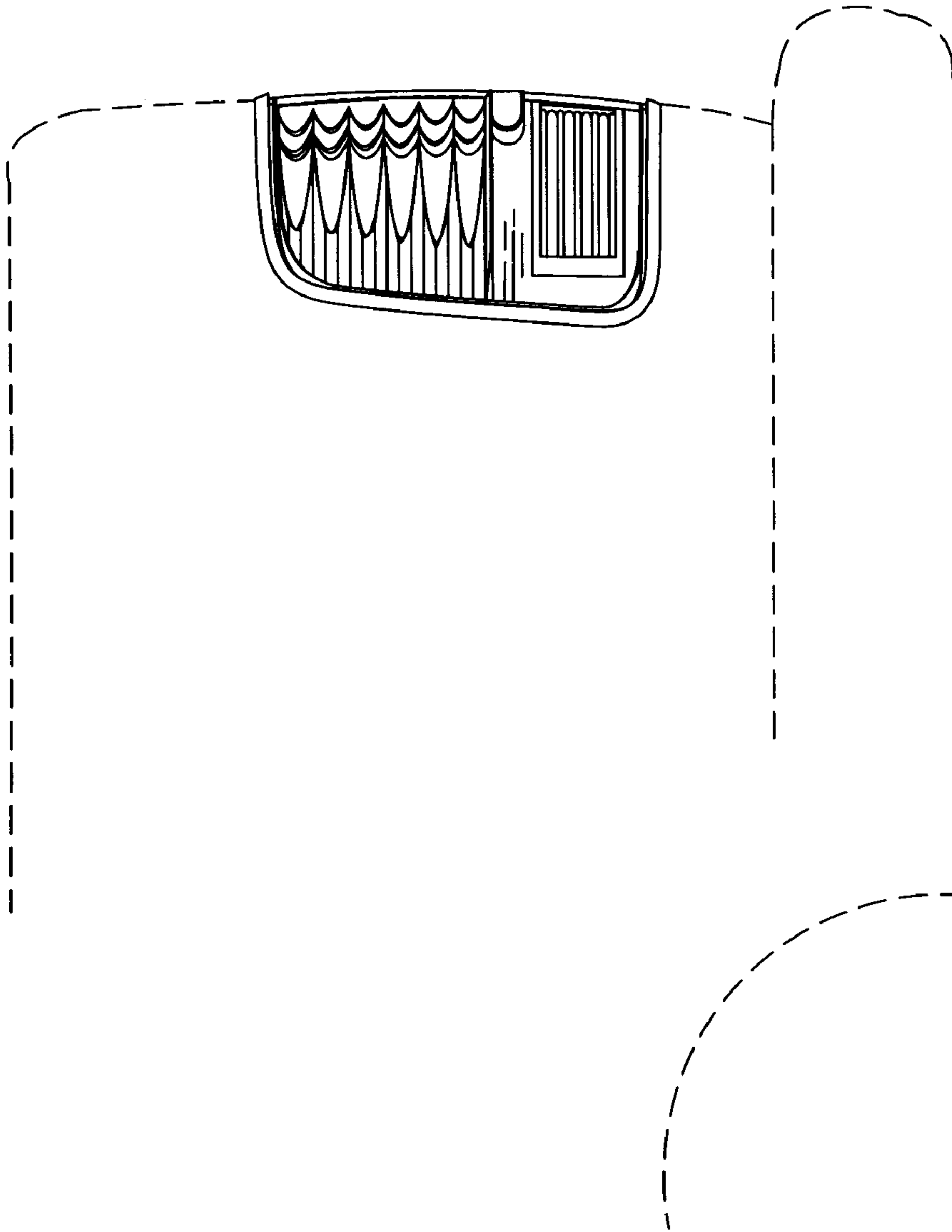


Fig. 2

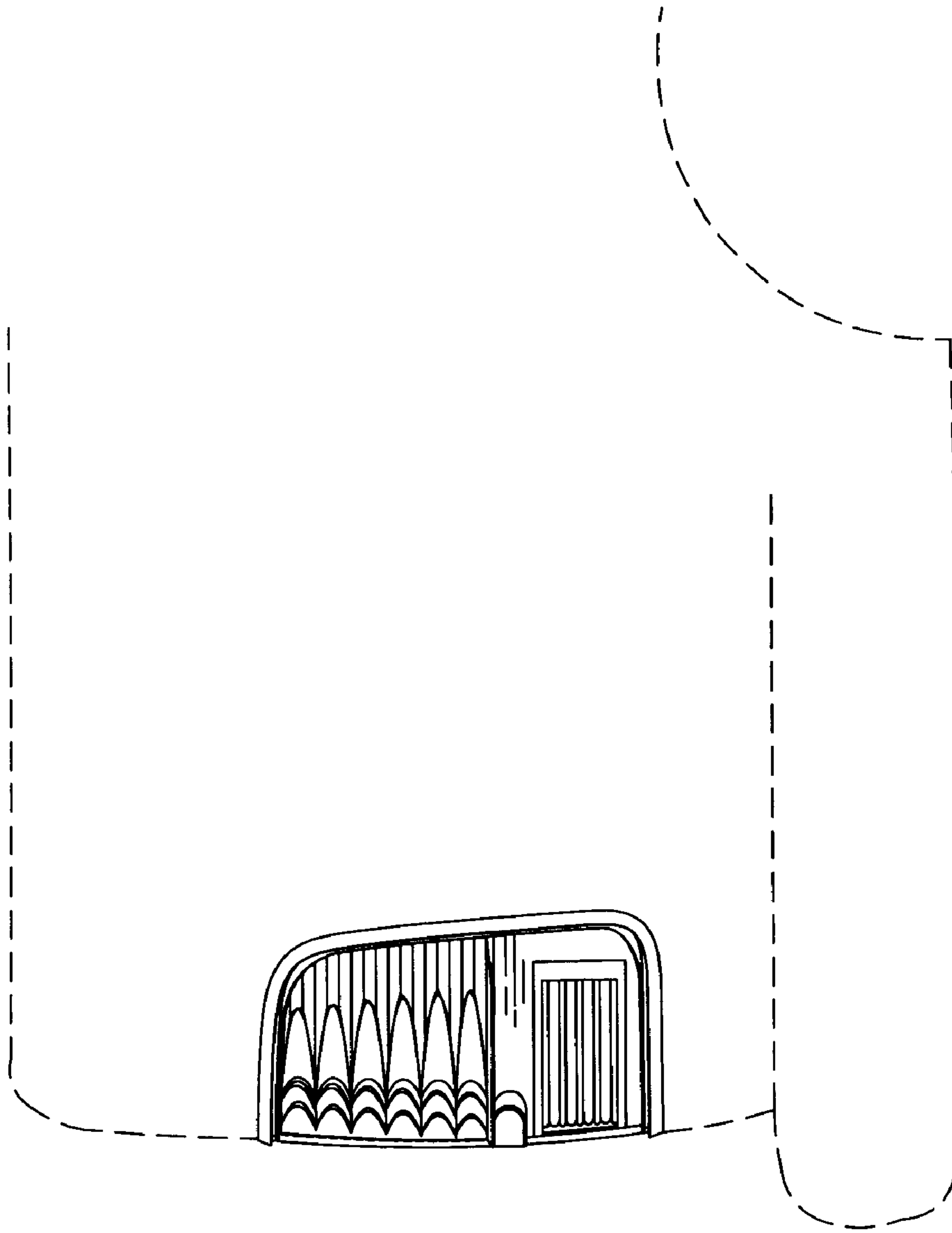


Fig. 3

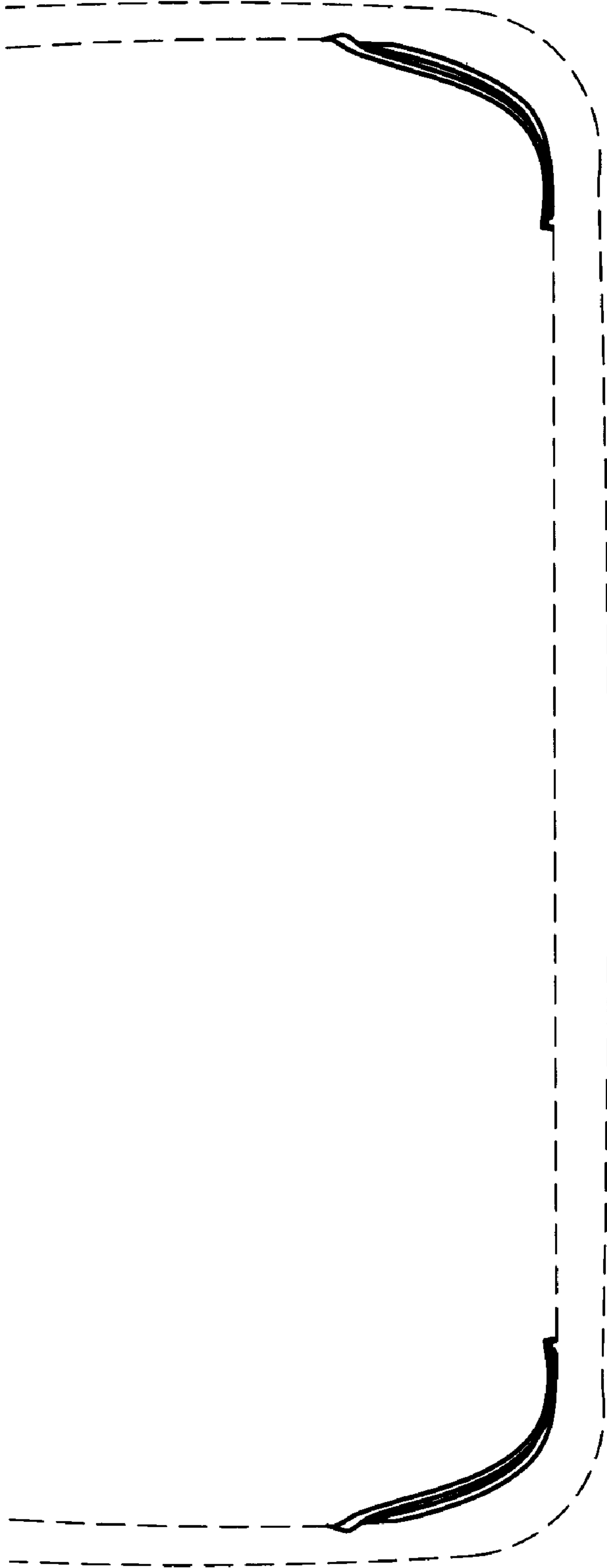


Fig. 4

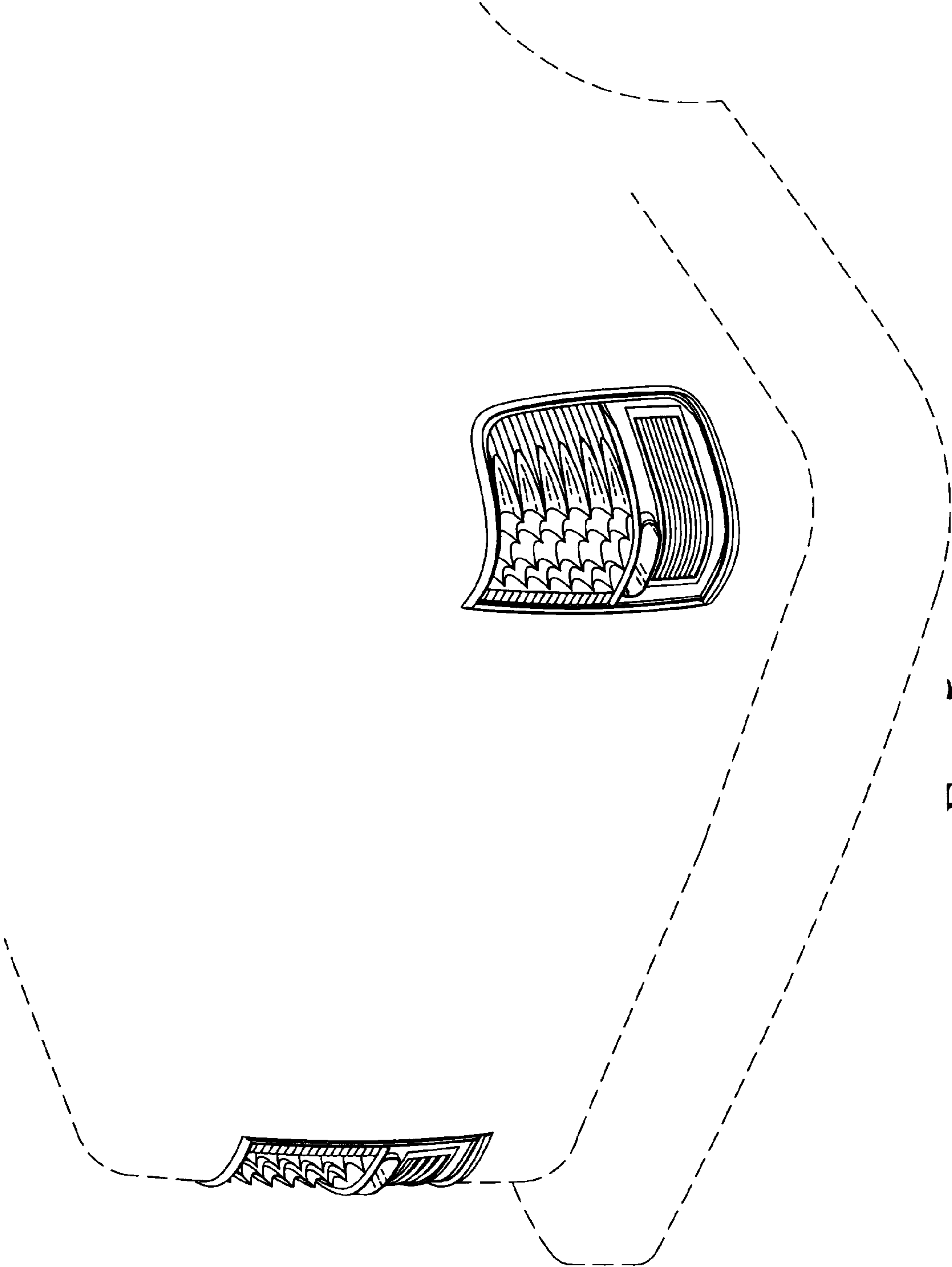


Fig. 5

UNITED STATES PATENT AND TRADEMARK OFFICE
CERTIFICATE OF CORRECTION

PATENT NO. : Des. 524,465 S
APPLICATION NO. : 29/229865
DATED : July 4, 2006
INVENTOR(S) : Chuang


Page 1 of 1

It is certified that error appears in the above-identified patent and that said Letters Patent is hereby corrected as shown below:

On the title page item (73), correct the name of the assignee from “LaserTech
Corporation Ltd.” to “LasterTech Corporation Ltd.”

Signed and Sealed this

Seventh Day of November, 2006

A handwritten signature in black ink on a dotted background. The signature reads "Jon W. Dudas" in a cursive style.

JON W. DUDAS

Director of the United States Patent and Trademark Office