



US00D524463S

(12) **United States Design Patent**
Branstetter et al.

(10) **Patent No.:** **US D524,463 S**

(45) **Date of Patent:** **** Jul. 4, 2006**

(54) **OVAL SIDEMARKER LAMP**

(75) Inventors: **Cary D. Branstetter**, Madison, IN (US); **Newel Lloyd Stephens**, Madison, IN (US)

(73) Assignee: **Grote Industries, Inc.**, Madison, IN (US)

(**) Term: **14 Years**

(21) Appl. No.: **29/229,636**

(22) Filed: **May 10, 2005**

(51) **LOC (8) Cl.** **26-06**

(52) **U.S. Cl.** **D26/28**

(58) **Field of Classification Search** D26/28-36;
362/61, 80, 81, 82, 83, 267, 269, 275, 330-340
See application file for complete search history.

(56) **References Cited**

U.S. PATENT DOCUMENTS

D420,302 S	*	2/2000	Barnhart	D10/113
D437,650 S	*	2/2001	Moore	D26/28
D442,304 S	*	5/2001	Huang	D26/28
D447,826 S	*	9/2001	Kang	D26/28
D489,466 S	*	5/2004	Dohogne et al.	D26/28
D492,047 S	*	6/2004	Dohogne et al.	D26/28
D498,549 S	*	11/2004	Campagna	D26/28

* cited by examiner

Primary Examiner—Marcus A. Jackson

(74) *Attorney, Agent, or Firm*—Woodard, Emhardt, Moriarty McNett & Henry LLP

(57) **CLAIM**

The ornamental design for a oval sidemarker lamp, as shown and described.

DESCRIPTION

FIG. 1 is a perspective view of a first embodiment of our new oval sidemarker lamp design.

FIG. 2 is a top plan view of a first embodiment of our oval sidemarker lamp design.

FIG. 3 is a first side elevational view of a first embodiment of our oval sidemarker lamp design.

FIG. 4 is a second side elevational view of a first embodiment of our oval sidemarker lamp design.

FIG. 5 is a bottom plan view of a first embodiment of our oval sidemarker lamp design.

FIG. 6 is a first end elevational view of a first embodiment of our oval sidemarker lamp design.

FIG. 7 is a second end elevational view of a first embodiment of our oval sidemarker lamp design.

FIG. 8 is a perspective plan view of a second embodiment of our new oval sidemarker lamp design.

FIG. 9 is a top plan view of a second embodiment of our oval sidemarker lamp design.

FIG. 10 is a first side elevational view of a second embodiment of our oval sidemarker lamp design.

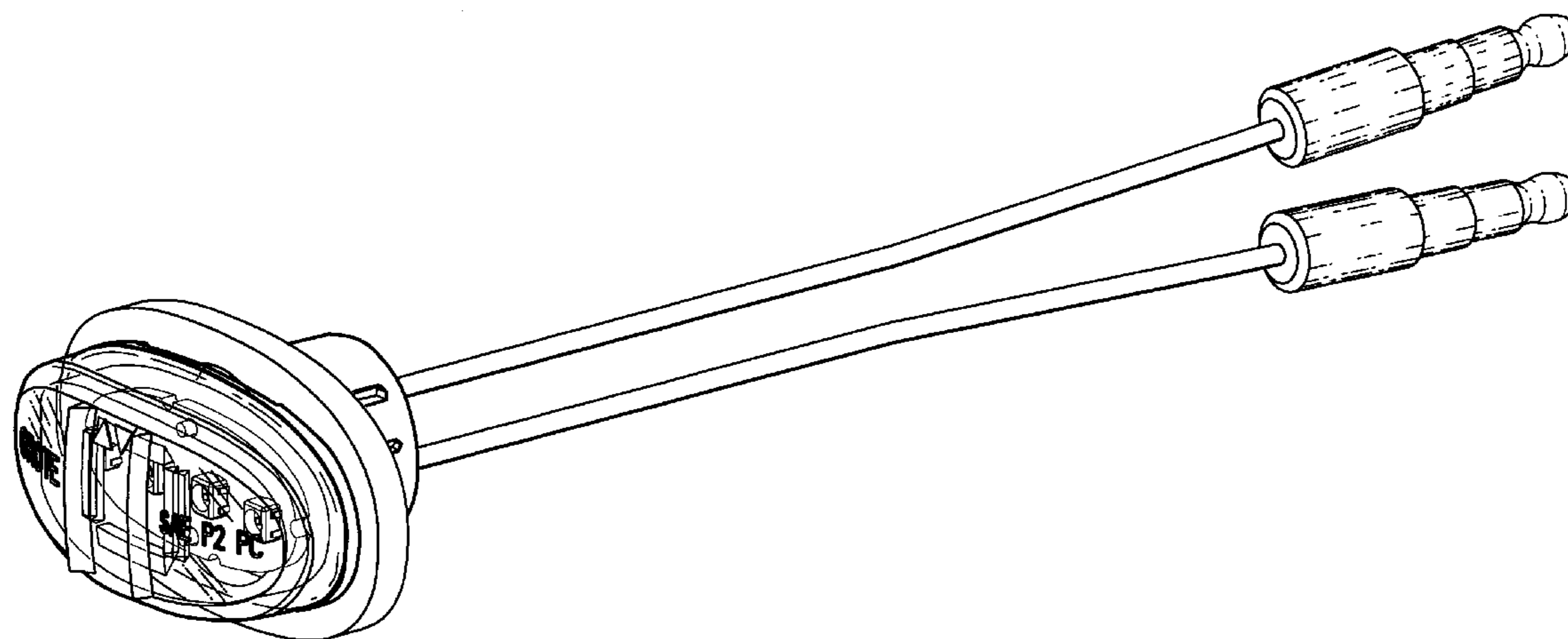
FIG. 11 is a second side elevational view of a second embodiment of our oval sidemarker lamp design.

FIG. 12 is a bottom plan view of a second embodiment of our oval sidemarker lamp design.

FIG. 13 is a first end elevational view of a second embodiment of our oval sidemarker lamp design; and,

FIG. 14 is a second end elevational view of a second embodiment of our oval sidemarker lamp design.

1 Claim, 8 Drawing Sheets



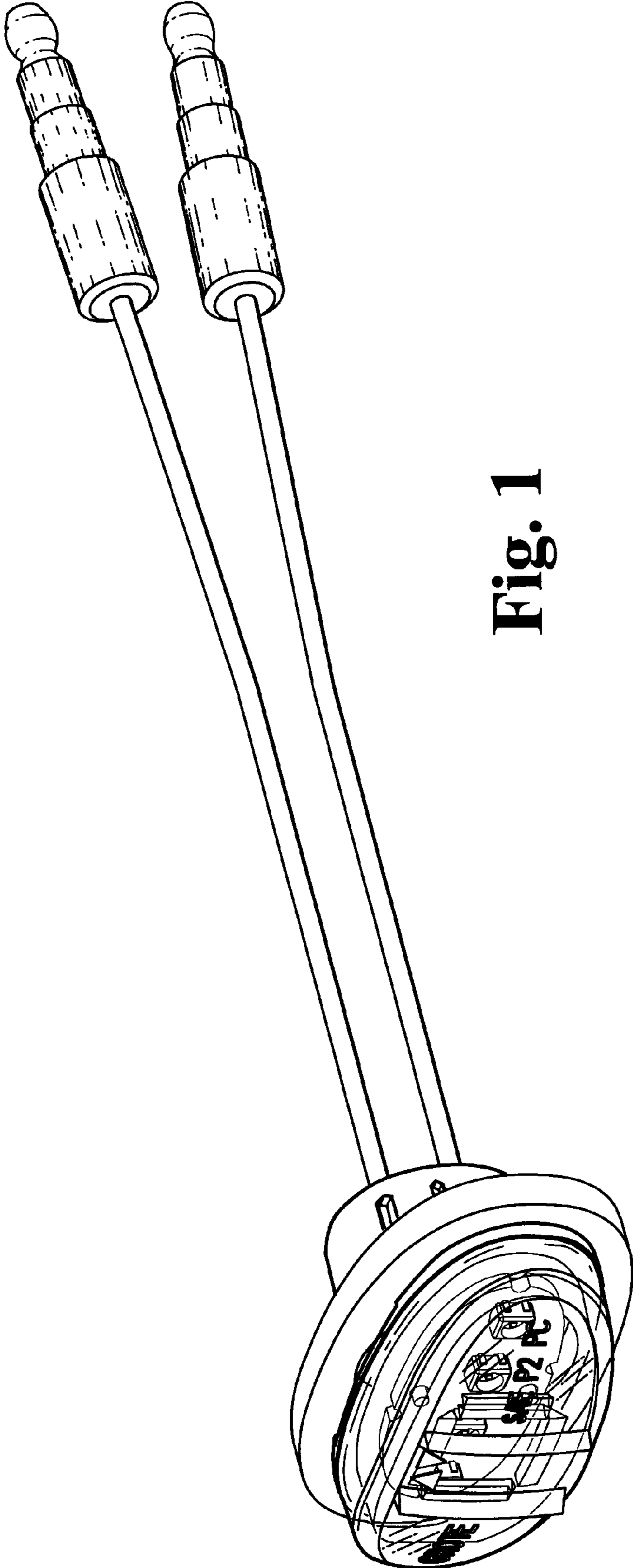


Fig. 1

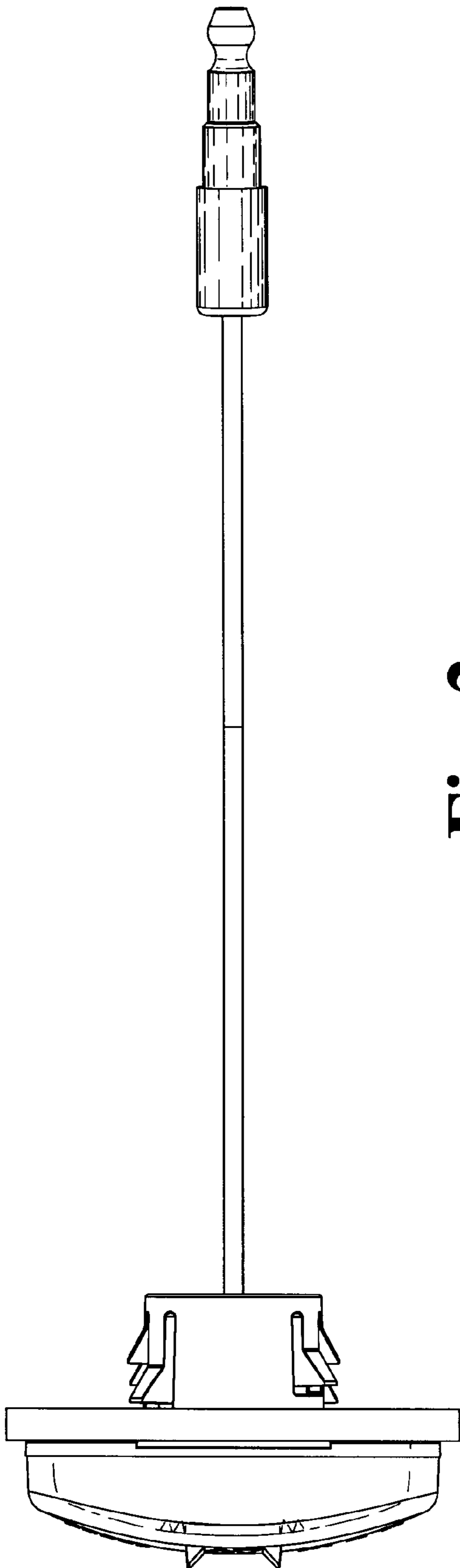


Fig. 2

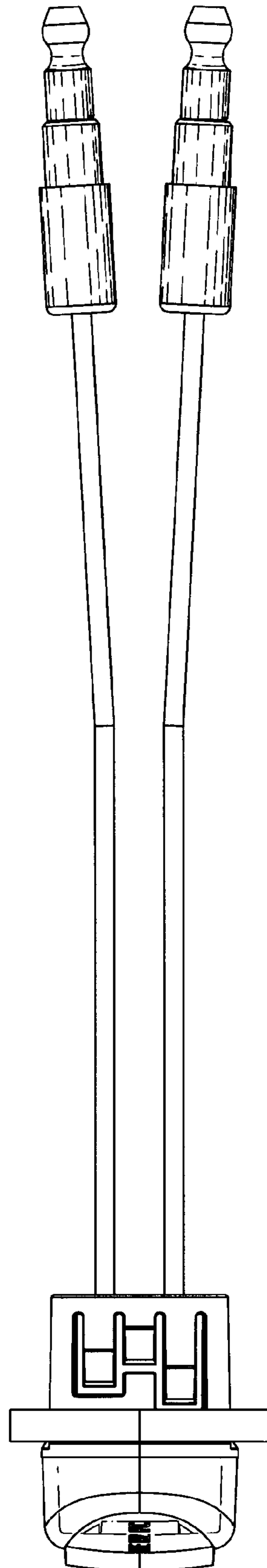


Fig. 3

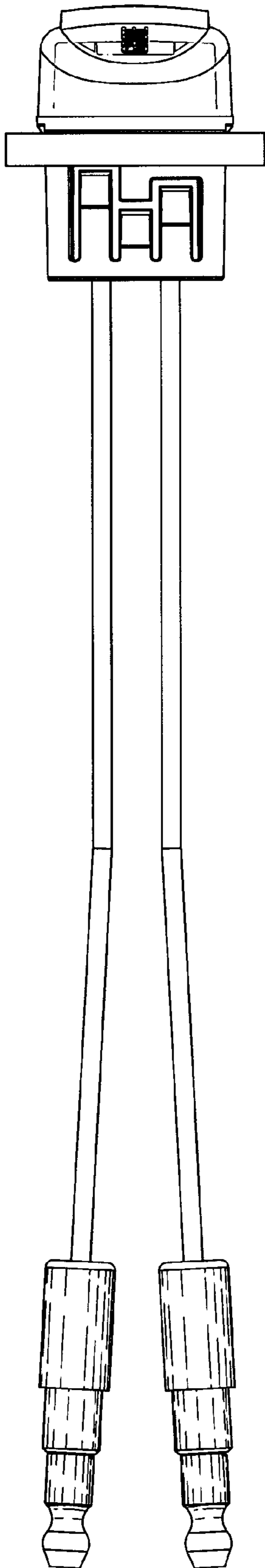


Fig. 4

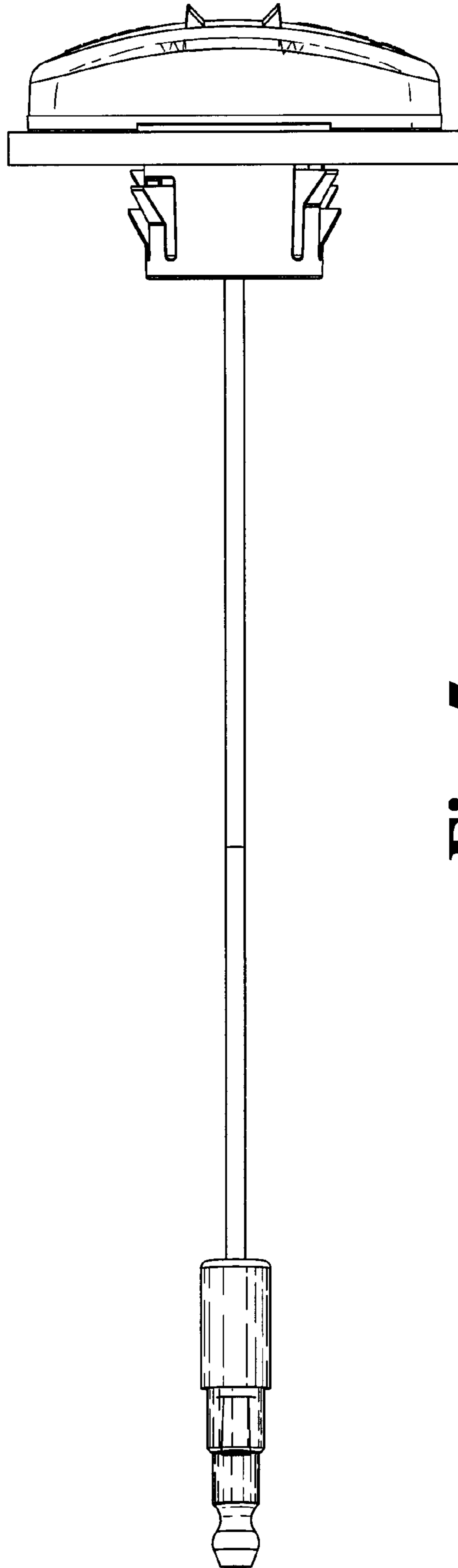


Fig. 5

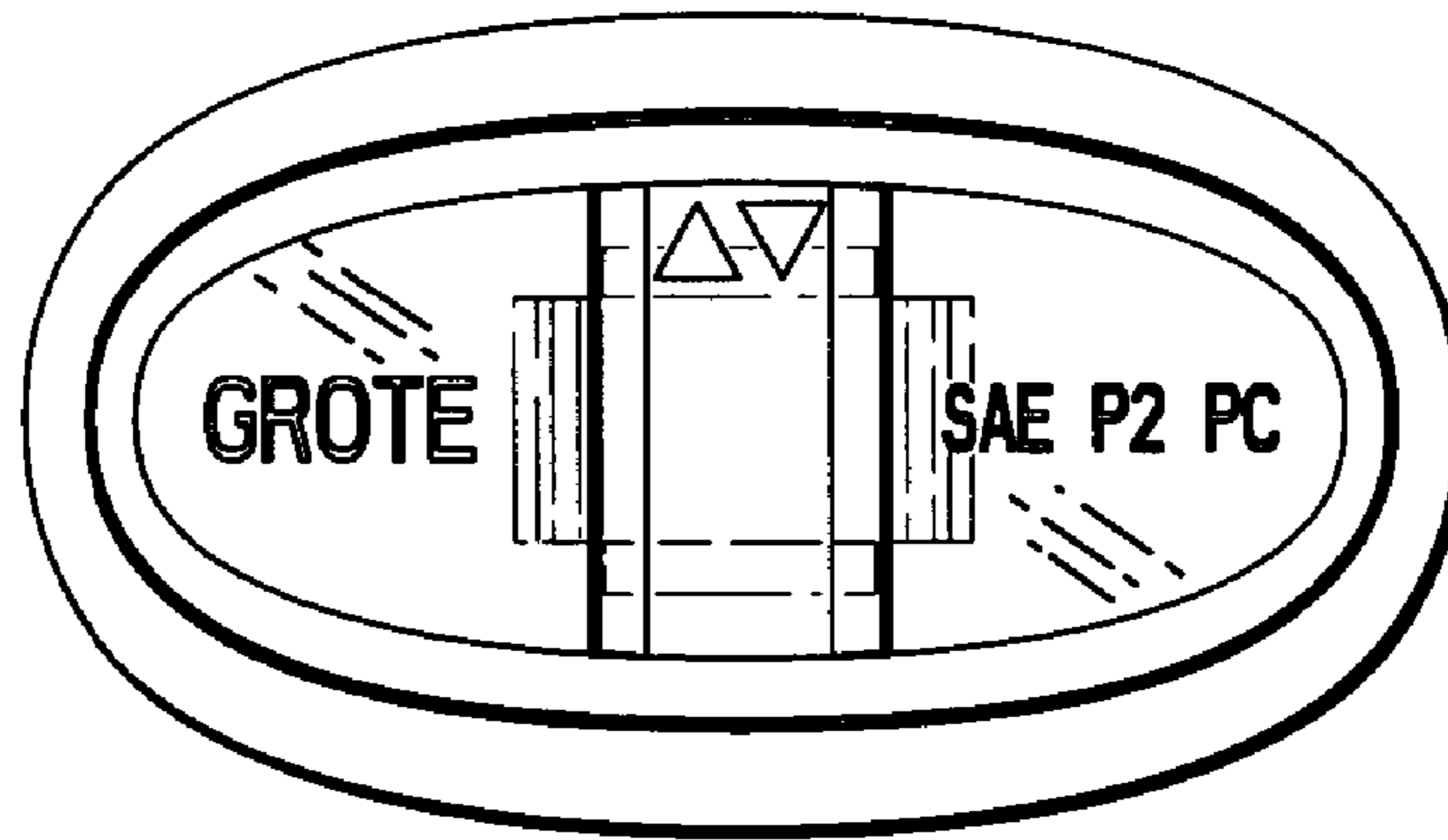


Fig. 6

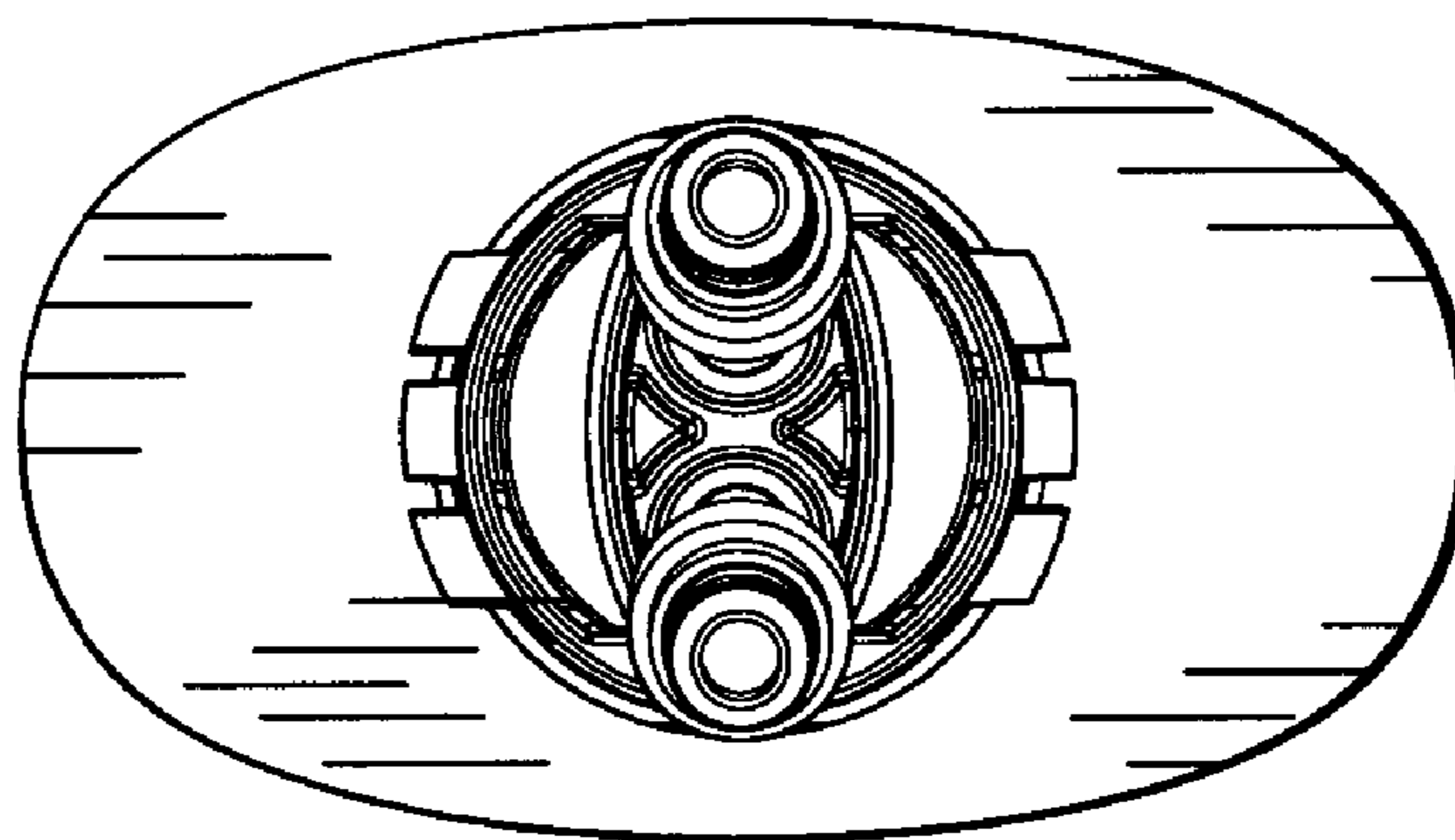


Fig. 7

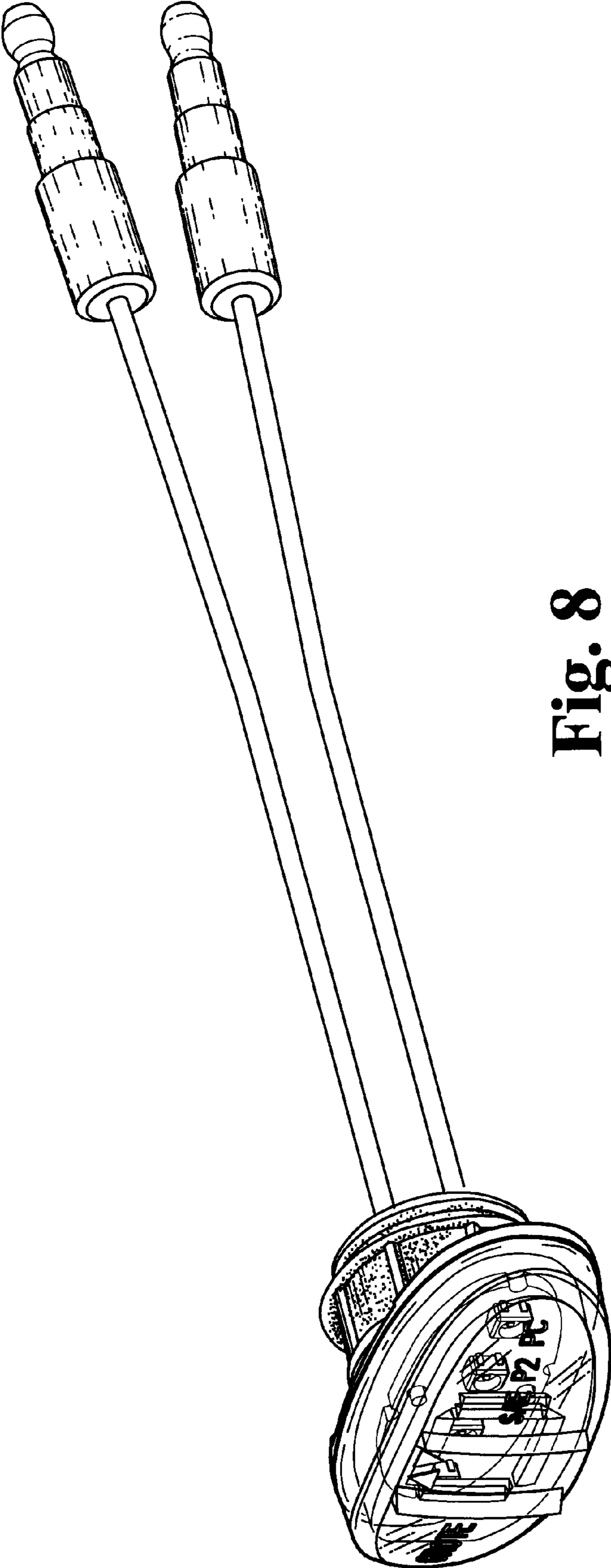


Fig. 8

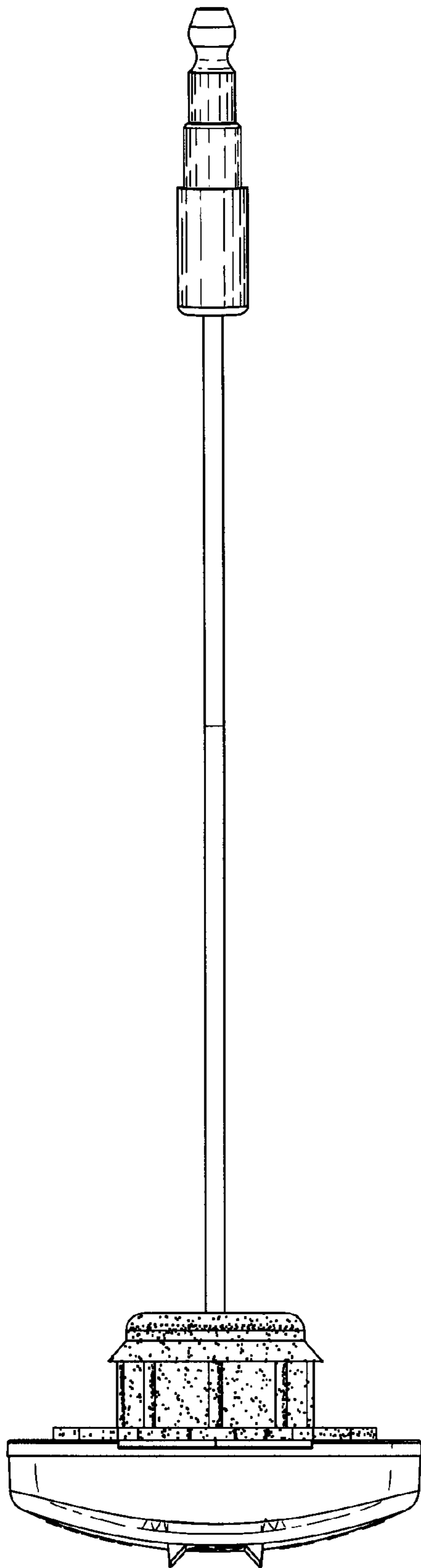


Fig. 9

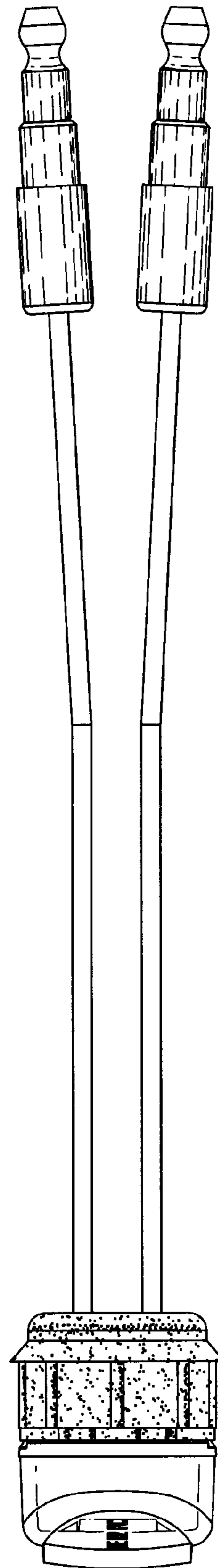


Fig. 10

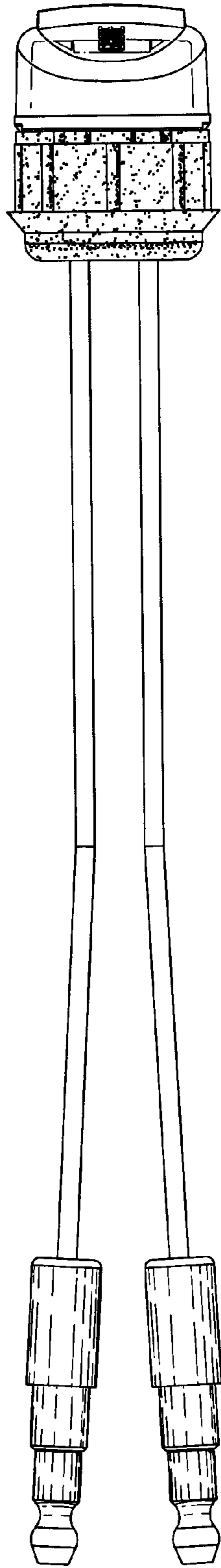


Fig. 11

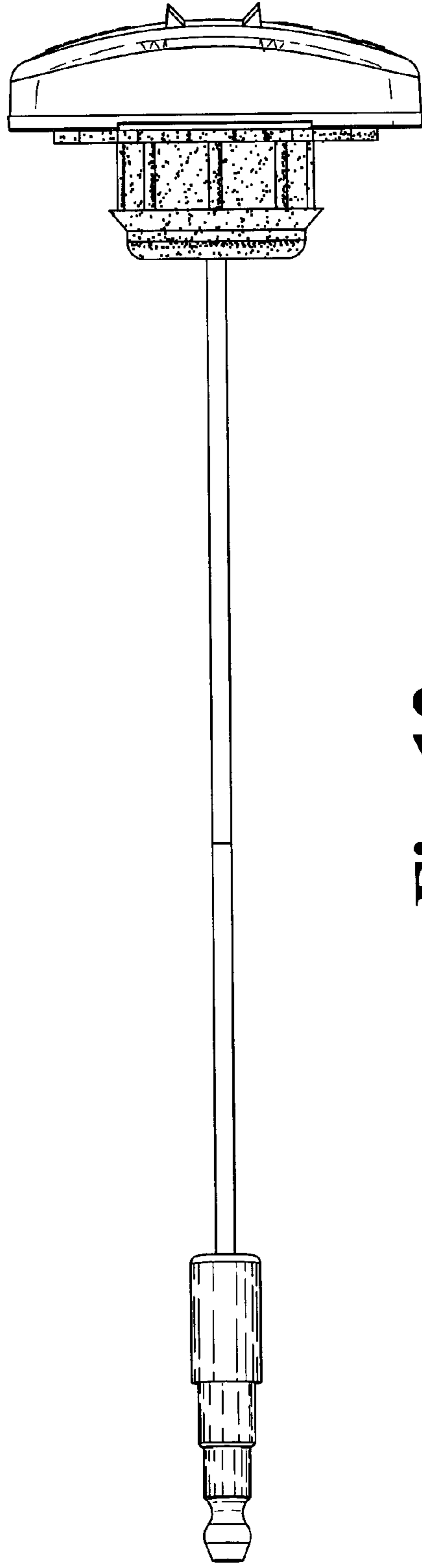


Fig. 12

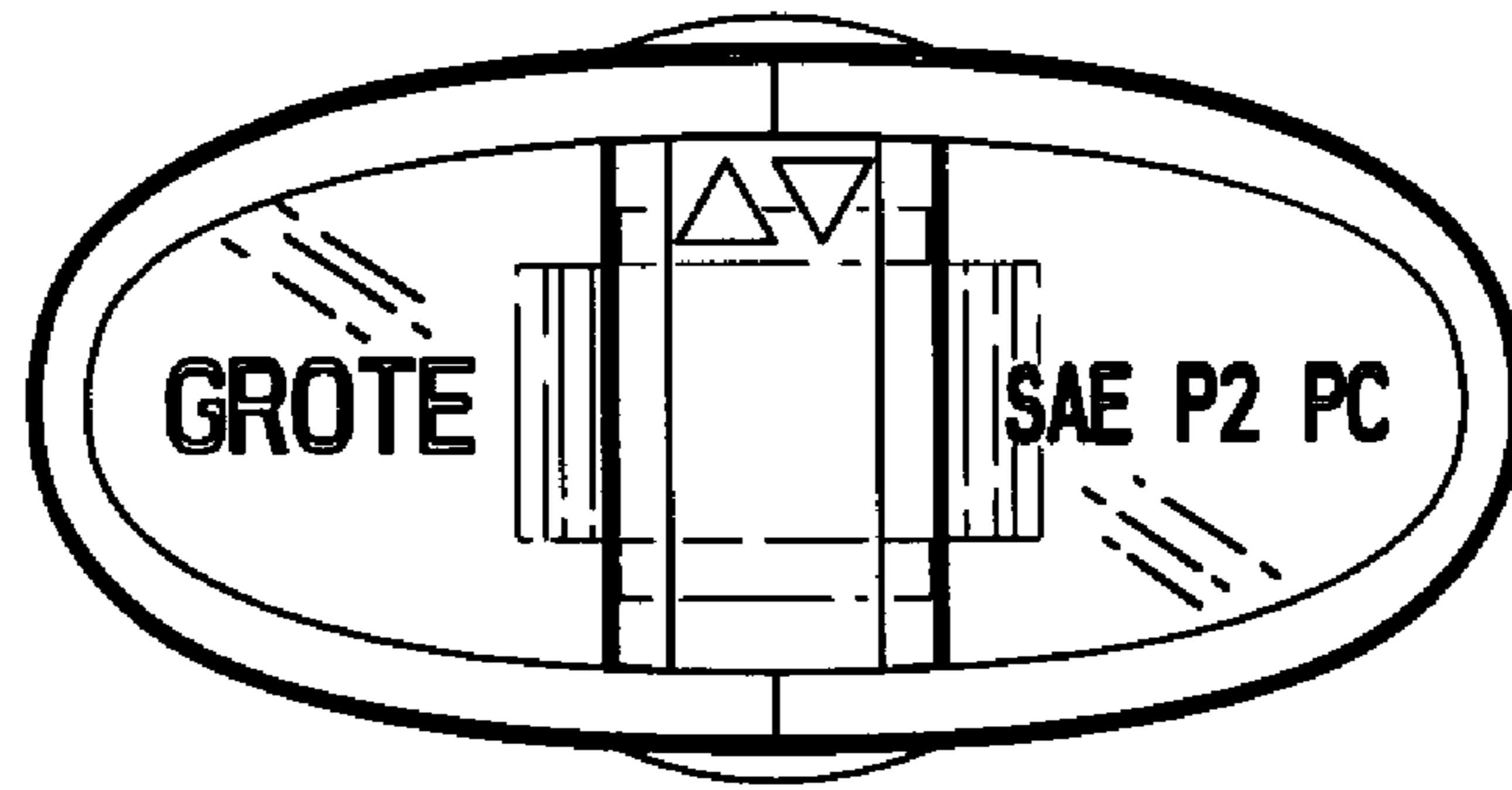


Fig. 13

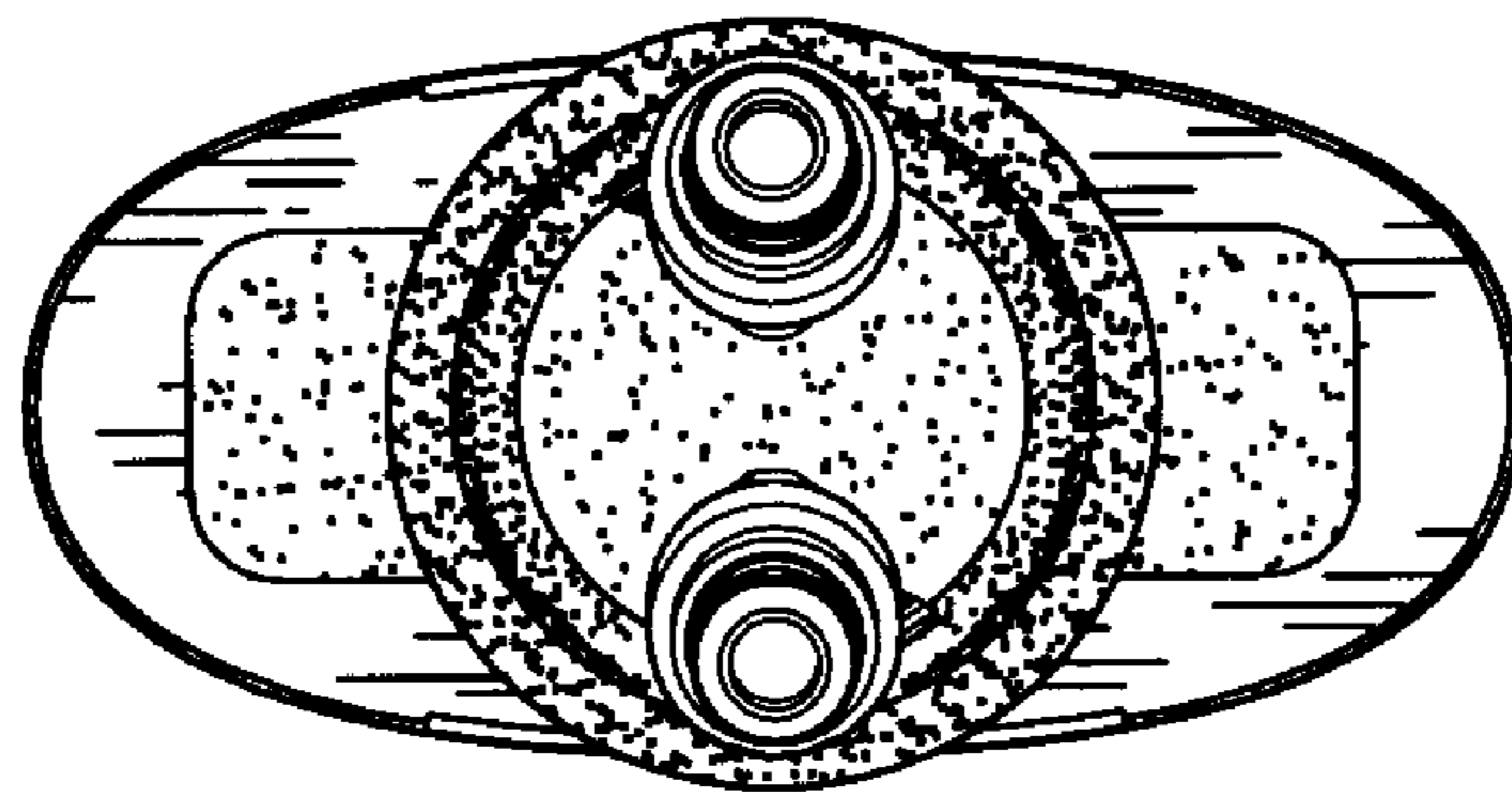


Fig. 14