

US00D524460S

(12) **United States Design Patent**  
**Lo et al.**

(10) **Patent No.:** **US D524,460 S**

(45) **Date of Patent:** **\*\* Jul. 4, 2006**

(54) **NIGHTLIGHT**

(75) Inventors: **Eddie Ying-Hoi Lo**, Tsuen Wan (HK);  
**Victor Tin-Shun Au Yeung**, Tsuen Wan (HK)

(73) Assignee: **Lomak Industrial Co., Ltd.**, Hong Kong SAR (CN)

(\*\*) Term: **14 Years**

(21) Appl. No.: **29/229,021**

(22) Filed: **May 3, 2005**

(51) **LOC (8) Cl.** ..... **26-05**

(52) **U.S. Cl.** ..... **D26/26; D26/49**

(58) **Field of Classification Search** ..... D26/26,  
D26/73, 94, 125, 127, 46, 49; 362/95, 653,  
362/640-644, 147, 404, 800, 806

See application file for complete search history.

(56) **References Cited**

**U.S. PATENT DOCUMENTS**

D111,344 S \* 9/1938 Desimone ..... D26/49  
D187,951 S \* 5/1960 Rhoades ..... D26/49  
D188,288 S \* 6/1960 Hansen et al. .... D26/49

D283,924 S \* 5/1986 Yau ..... D26/49  
D397,814 S \* 9/1998 Pun ..... D26/26  
D399,014 S \* 9/1998 Emmerling ..... D26/26  
D471,654 S \* 3/2003 Schenck ..... D26/26  
D494,299 S \* 8/2004 Dalton et al. .... D26/49  
2003/0231493 A1 \* 12/2003 Lee ..... 362/226

\* cited by examiner

*Primary Examiner*—Clare E Heflin

(74) *Attorney, Agent, or Firm*—Burns Doane Swecker & Mathis

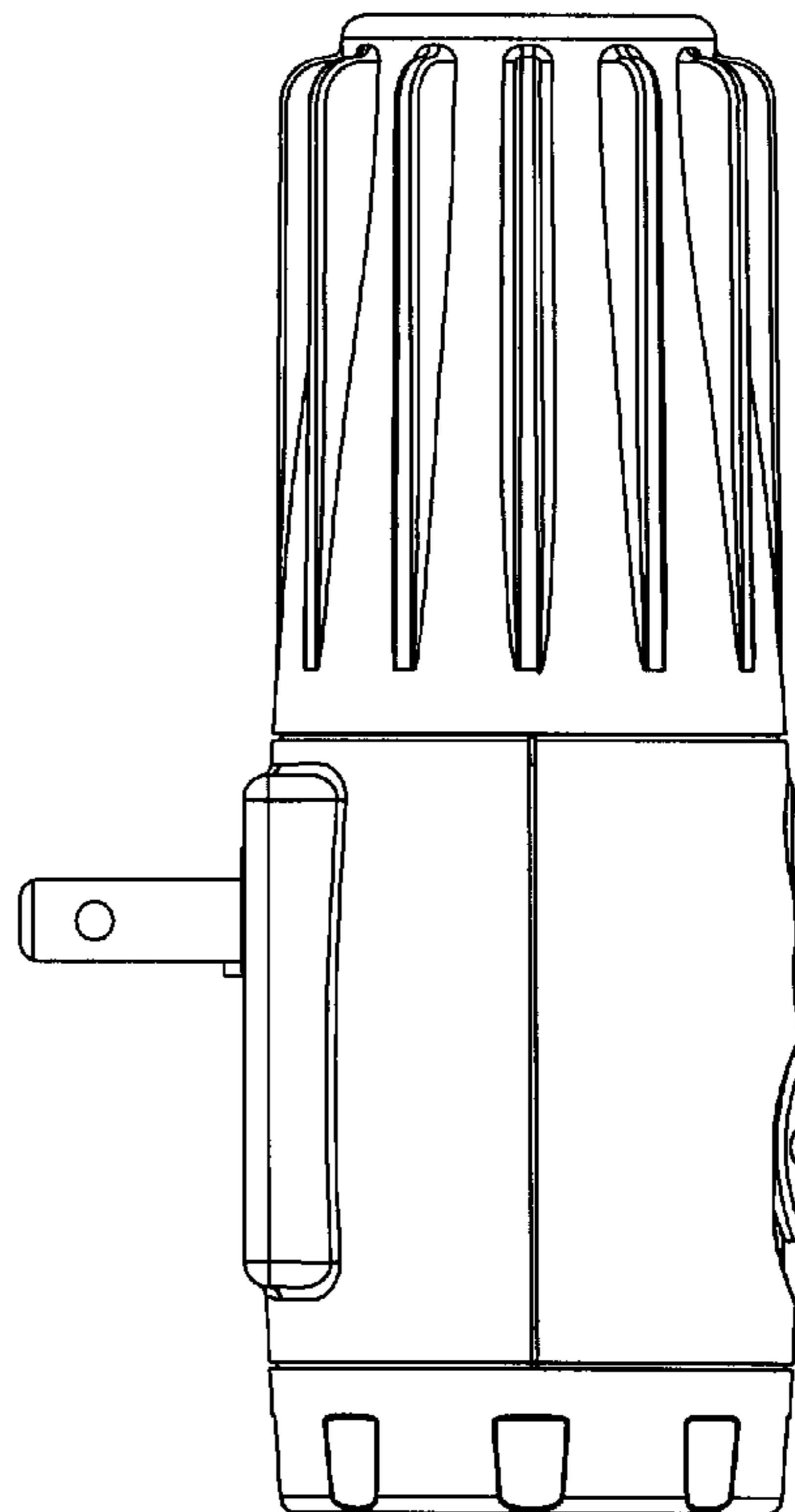
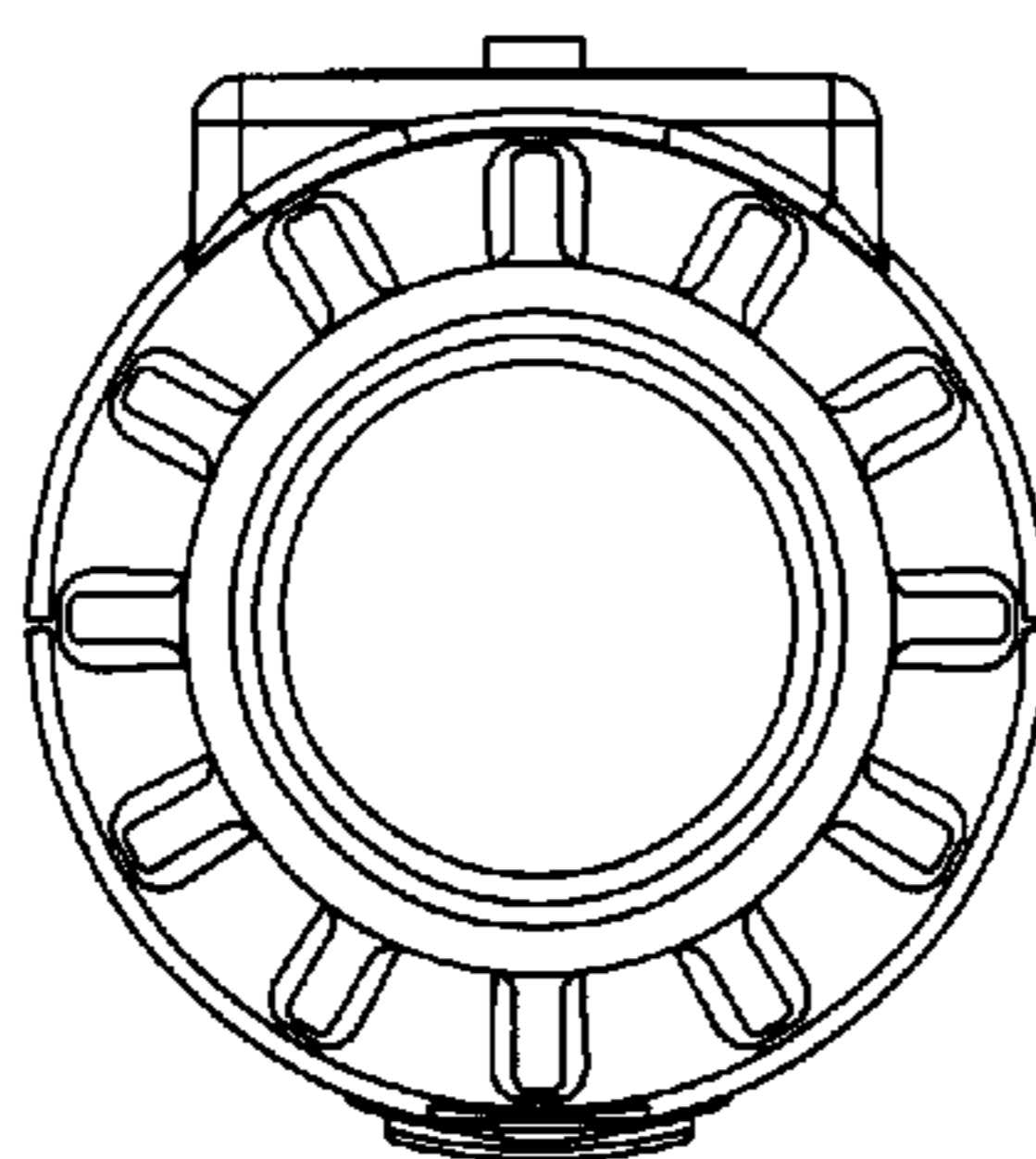
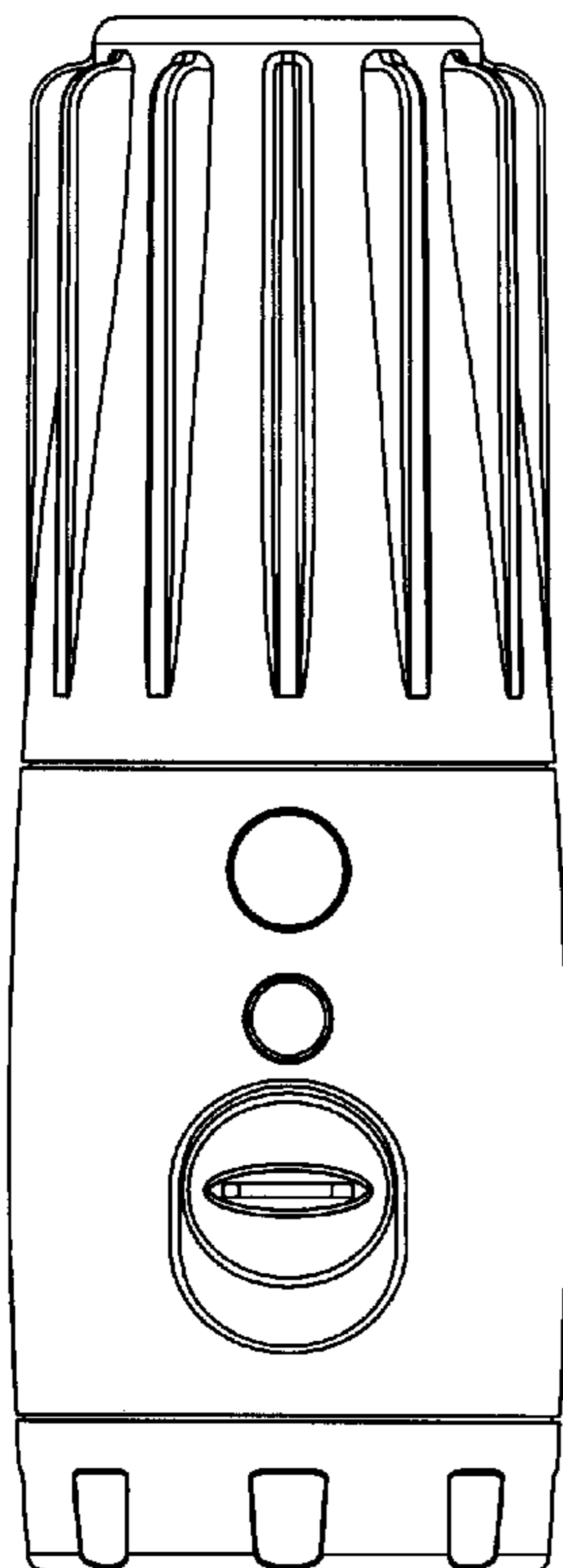
(57) **CLAIM**

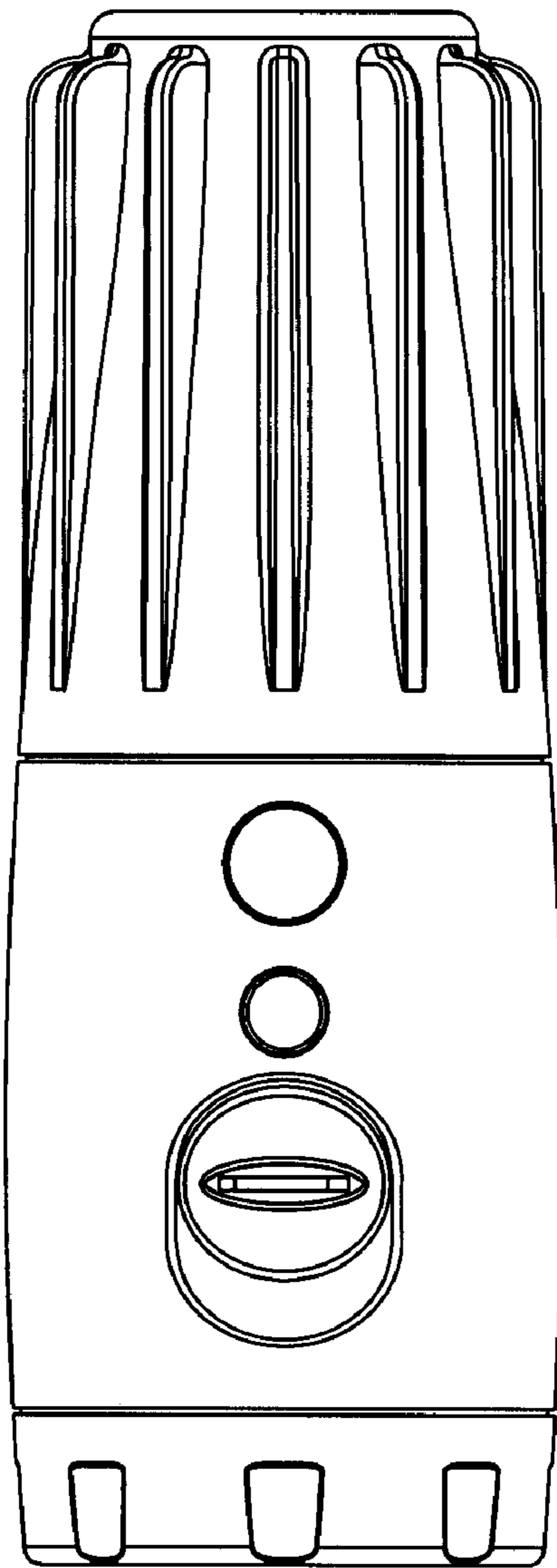
The ornamental design for a “nightlight,” as shown and described.

**DESCRIPTION**

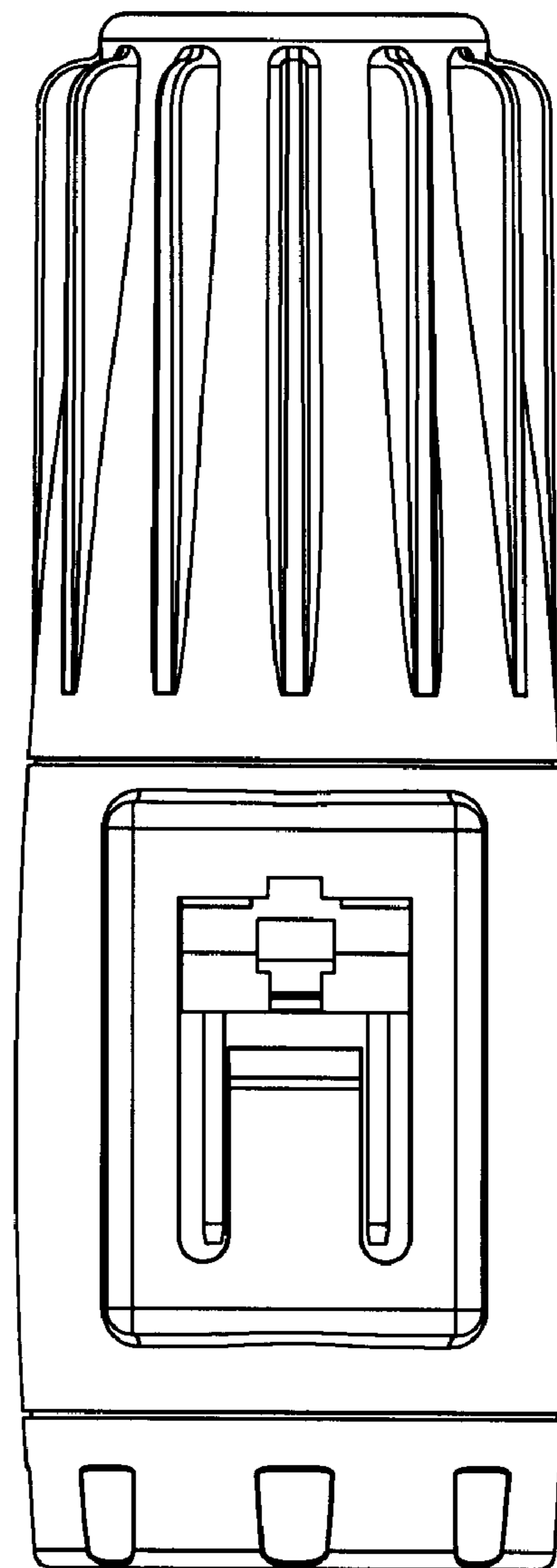
FIG. 1 is a front view of a “nightlight” showing our design; FIG. 2 is a rear view thereof; FIG. 3 is a left side view thereof; FIG. 4 is a right side view thereof; FIG. 5 is a top plan view thereof; FIG. 6 is a bottom plan view thereof; FIG. 7 is a left side view thereof with prongs extended; and, FIG. 8 is a bottom plan view thereof with prongs extended.

**1 Claim, 3 Drawing Sheets**

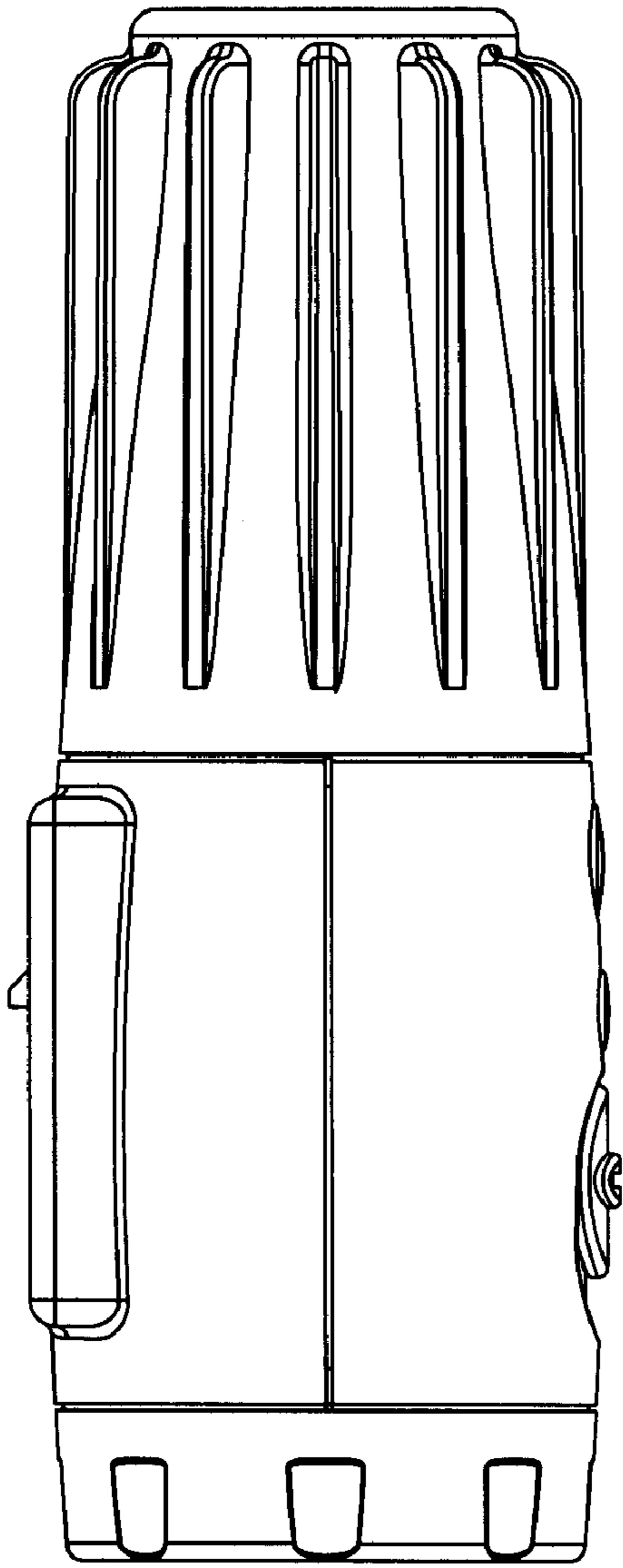




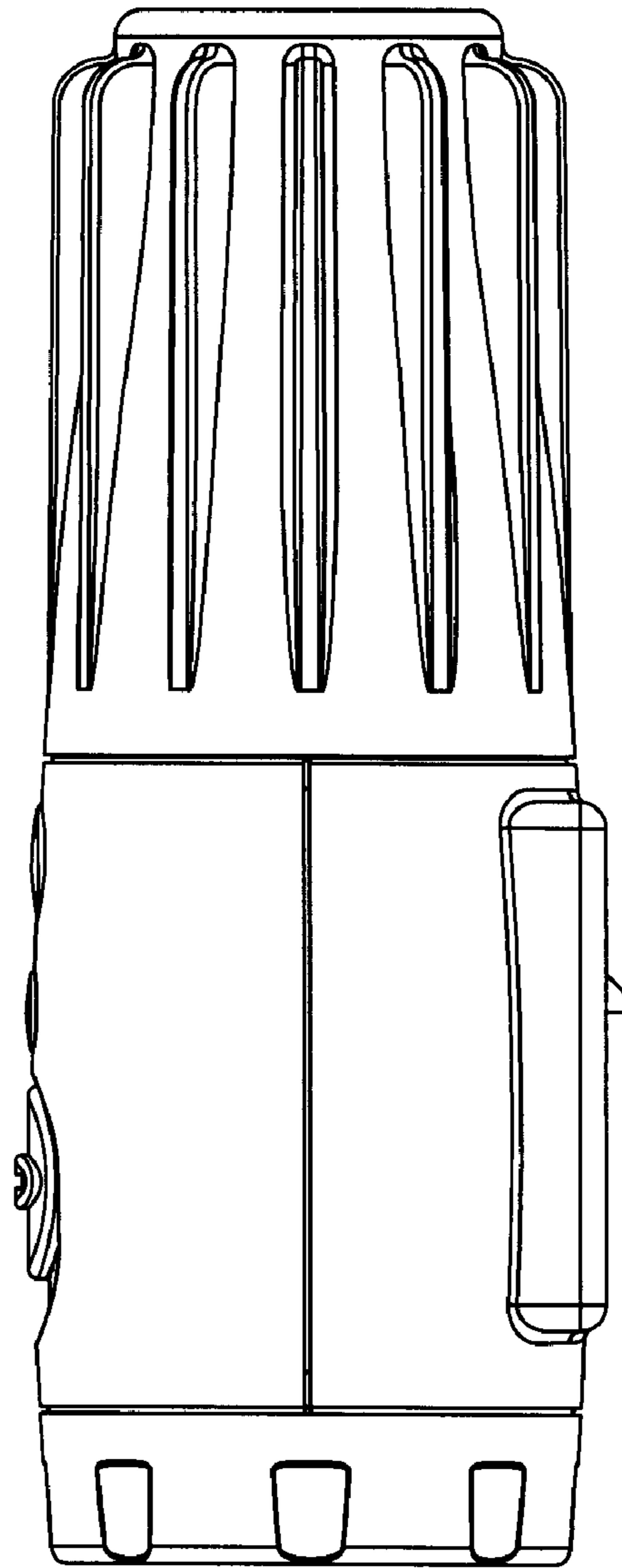
**Fig. 1**



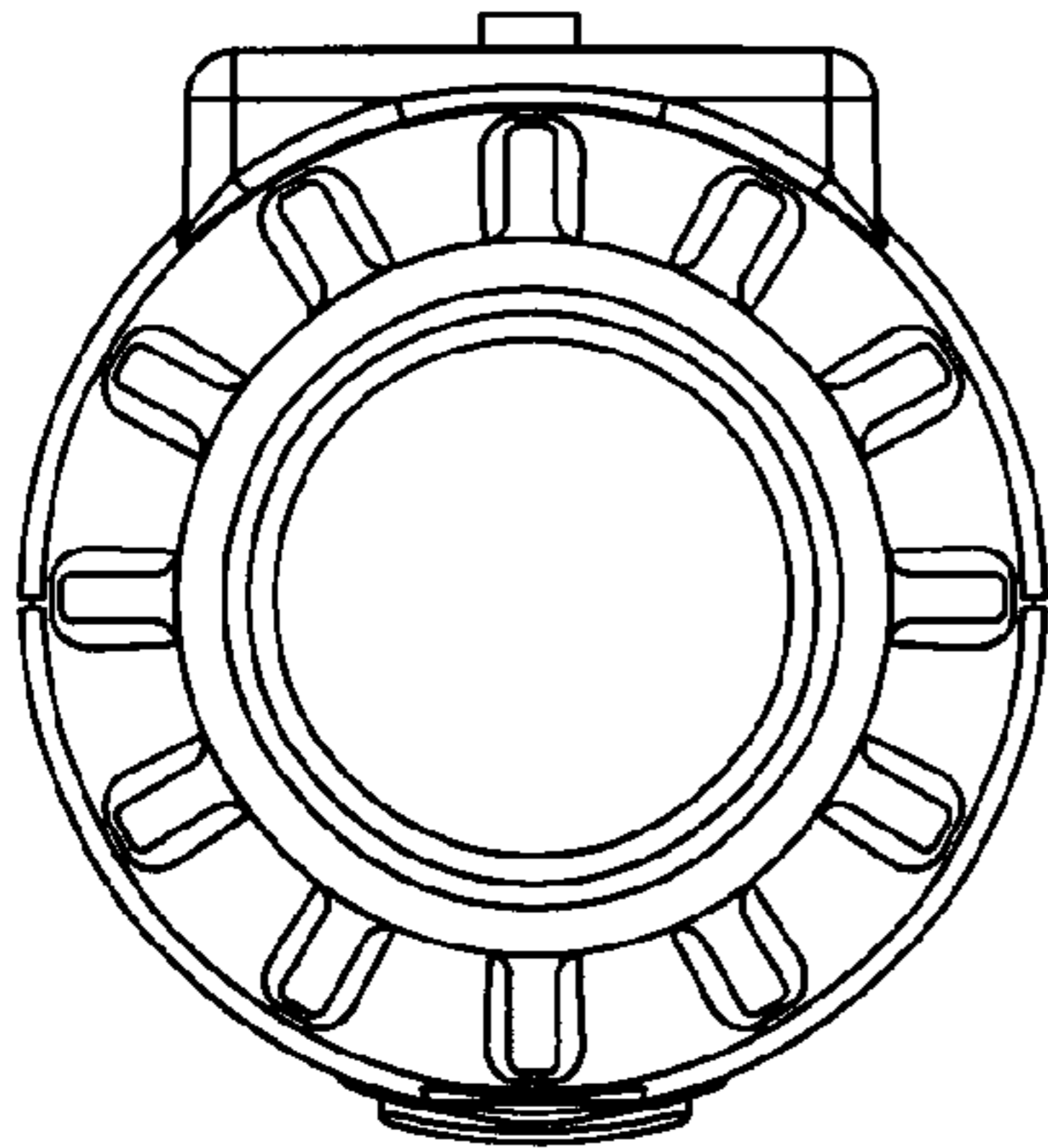
**Fig. 2**



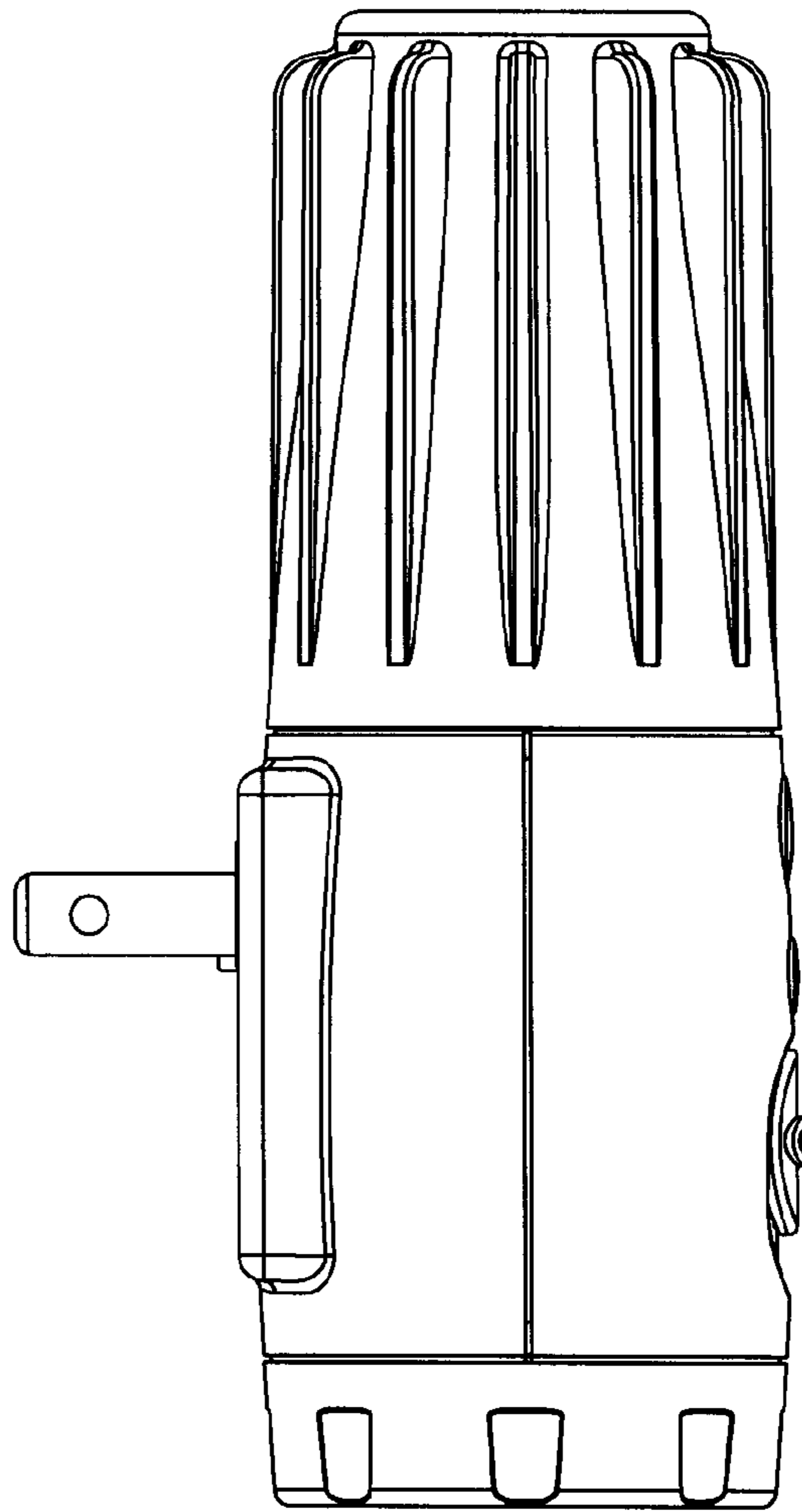
**Fig. 3**



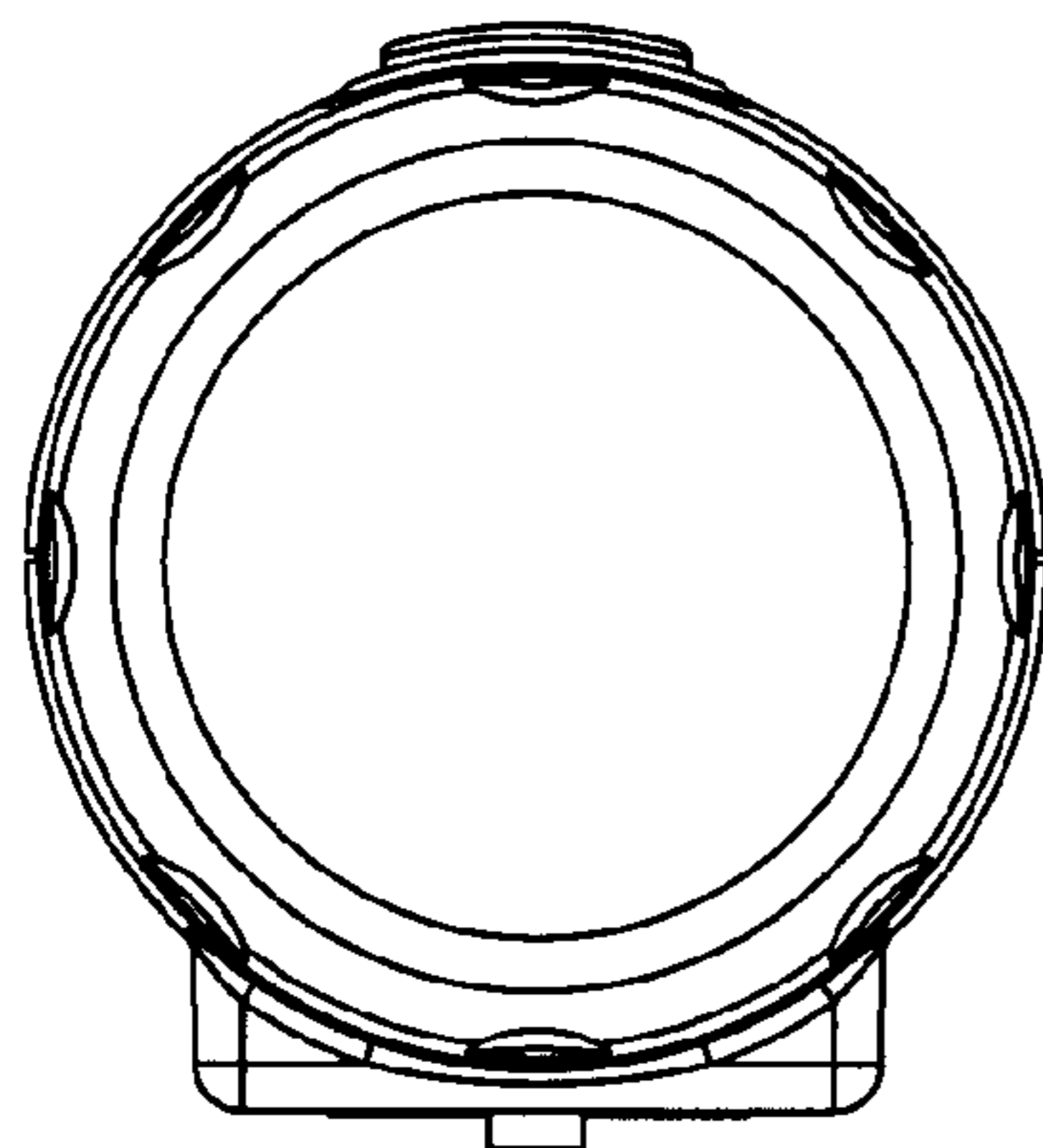
**Fig. 4**



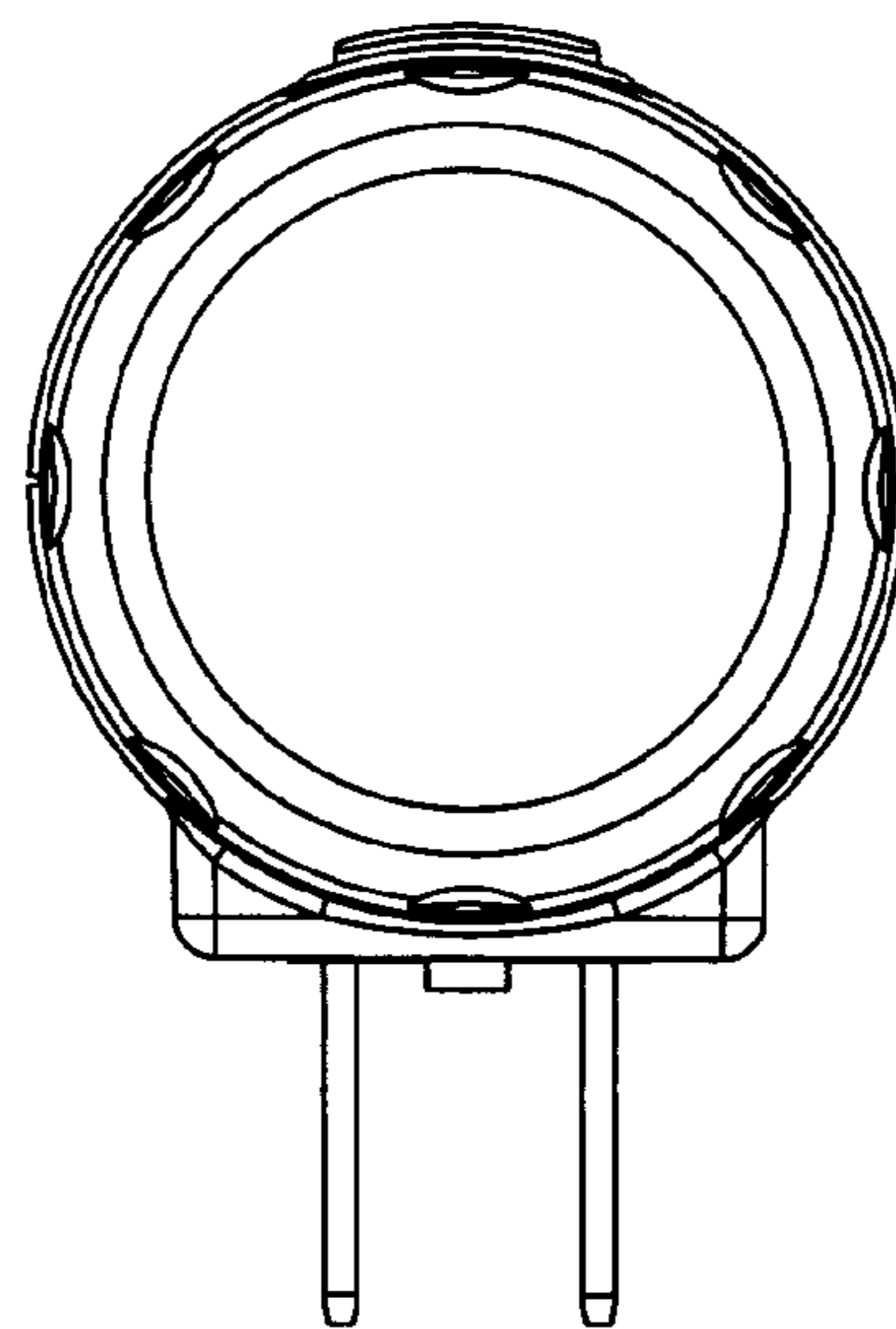
**Fig. 5**



**Fig. 7**



**Fig. 6**



**Fig. 8**