



US00D524456S

(12) **United States Design Patent**
Yuen

(10) **Patent No.:** **US D524,456 S**
(45) **Date of Patent:** **** Jul. 4, 2006**

(54) **LED SENSOR NIGHT LIGHT**

(76) **Inventor:** **Se Kit Yuen**, 6/F., Yan Lee Centre, 46 Hoi Yuen Road, Kwun Tong, Kowloon, Hong Kong (CN)

(**) **Term:** **14 Years**

(21) **Appl. No.:** **29/196,633**

(22) **Filed:** **Jan. 2, 2004**

(51) **LOC (8) Cl.** **26-05**

(52) **U.S. Cl.** **D26/26**

(58) **Field of Classification Search** D26/26,
D26/73, 94, 125, 127; 362/95, 653, 640-644,
362/147, 404, 800, 806
See application file for complete search history.

(56) **References Cited**

U.S. PATENT DOCUMENTS

D274,369 S *	6/1984	Schwartz	D26/26
D288,967 S *	3/1987	Naft	D26/26
D348,111 S *	6/1994	Yuen	D26/26
6,390,647 B1 *	5/2002	Shaefer	362/276
2006/0007709 A1 *	1/2006	Yuen	362/641

OTHER PUBLICATIONS

“Maxxima” LED Night Light No. MLN-09 from amazon.com. Found online Jan. 13, 2006.*
110V AC White LED night light, item #B0006UTF6Y from amazon.com. Found online Jan. 13, 2006.*

* cited by examiner

Primary Examiner—Clare E Heflin

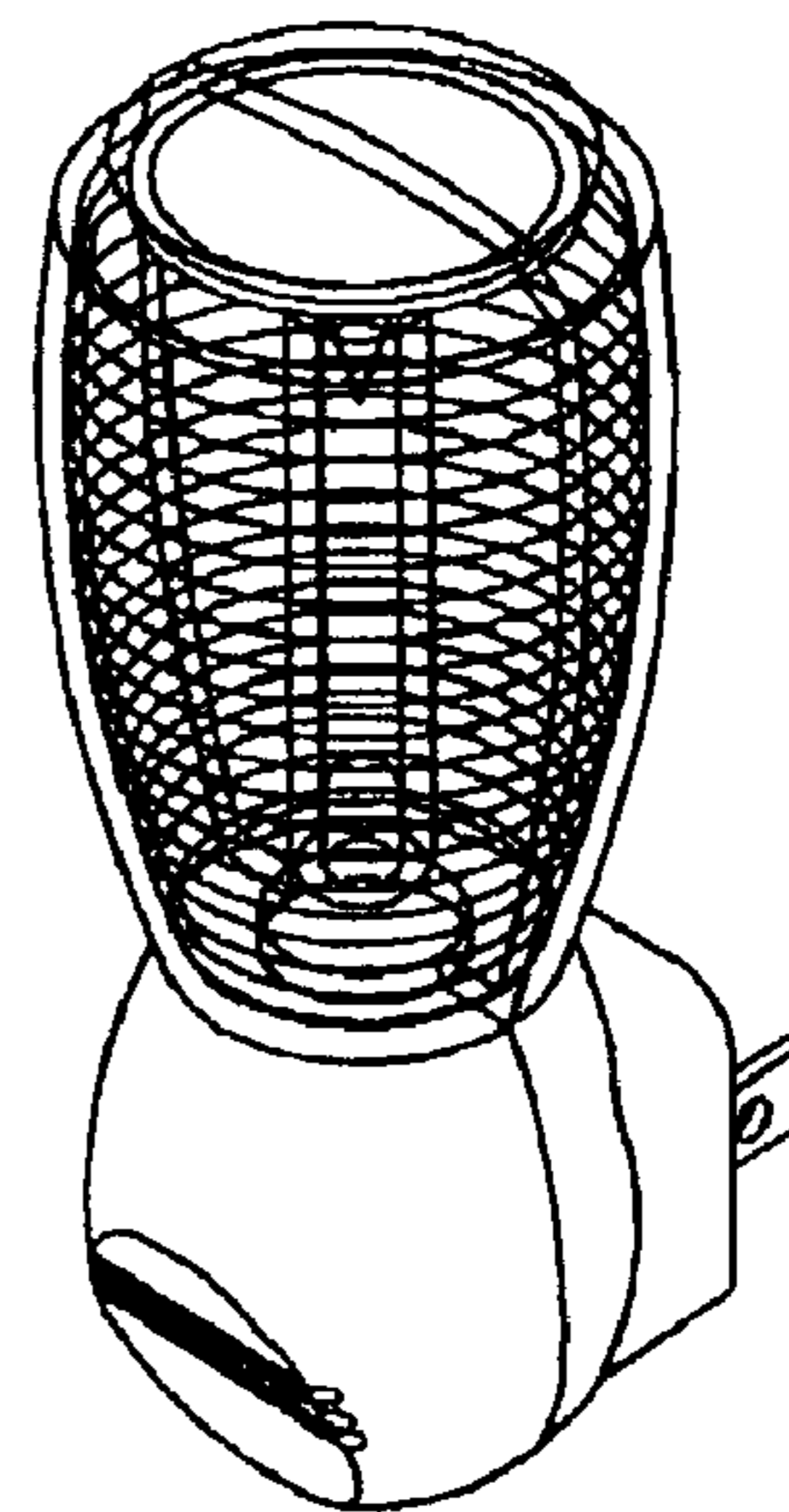
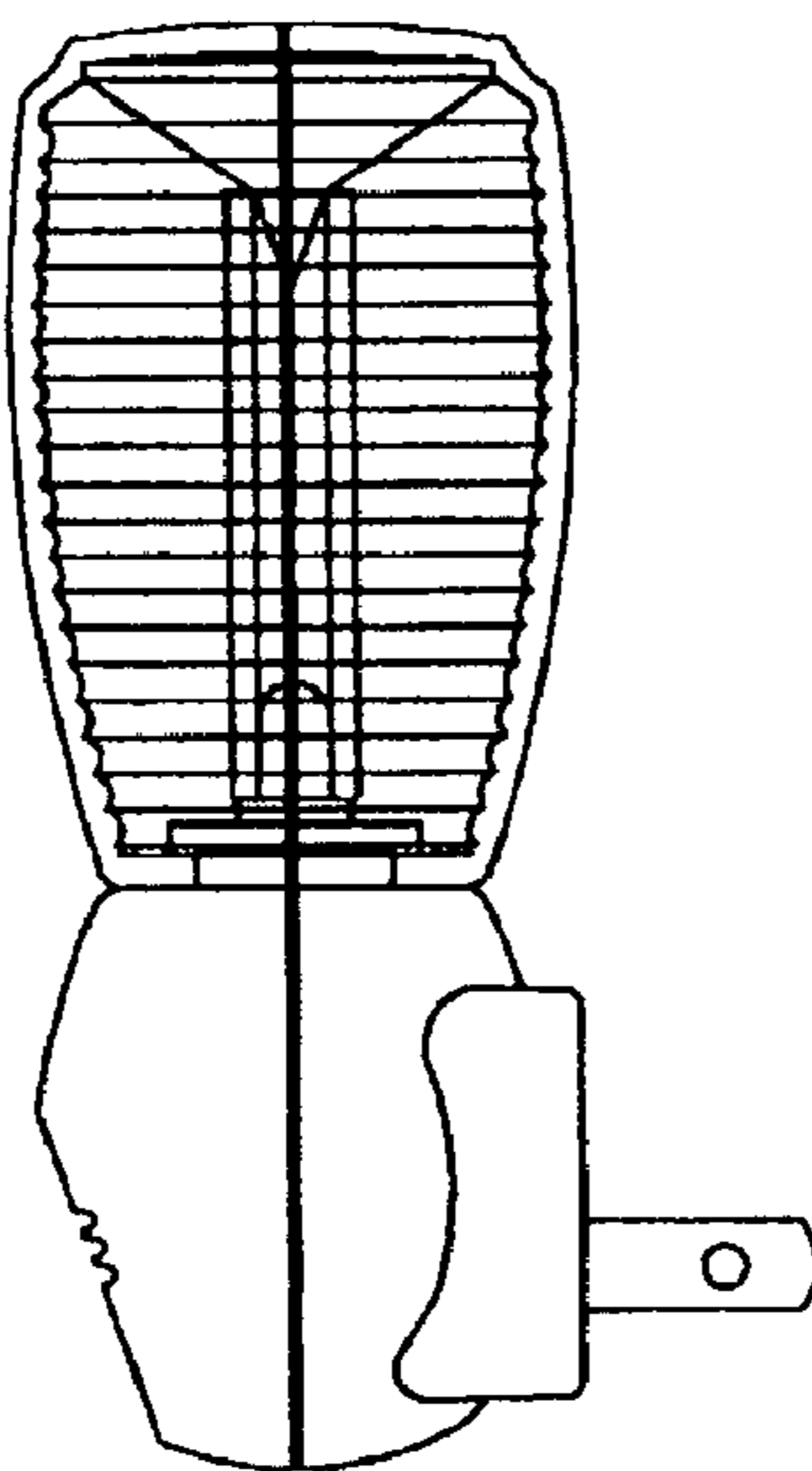
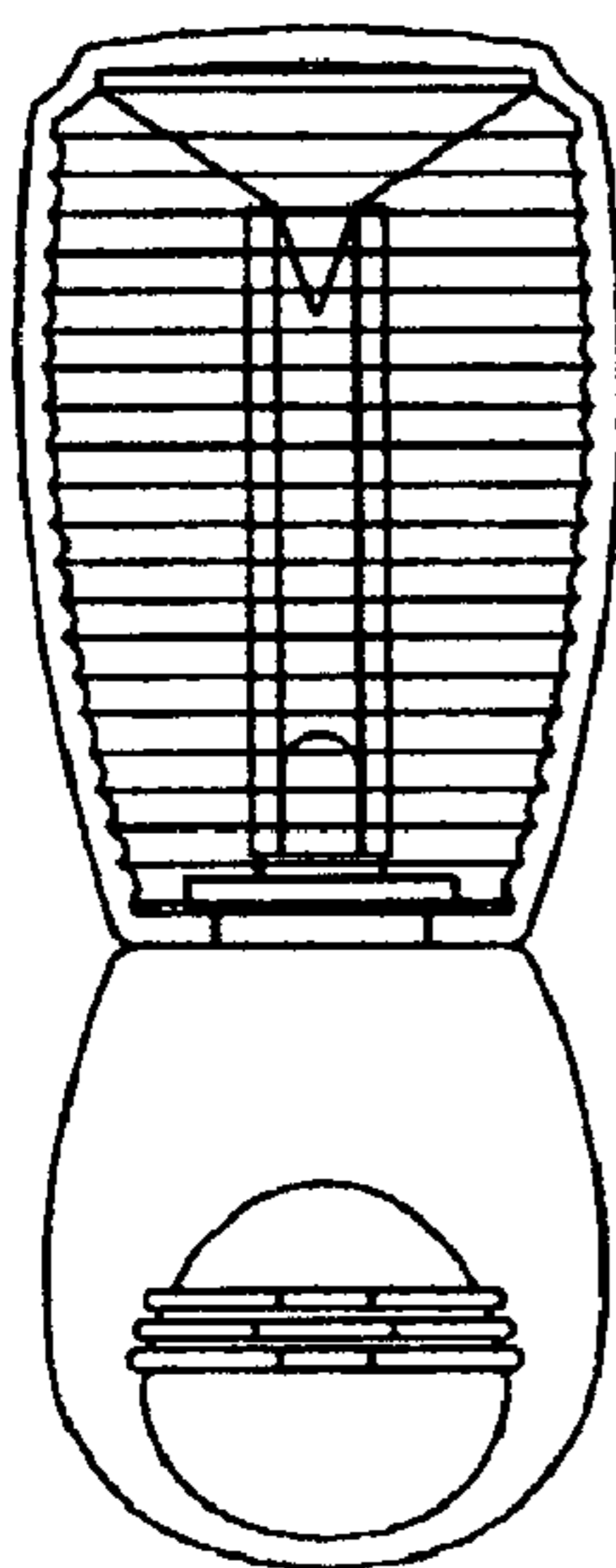
(57) **CLAIM**

The ornamental design for an LED sensor night light, as shown and described.

DESCRIPTION

FIG. 1 is a front view showing my new design.
FIG. 2 is a rear view thereof.
FIG. 3 is a left end view thereof.
FIG. 4 is a right end view thereof.
FIG. 5 is a top view thereof.
FIG. 6 is a bottom view thereof.
FIG. 7 is a perspective view thereof; and,
FIG. 8 is another perspective view thereof.
The surface(s) or portion(s) of the article not shown in the drawing or described in the specification form(s) no part of the claimed design.

1 Claim, 8 Drawing Sheets



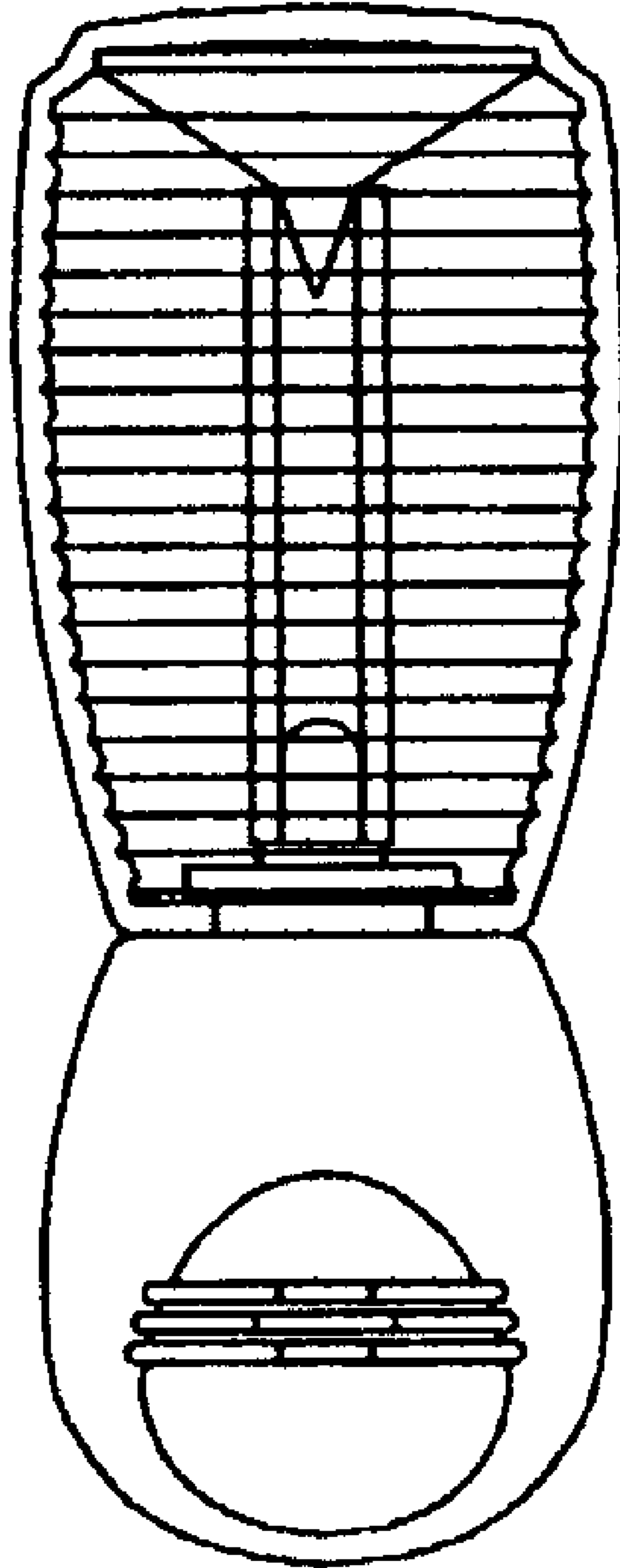


Fig. 1

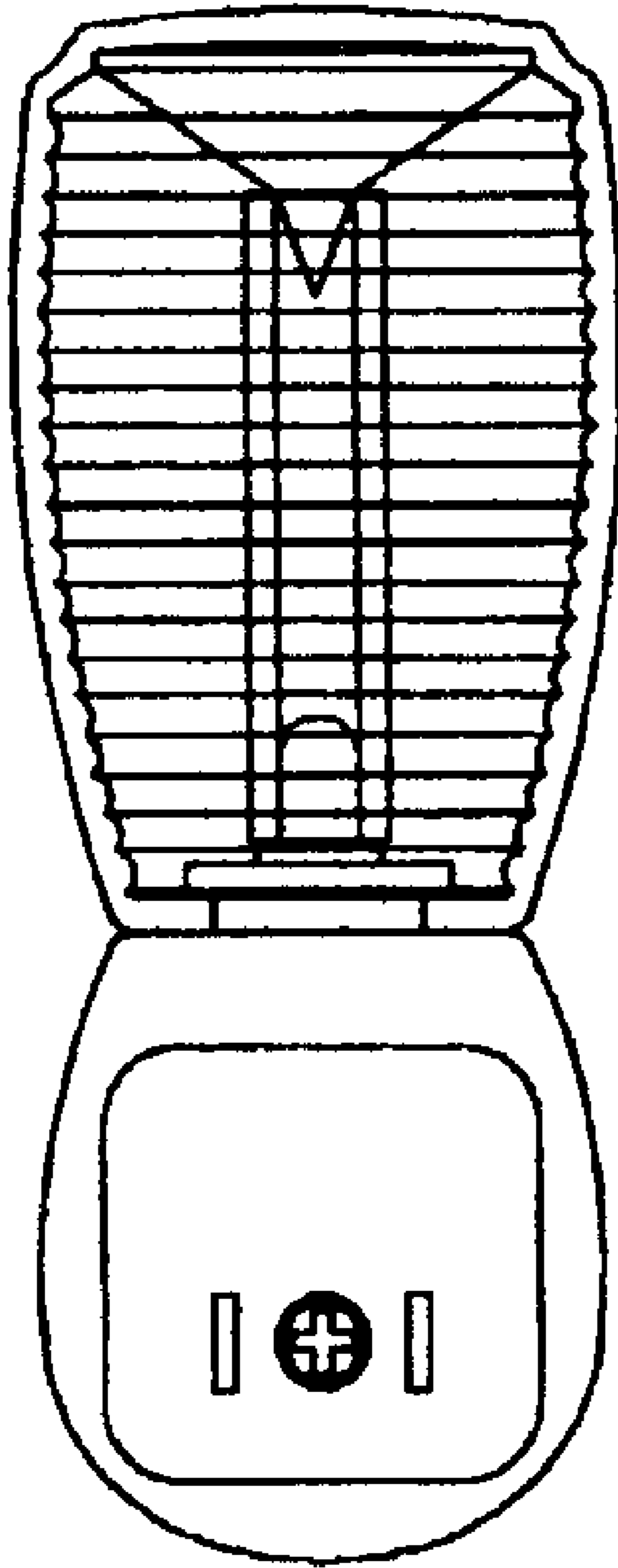


Fig. 2

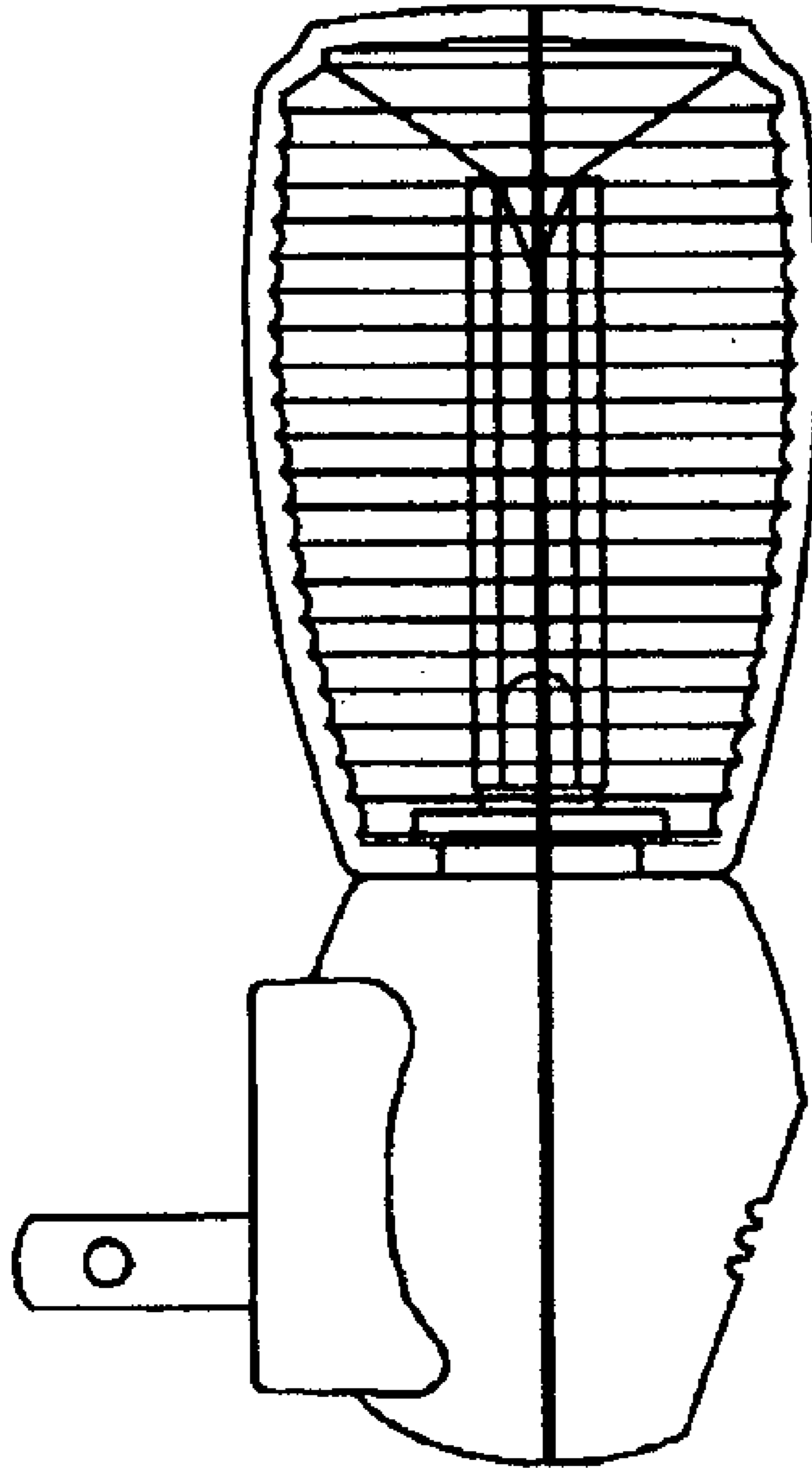


Fig. 3

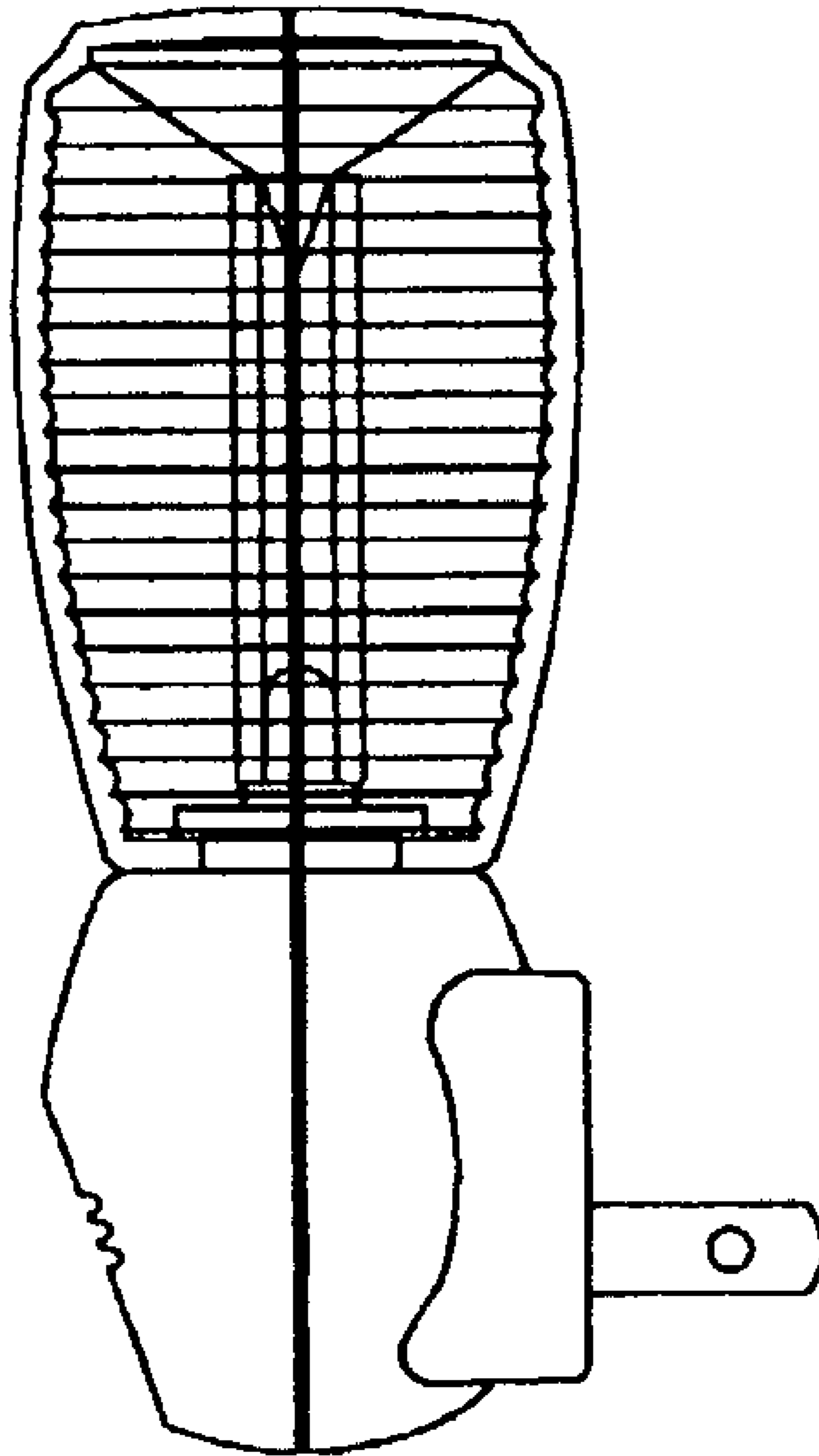


Fig. 4

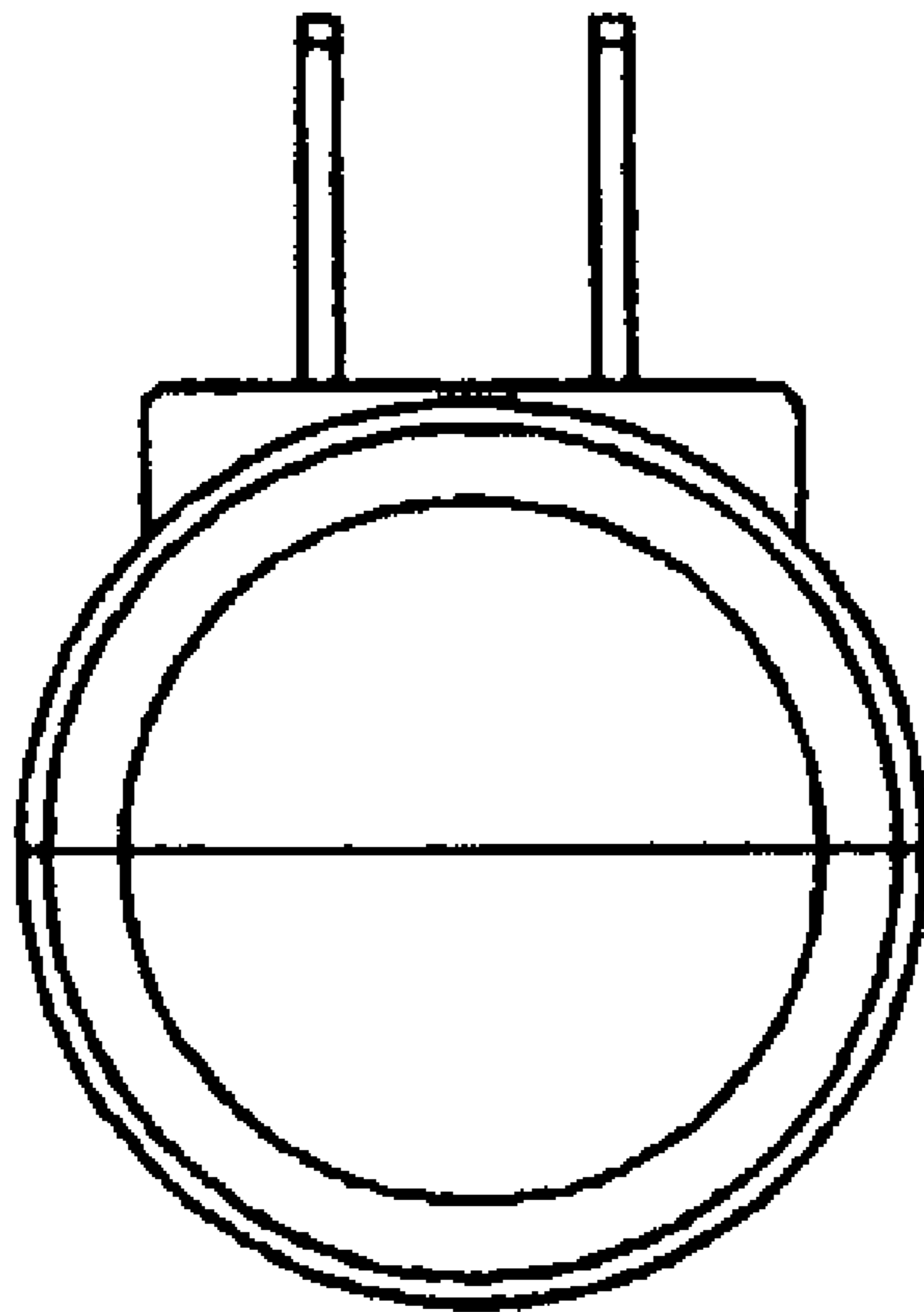


Fig. 5

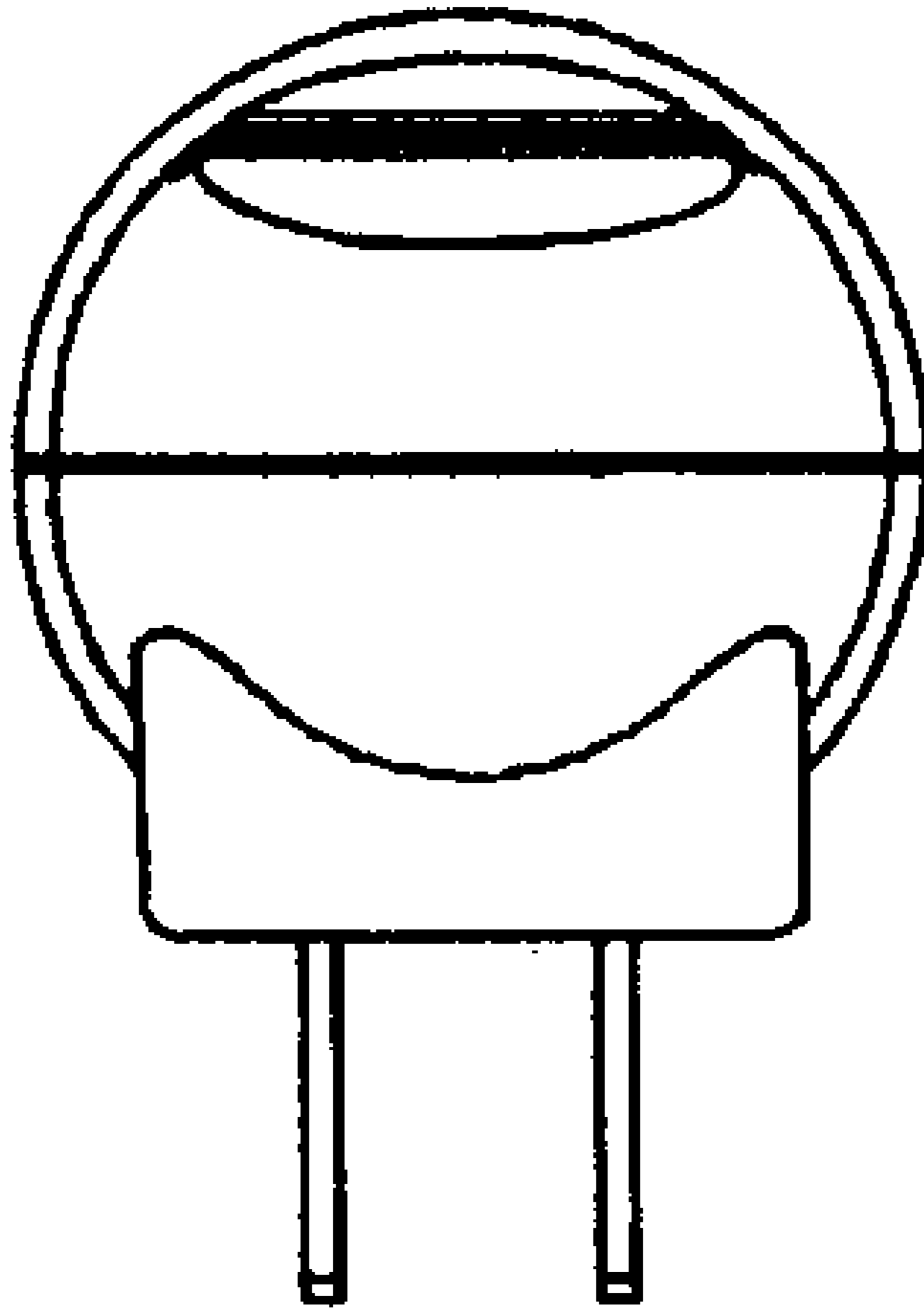


Fig. 6

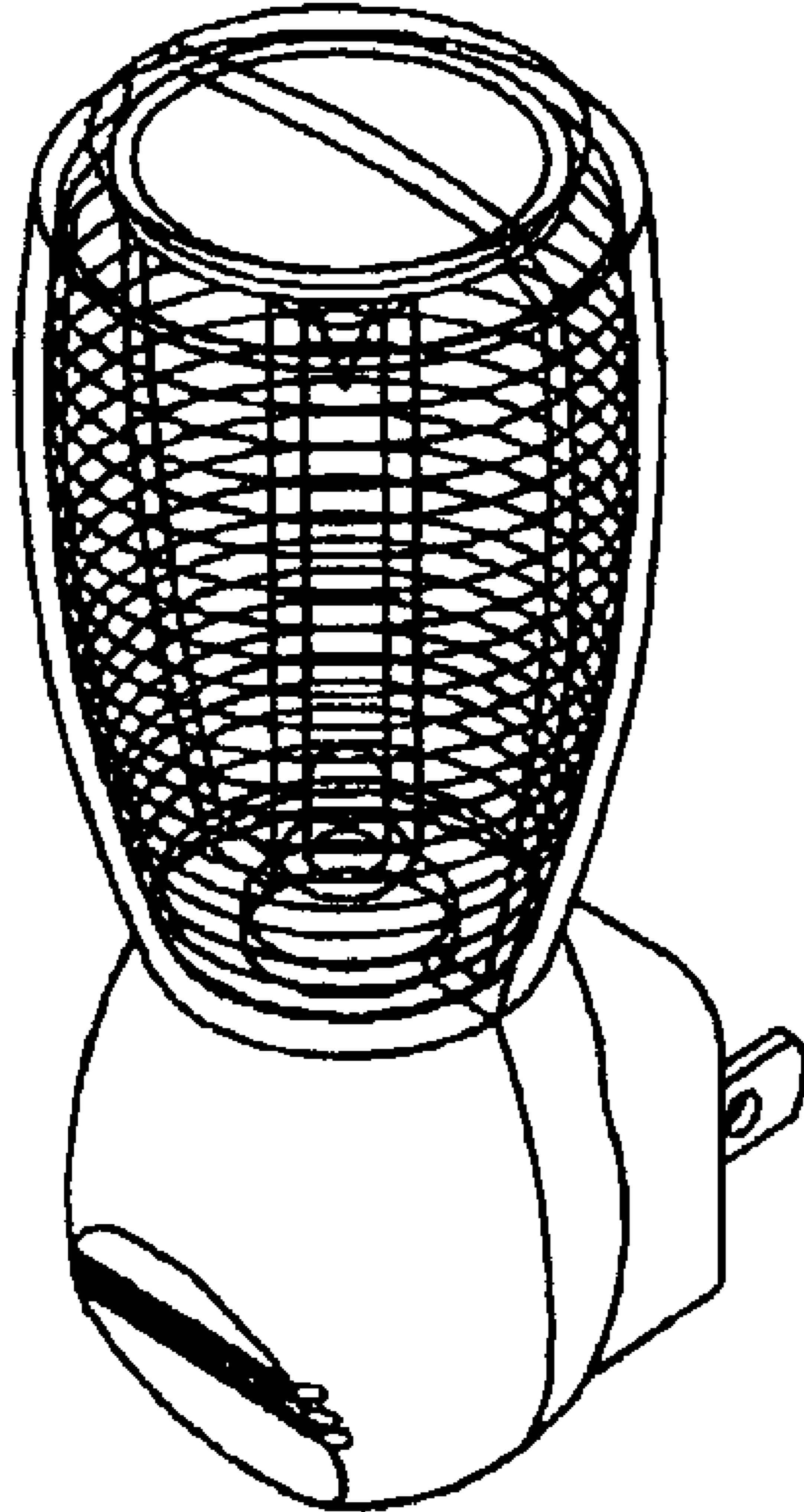


Fig. 7

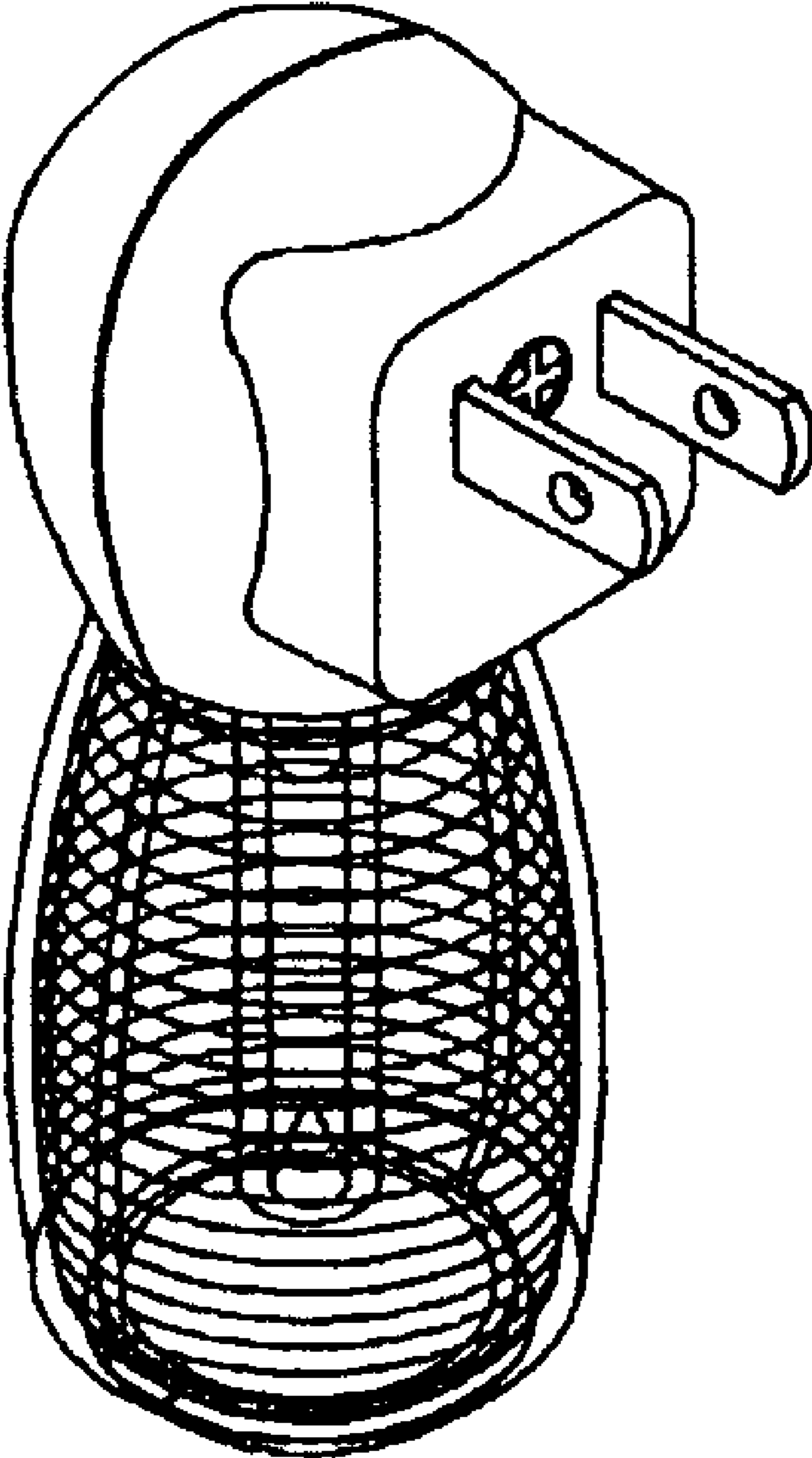


Fig. 8