



US00D524455S

(12) **United States Design Patent**  
**George et al.**

(10) **Patent No.:** **US D524,455 S**  
(45) **Date of Patent:** **\*\* Jul. 4, 2006**

(54) **ROOF TILE**

D467,671 S \* 12/2002 Suzuki ..... D25/140

(75) Inventors: **Gareth Henry George**, Redhill (GB);  
**Evan Alun Parry**, Claygate (GB)

\* cited by examiner

(73) Assignee: **Lafarge Roofing Technical Centers Limited**, Crawley (GB)

*Primary Examiner*—Doris Clark

(74) *Attorney, Agent, or Firm*—Nils H. Ljungman & Associates

(\*\*) Term: **14 Years**

(57) **CLAIM**

The ornamental design for a roof tile, as shown and described.

(21) Appl. No.: **29/187,540**

(22) Filed: **Aug. 1, 2003**

**DESCRIPTION**

(30) **Foreign Application Priority Data**

Feb. 5, 2003 (GB) ..... 3010638

FIG. 1 is a three-dimensional top view of a roof tile according to an embodiment of the present invention.

FIG. 2 is a top view of the roof tile shown in FIG. 1.

FIG. 3 is a bottom view of the roof tile shown in FIG. 1.

FIG. 4 is a left side view of the roof tile shown in FIG. 1.

FIG. 5 is a right side view of the roof tile shown in FIG. 1.

FIG. 6 is a front side view of the roof tile shown in FIG. 1.

FIG. 7 is a back side view of the roof tile shown in FIG. 1;

and,

FIG. 8 is a three-dimensional bottom view of the roof tile shown in FIG. 1.

(51) **LOC (8) Cl.** ..... **25-01**

(52) **U.S. Cl.** ..... **D25/140**

(58) **Field of Classification Search** ..... D25/140;  
52/522, 566, 553

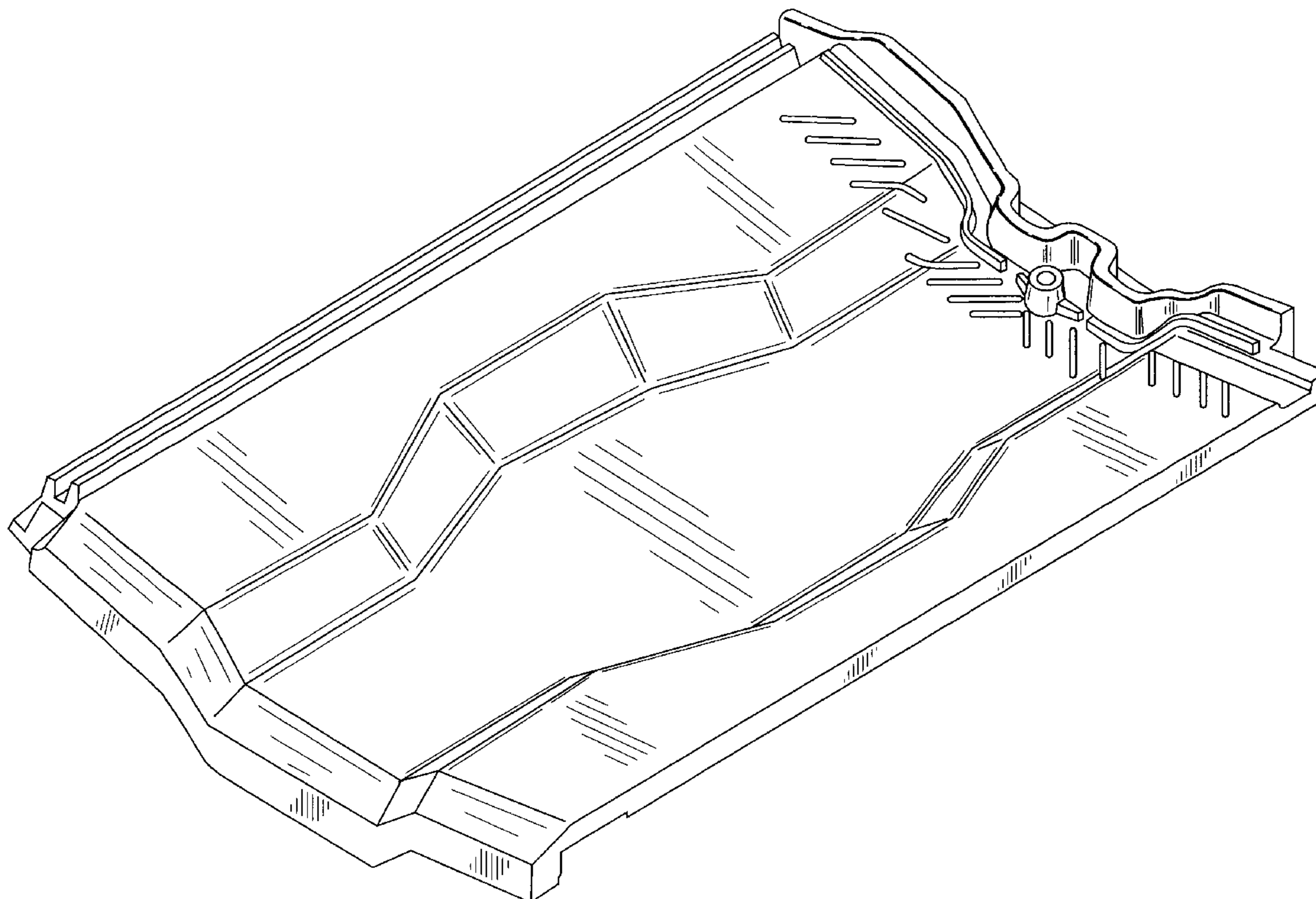
See application file for complete search history.

(56) **References Cited**

**U.S. PATENT DOCUMENTS**

6,365,824 B1 \* 4/2002 Nakazima et al. .... 136/251

**1 Claim, 6 Drawing Sheets**



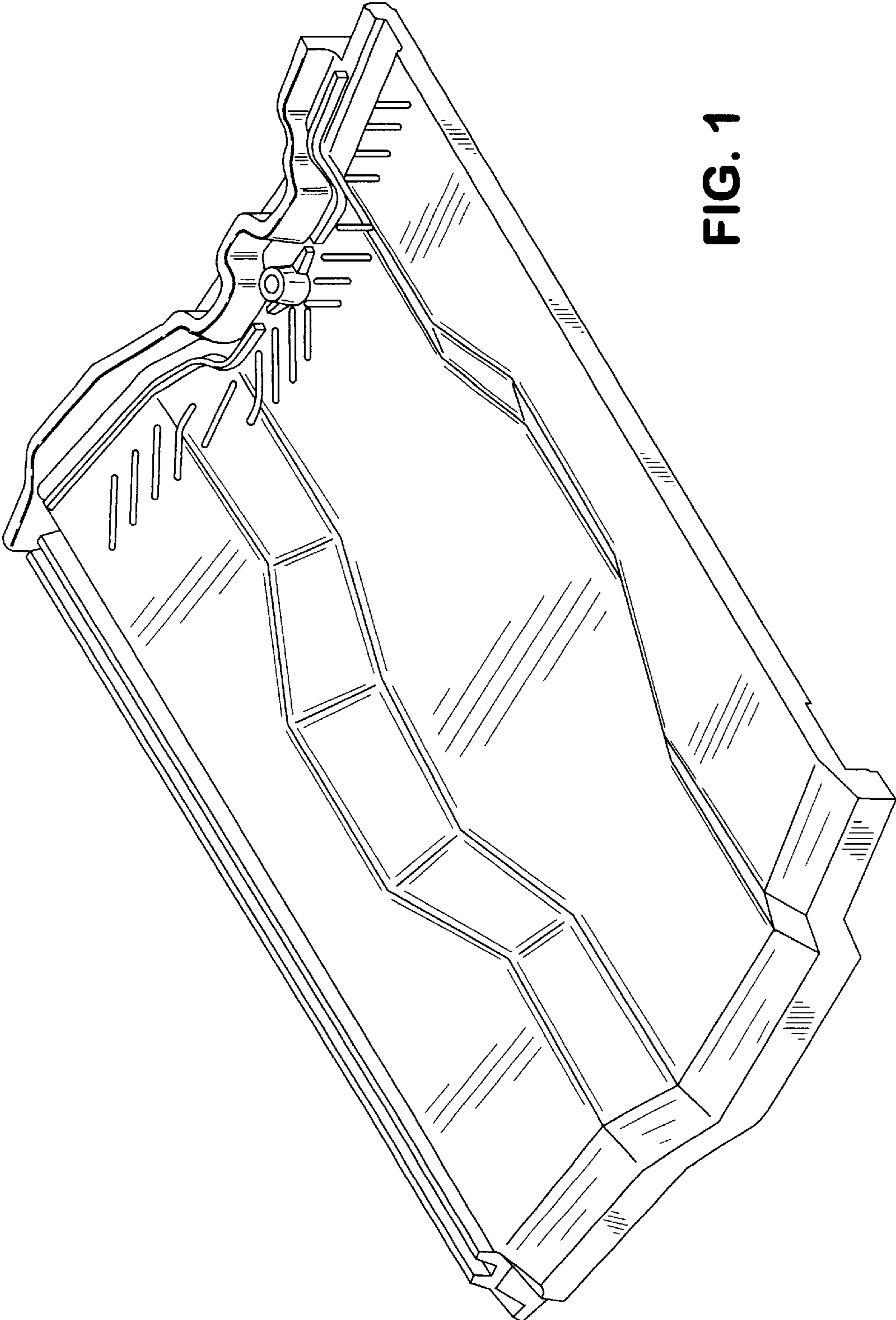


FIG. 1

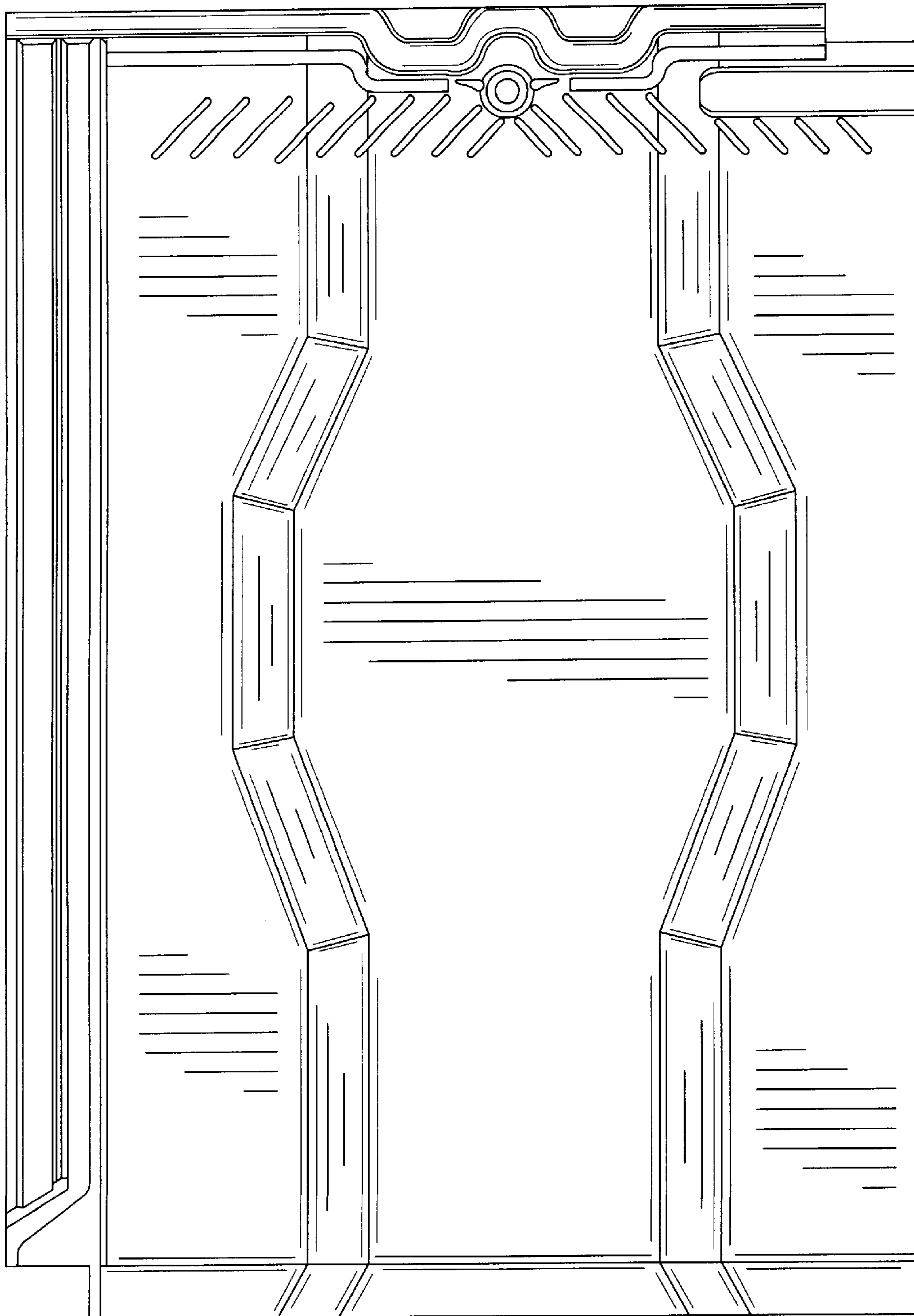


FIG. 2

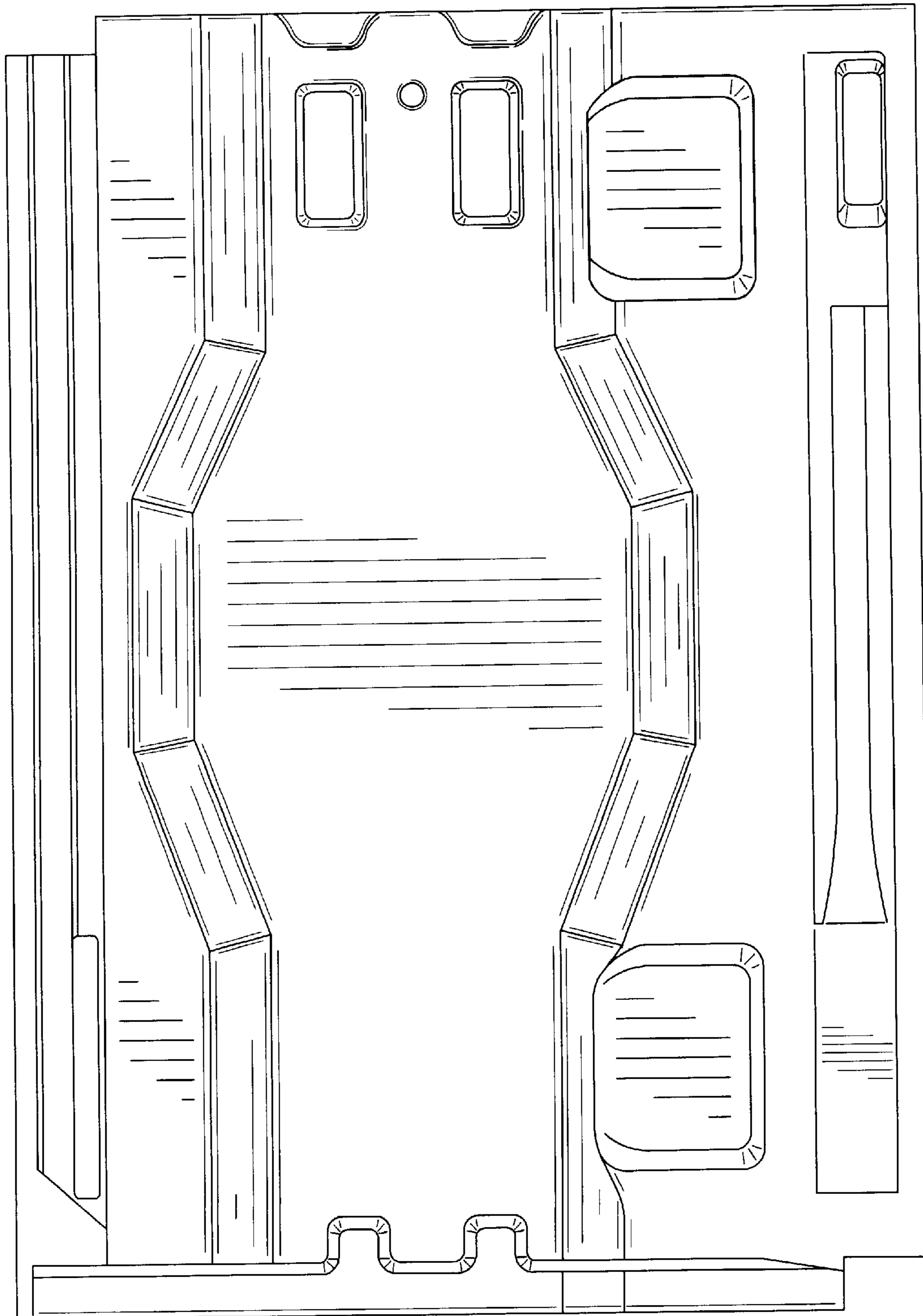
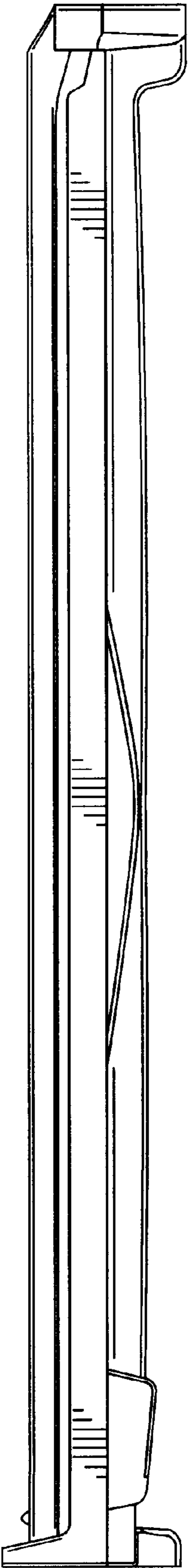
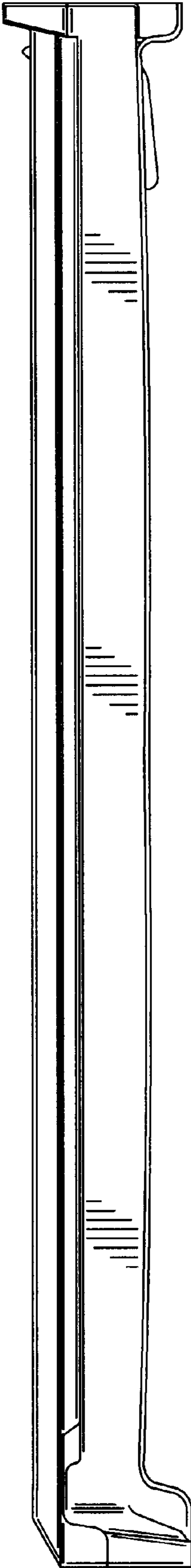


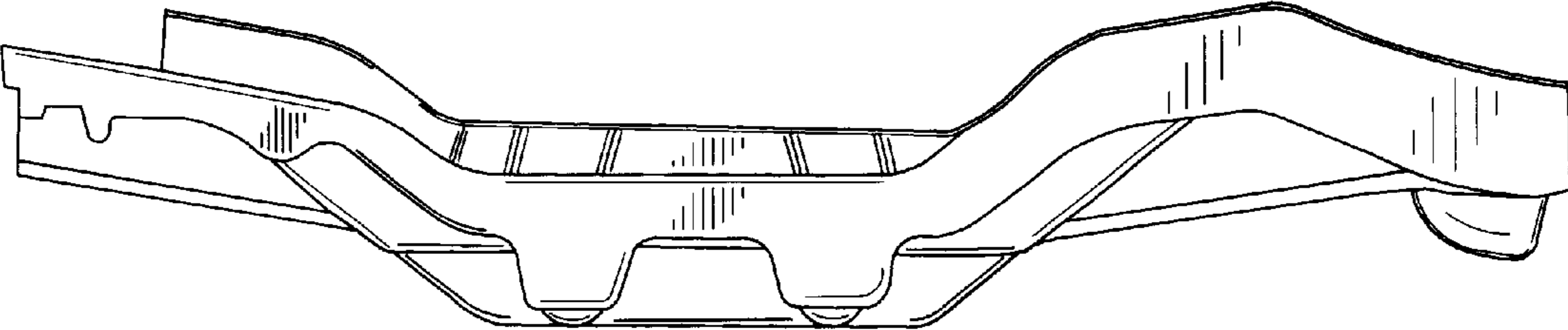
FIG. 3



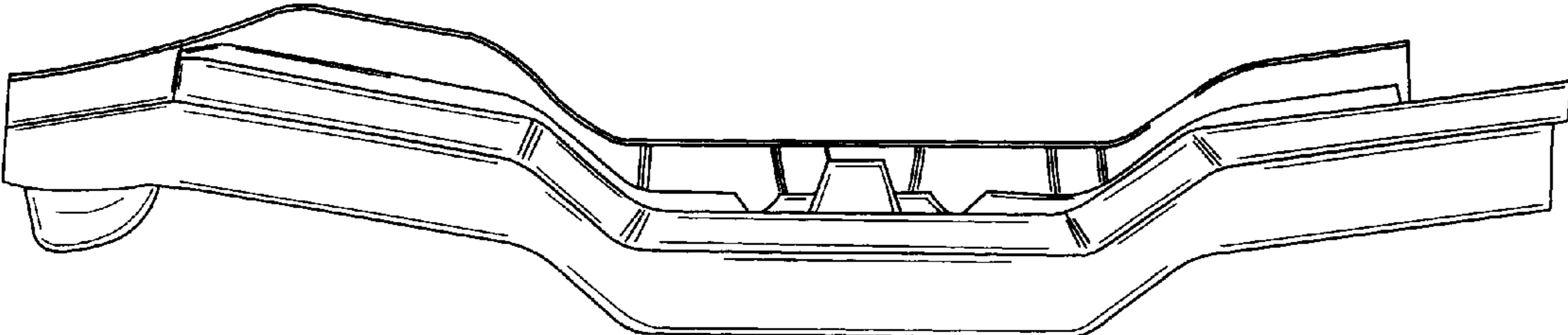
**FIG. 4**



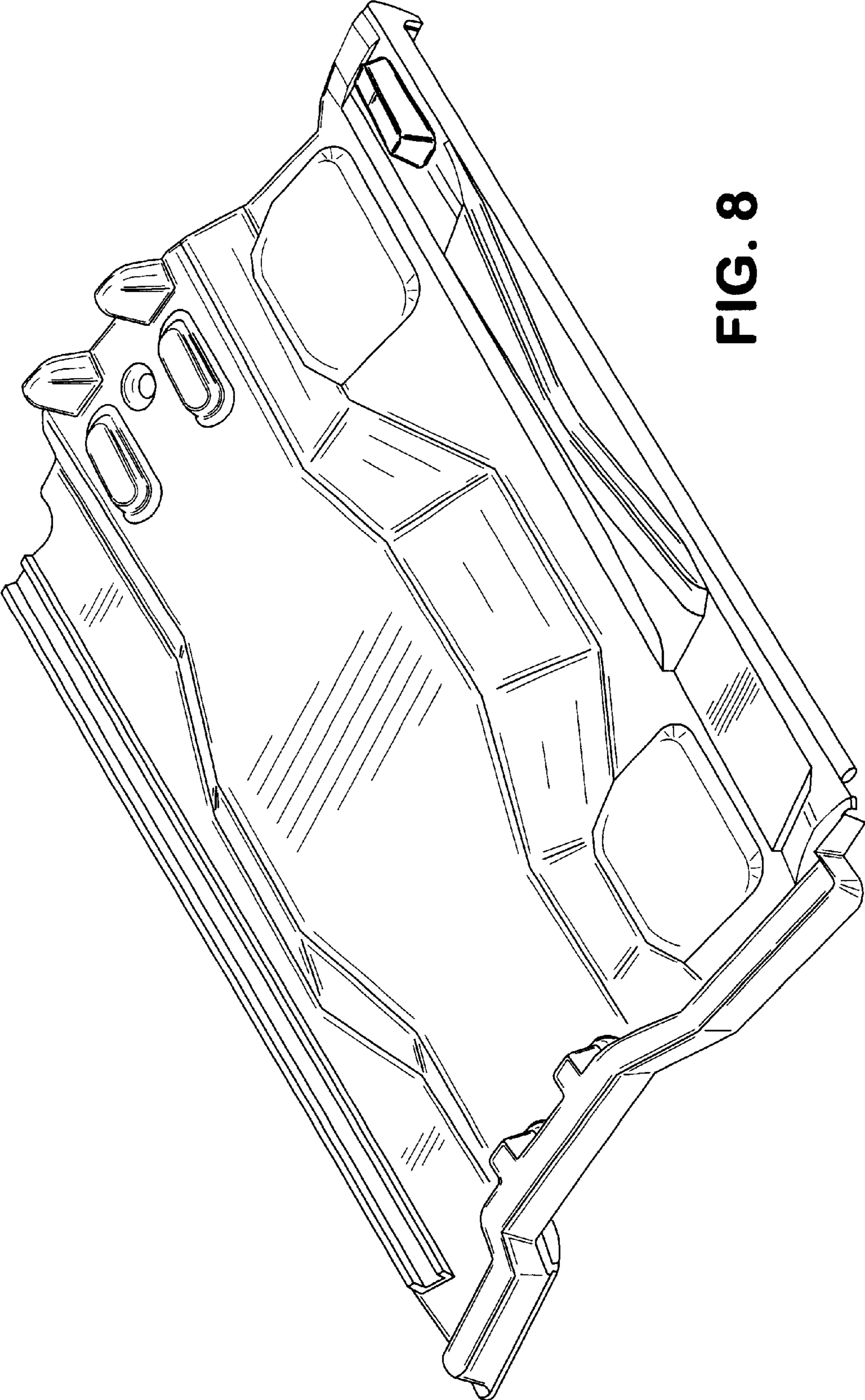
**FIG. 5**



**FIG. 6**



**FIG. 7**



**FIG. 8**